



US00D652562S

(12) **United States Design Patent**
Yoshida et al.

(10) **Patent No.:** **US D652,562 S**
(45) **Date of Patent:** **** Jan. 17, 2012**

(54) **LIGHTING FIXTURE**

(75) Inventors: **Kazufumi Yoshida**, Kanagawa (JP);
Junichiro Yamamoto, Kanagawa (JP);
Shizuka Ishida, Kanagawa (JP)

(73) Assignees: **Toshiba Lighting & Technology Corporation**, Kanagawa (JP);
Kabushiki Kaisha Toshiba, Tokyo (JP)

(**) Term: **14 Years**

(21) Appl. No.: **29/385,953**

(22) Filed: **Feb. 23, 2011**

(30) **Foreign Application Priority Data**

Aug. 27, 2010 (JP) 2010-020703

(51) **LOC (9) Cl.** **26-03**

(52) **U.S. Cl.** **D26/89**

(58) **Field of Classification Search** D26/72,
D26/75, 76, 79, 80, 83, 85, 86, 88, 89, 91,
D26/120, 134-136; 362/147, 294, 351, 356,
362/453-457, 404-408, 432, 249.02
See application file for complete search history.

(56) **References Cited**

U.S. PATENT DOCUMENTS

D60,716 S *	3/1922	Ainsworth	D26/88
D63,887 S *	2/1924	Dickerson	D26/131
D67,935 S *	8/1925	Ullman	D26/89
1,735,997 A *	11/1929	Doae	362/305
D87,377 S *	7/1932	Andrews	D26/88
1,894,583 A *	1/1933	Ferree et al.	362/291
D169,972 S *	7/1953	Glatthar et al.	D26/89
D435,901 S *	1/2001	Tsuji	D23/411

D478,185 S *	8/2003	Brunner	D26/128
D514,733 S *	2/2006	Benensohn	D26/89
D544,623 S *	6/2007	Pickett	D26/59
D567,429 S *	4/2008	Pickett	D26/89
D607,138 S *	12/2009	Pickett	D26/89
D638,158 S *	5/2011	Glasbrenner	D26/59
D639,496 S *	6/2011	Wada et al.	D26/120
D639,497 S *	6/2011	Ogawa et al.	D26/120

FOREIGN PATENT DOCUMENTS

JP	D1384099	4/2010
JP	D1384100	4/2010
JP	D1385266	4/2010
JP	D1385267	4/2010
JP	D1385672	6/2010

* cited by examiner

Primary Examiner — Clare E Heflin

(74) *Attorney, Agent, or Firm* — J.C. Patents

(57) **CLAIM**

The ornamental design for a lighting fixture, as shown and described.

DESCRIPTION

FIG. 1 is a perspective view of a lighting fixture showing our new design;

FIG. 2 is a front view thereof, the rear view being identical to the front view;

FIG. 3 is a right side view thereof, the left side view being identical to the right side view;

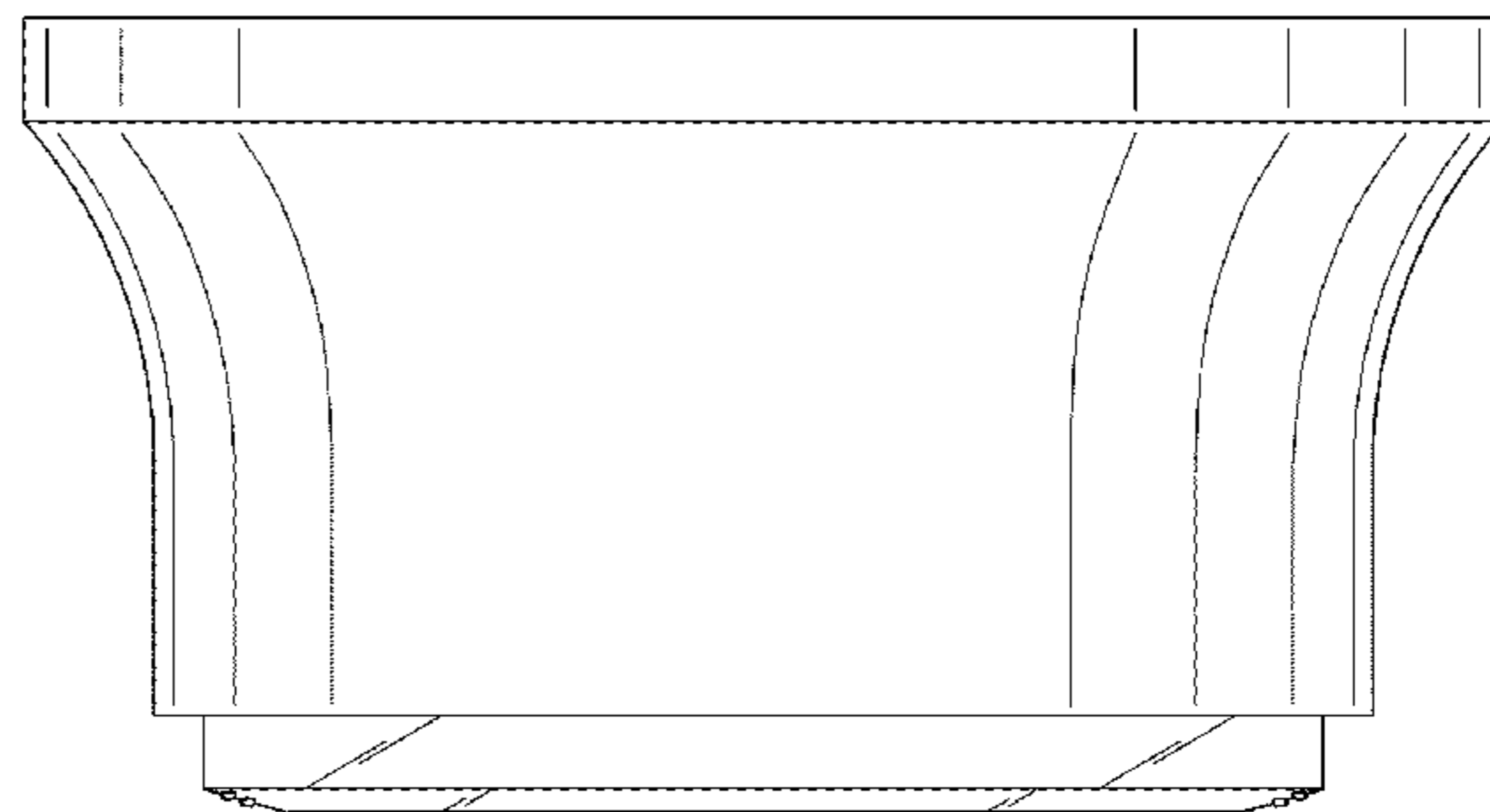
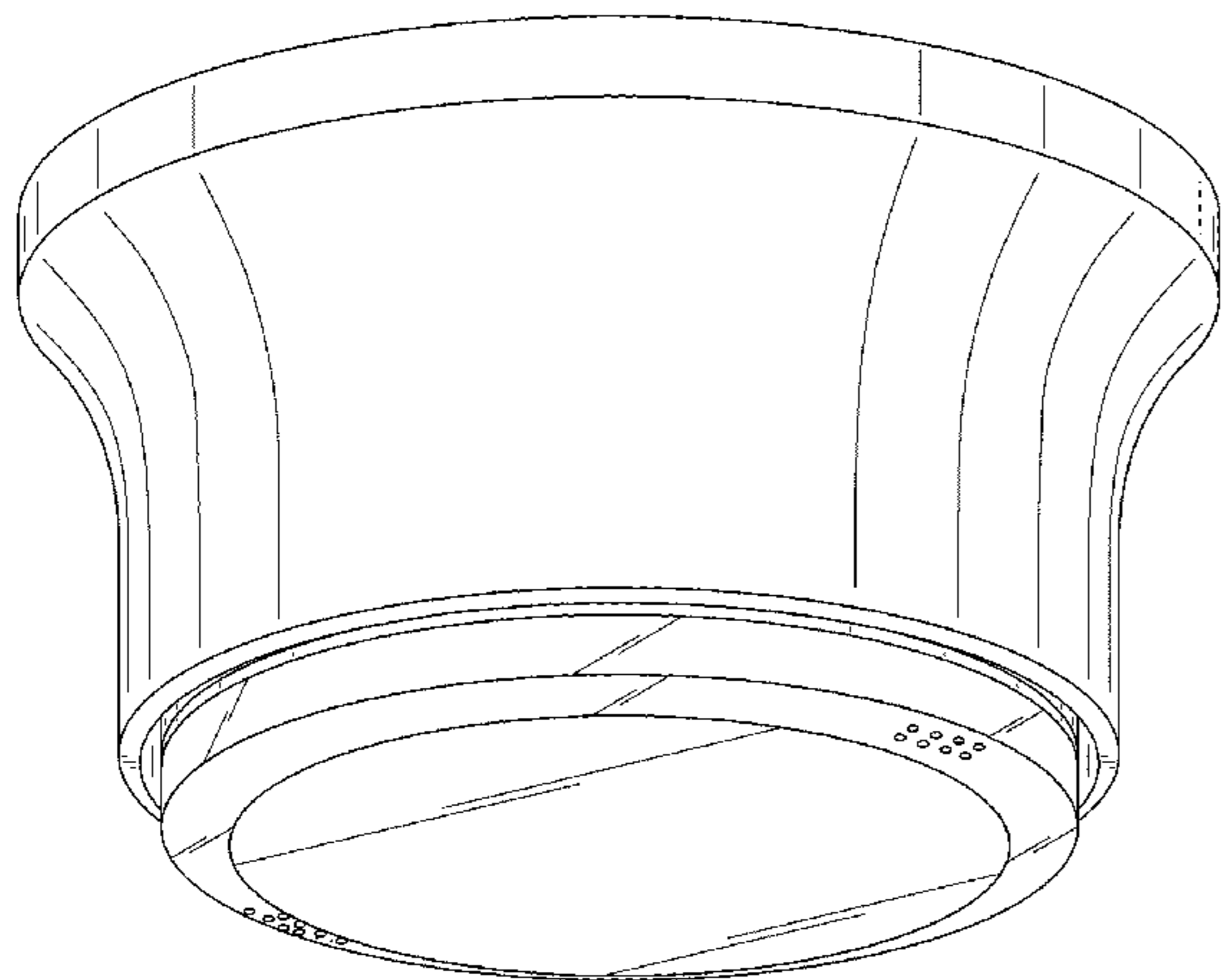
FIG. 4 is a top view thereof;

FIG. 5 is a bottom view thereof; and,

FIG. 6 is an enlarged cross-sectional view taken along line 6-6 in FIG. 3.

The portion shown in double cross-hatched lines in FIG. 6 is pervious to light.

1 Claim, 6 Drawing Sheets



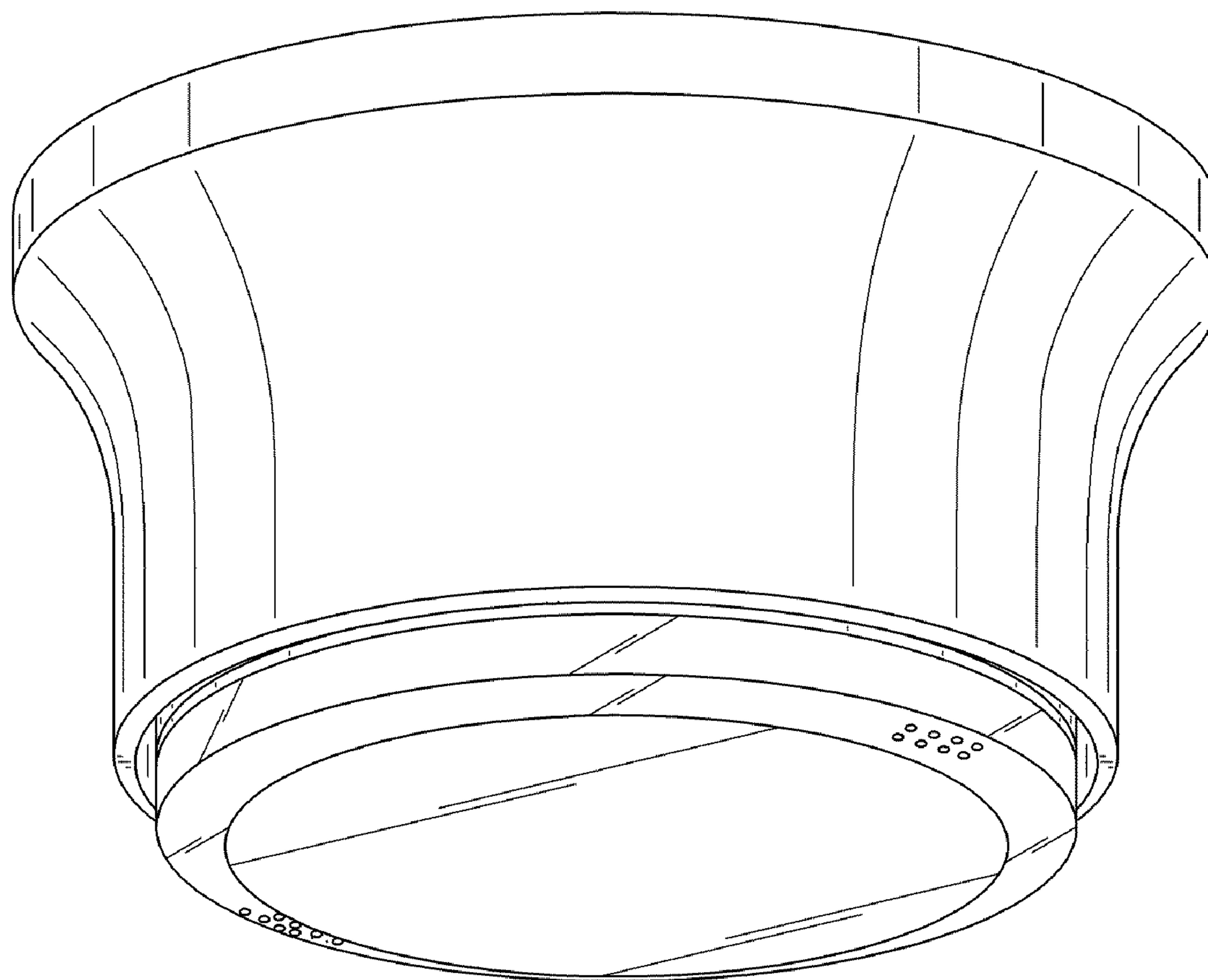


FIG. 1

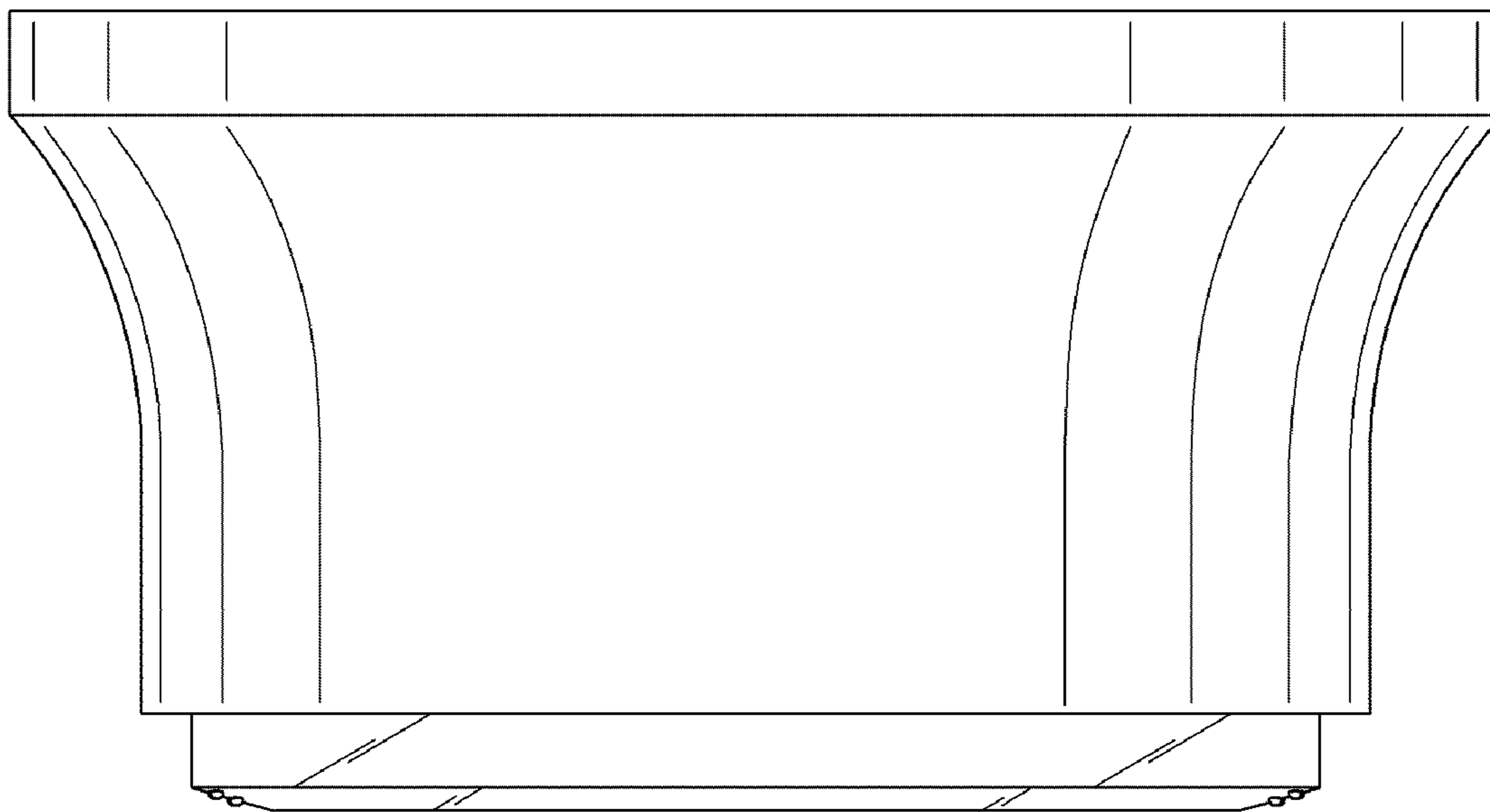


FIG. 2

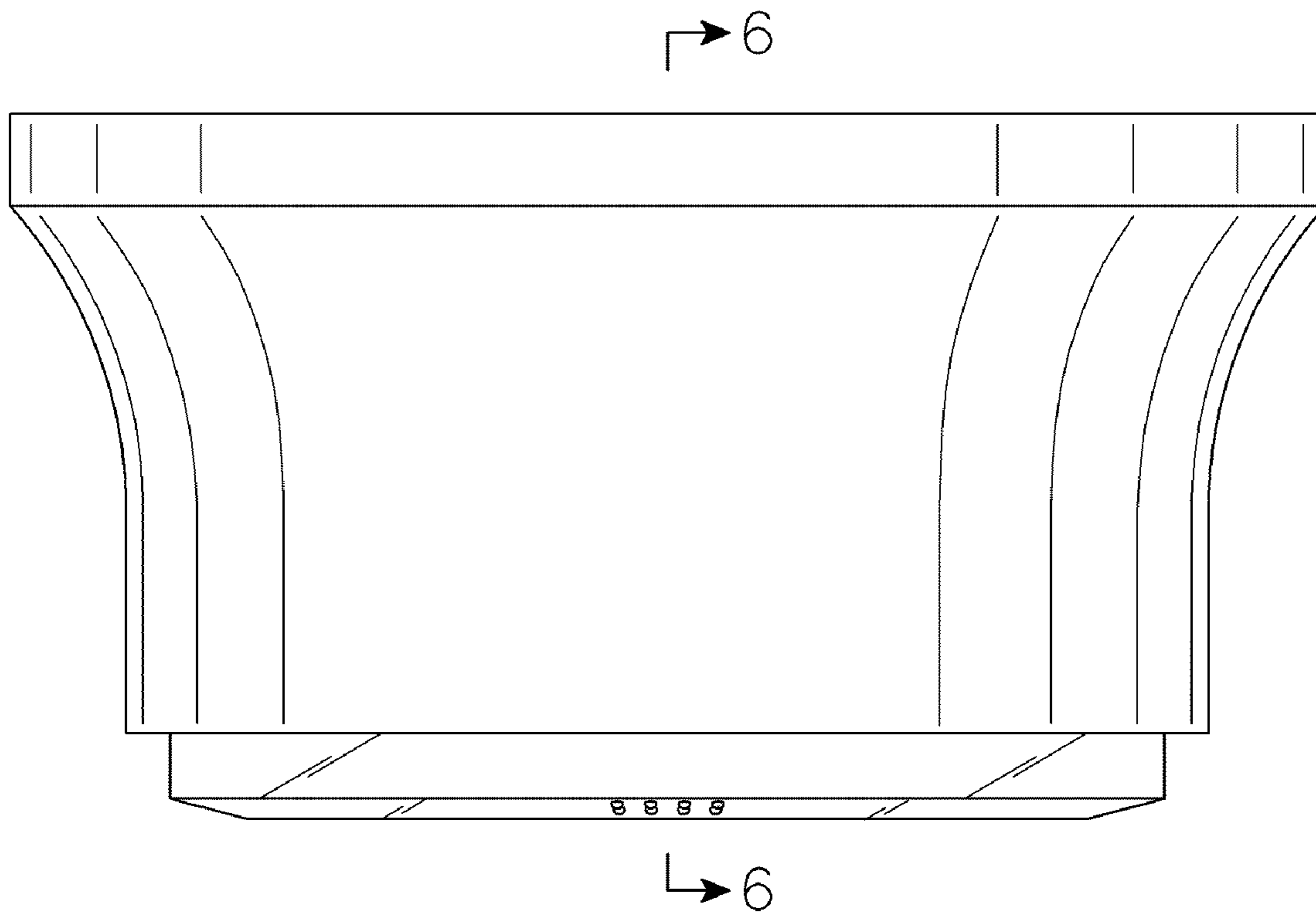


FIG. 3

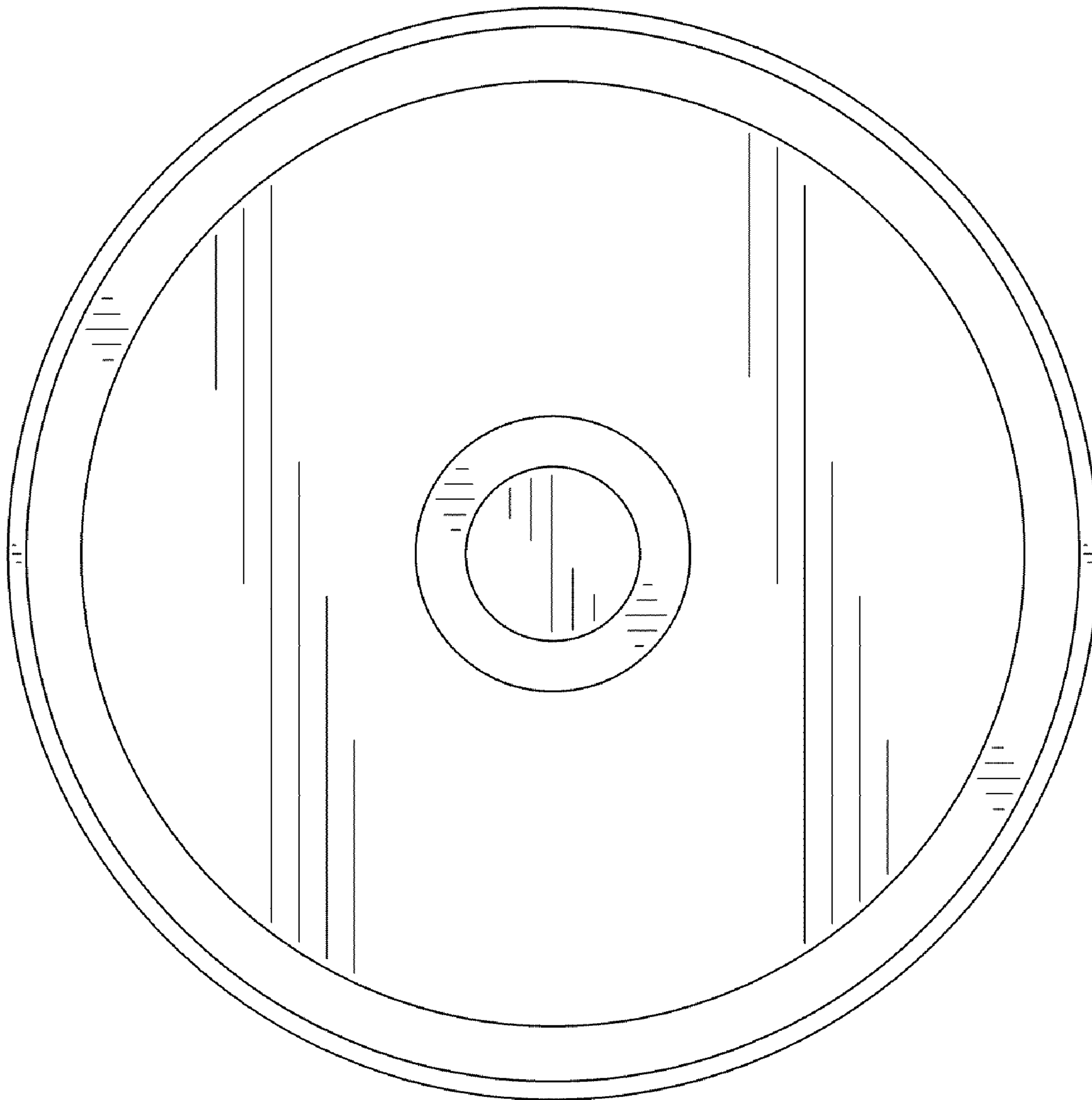


FIG. 4

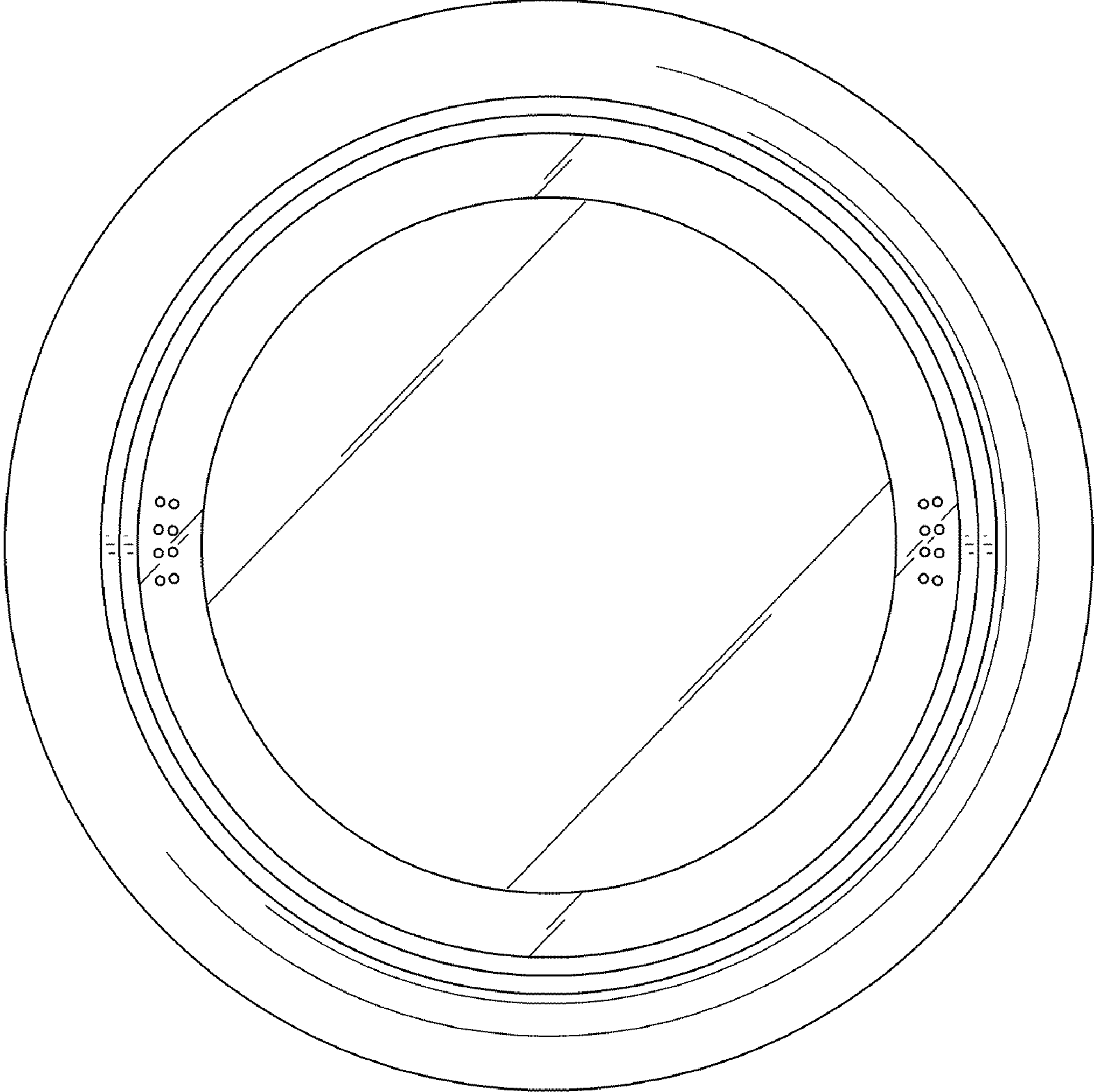


FIG. 5

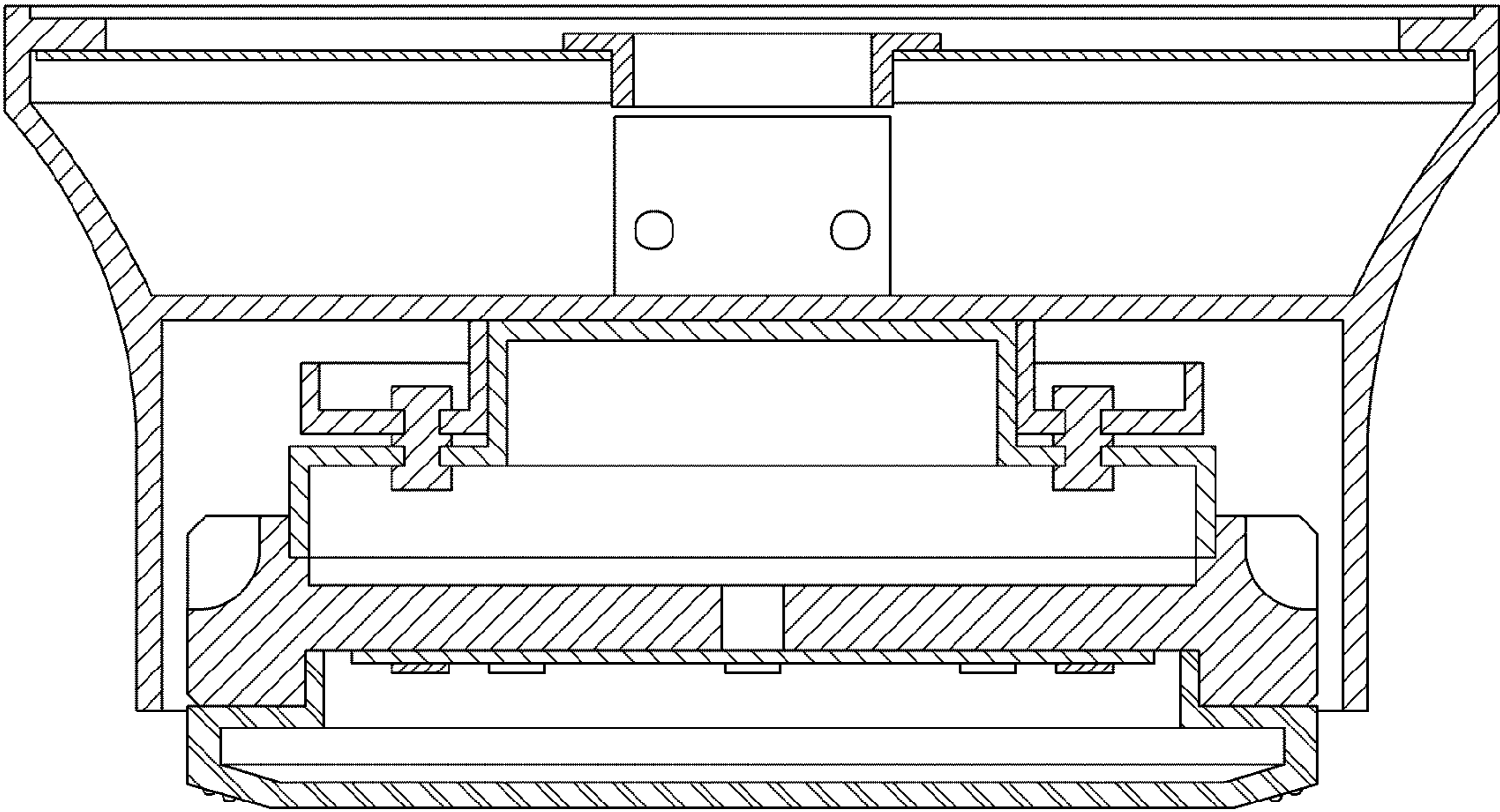


FIG. 6