

US00D652561S

(12) **United States Design Patent**  
**Chen**

(10) **Patent No.:** **US D652,561 S**  
(45) **Date of Patent:** **\*\* Jan. 17, 2012**

(54) **MOSAIC LAMP**

(75) Inventor: **Chi Gon Chen**, Guang Zhou (CN)

(73) Assignee: **International Development LLC**,  
Roanoke, TX (US)

(\*\*) Term: **14 Years**

(21) Appl. No.: **29/391,480**

(22) Filed: **May 9, 2011**

(51) **LOC (9) Cl.** ..... **26-03**

(52) **U.S. Cl.** ..... **D26/87; D26/85**

(58) **Field of Classification Search** ..... D26/67,  
D26/68, 72, 85, 87, 92; 362/147, 183, 404-408,  
362/431, 432

See application file for complete search history.

(56) **References Cited**

**U.S. PATENT DOCUMENTS**

|              |        |                |       |        |
|--------------|--------|----------------|-------|--------|
| D83,238 S *  | 2/1931 | McFadden       | ..... | D26/87 |
| D83,935 S *  | 4/1931 | Wing           | ..... | D26/87 |
| D84,097 S *  | 5/1931 | Van Gytenbeek  | ..... | D26/87 |
| D439,359 S * | 3/2001 | Feng           | ..... | D26/85 |
| D500,570 S * | 1/2005 | Tsai           | ..... | D26/87 |
| D522,164 S * | 5/2006 | Trivino et al. | ..... | D26/71 |

|              |         |          |       |         |
|--------------|---------|----------|-------|---------|
| D534,297 S * | 12/2006 | Chen     | ..... | D26/87  |
| D588,294 S * | 3/2009  | Flores   | ..... | D26/85  |
| D601,746 S * | 10/2009 | Sabernig | ..... | D26/120 |

\* cited by examiner

*Primary Examiner* — Clare E Heflin

(74) *Attorney, Agent, or Firm* — Brian Harris

(57) **CLAIM**

The ornamental design for mosaic lamp, as shown and described.

**DESCRIPTION**

FIG. 1 is a perspective view of the mosaic lamp of the present invention, with a wall attachment shown in phantom;

FIG. 2 is a front elevation view thereof, with a wall attachment shown in phantom;

FIG. 3 is a rear elevation view thereof, with a wall attachment shown in phantom;

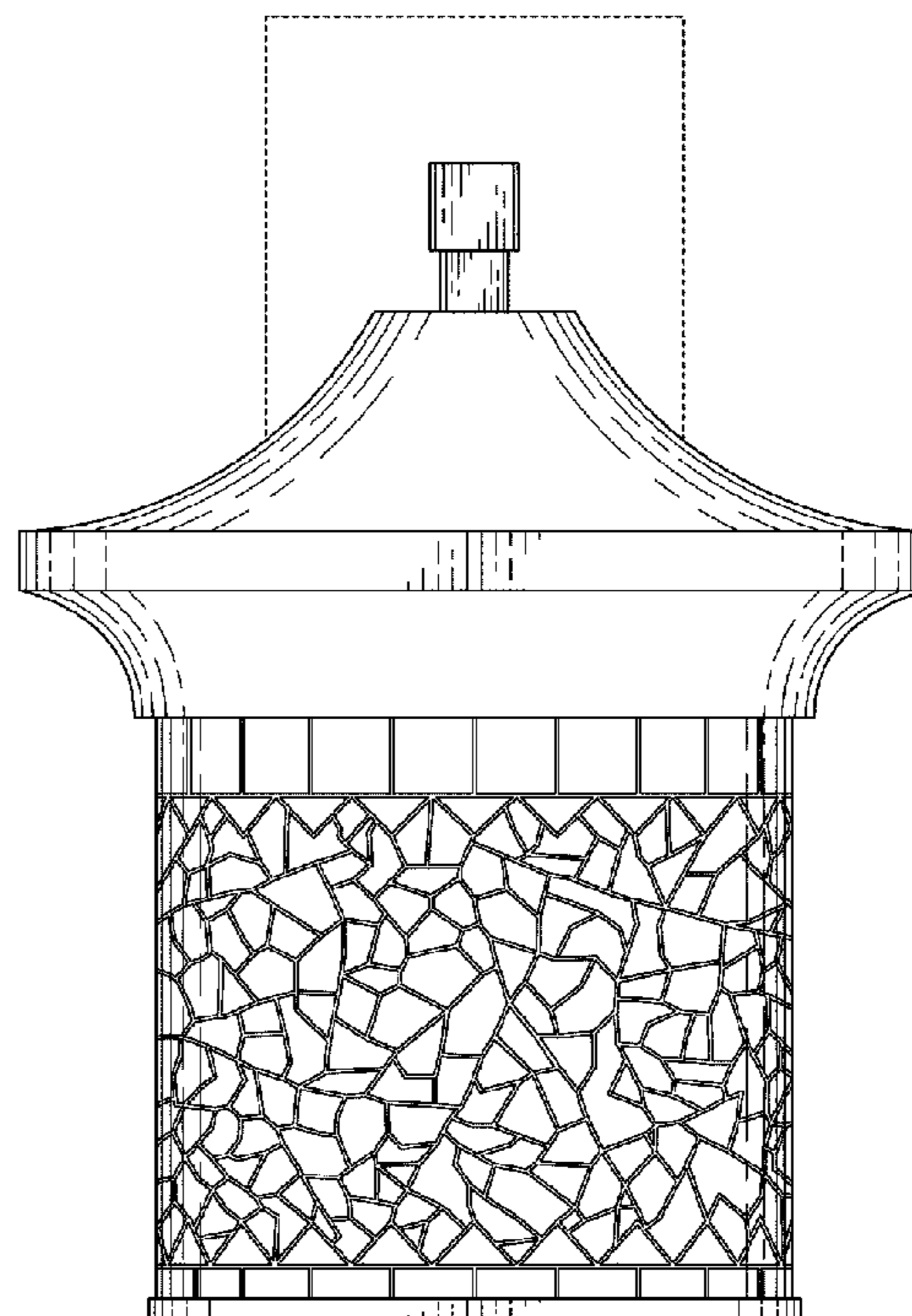
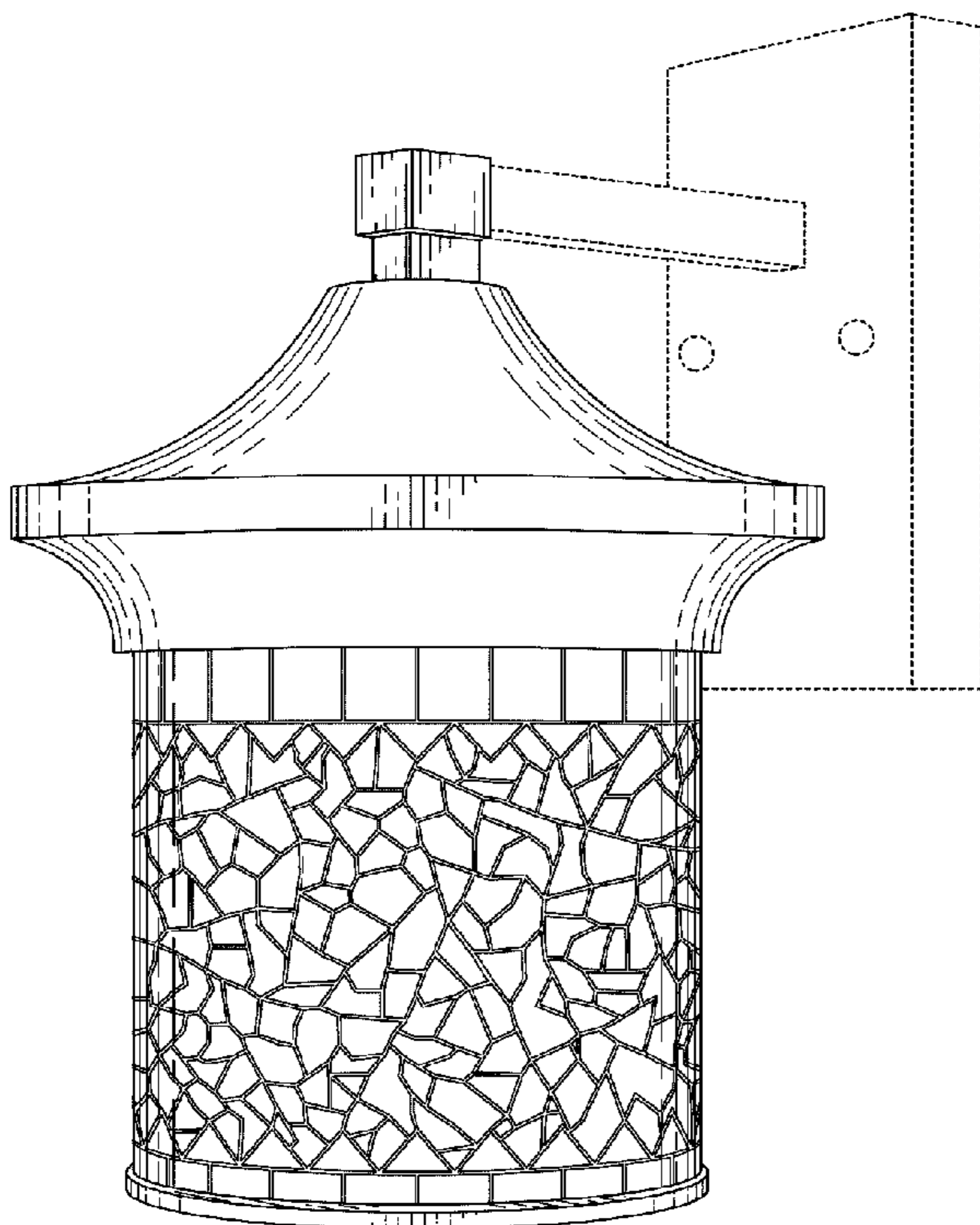
FIG. 4 is a right side elevation view thereof, with a wall attachment shown in phantom, the left side elevation view being a mirror image thereof;

FIG. 5 is a top plan view thereof, with a wall attachment shown in phantom; and,

FIG. 6 is a bottom plan view thereof, with a wall attachment shown in phantom.

The broken lines are shown in the views for illustrative purposes only and form no part of the claimed design.

**1 Claim, 3 Drawing Sheets**



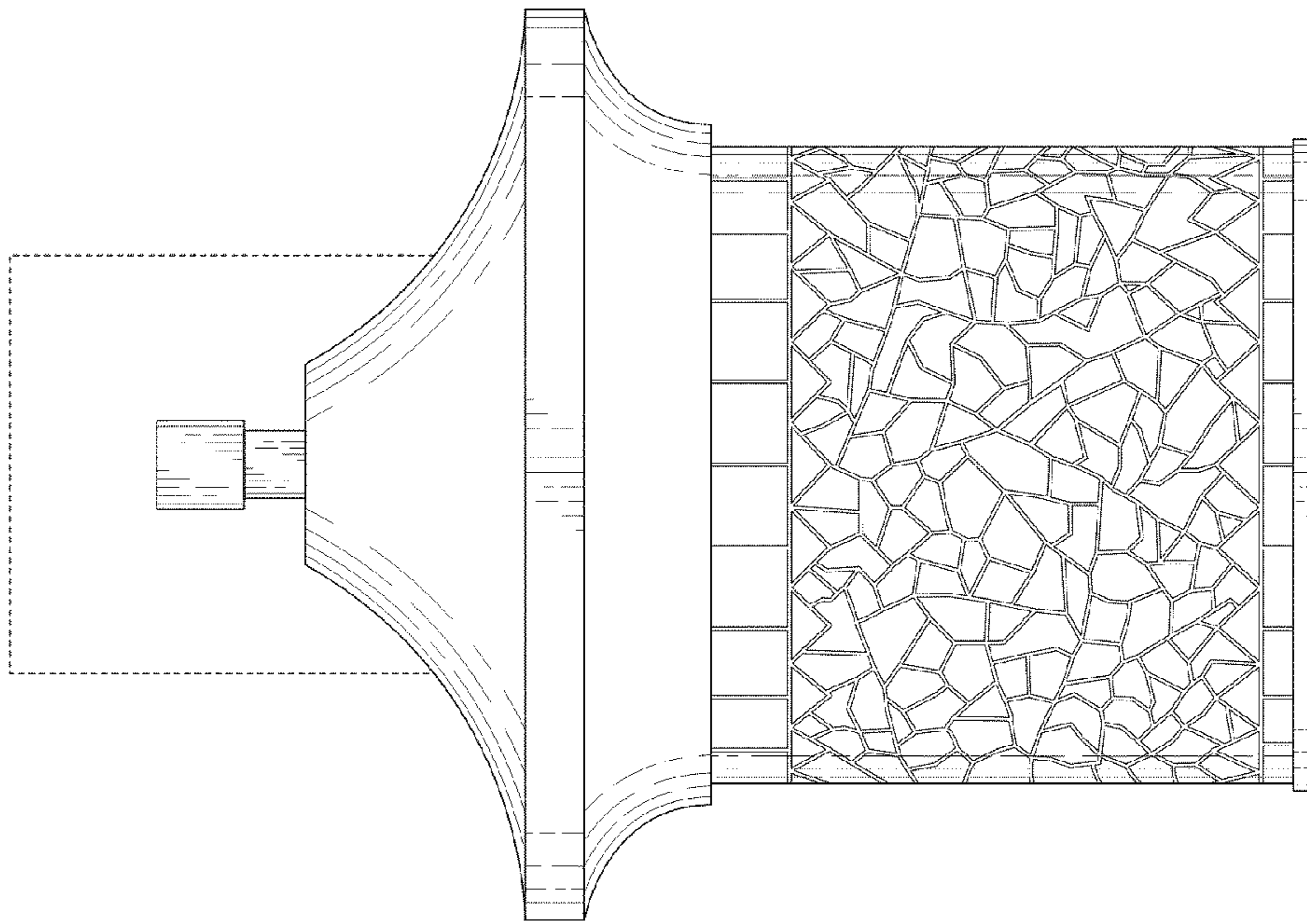


FIG. 2

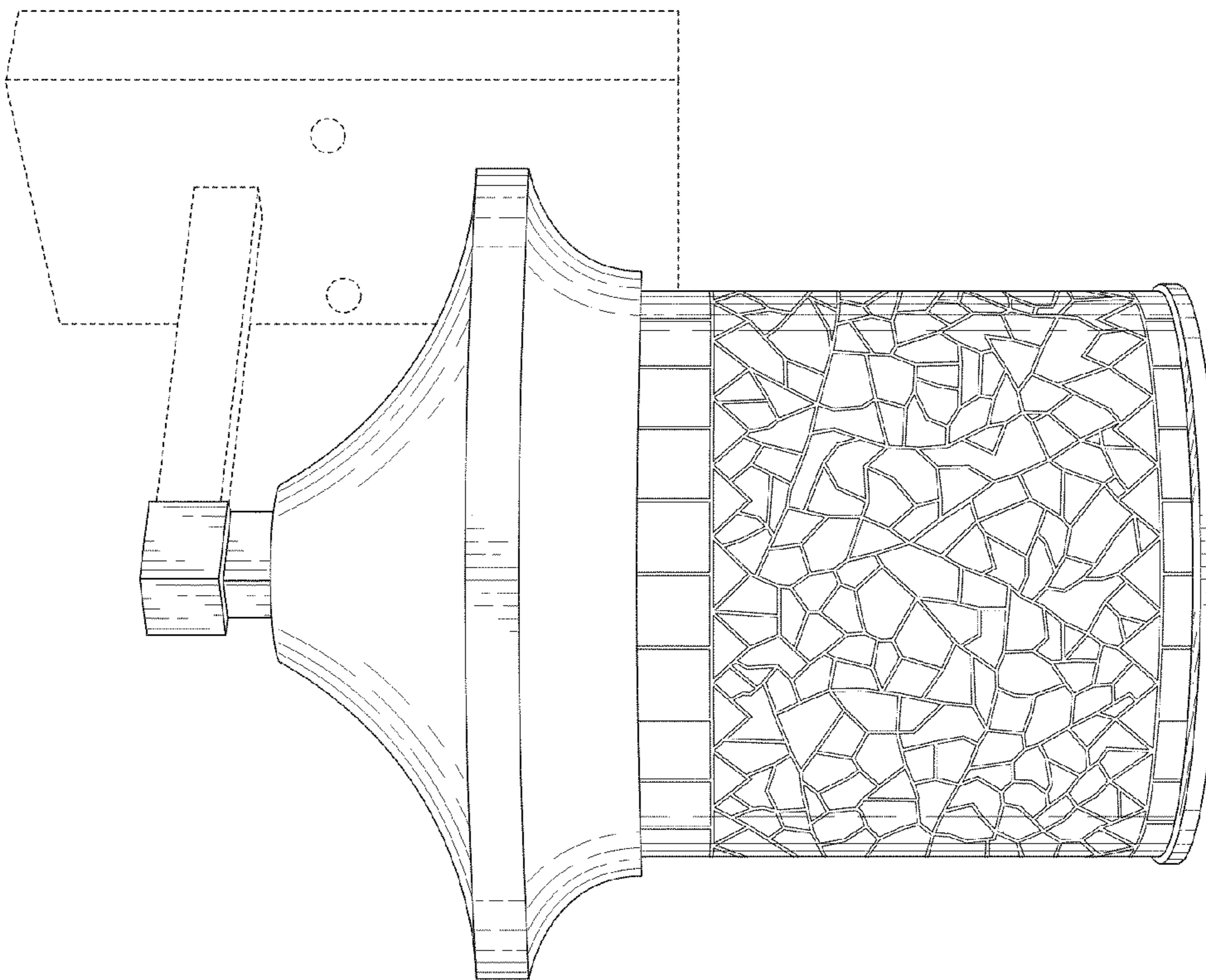


FIG. 1

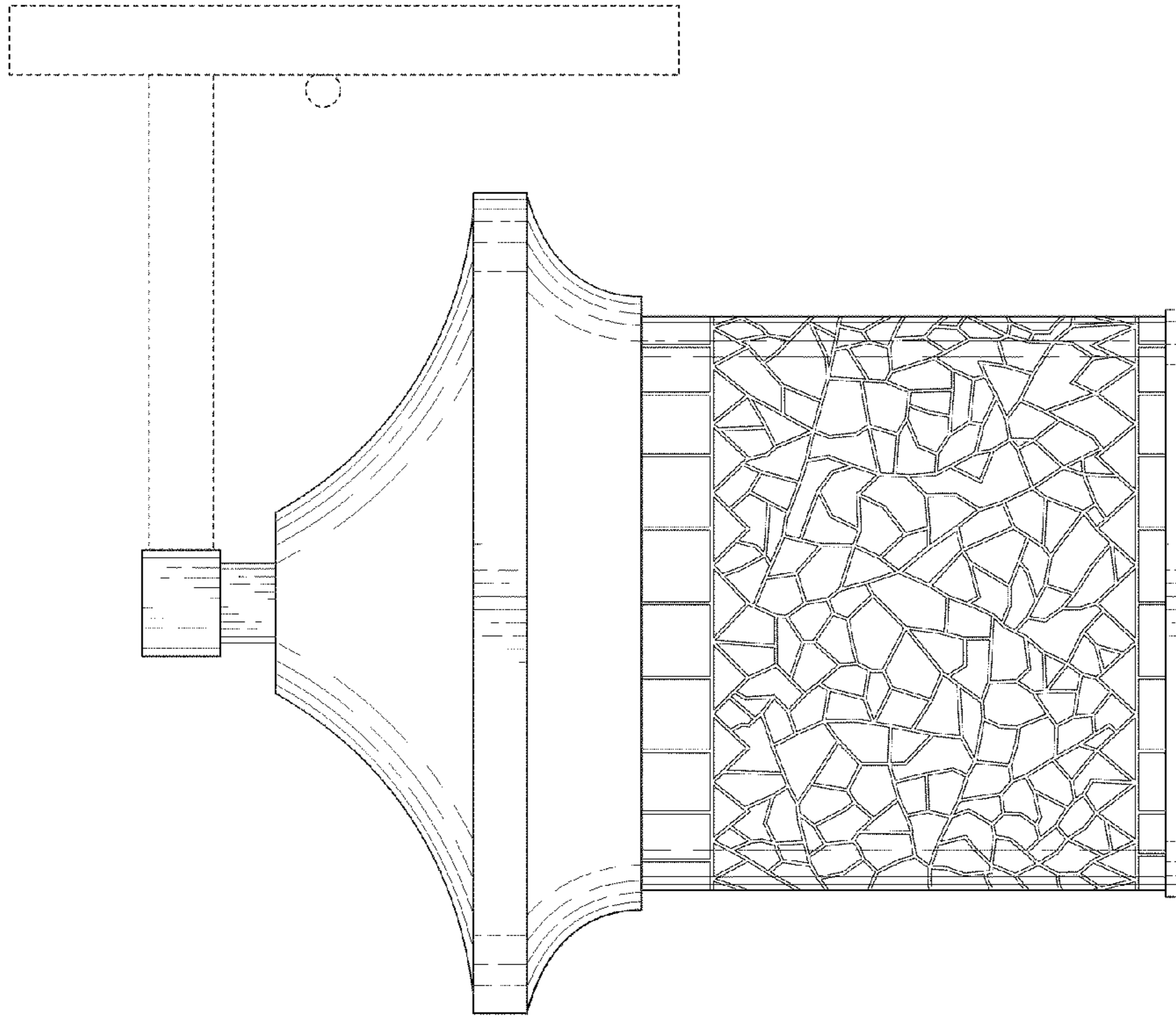


FIG. 4

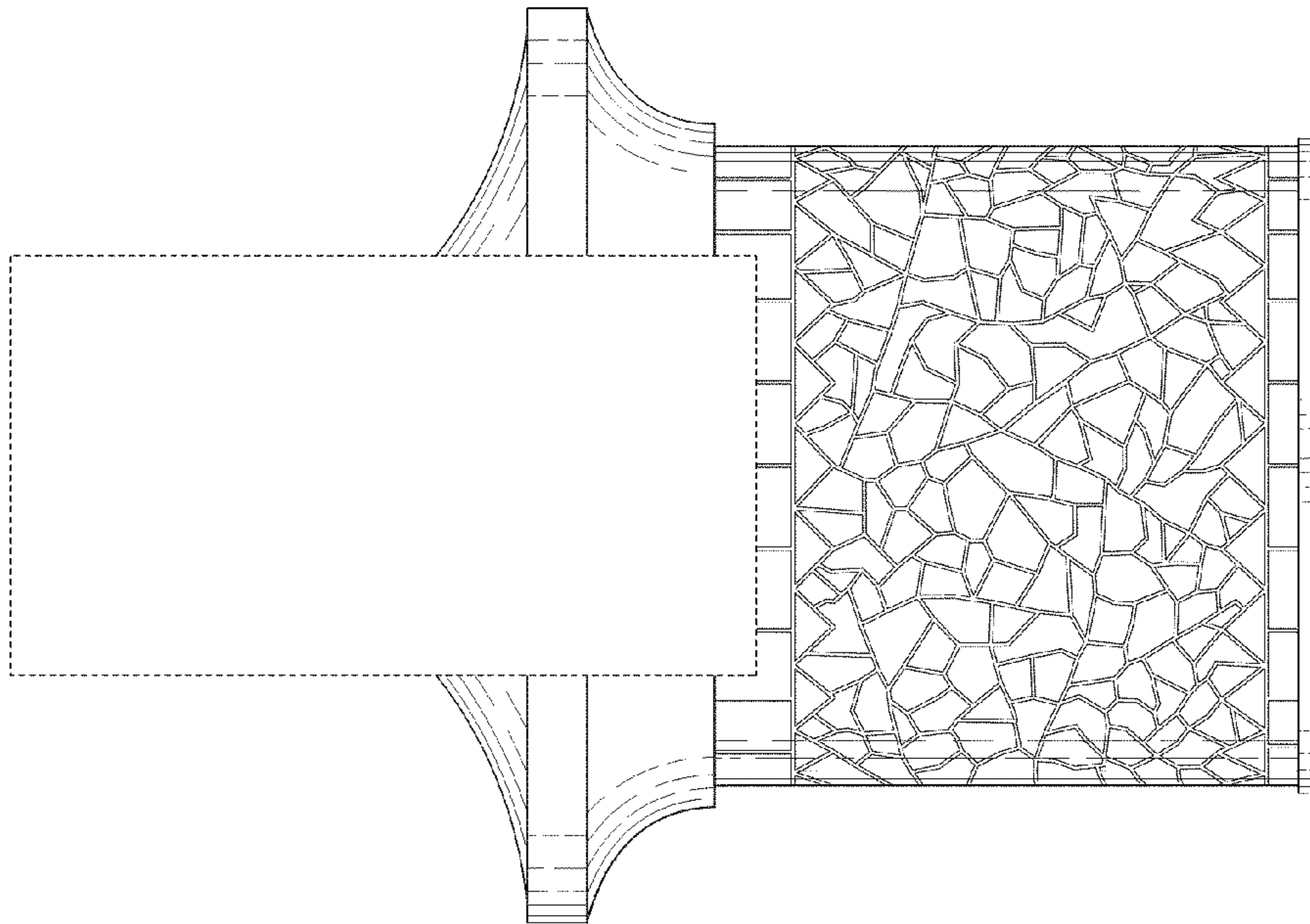


FIG. 3

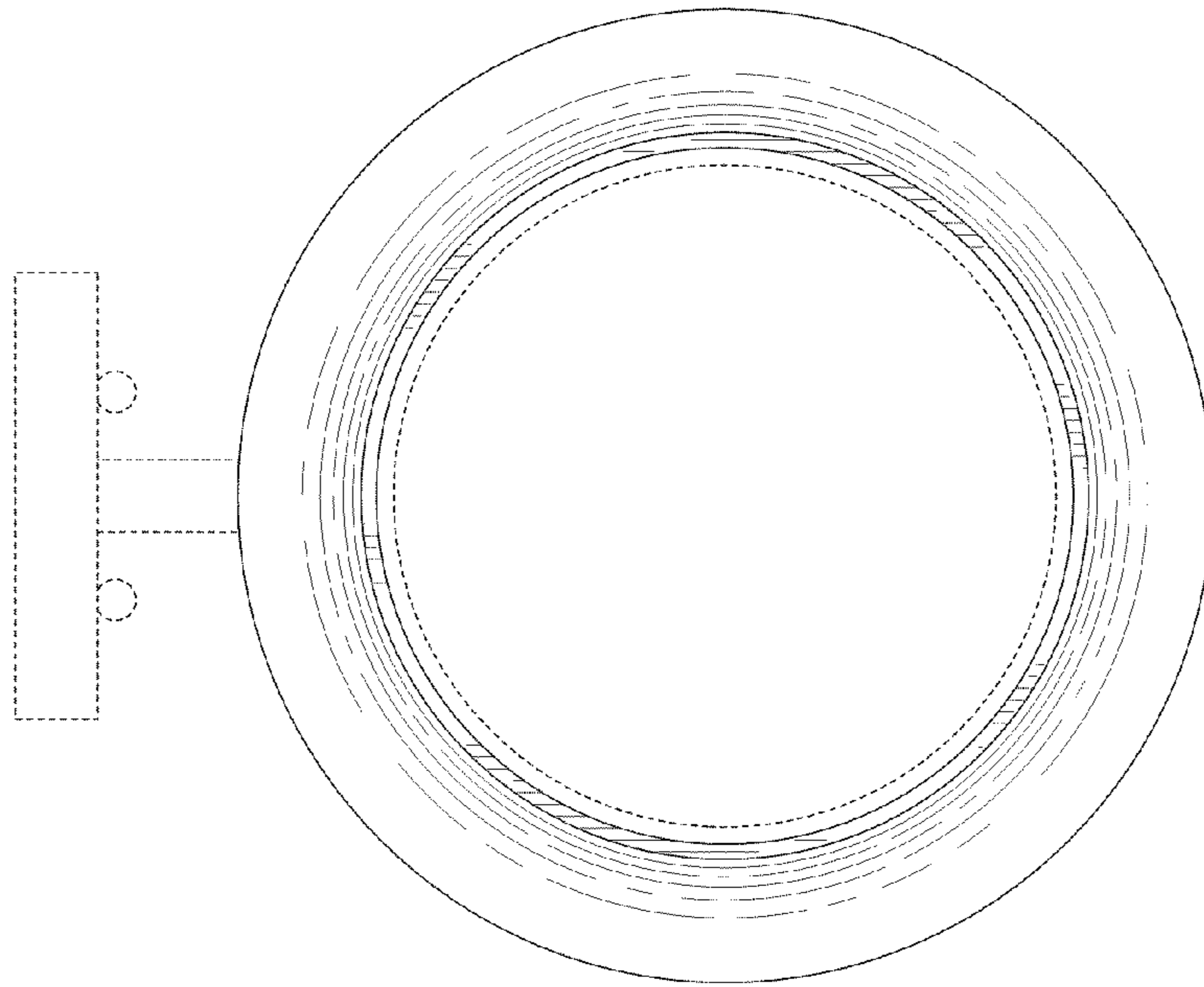


FIG. 6

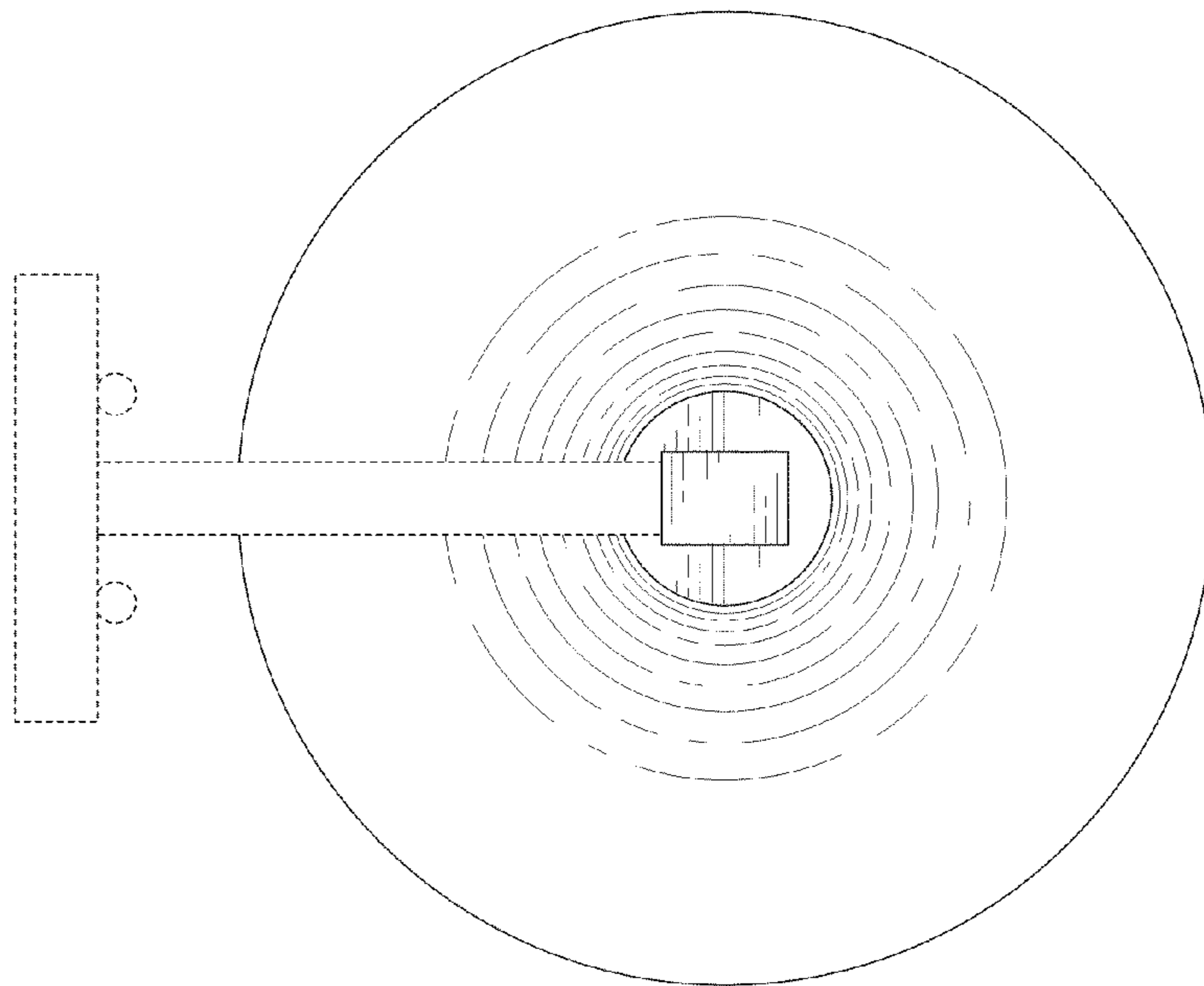


FIG. 5