



US00D652560S

(12) **United States Design Patent**
Spaccasassi et al.

(10) **Patent No.:** **US D652,560 S**

(45) **Date of Patent:** **** Jan. 17, 2012**

(54) **LIGHTING APPARATUS**

(75) Inventors: **Claudio Spaccasassi**, Orbassano TO (IT); **Carlo Albano**, Turin (IT)

(73) Assignee: **Koninklijke Philips Electronics N.V.**, Eindhoven (NL)

(**) Term: **14 Years**

(21) Appl. No.: **29/363,894**

(22) Filed: **Jun. 16, 2010**

(30) **Foreign Application Priority Data**

Dec. 16, 2009 (EM) 001184717-0030

(51) **LOC (9) Cl.** **26-03**

(52) **U.S. Cl.** **D26/87**

(58) **Field of Classification Search** D26/63,
D26/68, 79, 85, 87, 92; 362/147, 404-408,
362/431, 432

See application file for complete search history.

(56) **References Cited**

U.S. PATENT DOCUMENTS

D74,129 S * 12/1927 Wagner D26/87
D75,438 S * 6/1928 Lindsay D26/87
D76,613 S * 10/1928 Gruber D26/87

D82,136 S * 9/1930 Chapman D26/87
D110,451 S * 7/1938 Arenberg D26/85
D124,182 S * 12/1940 McCann D26/87
D230,763 S * 3/1974 Homhostel D26/87
D261,558 S * 10/1981 Palka et al. D26/87
D261,560 S * 10/1981 Palka et al. D26/87
D536,821 S * 2/2007 Dolan D26/87
D570,522 S * 6/2008 Chandler D26/85
D606,701 S * 12/2009 Chandler D26/87
D608,489 S * 1/2010 Chandler D26/87

* cited by examiner

Primary Examiner — Clare E Heflin

(57) **CLAIM**

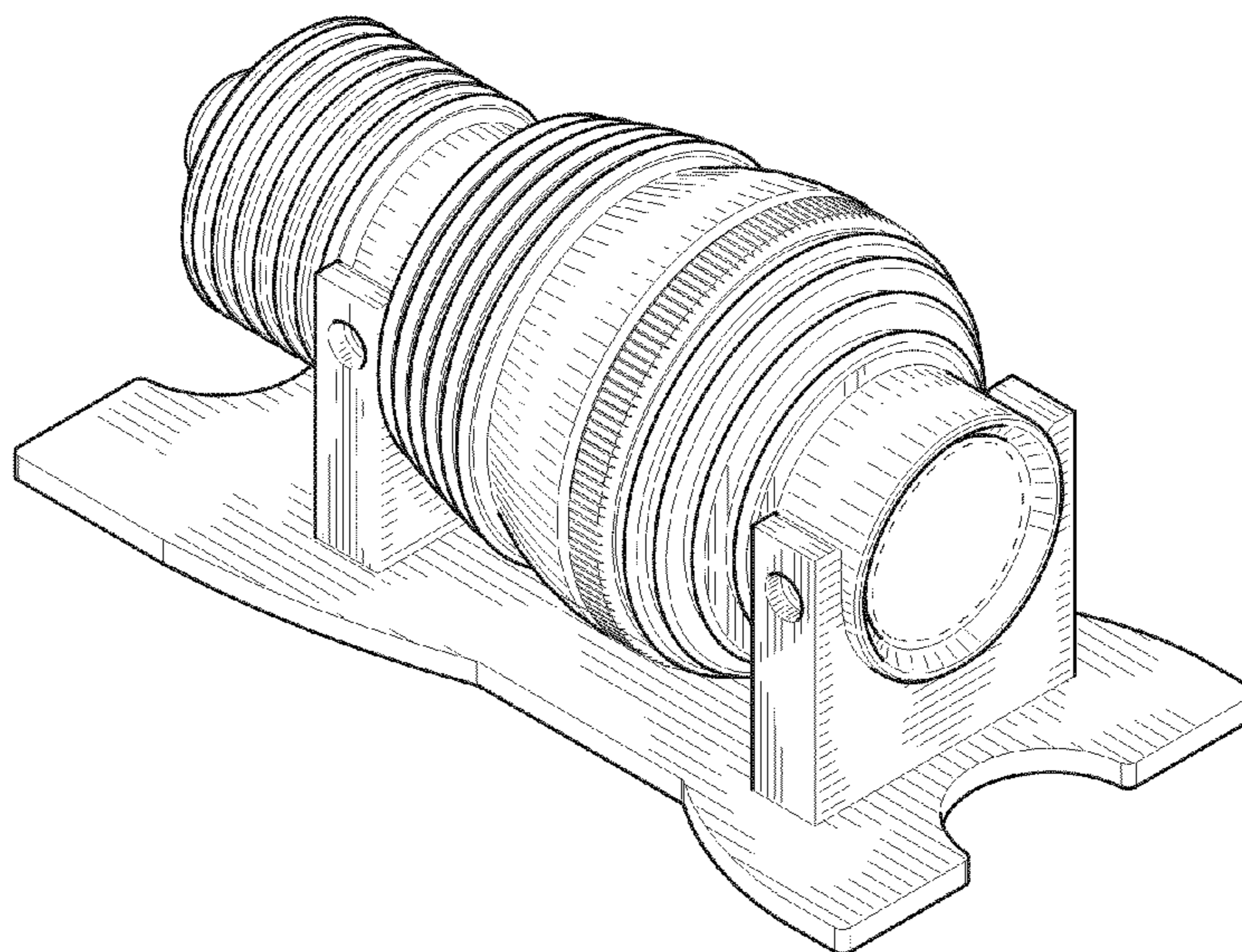
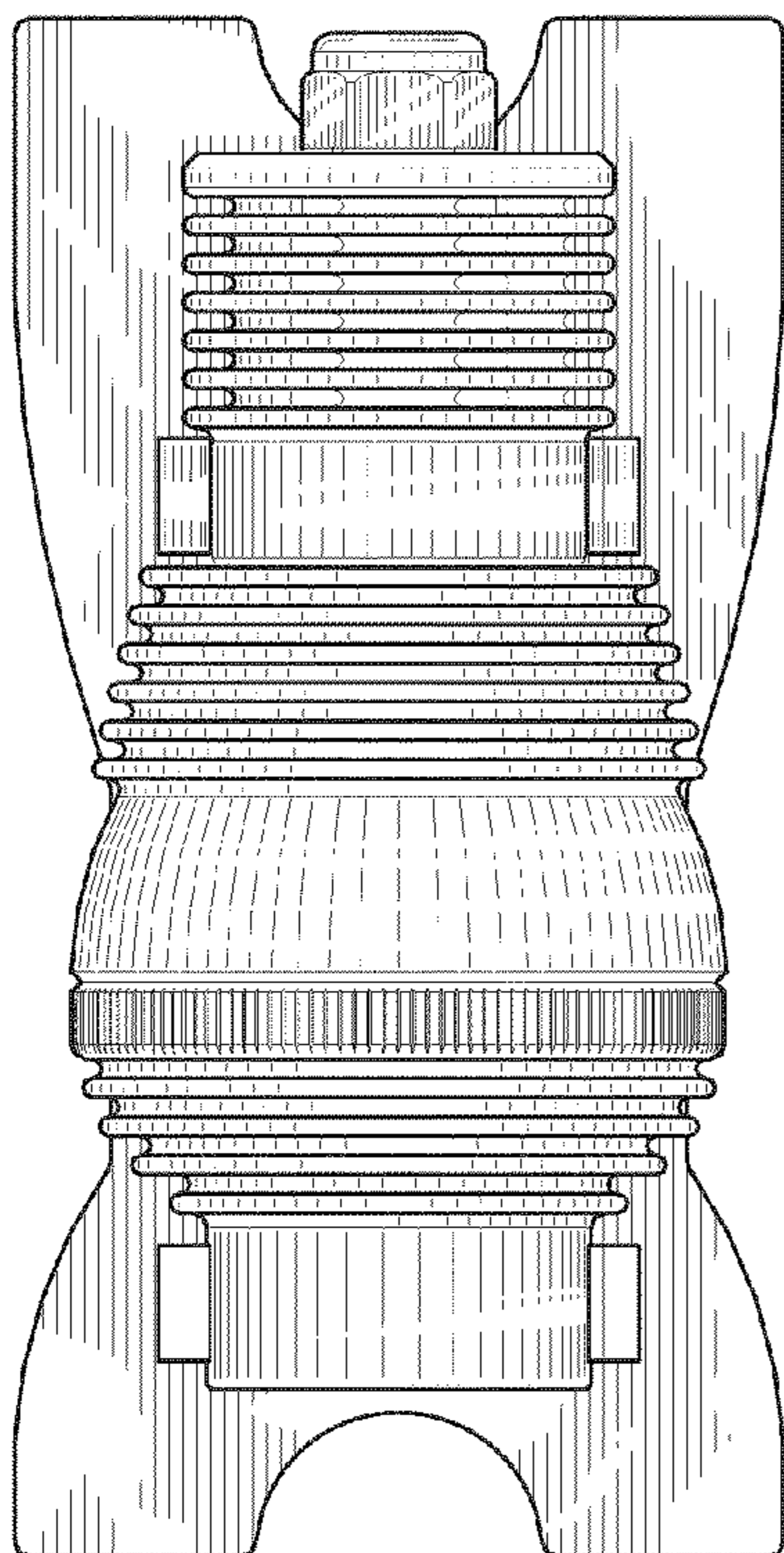
The ornamental design for a lighting apparatus, as shown and described.

DESCRIPTION

FIG. 1 is a front elevation view showing my design;
FIG. 2 is a rear elevation view thereof;
FIG. 3 is a right side elevation view thereof;
FIG. 4 is a bottom plan view thereof;
FIG. 5 is a left side elevation view thereof;
FIG. 6 is a top plan view thereof; and,
FIG. 7 is a perspective view thereof.

The broken lines shown on the drawings depict environment only and form no part of the claimed design.

1 Claim, 5 Drawing Sheets



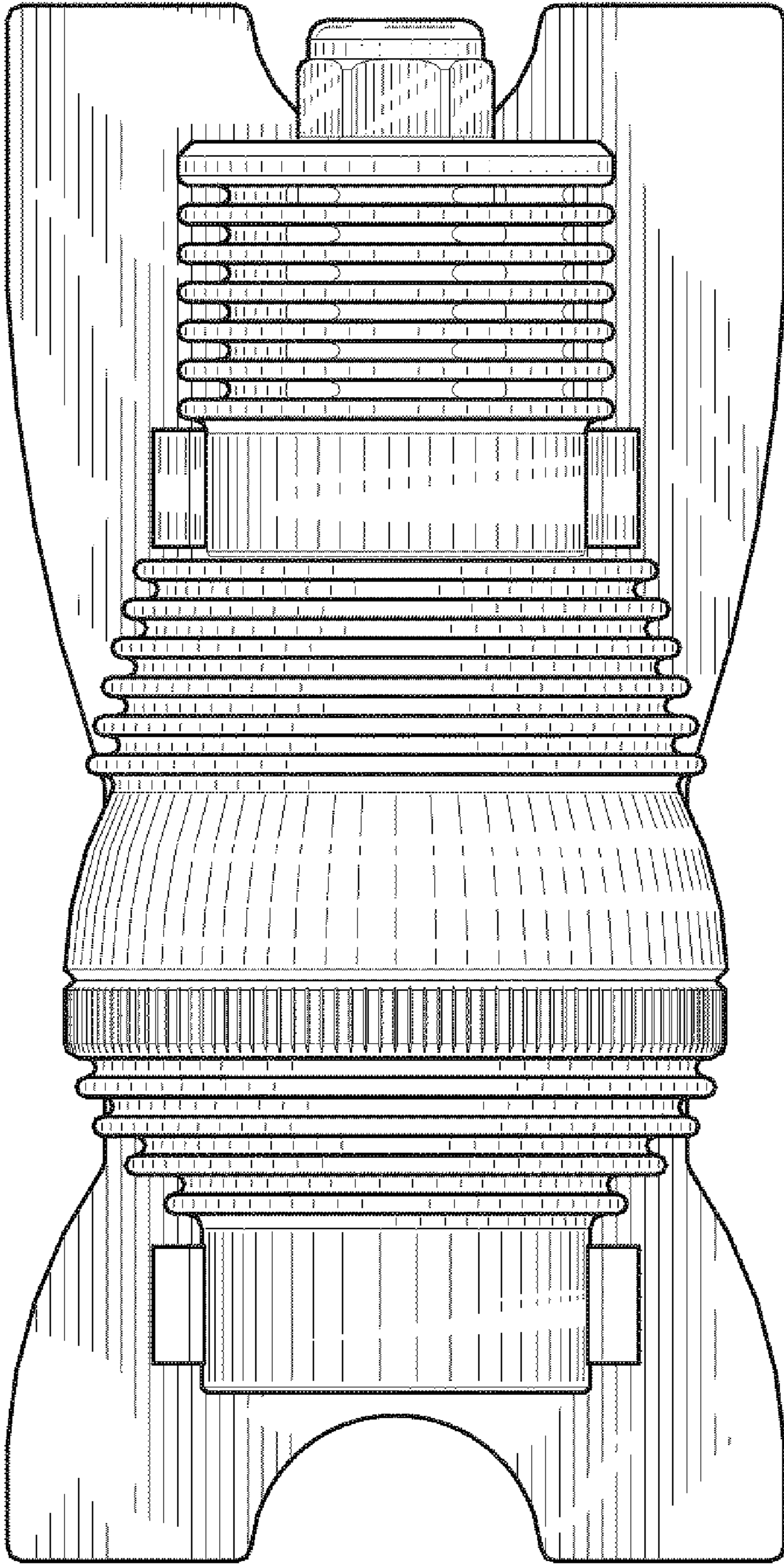


FIG. 1

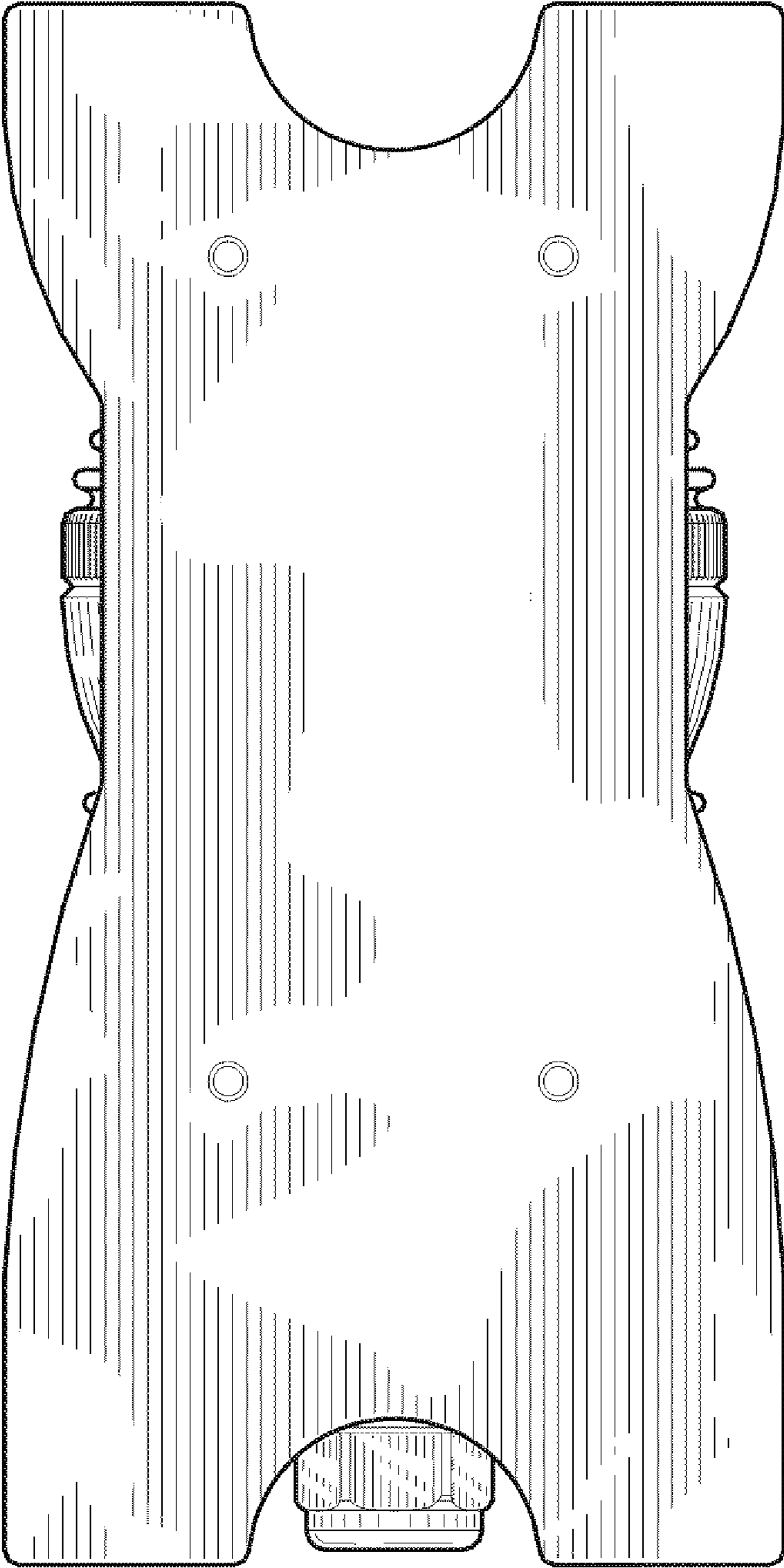


FIG.2

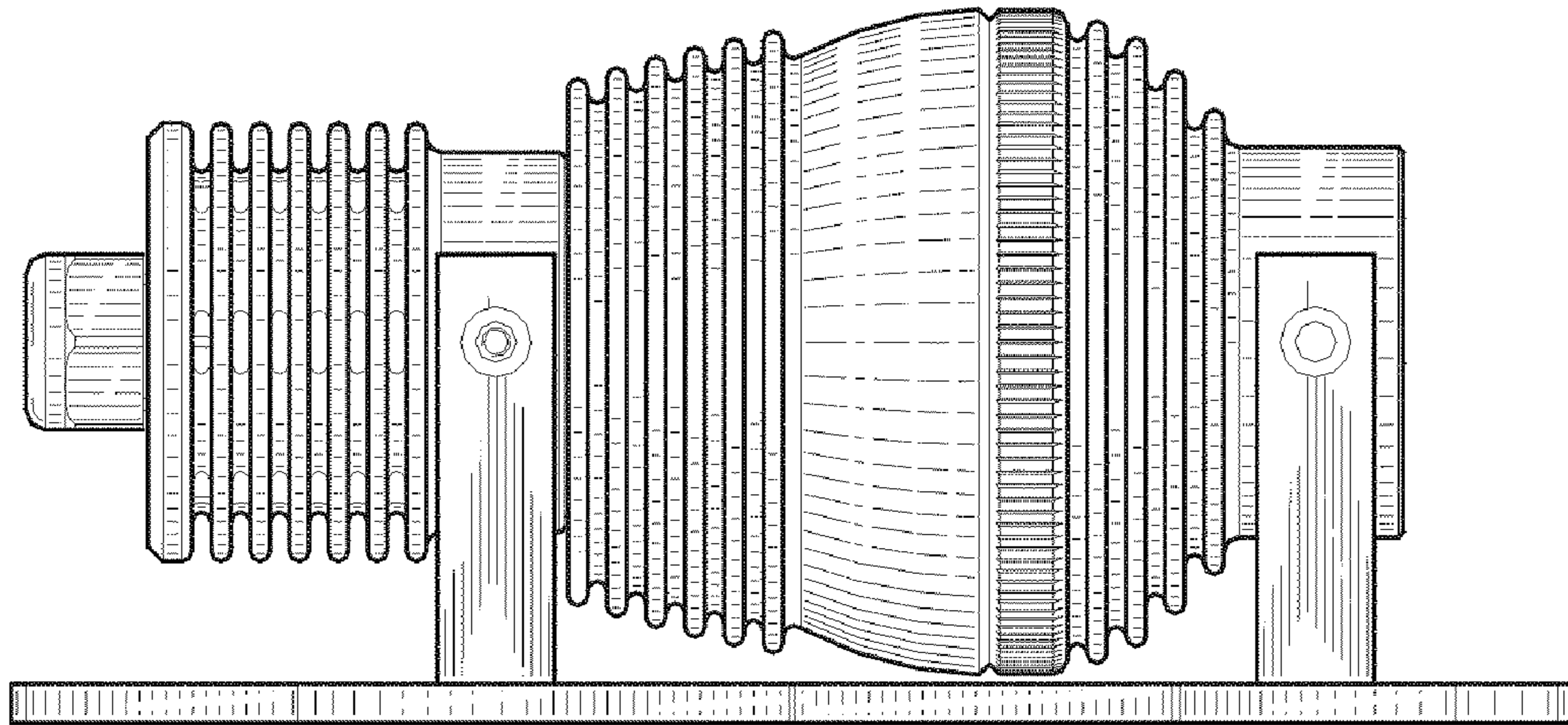


FIG. 3

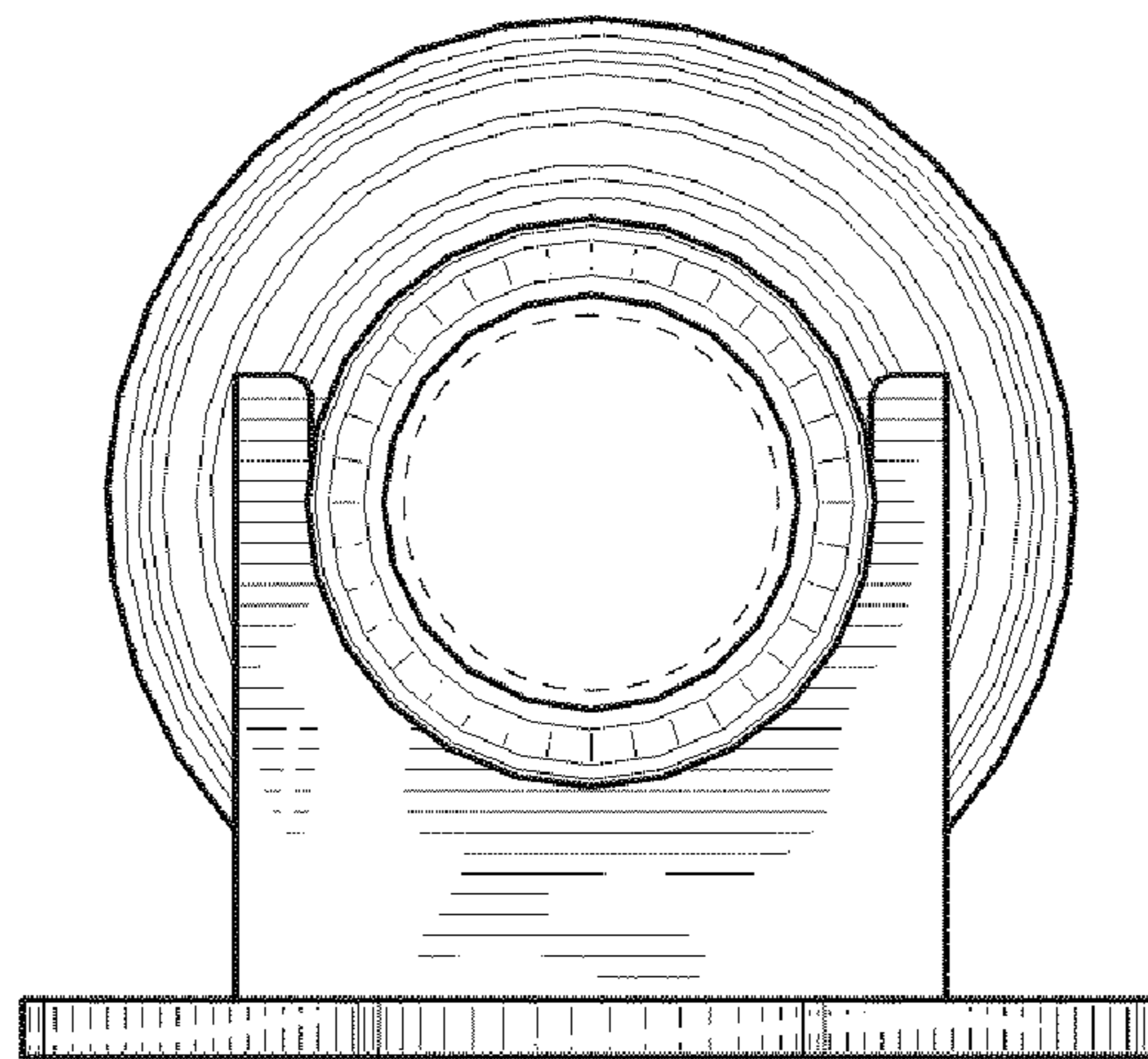


FIG. 4

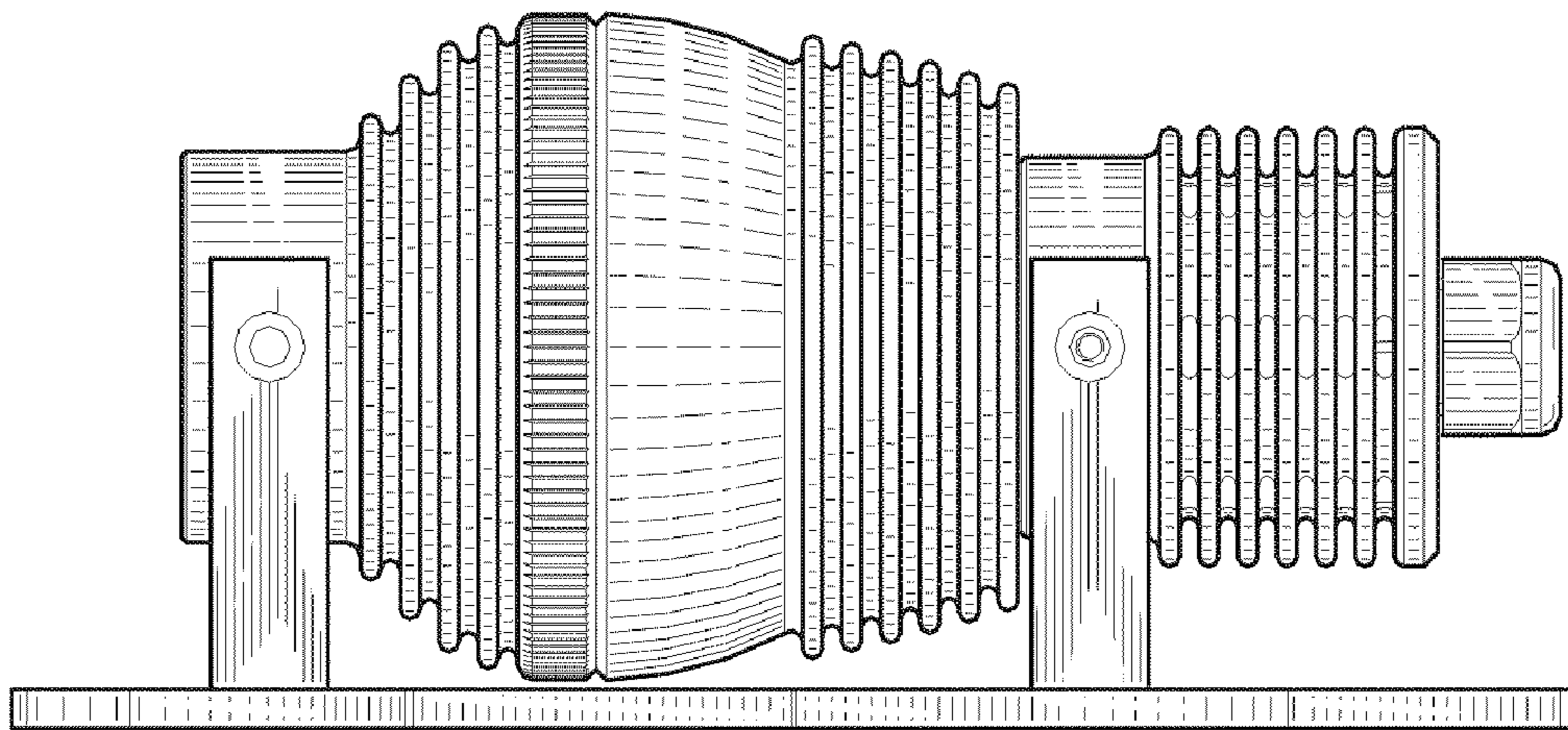


FIG. 5

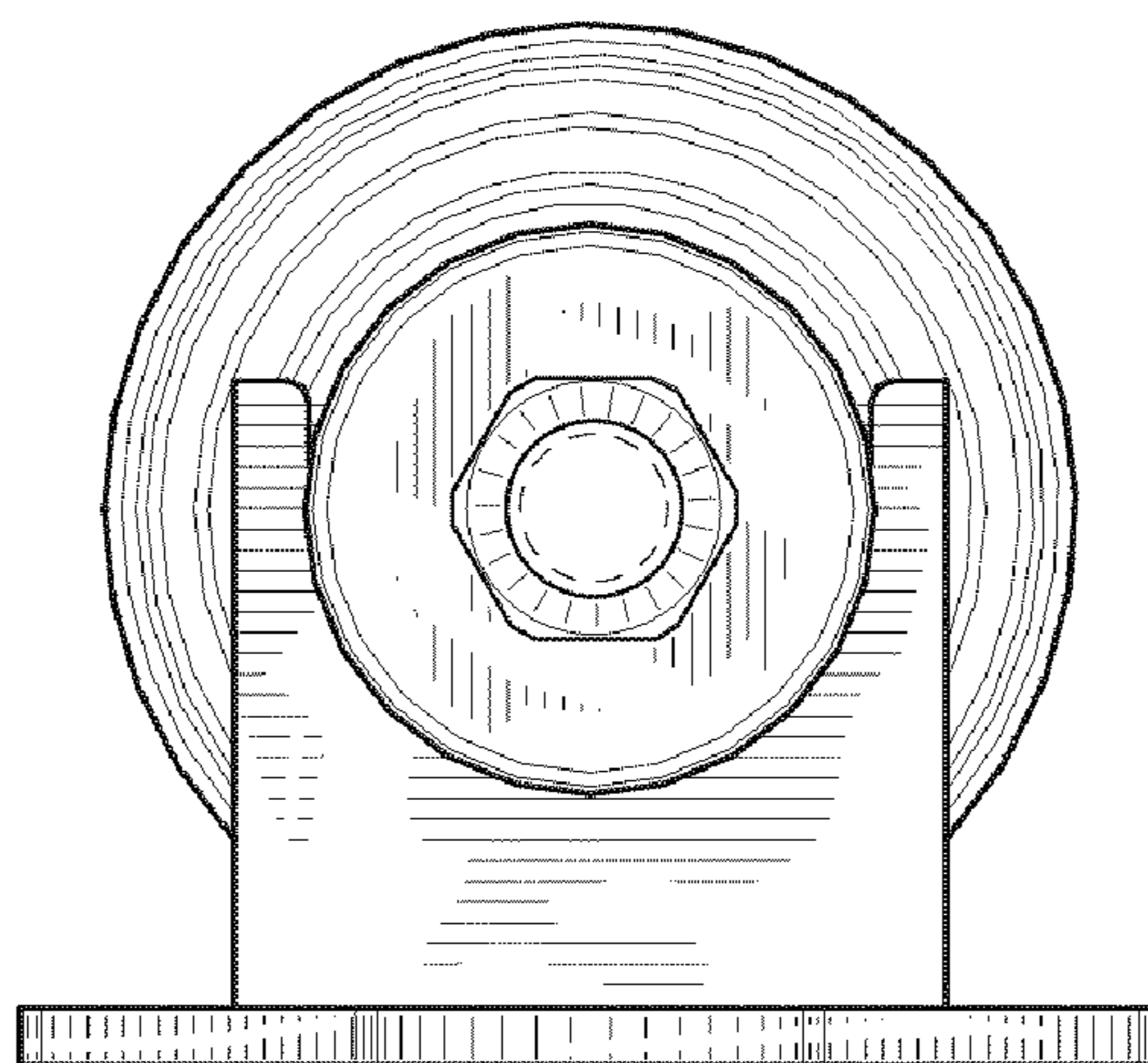


FIG. 6

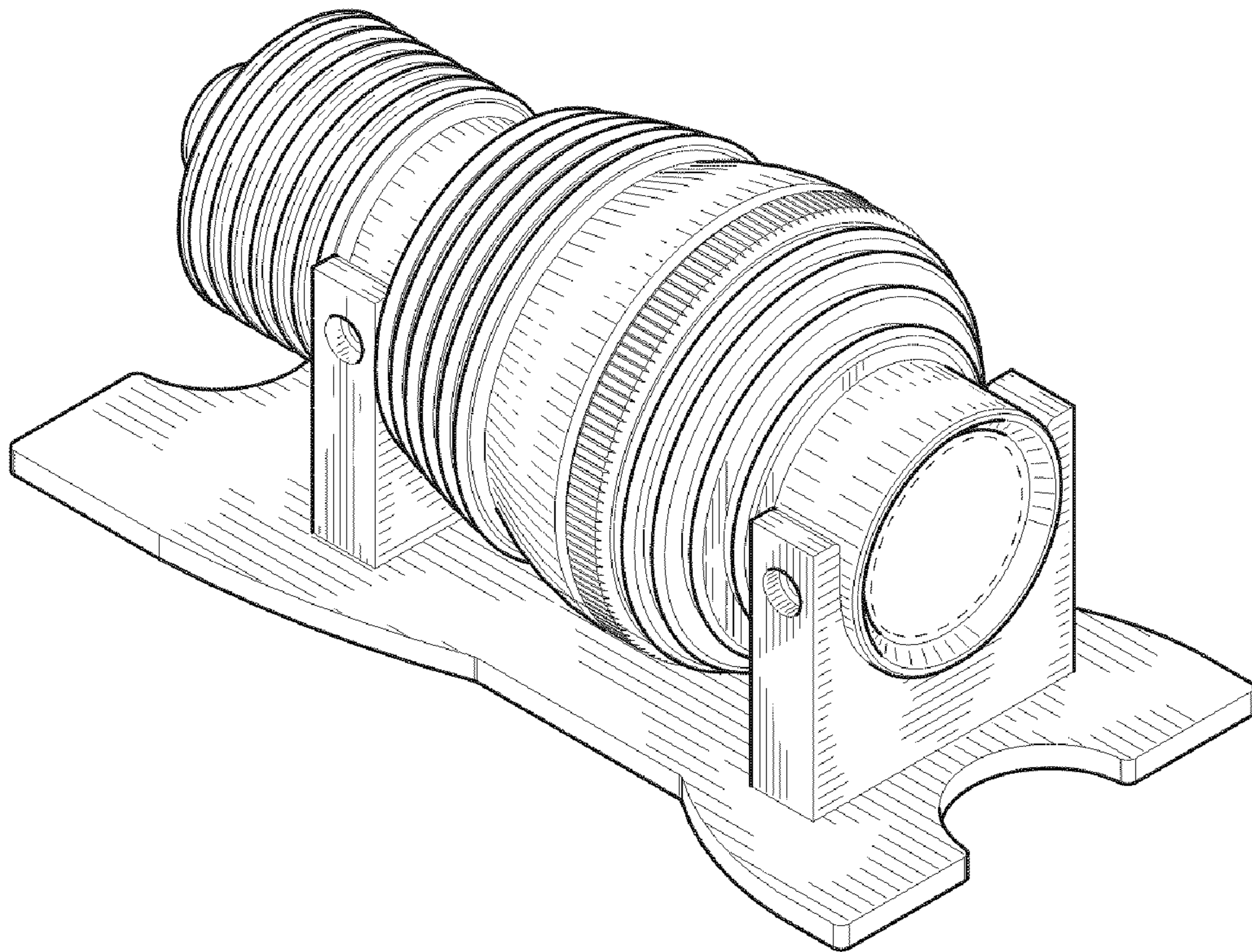


FIG.7