



US00D652558S

(12) **United States Design Patent**
Lichten et al.

(10) **Patent No.:** **US D652,558 S**
(45) **Date of Patent:** **** Jan. 17, 2012**

(54) **LIGHT FIXTURE FOR POULTRY HOUSE**
(75) Inventors: **Jan Flemming Samuel Lichten**, Even Yehuda (IL); **Niv Dadeh**, Ramot Hashavim (IL)
(73) Assignee: **CTB, Inc.**, Milford, IN (US)
(**) Term: **14 Years**
(21) Appl. No.: **29/365,002**
(22) Filed: **Jul. 1, 2010**
(51) **LOC (9) Cl.** **26-05**
(52) **U.S. Cl.** **D26/72**
(58) **Field of Classification Search** D26/24, D26/72, 85, 89, 119; 119/437; 362/147, 362/231, 404-408
See application file for complete search history.

D398,414 S * 9/1998 Pagliarini D26/85
D558,376 S * 12/2007 Posey et al. D26/72
D587,835 S * 3/2009 Hanson D26/85
7,661,840 B1 * 2/2010 Eriksson 362/230
7,768,192 B2 * 8/2010 Van De Ven et al. 313/503
D623,338 S * 9/2010 Mo D26/72

* cited by examiner

Primary Examiner — Clare E Heflin

(74) *Attorney, Agent, or Firm* — Harness, Dickey

(57) **CLAIM**

The ornamental design for a light fixture for poultry house, as shown and described.

DESCRIPTION

FIG. 1 is a rear perspective view of a light fixture for a poultry house;
FIG. 2 is a front perspective view thereof;
FIG. 3 is a front side view thereof;
FIG. 4 is a rear side view thereof;
FIG. 5 is a back view thereof;
FIG. 6 is a front view thereof;
FIG. 7 is a right side view; and,
FIG. 8 is a left side view.

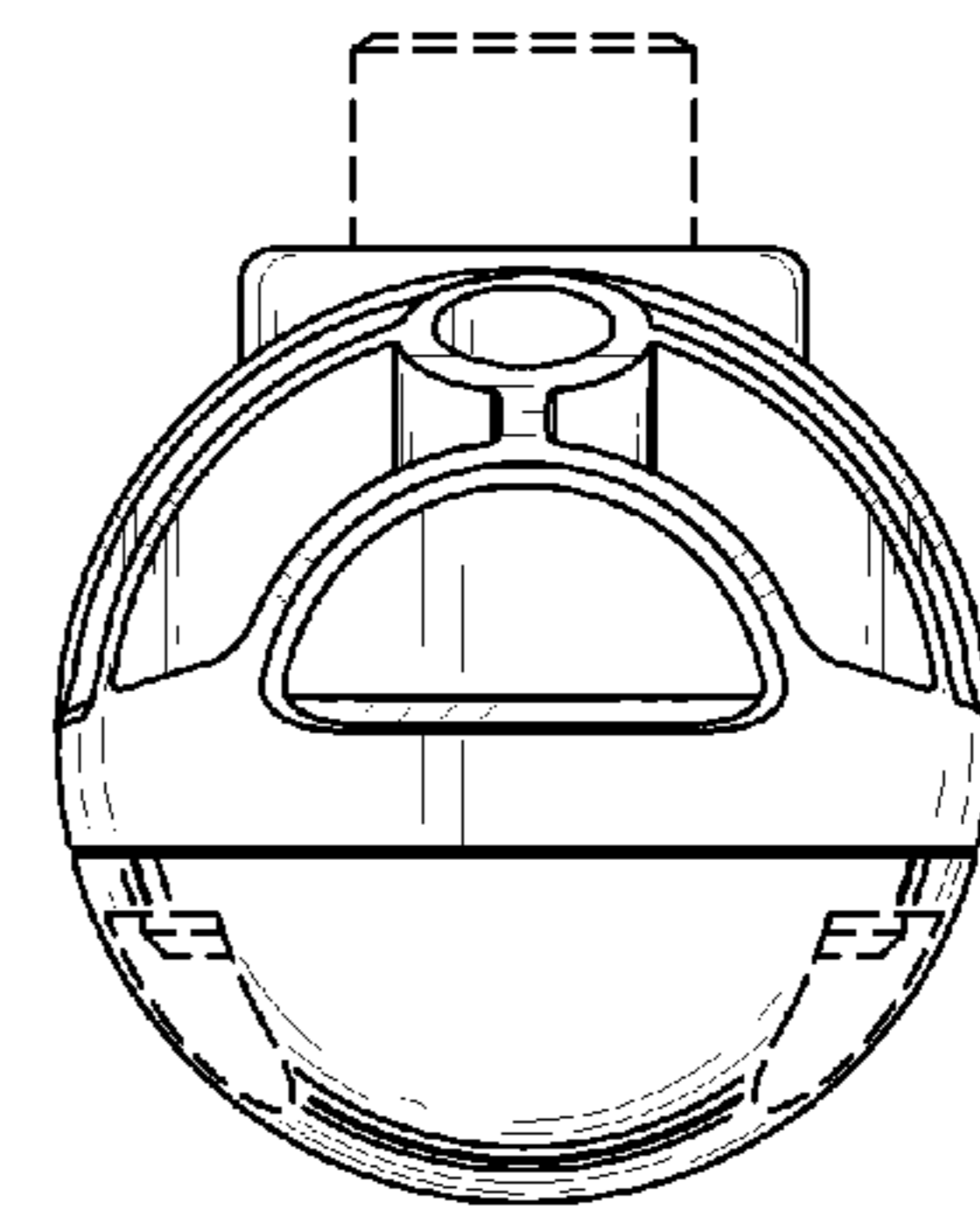
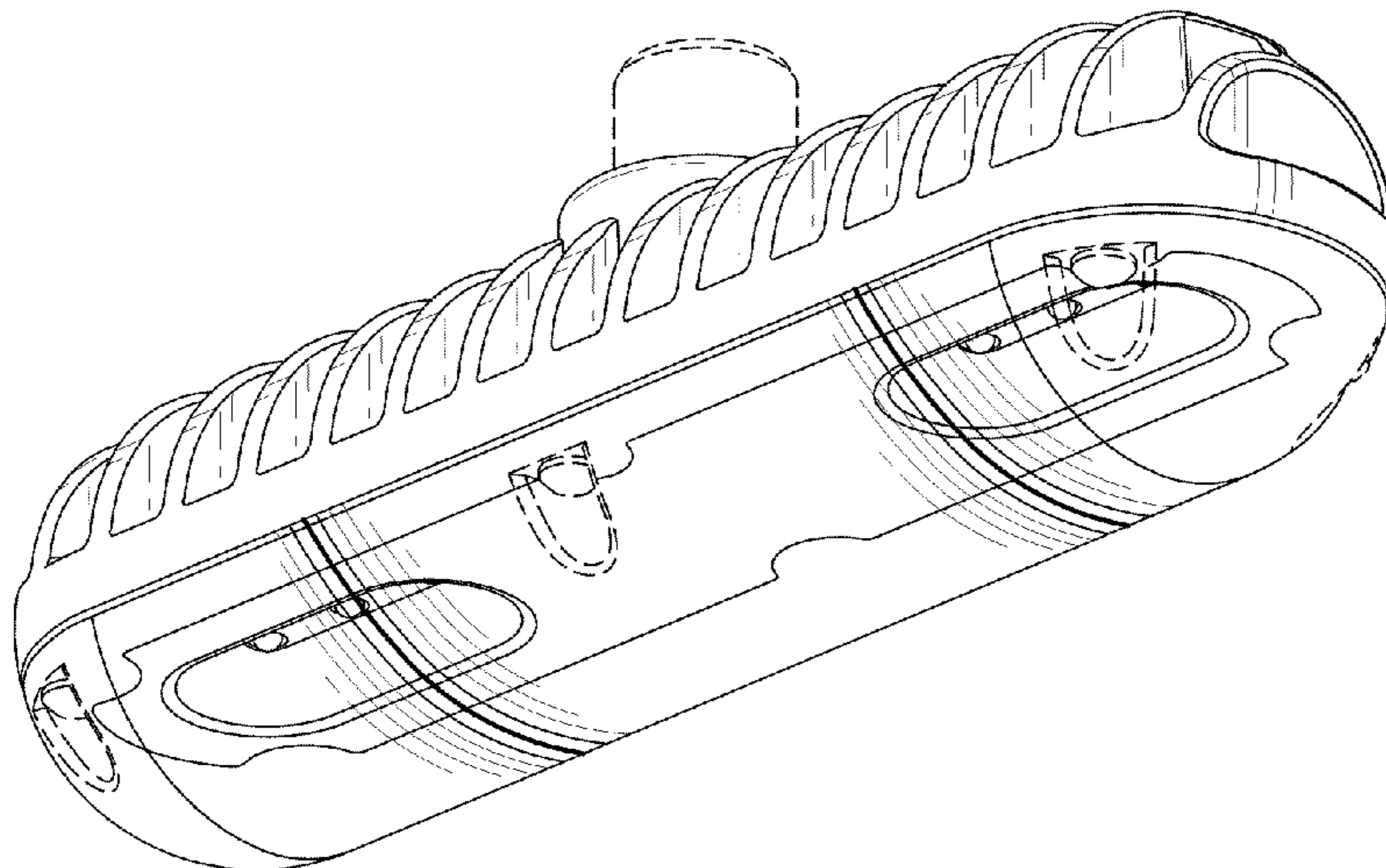
The lines shown in phantom are for illustrative purposes only and do not form part of the invention.

1 Claim, 3 Drawing Sheets

(56) **References Cited**

U.S. PATENT DOCUMENTS

D51,978 S * 4/1918 Cole D26/24
D110,165 S * 6/1938 Arenberg D26/85
D135,093 S * 2/1943 Biller D26/119
D163,742 S * 6/1951 Bogaerts D26/24
D186,718 S * 11/1959 Summers D26/104
D190,922 S * 7/1961 Anthony D26/24
D257,065 S * 9/1980 Silvestris D26/61



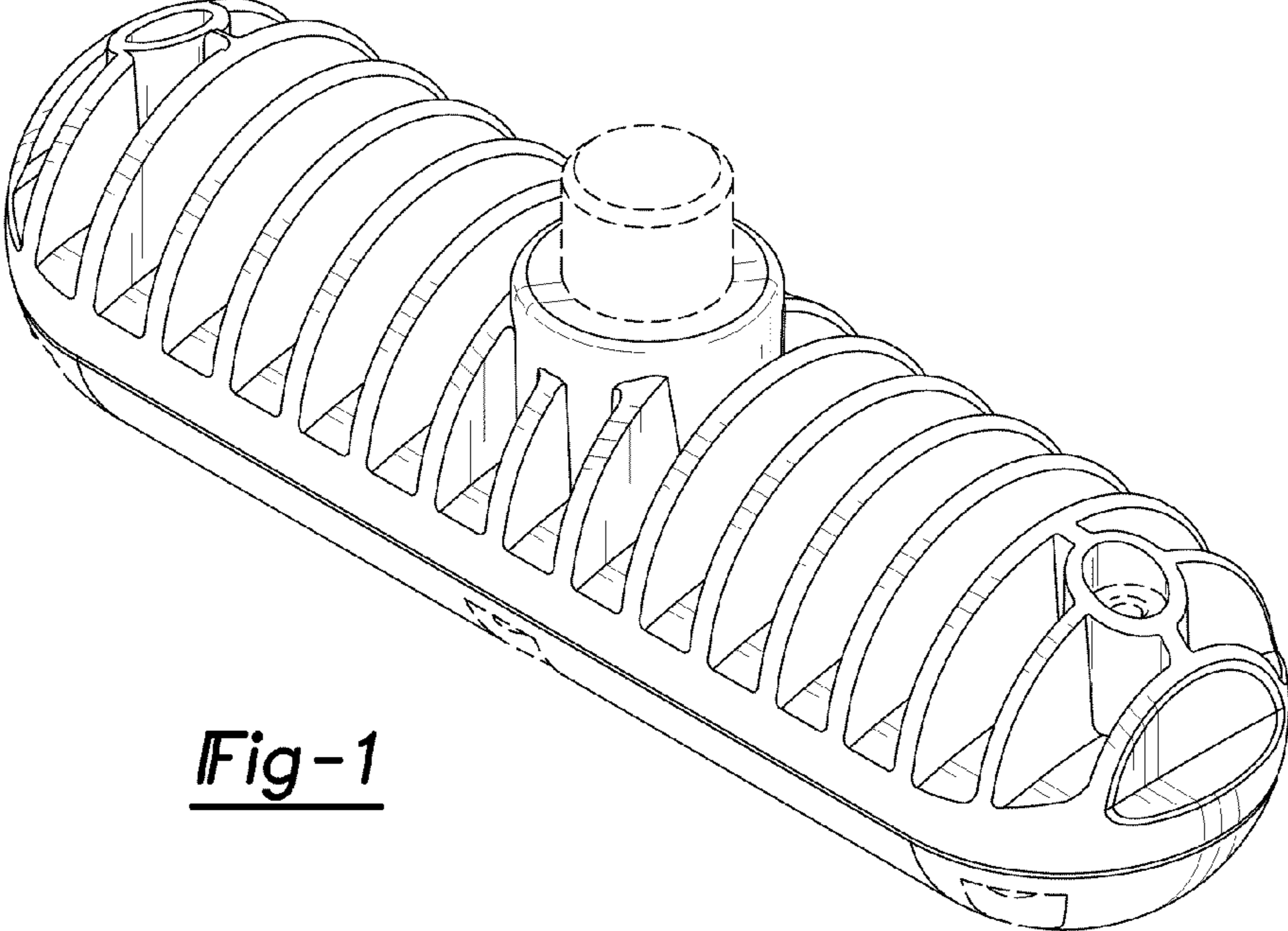


Fig-1

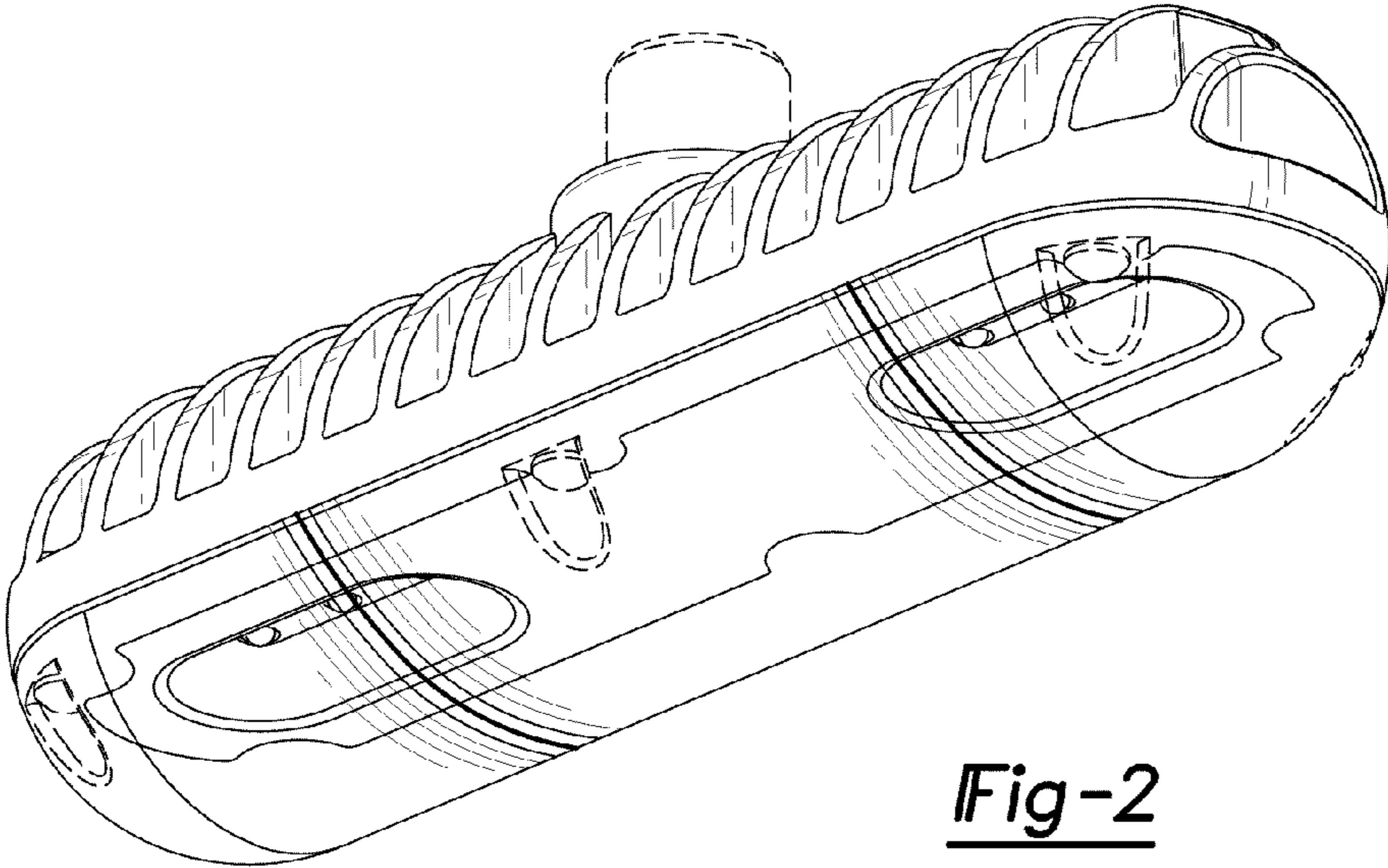


Fig-2

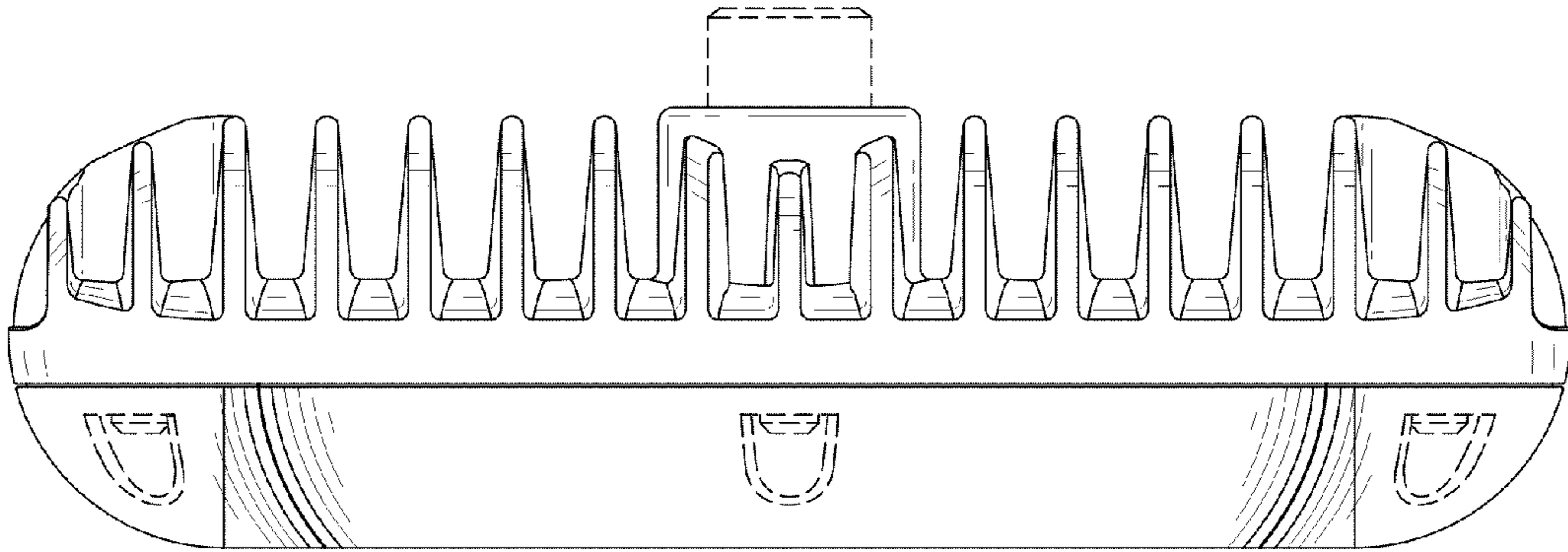


Fig-3

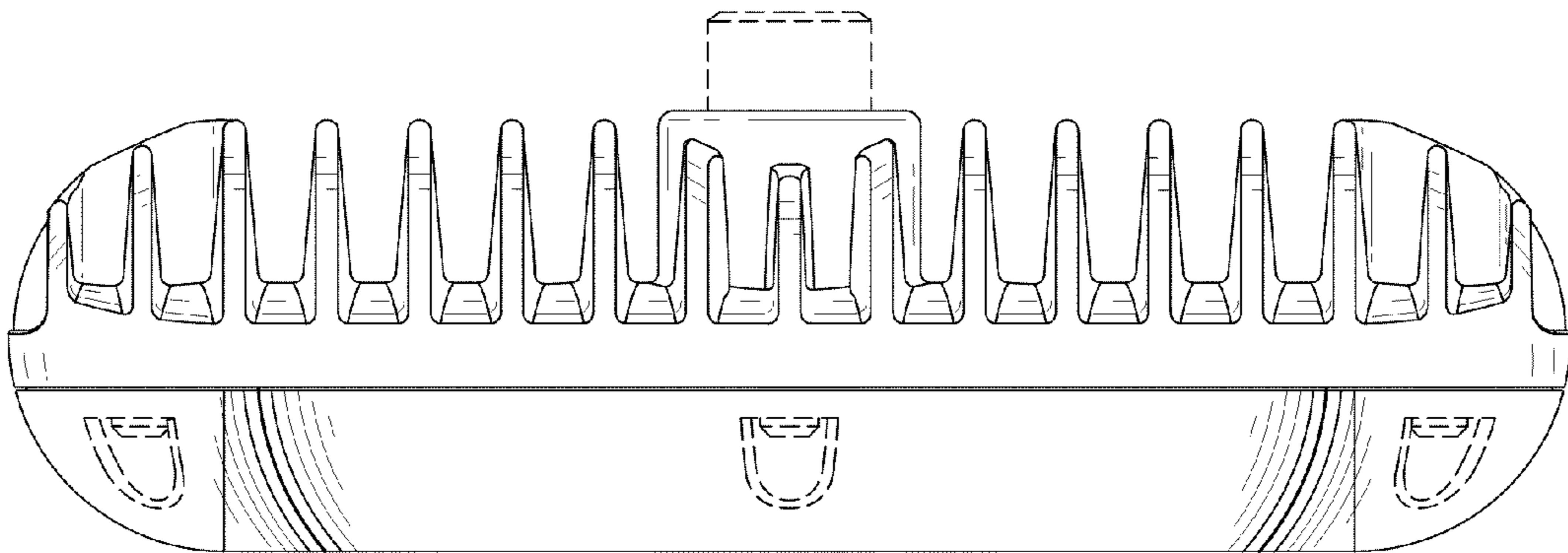


Fig-4

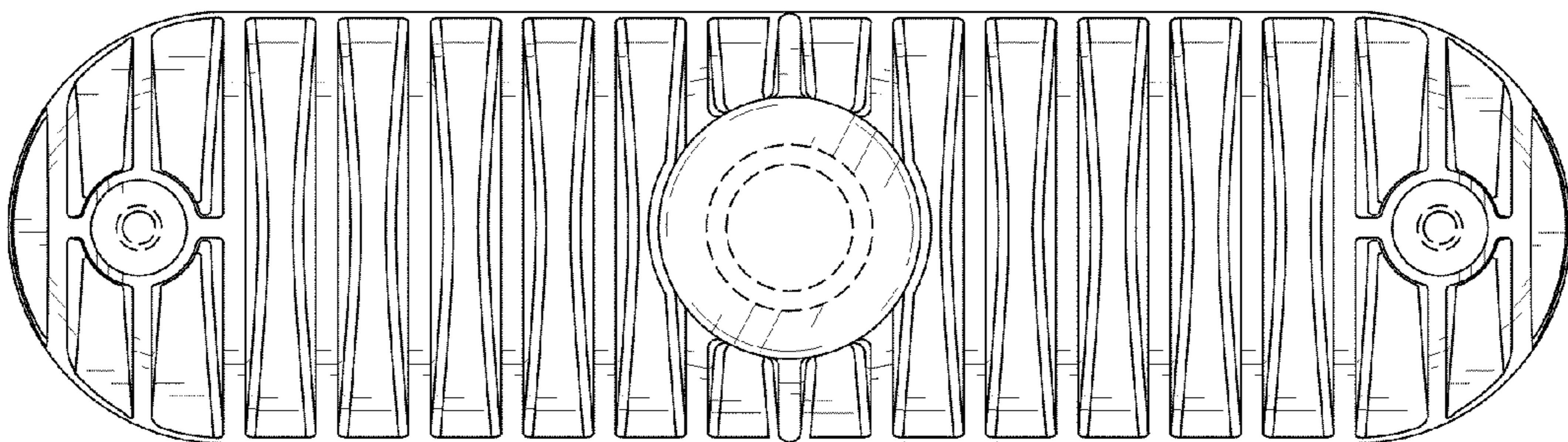


Fig-5

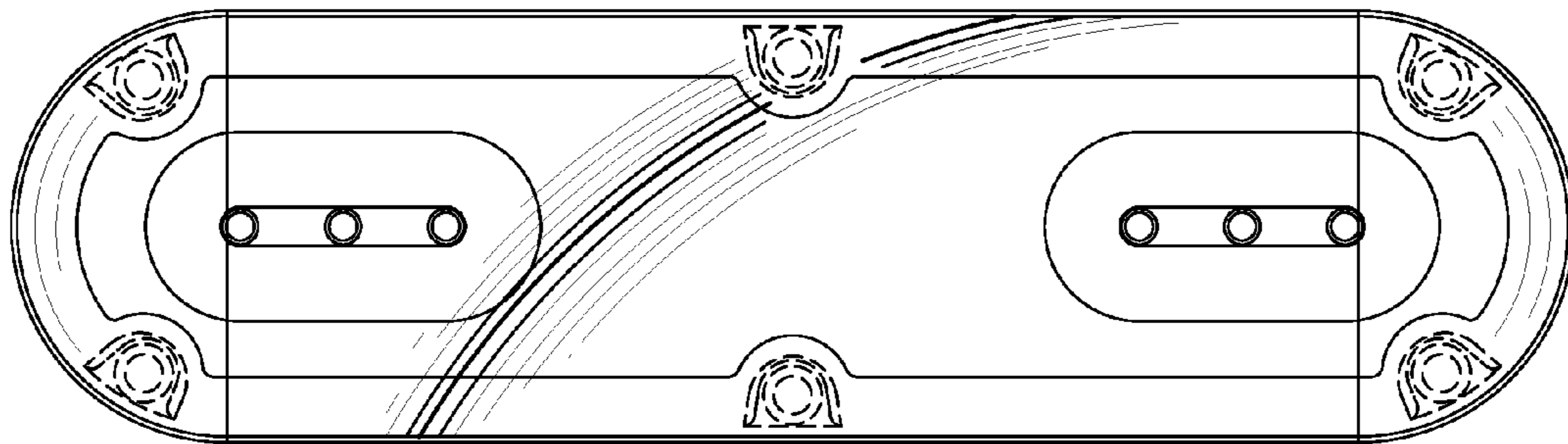


Fig-6

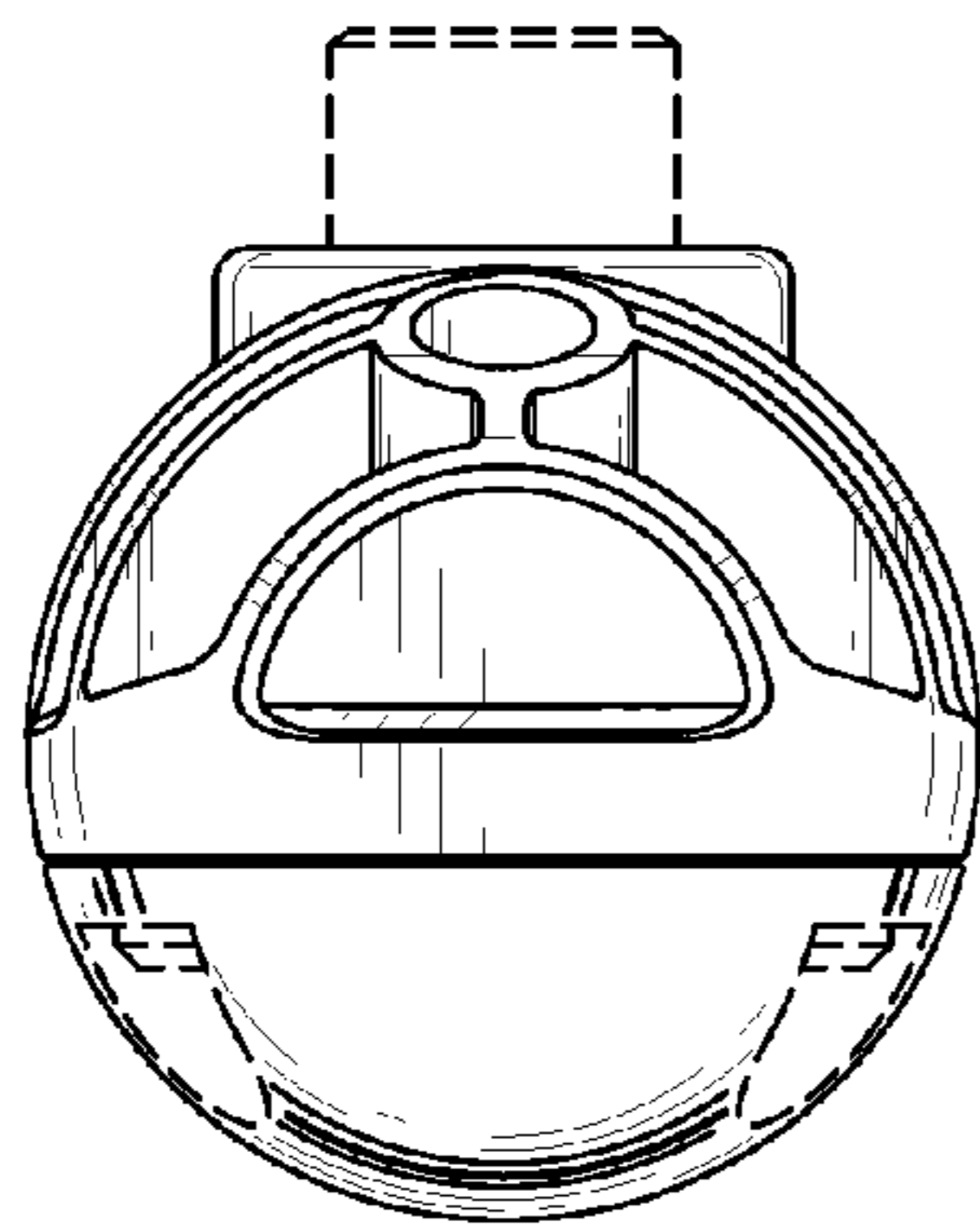


Fig-7

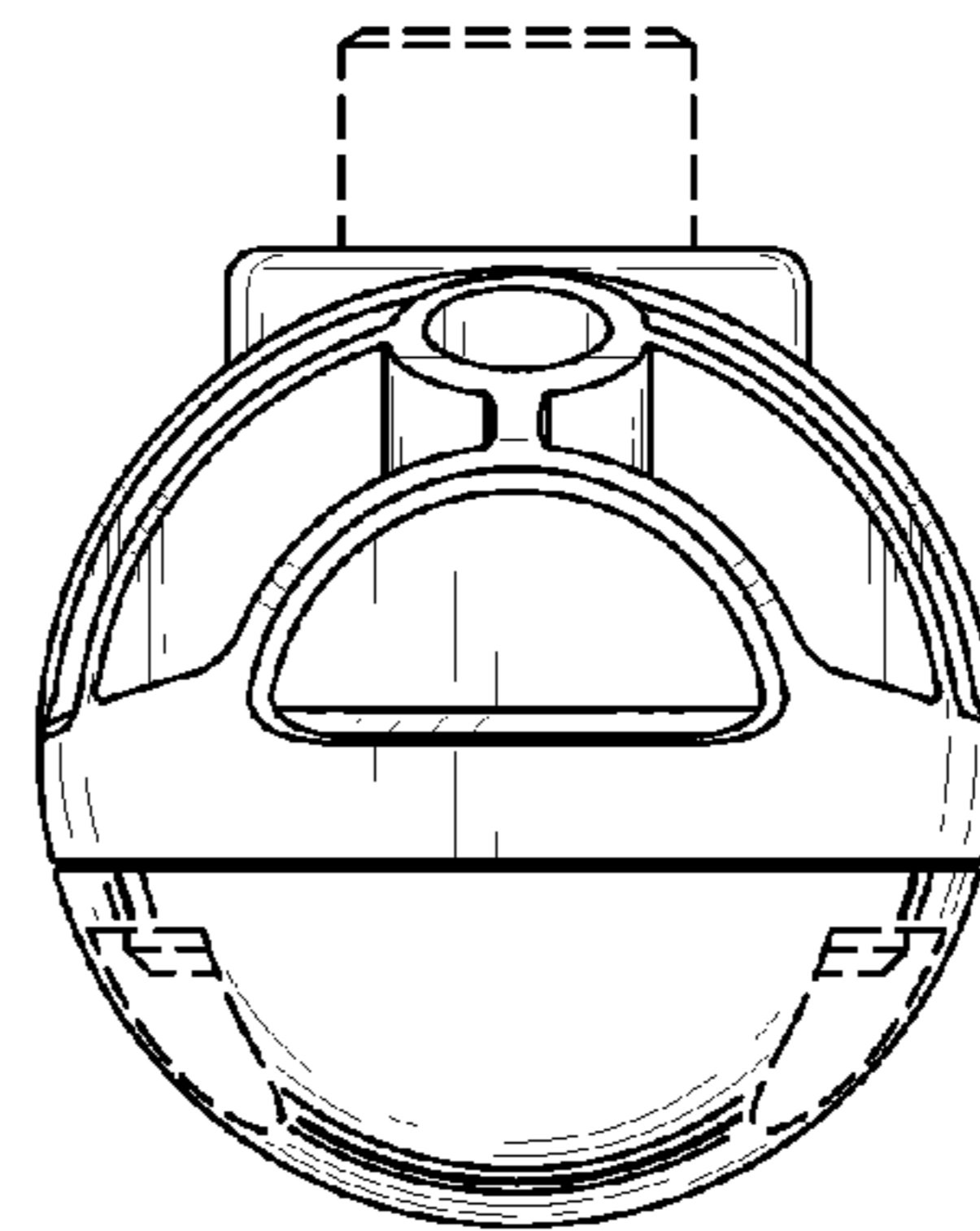


Fig-8