



US00D652555S

(12) **United States Design Patent**  
**Palese**

(10) **Patent No.:** **US D652,555 S**  
(45) **Date of Patent:** **\*\* Jan. 17, 2012**

(54) **EXPANDABLE LAMP**

(75) Inventor: **Jeffrey W. Palese**, Cleveland, OH (US)

(73) Assignee: **Blue Sky Innovation Group, Inc.**,  
Cleveland, OH (US)

(\*\*) Term: **14 Years**

(21) Appl. No.: **29/391,738**

(22) Filed: **May 12, 2011**

(51) **LOC (9) Cl.** ..... **26-05**

(52) **U.S. Cl.** ..... **D26/61**

(58) **Field of Classification Search** ..... D26/60-66,  
D26/104, 108, 110, 112; 362/410, 413, 414,  
362/418, 431, 450, 257, 277, 278, 285, 311.01,  
362/319, 352, 153

See application file for complete search history.

(56) **References Cited**

**U.S. PATENT DOCUMENTS**

D468,040	S	*	12/2002	Krieger et al.	.....	D26/40
D468,466	S	*	1/2003	Krieger et al.	.....	D26/40
7,476,006	B2	*	1/2009	Hinds	.....	362/286
D606,236	S	*	12/2009	Sabernig	.....	D26/93
D608,039	S	*	1/2010	Jones	.....	D26/61
D619,745	S	*	7/2010	Kung	.....	D26/61
7,775,691	B2	*	8/2010	Burgei et al.	.....	362/386

7,857,490	B1	*	12/2010	Fett et al.	.....	362/352
D638,152	S	*	5/2011	Leung	.....	D26/40
D642,715	S	*	8/2011	Lee	.....	D26/61

\* cited by examiner

*Primary Examiner* — Susan M Lee

*Assistant Examiner* — Linda G. Brooks

(74) *Attorney, Agent, or Firm* — Fay Sharpe LLP; Brian E. Turung

(57) **CLAIM**

The ornamental design for an expandable lamp, as shown and described.

**DESCRIPTION**

FIG. 1 is a front perspective view of the expandable lamp showing my new design;

FIG. 2 is a front elevation view of the expandable lamp showing my new design;

FIG. 3 is a top plan view of the expandable lamp showing my new design;

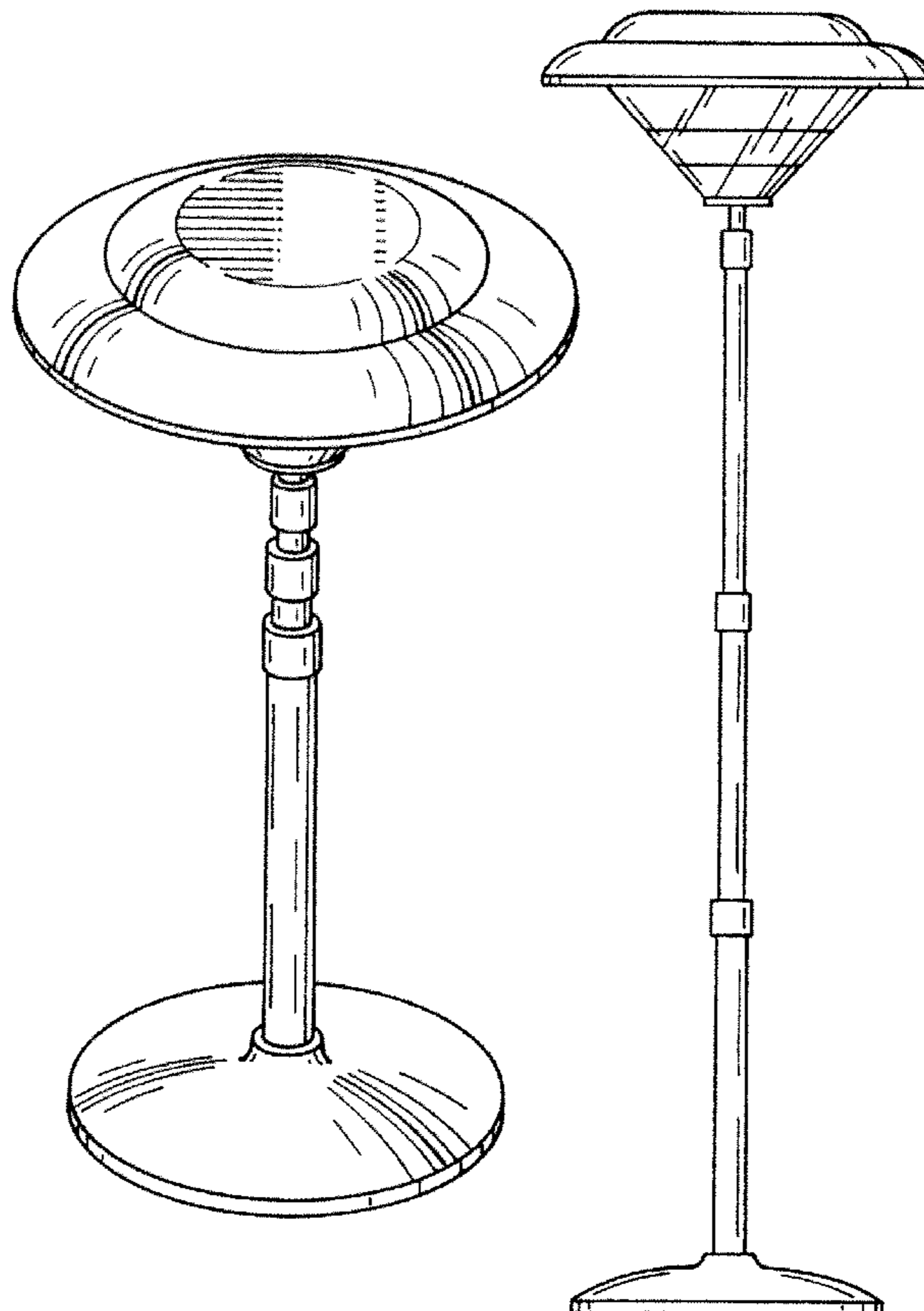
FIG. 4 is a bottom plan view of the expandable lamp showing my new design;

FIG. 5 is a front elevation view of the expandable lamp showing my new design in a partially extended position;

FIG. 6 is a front elevation view of the expandable lamp showing my new design in a partially extended position; and,

FIG. 7 is a front elevation view of the expandable lamp showing my new design in a fully extended position.

**1 Claim, 3 Drawing Sheets**



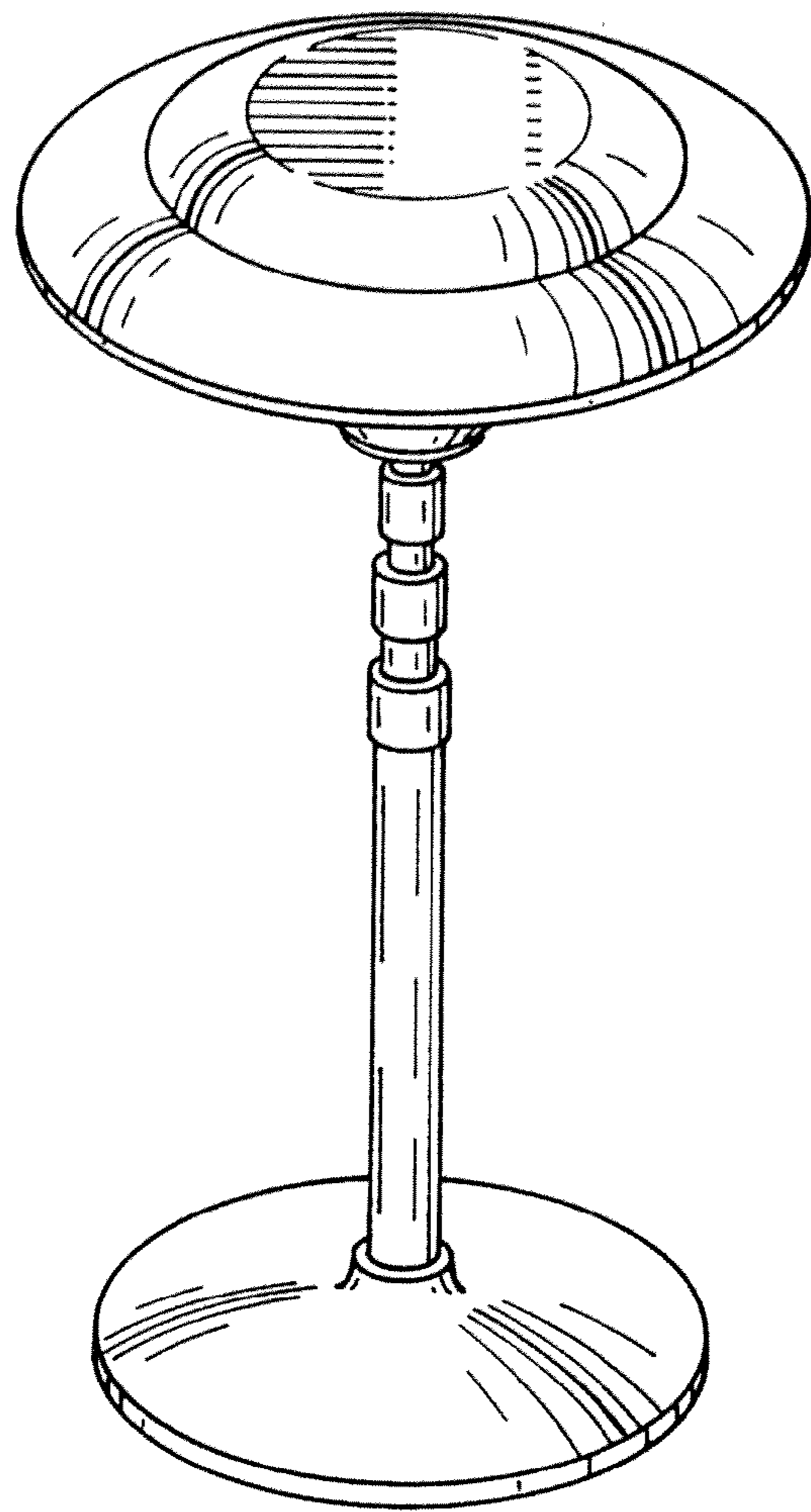


FIG. 1

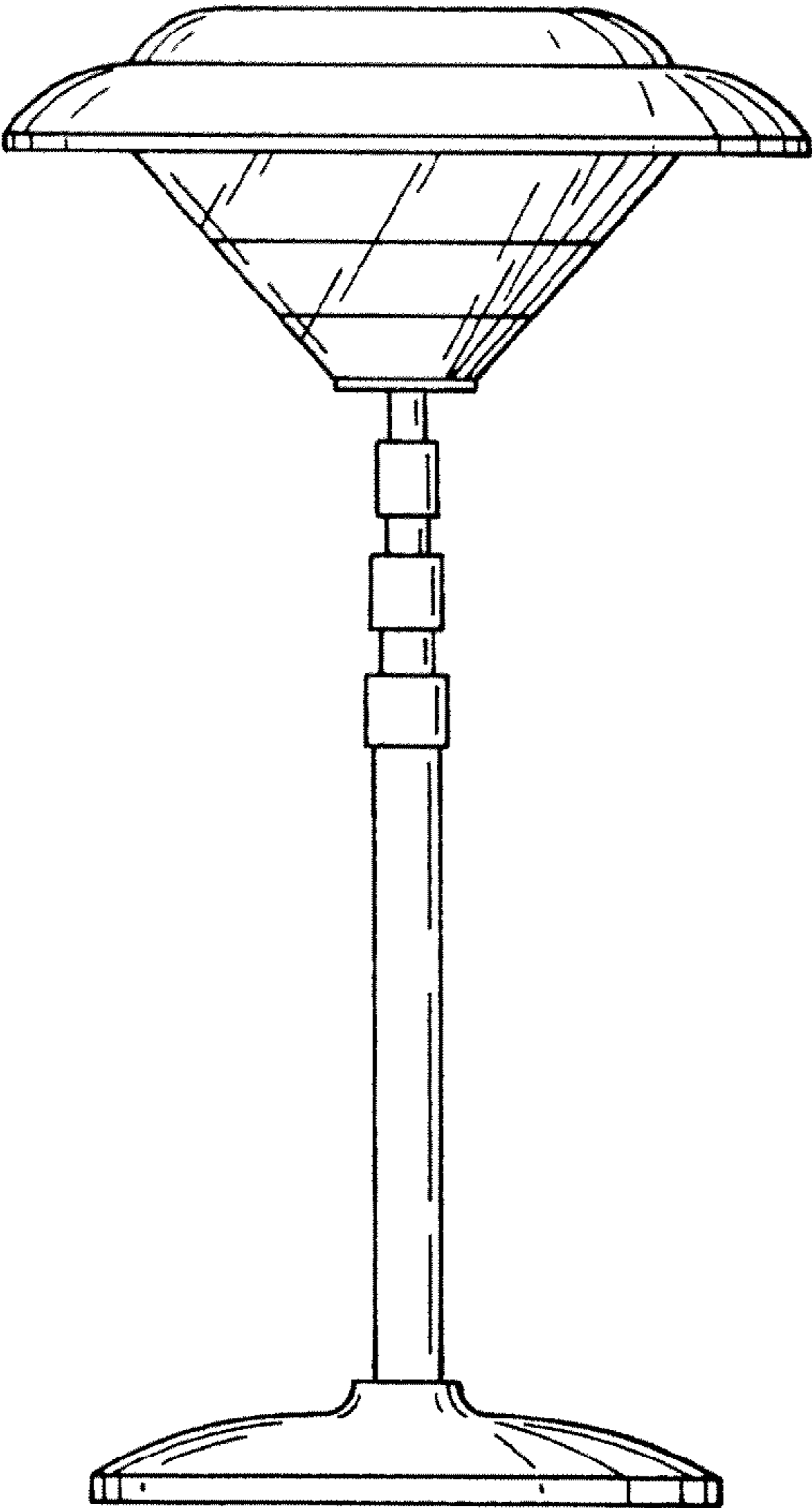


FIG. 2

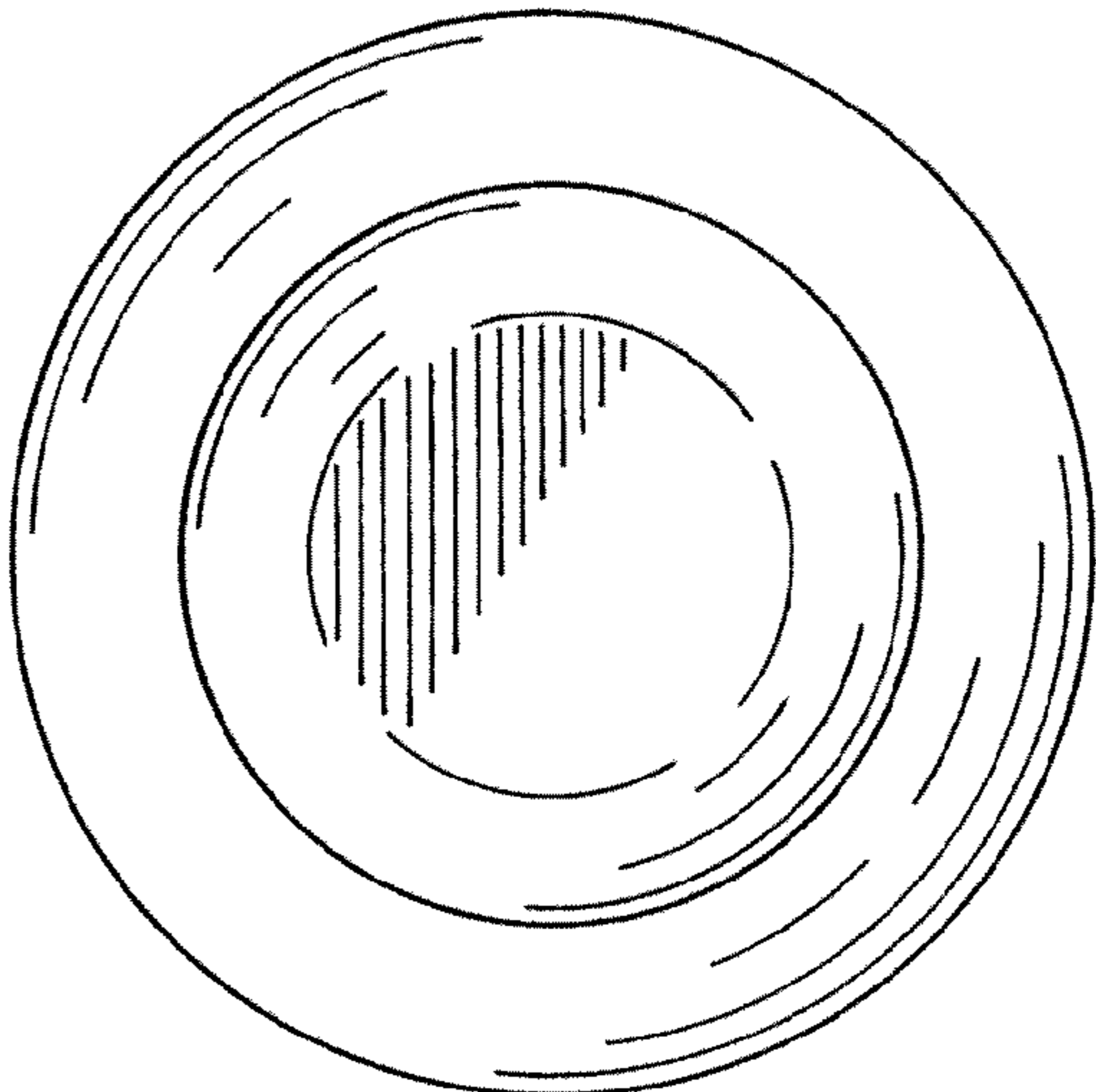


FIG. 3

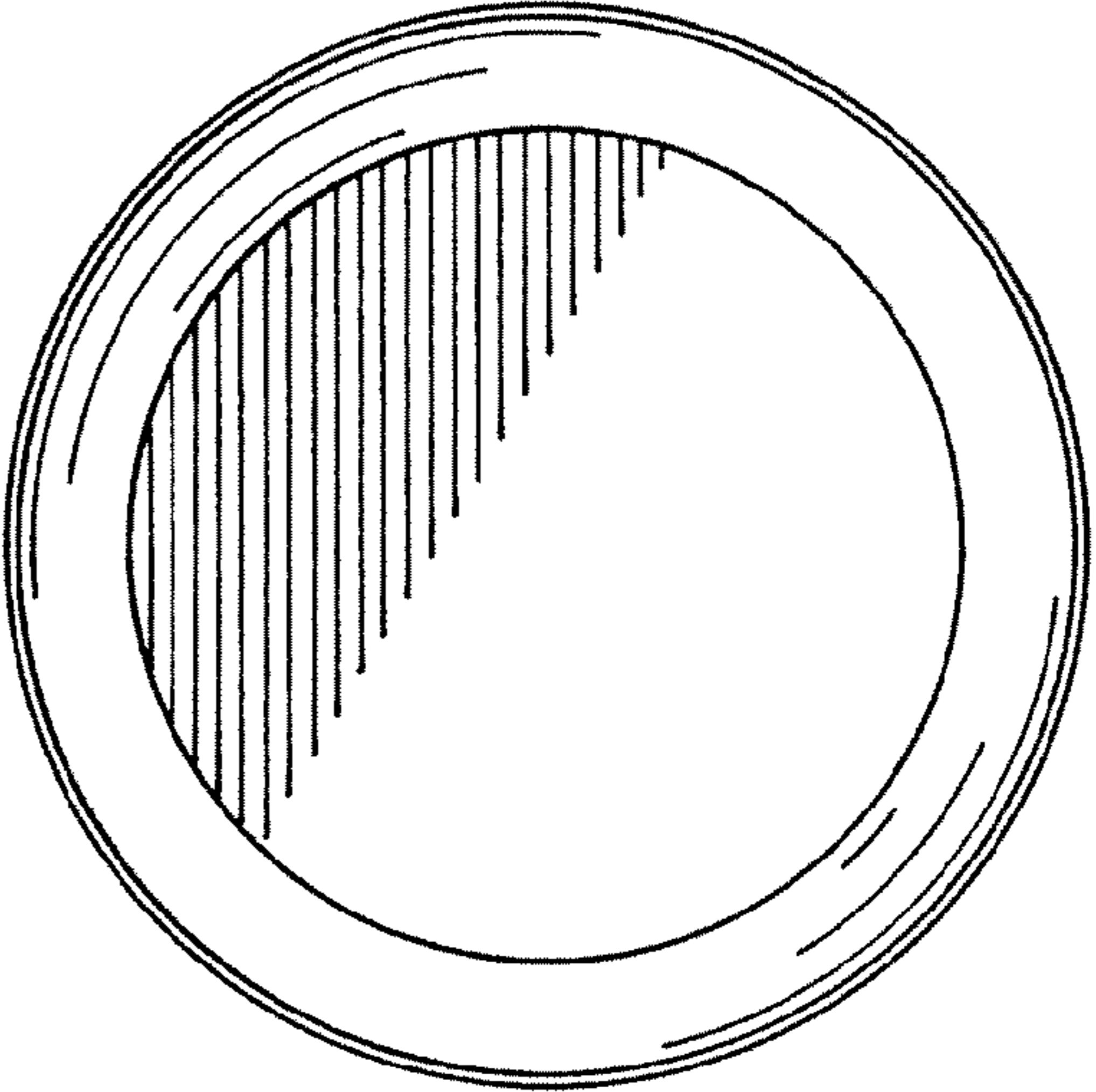


FIG. 4

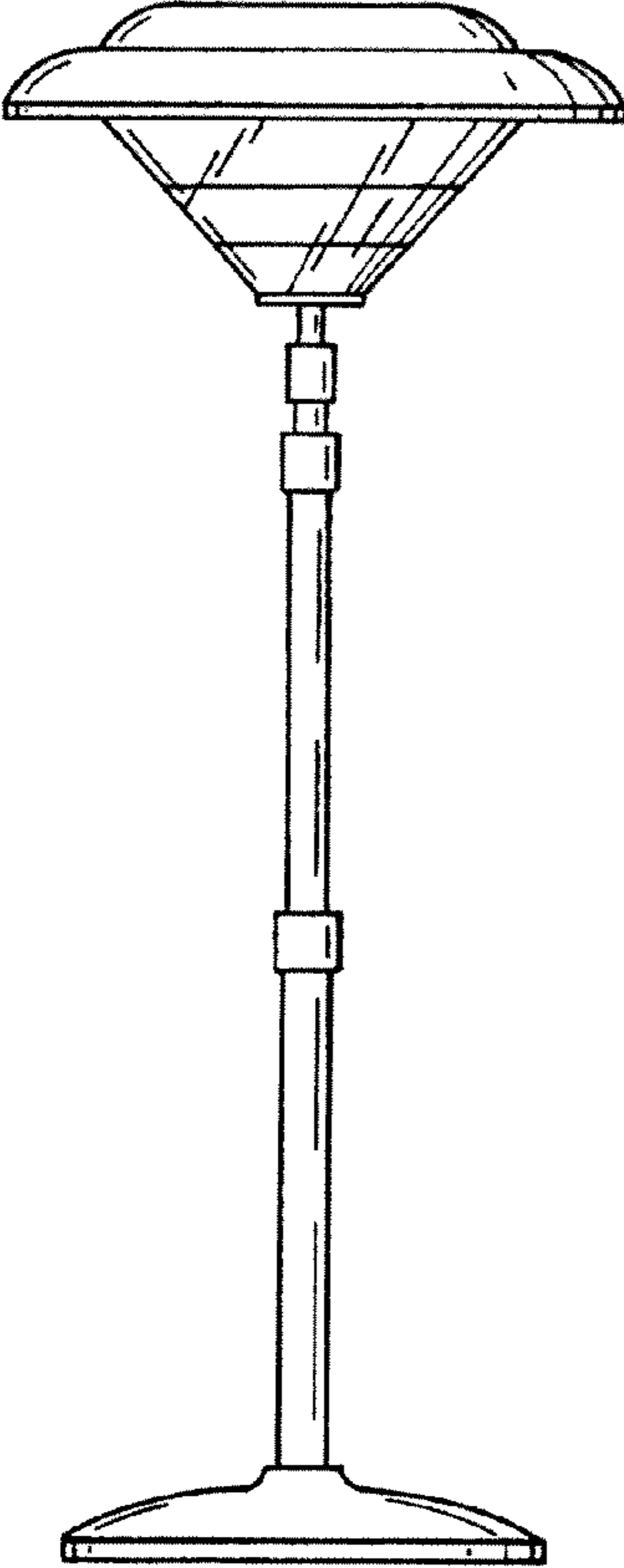


FIG. 5

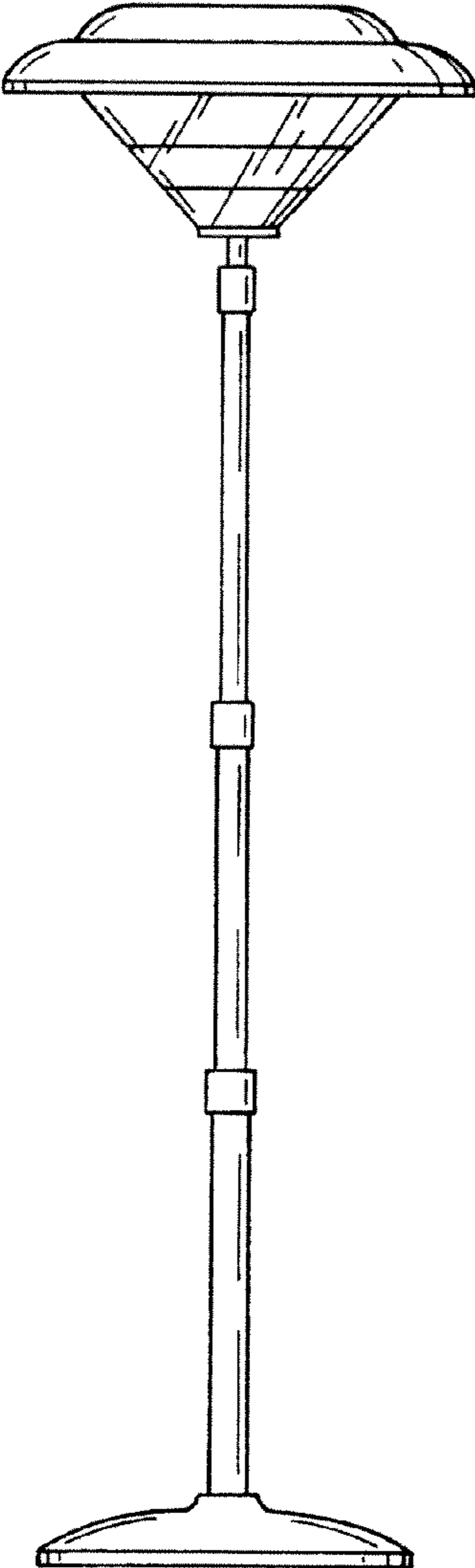


FIG. 6

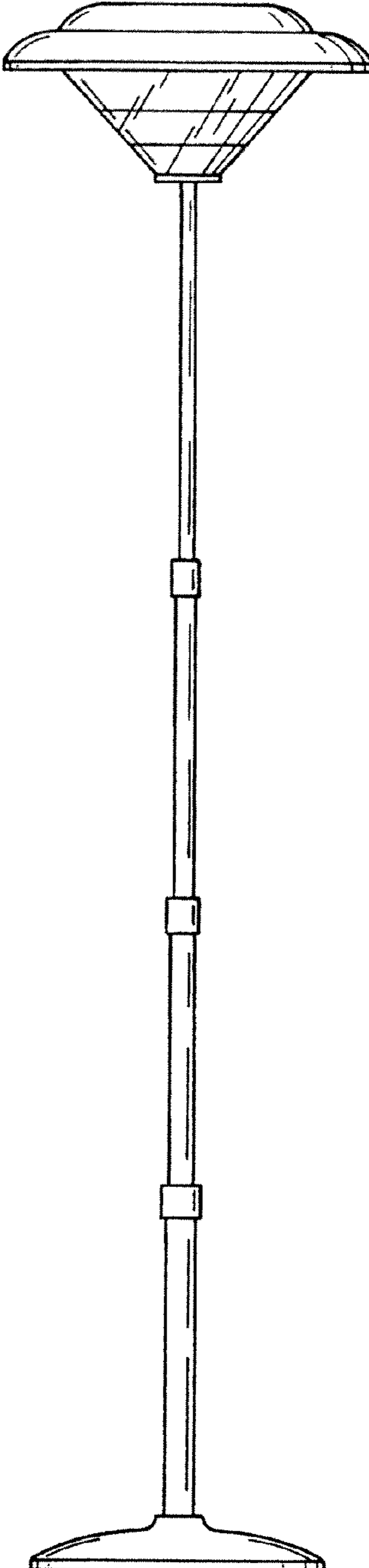


FIG. 7