



US00D652554S

(12) **United States Design Patent**
Leung et al.

(10) **Patent No.:** **US D652,554 S**
(45) **Date of Patent:** **** Jan. 17, 2012**

(54) **LANTERN**
(76) Inventors: **Ambrose Shing-Yin Leung**, Kwai Chung (HK); **Benson Chung-Pun Leung**, Kwai Chung (HK)
(**) Term: **14 Years**
(21) Appl. No.: **29/358,556**
(22) Filed: **Mar. 29, 2010**

D521,669 S 5/2006 Krieger et al.
D524,968 S 7/2006 Poon
D527,128 S 8/2006 Lo
D535,771 S * 1/2007 Shiu D26/40
D537,966 S 3/2007 Lo
D539,953 S 4/2007 Leung
D539,954 S * 4/2007 Yen D26/40
D545,984 S 7/2007 Leung
D546,991 S 7/2007 Poon
D547,891 S * 7/2007 Shiu D26/40
D553,774 S 10/2007 Leung et al.
D555,266 S 11/2007 Claassen
D556,928 S 12/2007 Poon
D556,929 S 12/2007 Tarter
D576,329 S 9/2008 Poon
D589,187 S 3/2009 Kung
D604,436 S 11/2009 Poon
D608,920 S * 1/2010 Loibl D26/40

Related U.S. Application Data

(63) Continuation of application No. 29/345,625, filed on Oct. 20, 2009, now Pat. No. Des. 617,481.
(51) **LOC (9) Cl.** **26-02**
(52) **U.S. Cl.** **D26/41**
(58) **Field of Classification Search** D26/40, D26/41, 37, 38, 42, 46, 50; 362/103, 157, 362/158, 184, 186, 171-174, 196-208
See application file for complete search history.

* cited by examiner

Primary Examiner — Ian Simmons
Assistant Examiner — Carissa C Fitts
(74) *Attorney, Agent, or Firm* — Bishop & Diehl, Ltd.

(56) **References Cited**

U.S. PATENT DOCUMENTS

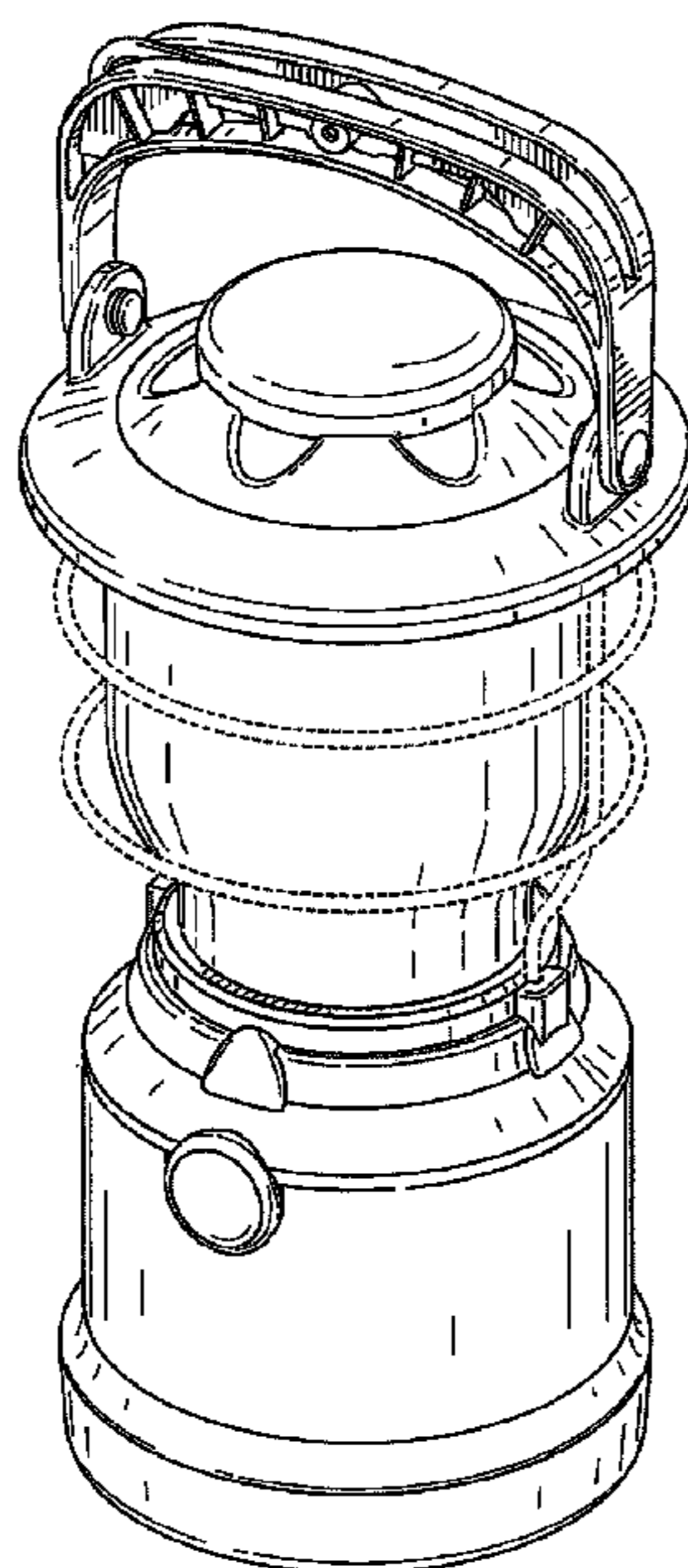
D105,656 S 8/1937 Fedrico
D390,984 S 2/1998 Long
D393,323 S 4/1998 Howard
D397,467 S 8/1998 Howard et al.
D429,354 S 8/2000 Petterson
D443,088 S 5/2001 Skidmore et al.
D461,577 S 8/2002 Cheong
D468,039 S 12/2002 Poon
D474,553 S 5/2003 Poon
D485,928 S 1/2004 Leung
D487,809 S 3/2004 Leung
D491,302 S 6/2004 Krieger et al.
D505,216 S 5/2005 Chen
D513,336 S * 12/2005 Kung D26/40
D521,167 S 5/2006 Krieger et al.

(57) **CLAIM**
The ornamental design for a lantern, as shown and described.

DESCRIPTION

FIG. 1 is a perspective view of the lantern of the claimed invention;
FIG. 2 is a front side view of the lantern of FIG. 1;
FIG. 3 is a rear side view of the lantern of FIG. 1;
FIG. 4 is a left side view of the lantern of FIG. 1;
FIG. 5 is a right side view of the lantern of FIG. 1;
FIG. 6 is a top plan view of the lantern of FIG. 1; and,
FIG. 7 is a bottom plan view of the lantern of FIG. 1.
The broken line showing is for environmental purposes only and forms no part of the claimed design.

1 Claim, 6 Drawing Sheets



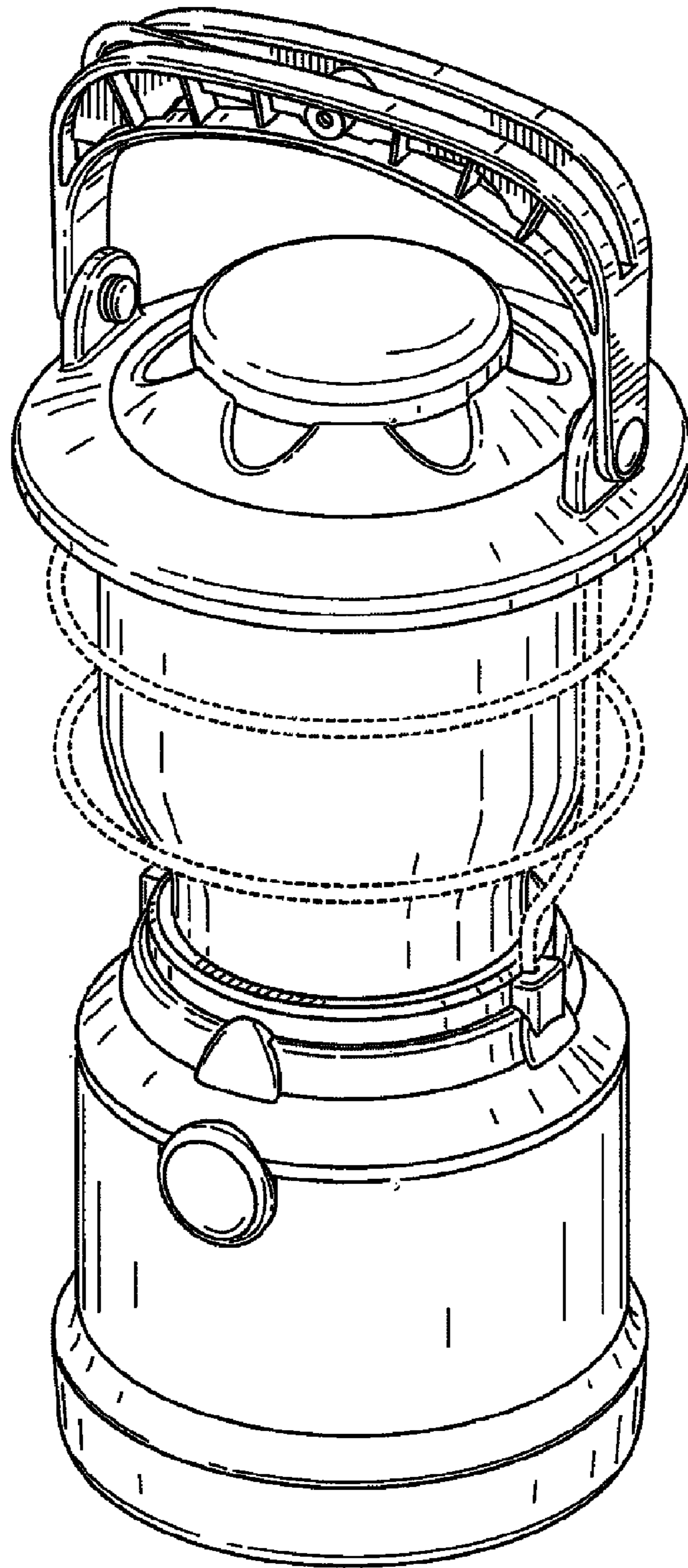


FIG. 1

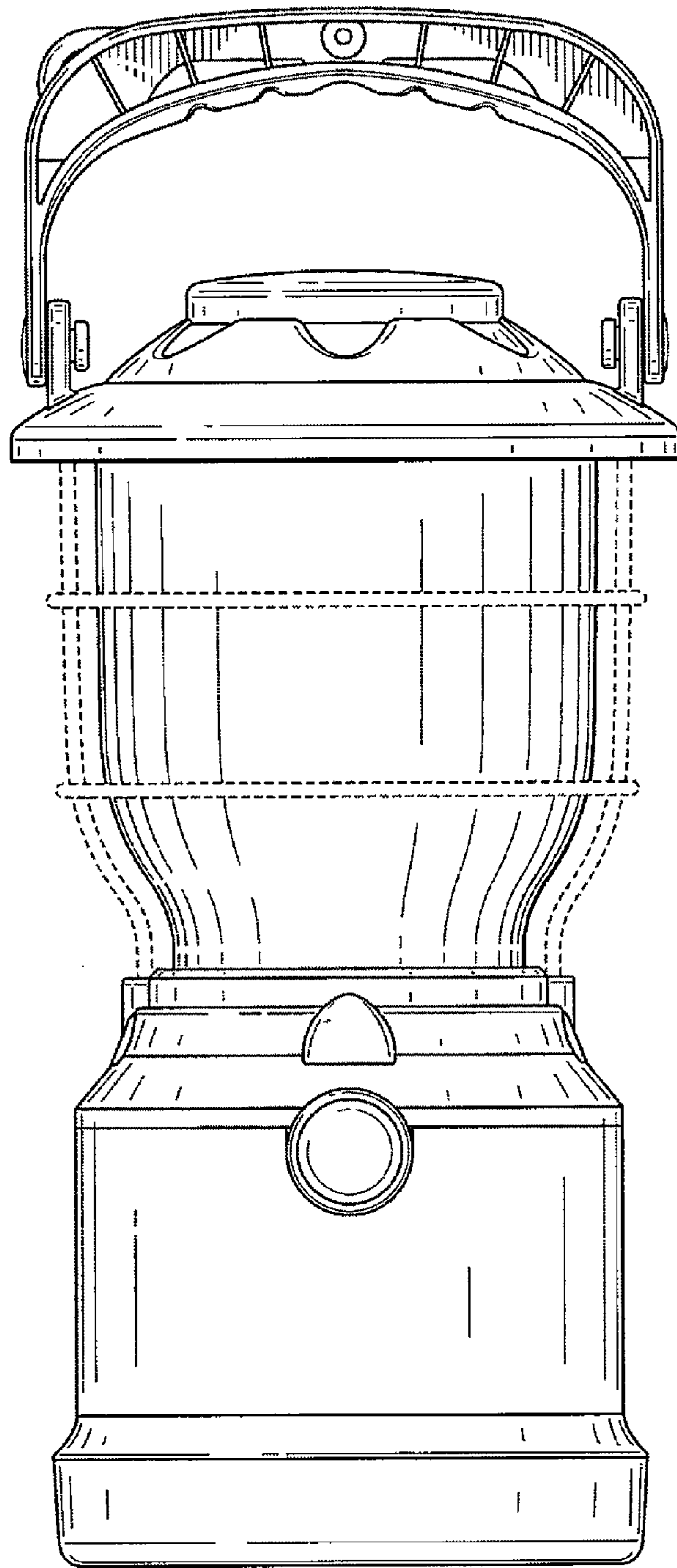


FIG. 2

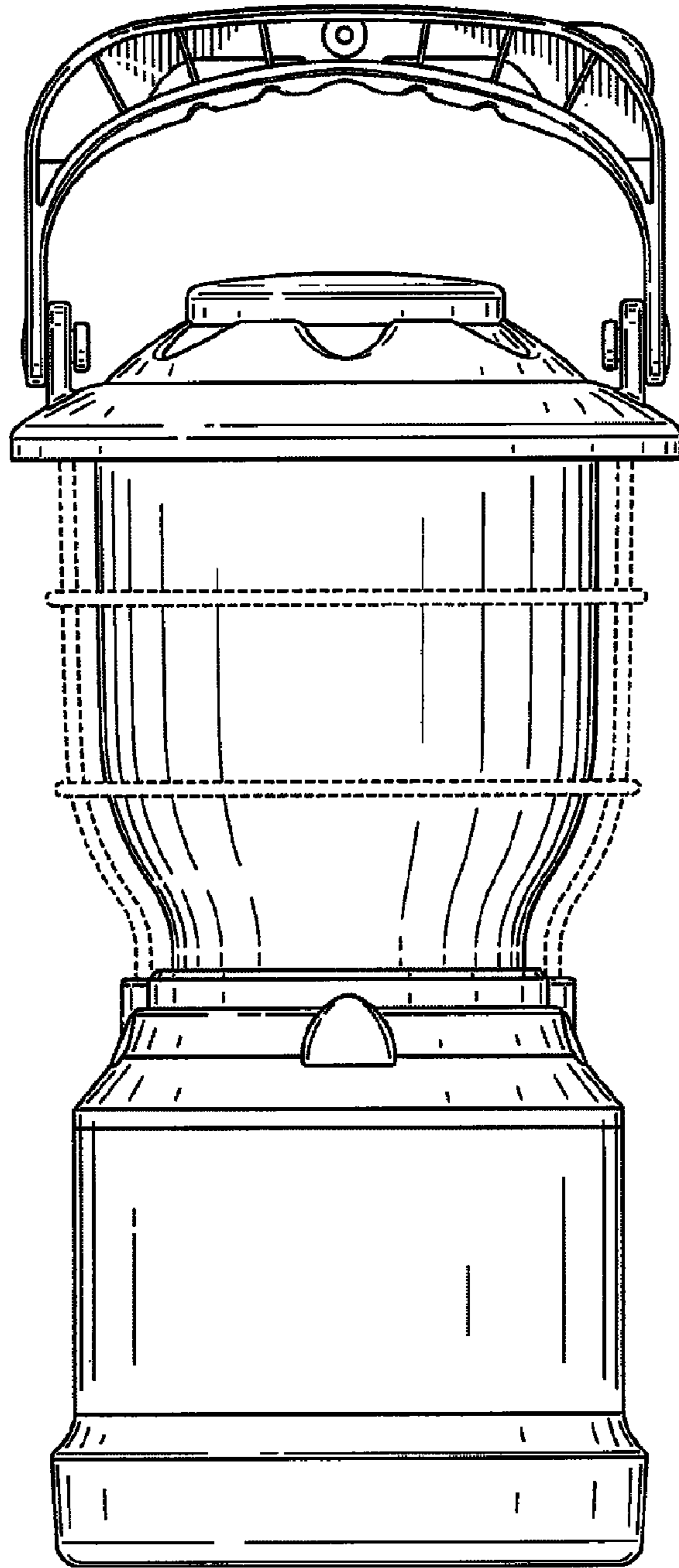


FIG. 3

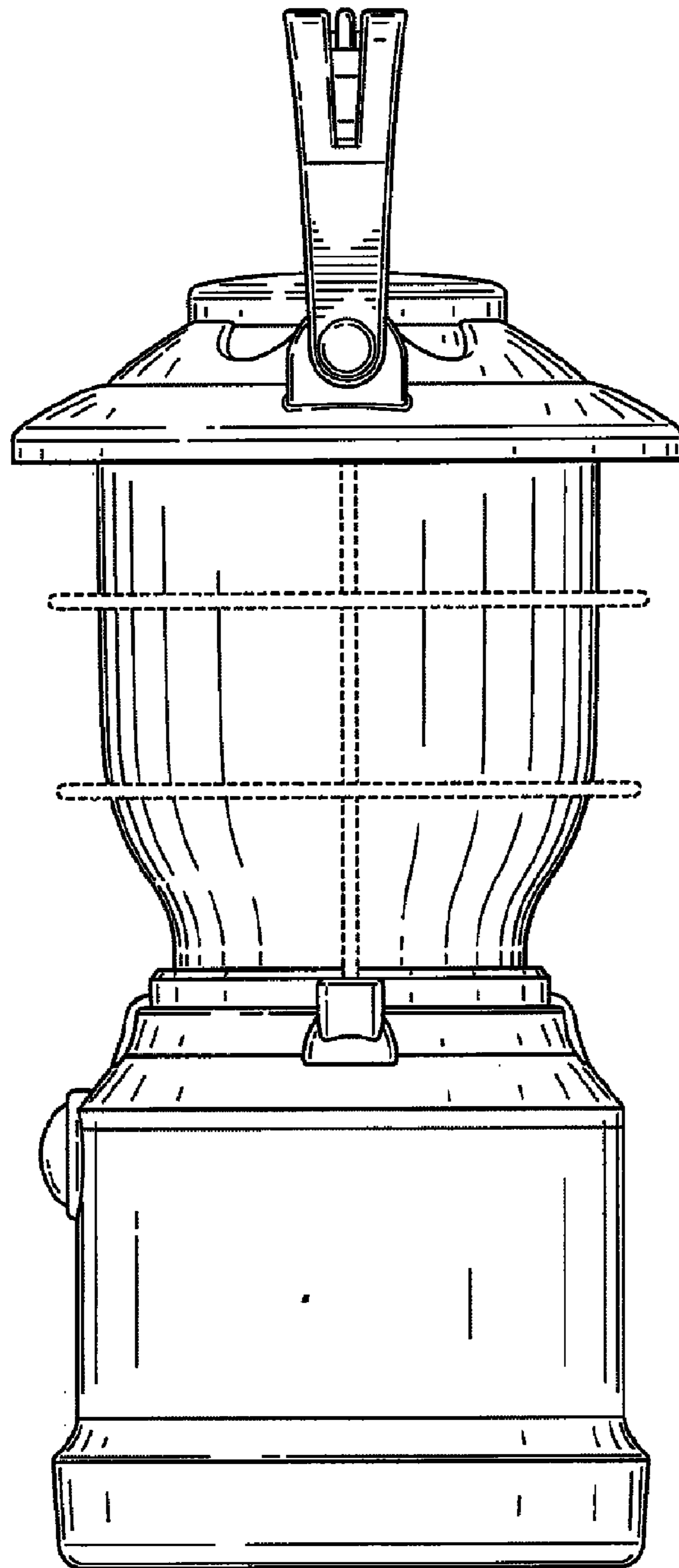


FIG. 4

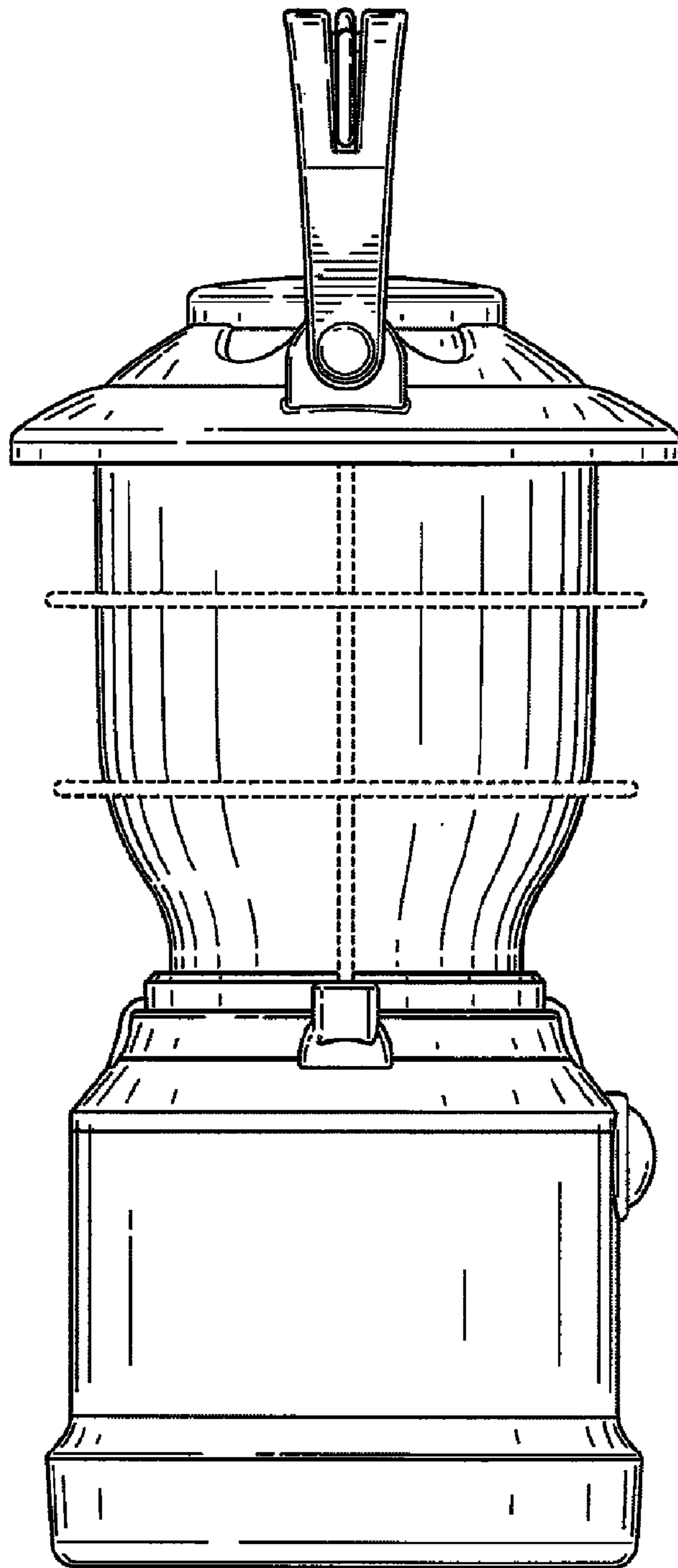


FIG. 5

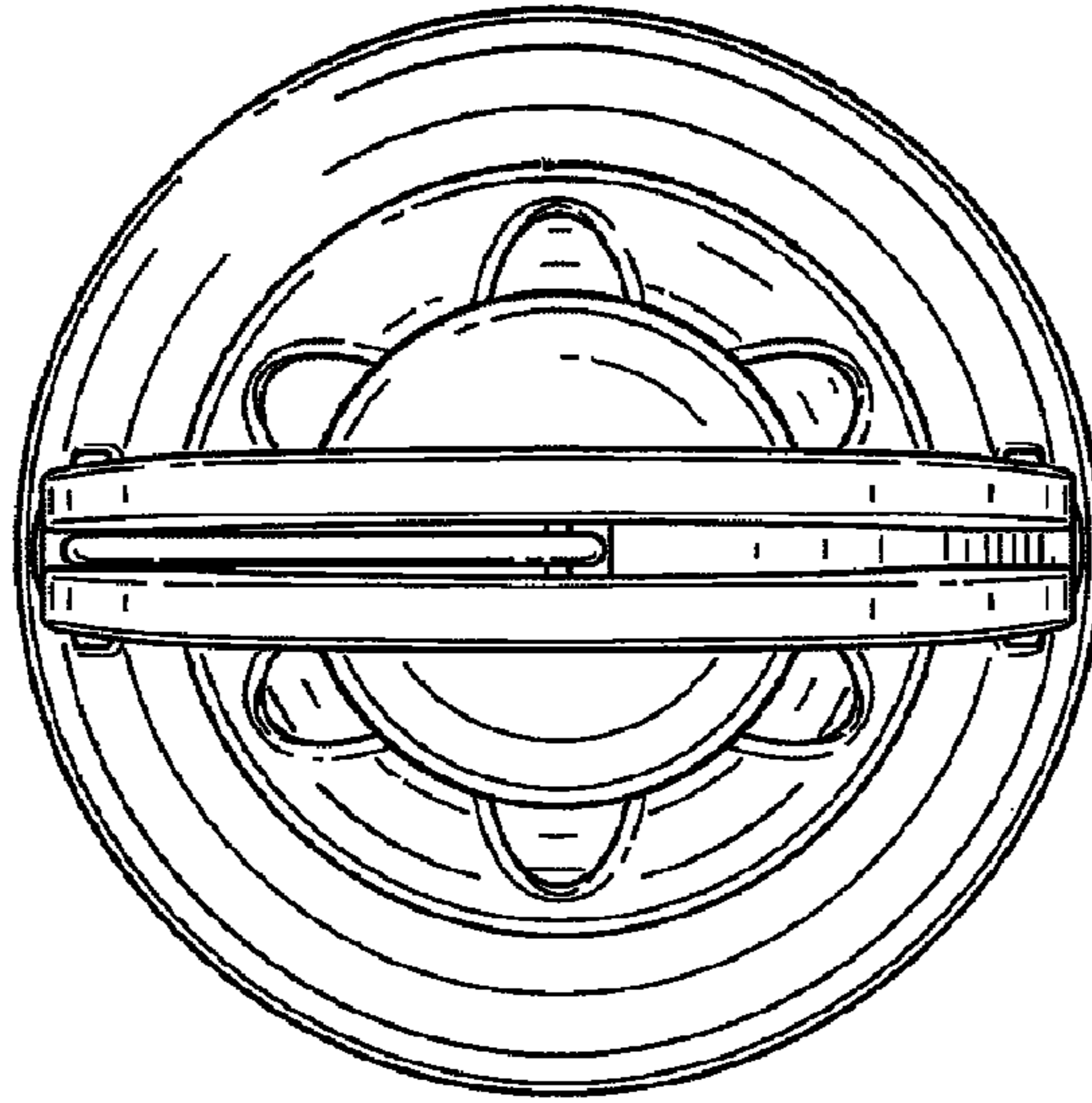


FIG. 6

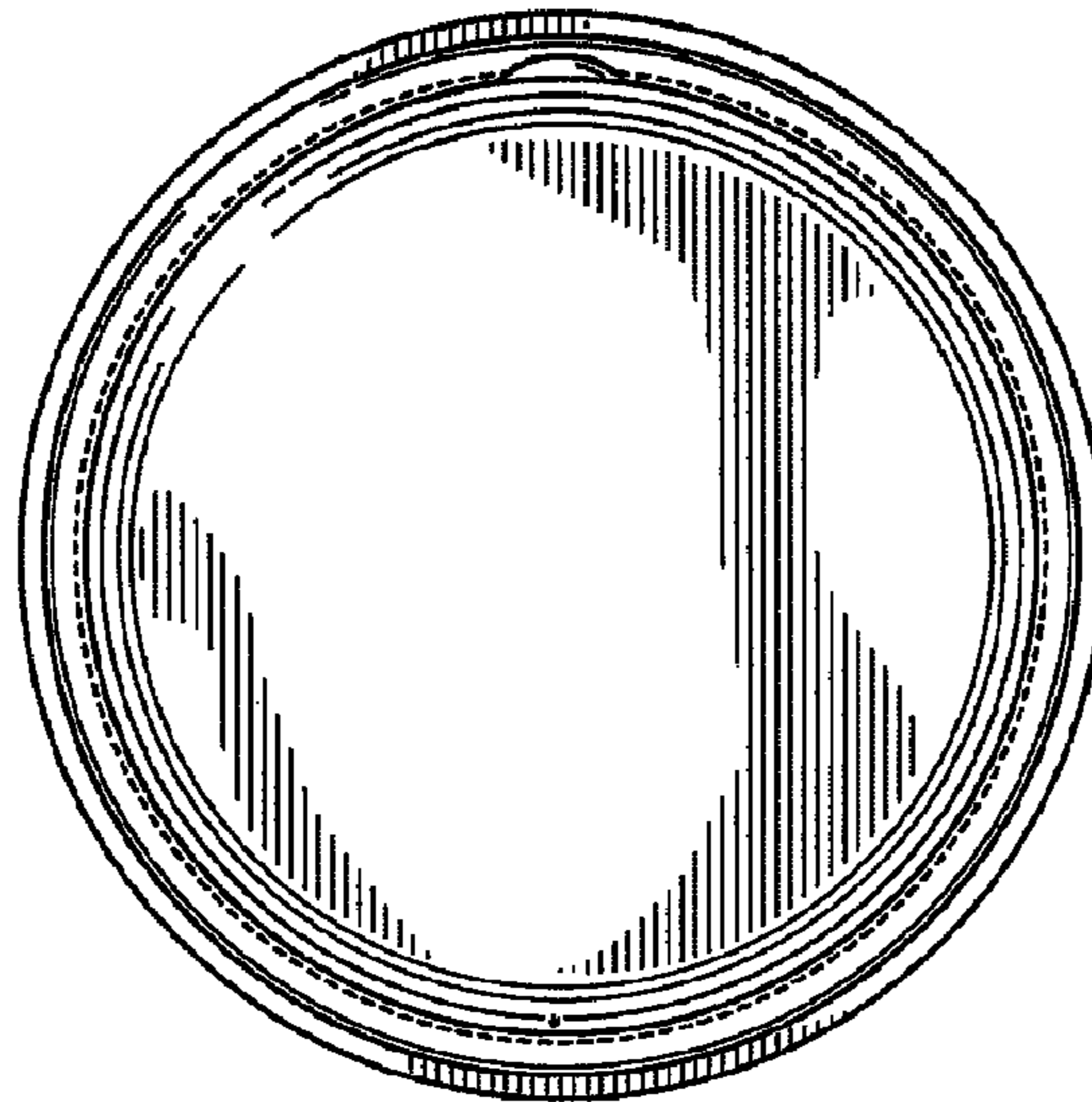


FIG. 7