



US00D652543S

(12) **United States Design Patent**
Kim et al.

(10) **Patent No.:** **US D652,543 S**
(45) **Date of Patent:** **** Jan. 17, 2012**

(54) **PORTION OF A LED LAMP**

(75) Inventors: **Jihoo Kim**, Seoul (KR); **Tae Young Choi**, Seoul (KR); **Dong Nyung Lim**, Seoul (KR); **Sung Ho Kim**, Seoul (KR); **Cheonjoo Kim**, Seoul (KR)

(73) Assignee: **LG Innotek Co., Ltd**, Seoul (KR)

(**) Term: **14 Years**

(21) Appl. No.: **29/389,992**

(22) Filed: **Apr. 19, 2011**

(30) **Foreign Application Priority Data**

Oct. 22, 2010 (KR) 30-2010-0045792

(51) **LOC (9) Cl.** **26-04**

(52) **U.S. Cl.** **D26/2**

(58) **Field of Classification Search** D26/1-4;
313/313, 315, 316, 317, 318, 493; 315/52,
315/53, 56, 57, 58

See application file for complete search history.

(56) **References Cited**

U.S. PATENT DOCUMENTS

D531,741 S *	11/2006	Takahashi	D26/2
D538,953 S *	3/2007	Mama	D26/2
D548,369 S *	8/2007	Bembridge	D26/2
D549,360 S *	8/2007	An	D26/2
D550,864 S *	9/2007	Hernandez et al.	D26/2
D553,267 S *	10/2007	Yuen	D26/2
D602,614 S *	10/2009	Takahashi et al.	D26/2
D628,320 S *	11/2010	Yamamoto	D26/2

* cited by examiner

Primary Examiner — Marcus Jackson

(74) *Attorney, Agent, or Firm* — Lowe Hauptman Ham & Berner

(57) **CLAIM**

The ornamental design for a portion of a LED lamp, as shown and described.

DESCRIPTION

FIG. 1 is a perspective view of a portion of a LED lamp showing my/our new design;
FIG. 2 is a front elevational view thereof;
FIG. 3 is a rear elevational view thereof;
FIG. 4 is a left side elevational view thereof;
FIG. 5 is a right side elevational view thereof;
FIG. 6 is a top plan view thereof; and,
FIG. 7 is a bottom plan view thereof.

1 Claim, 4 Drawing Sheets

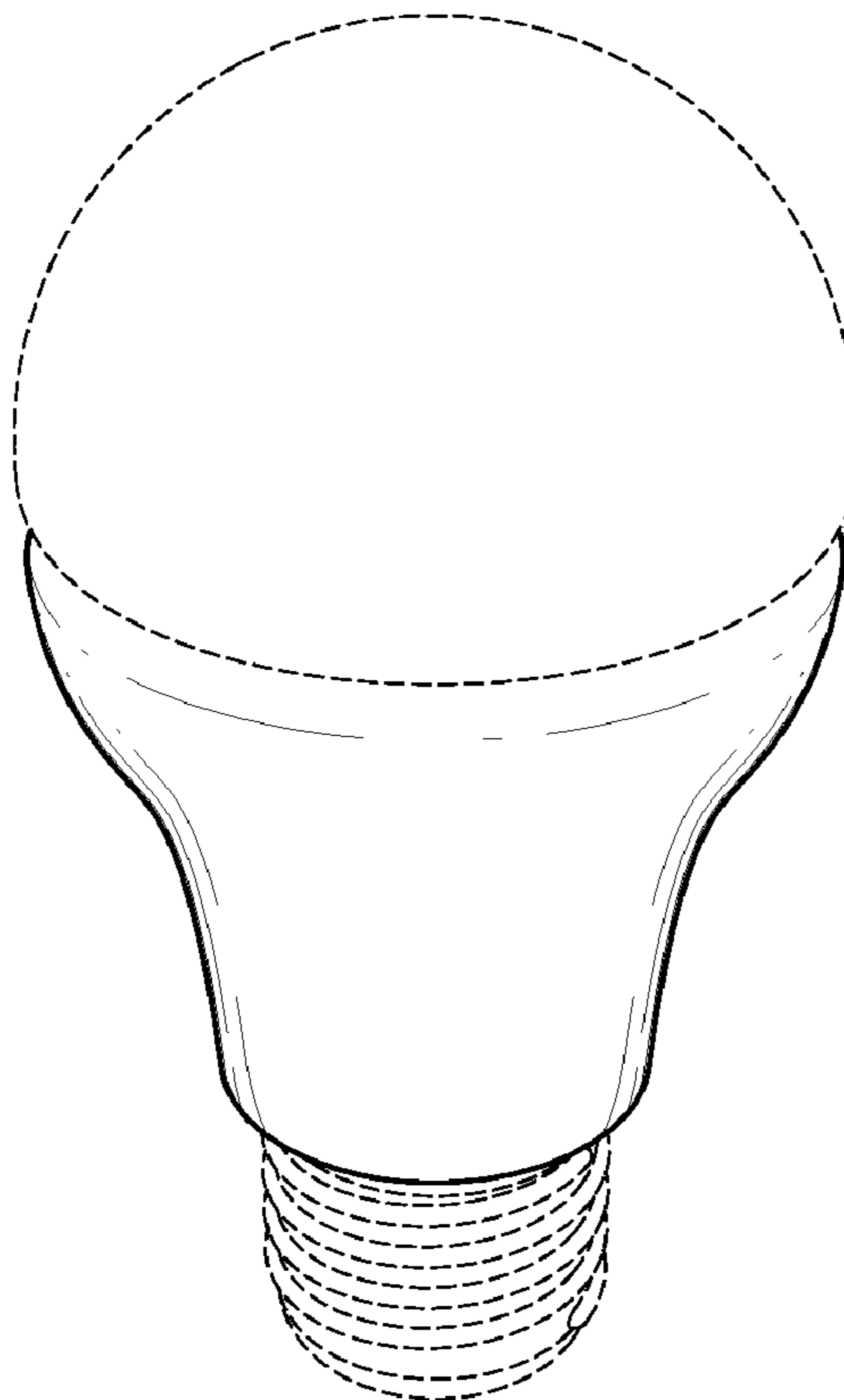


FIG. 1

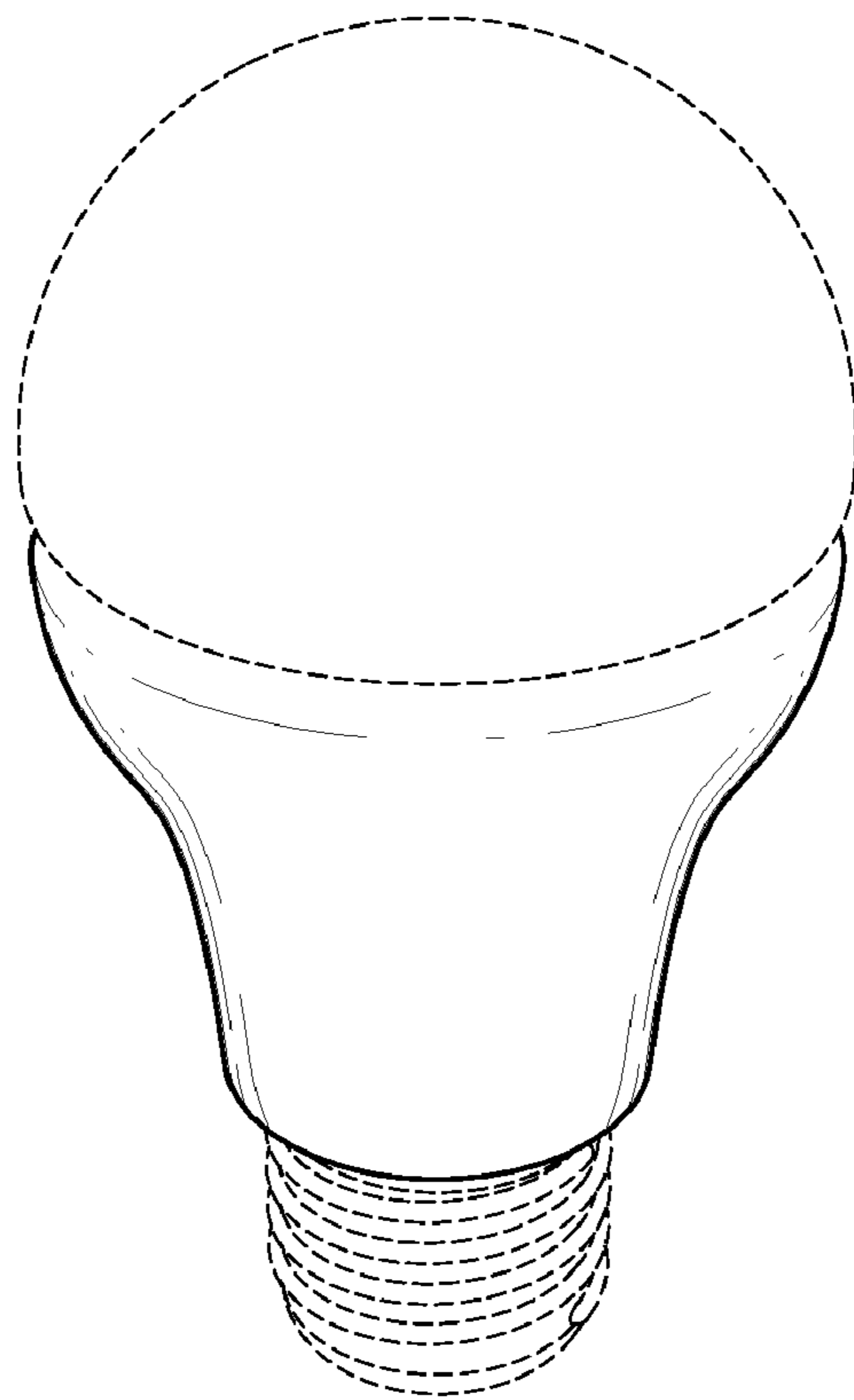


FIG. 2

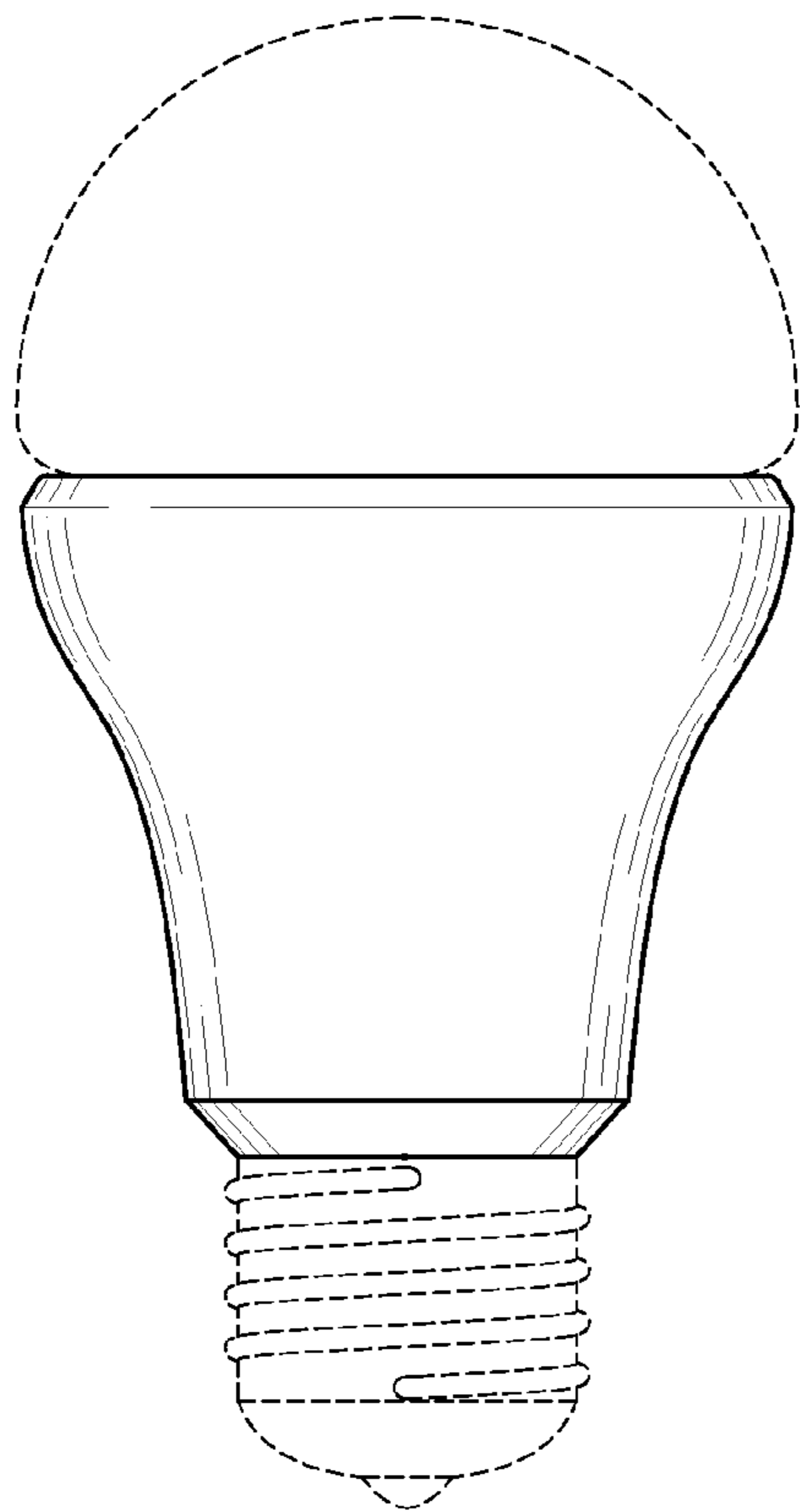


FIG. 3

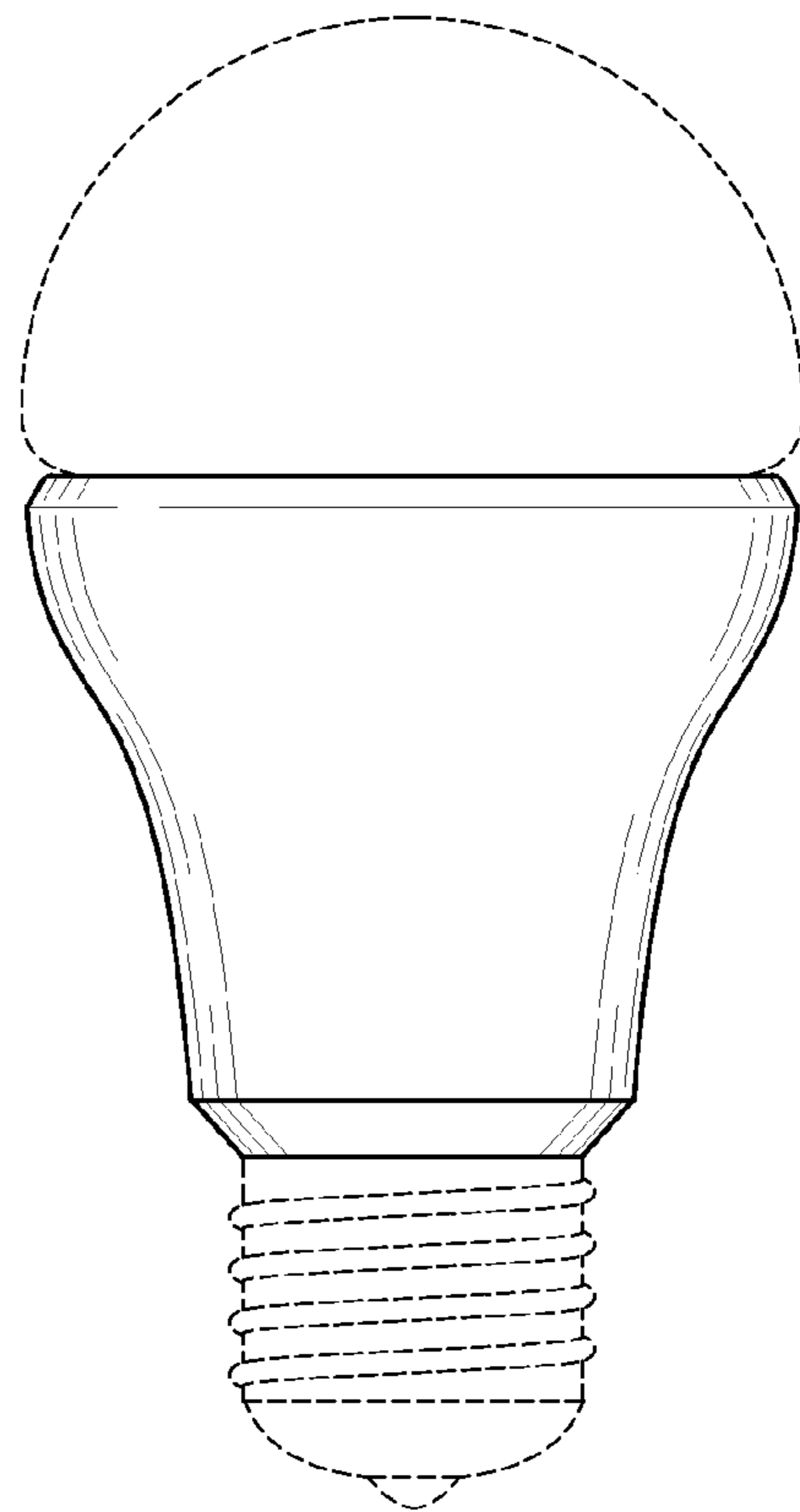


FIG. 4

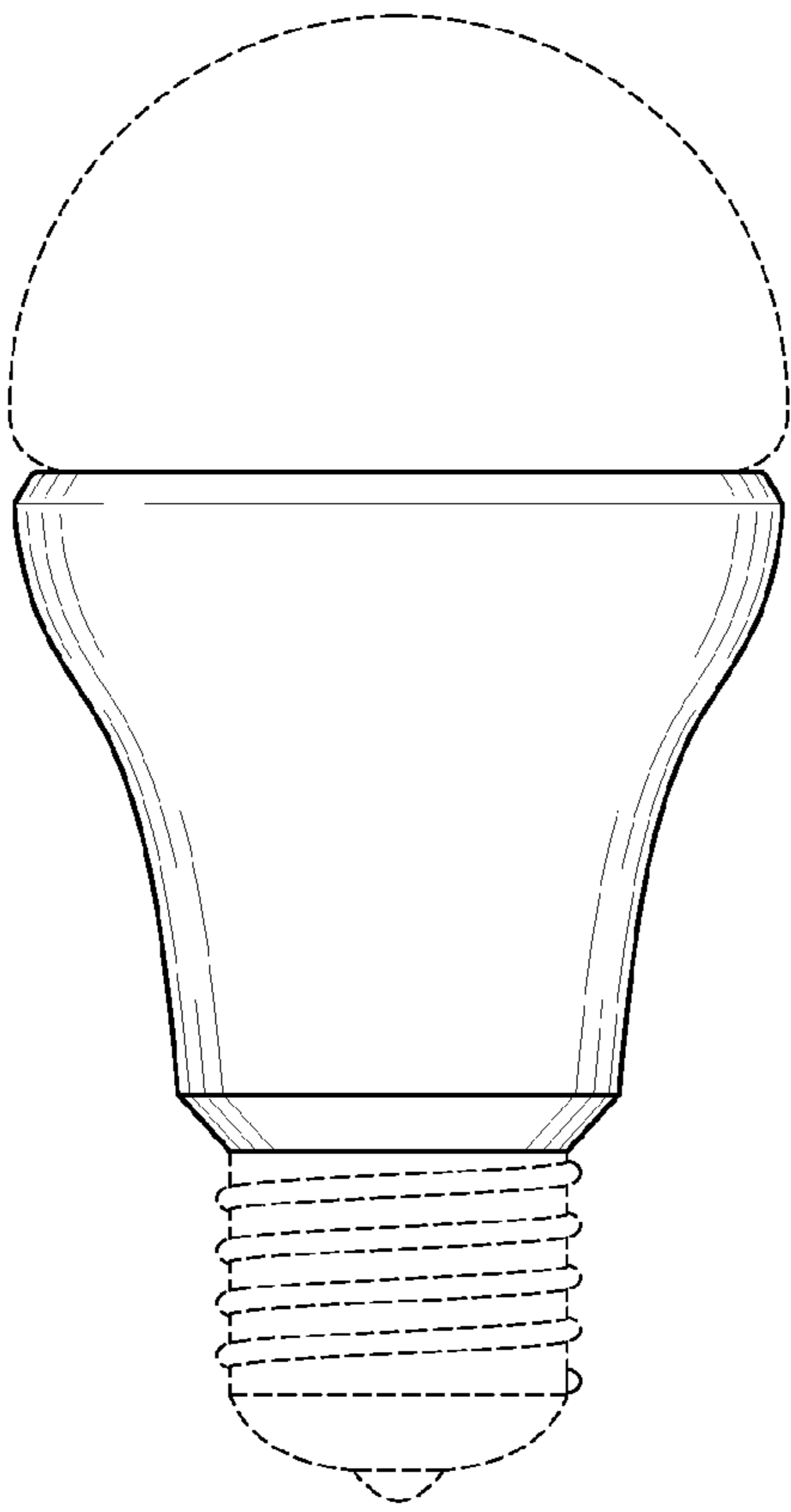


FIG. 5

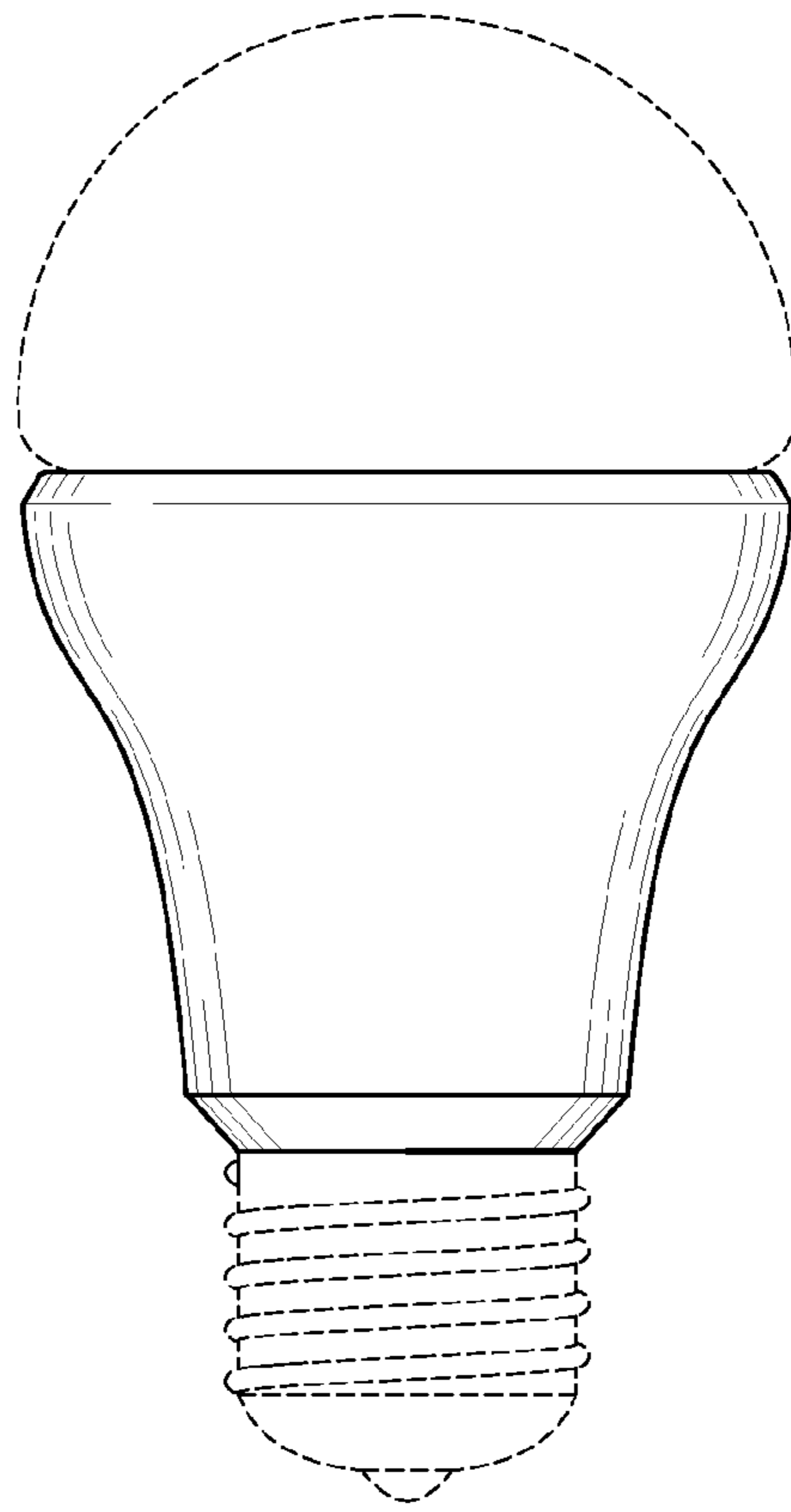


FIG. 6

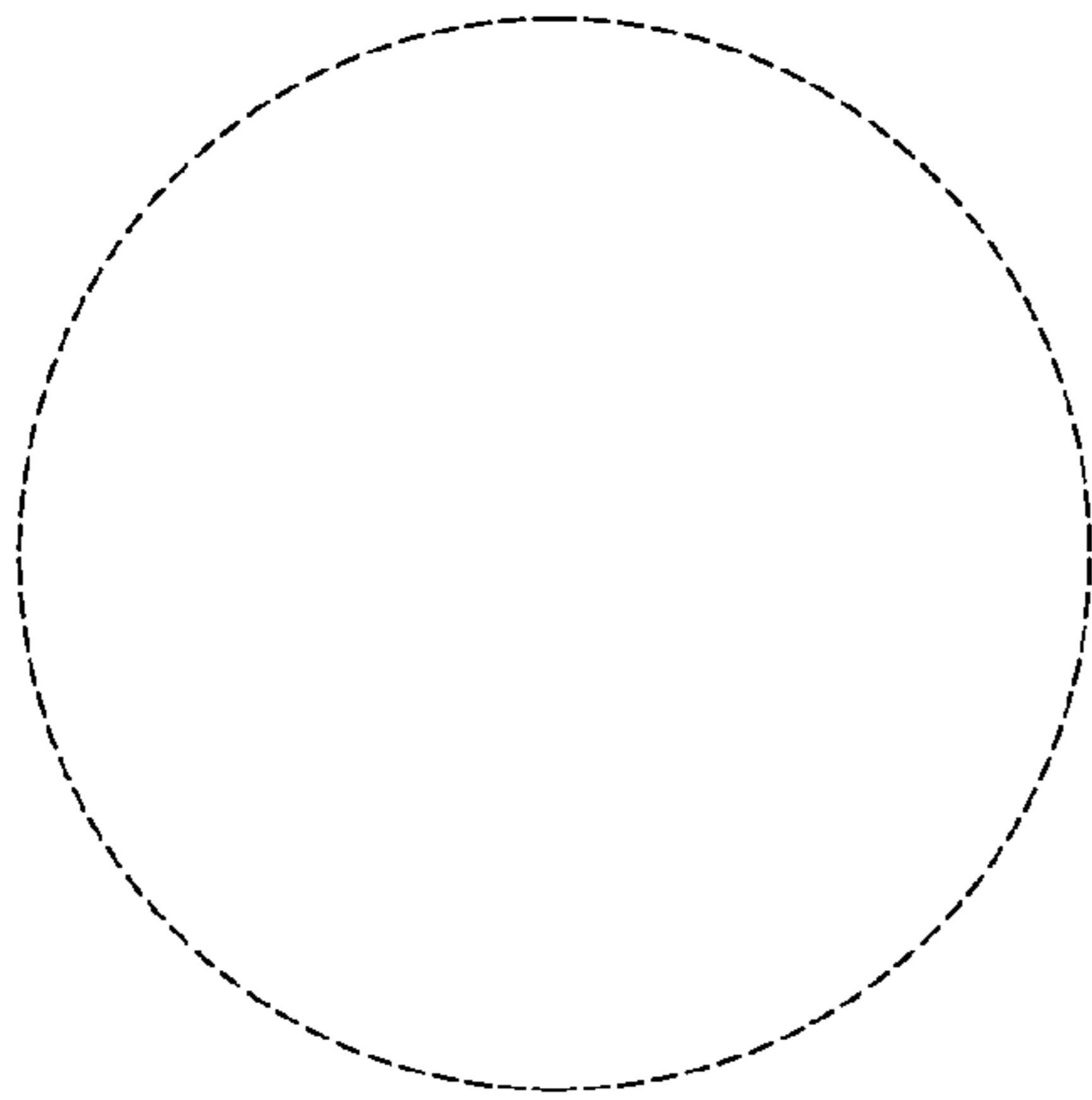


FIG. 7

