



US00D652534S

(12) **United States Design Patent**
Hamanaka et al.

(10) **Patent No.:** **US D652,534 S**
(45) **Date of Patent:** **** Jan. 17, 2012**

(54) **LUMINESCENT ELEMENT WITH A LENS**

(75) Inventors: **Kenjiro Hamanaka**, Tokyo (JP);
Takahiro Hashimoto, Tokyo (JP);
Hideshi Nagata, Tokyo (JP); **Seiji Ohno**, Tokyo (JP)

(73) Assignee: **Fuji Xerox Co. Ltd.**, Tokyo (JP)

(**) Term: **14 Years**

(21) Appl. No.: **29/343,116**

(22) Filed: **Sep. 8, 2009**

Related U.S. Application Data

(62) Division of application No. 29/239,243, filed on Sep. 28, 2005, now Pat. No. Des. 602,177.

(51) **LOC (9) Cl.** **26-04**

(52) **U.S. Cl.** **D26/1**

(58) **Field of Classification Search** D26/1,
D26/24-26, 51-52, 60; 362/182, 184-186,
362/194, 652-656

See application file for complete search history.

(56) **References Cited**

U.S. PATENT DOCUMENTS

D576,970 S	9/2008	Uemoto et al.	
D578,226 S	10/2008	West et al.	
D578,671 S	10/2008	Kanayama et al.	
D602,177 S	* 10/2009	Hamanaka et al.	D26/1
D602,613 S	* 10/2009	Hamanaka et al.	D26/1

FOREIGN PATENT DOCUMENTS

JP	2006 187246	7/2006
JP	2006 188338	7/2006

OTHER PUBLICATIONS

USPTO Office Communication Dated Mar. 19, 2009 for U.S. Appl. No. 29/239,243.

USPTO Office Communication Dated Mar. 19, 2009 for U.S. Appl. No. 29/239,401.

* cited by examiner

Primary Examiner — Marcus Jackson

(74) *Attorney, Agent, or Firm* — RatnerPrestia

(57) **CLAIM**

The ornamental design for a luminescent element with a lens, as shown and described.

DESCRIPTION

FIG. 1 is a top plan view showing a luminescent element with a lens in which an array of luminescent elements with lenses is mounted on a substrate;

FIG. 2 is a perspective view thereof;

FIG. 3 is a front view thereof;

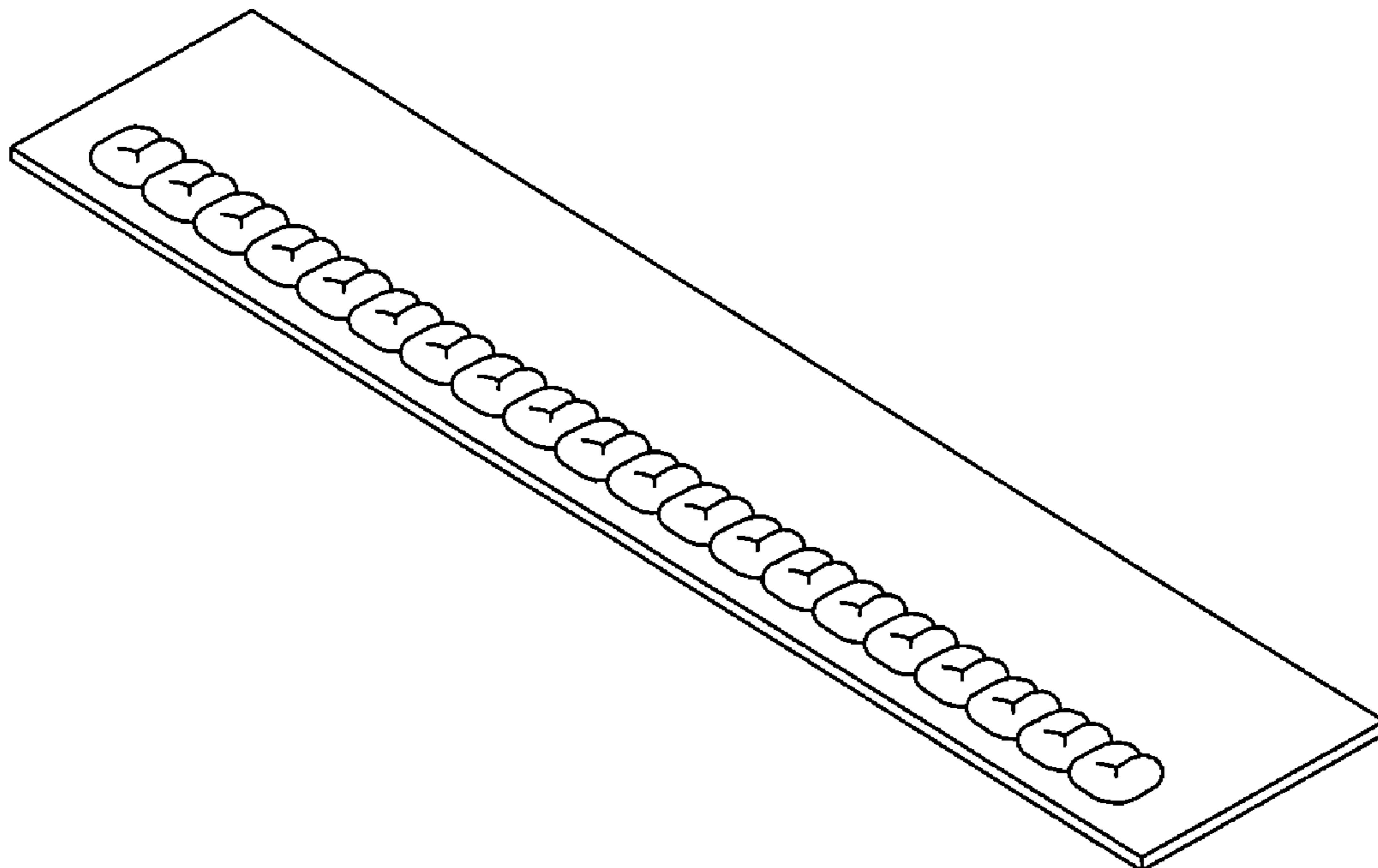
FIG. 4 is a rear view thereof;

FIG. 5 is a left side view thereof;

FIG. 6 is a right side view thereof; and,

FIG. 7 is a bottom view thereof.

1 Claim, 4 Drawing Sheets



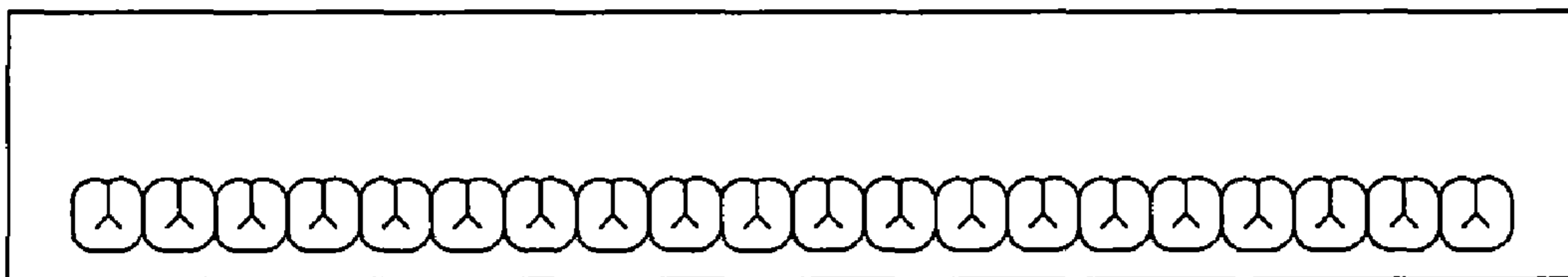


FIG. 1

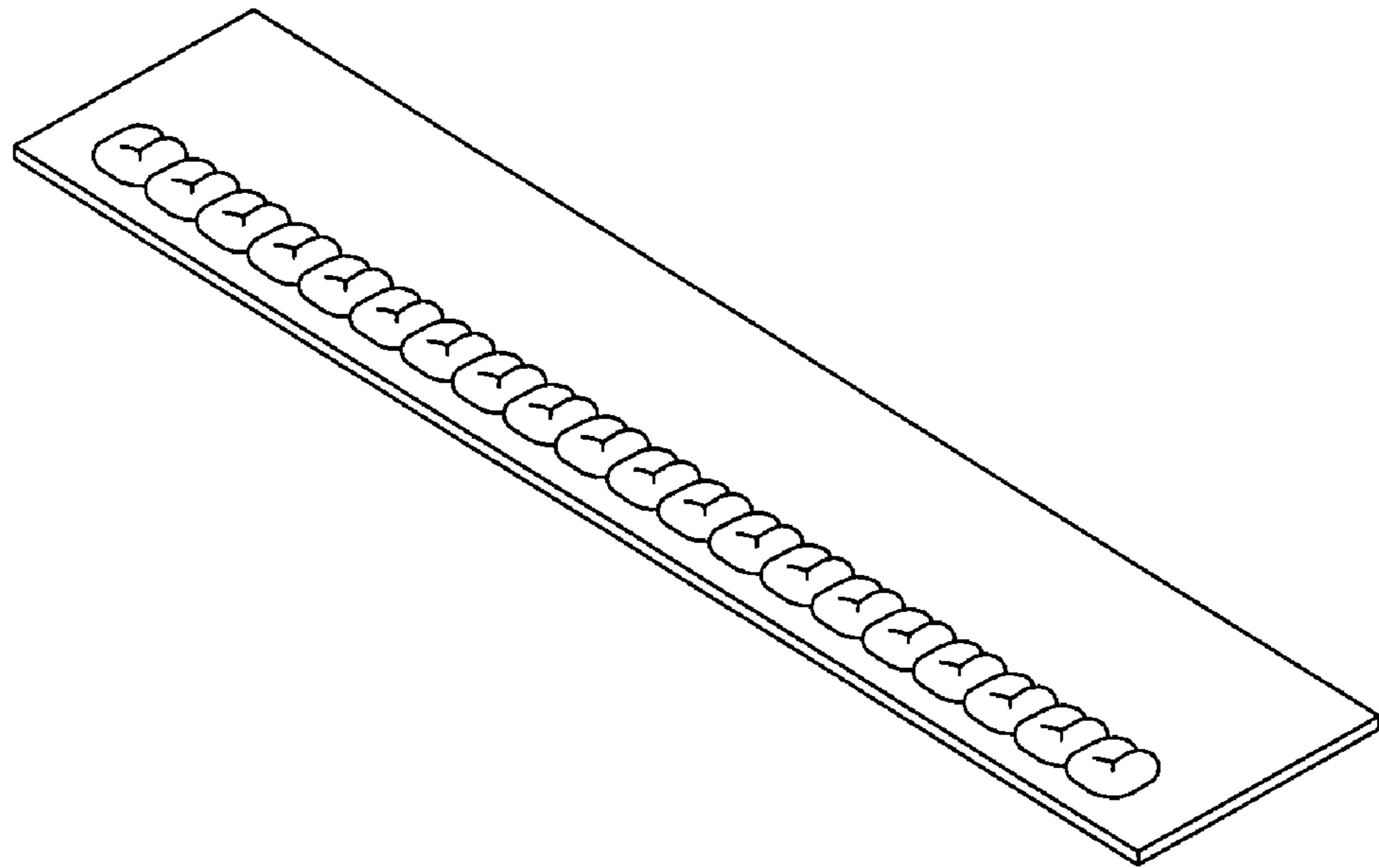


FIG. 2



FIG. 3



FIG. 4



FIG. 5



FIG. 6



FIG. 7