



US00D652530S

(12) **United States Design Patent**
Walsh et al.

(10) **Patent No.:** **US D652,530 S**
(45) **Date of Patent:** **** Jan. 17, 2012**

(54) **GLASS LITE**

(56) **References Cited**

(75) Inventors: **Jason Walsh**, Batavia, IL (US); **Bruce Pennington**, Coquitlam (CA); **Keith Kometer**, Tampa, FL (US)

(73) Assignee: **Masonite Corporation**, Tampa, FL (US)

(**) Term: **14 Years**

(21) Appl. No.: **29/357,138**

(22) Filed: **Mar. 8, 2010**

U.S. PATENT DOCUMENTS

| | | | | | | |
|----------|---|---|--------|-------------|-------|---------|
| D265,933 | S | * | 8/1982 | Simpson | | D25/103 |
| D373,642 | S | * | 9/1996 | Lint et al. | | D25/138 |
| D392,748 | S | * | 3/1998 | Lint et al. | | D25/103 |
| D490,908 | S | * | 6/2004 | Barnard | | D25/103 |
| D491,278 | S | * | 6/2004 | Barnard | | D25/103 |
| D590,069 | S | * | 4/2009 | Hu | | D25/103 |
| D607,583 | S | * | 1/2010 | Hu | | D25/103 |
| D608,461 | S | * | 1/2010 | Hu | | D25/103 |
| D631,173 | S | * | 1/2011 | Hu | | D25/103 |
| D642,285 | S | * | 7/2011 | Hu | | D25/103 |
| D642,286 | S | * | 7/2011 | Hu | | D25/103 |

* cited by examiner

Related U.S. Application Data

(62) Division of application No. 29/330,953, filed on Jan. 16, 2009, now Pat. No. Des. 611,618.

(51) **LOC (9) Cl.** **25-01**

(52) **U.S. Cl.** **D25/103**

(58) **Field of Classification Search** D25/103,
D25/104, 106, 109-111, 113, 138, 149, 157-163,
D25/52; D6/306, 470, 494; 428/13, 34,
428/426; 52/204.59, 171.3, 306

See application file for complete search history.

Primary Examiner — Anhdao Doan

(74) *Attorney, Agent, or Firm* — Berenato & White, LLC

(57) **CLAIM**

The ornamental design for a glass lite, as shown and described.

DESCRIPTION

The sole FIGURE is a front elevational view of a glass lite showing our design, the opposite side being a mirror image.

1 Claim, 1 Drawing Sheet

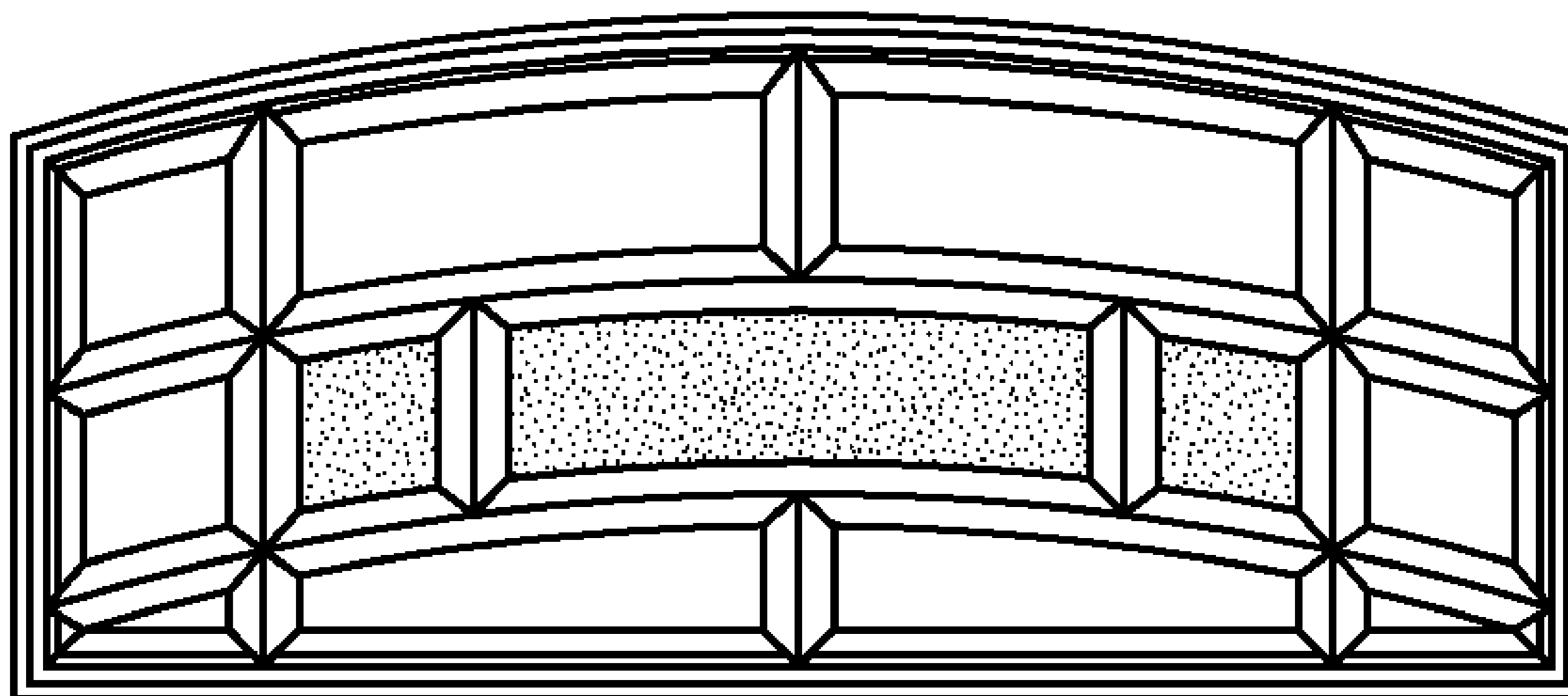


Fig. 1

