



US00D652527S

(12) **United States Design Patent**
Marshall

(10) **Patent No.:** **US D652,527 S**
(45) **Date of Patent:** **** Jan. 17, 2012**

(54) **VIBRATOR**

(75) Inventor: **Ian Peter Marshall**, Kettering (GB)
(73) Assignee: **Rocks Off Limited**, Northamptonshire (GB)

(**) Term: **14 Years**

(21) Appl. No.: **29/385,388**

(22) Filed: **Feb. 14, 2011**

(30) **Foreign Application Priority Data**

Aug. 16, 2010 (EM) 001229900

(51) **LOC (9) Cl.** **28-03**

(52) **U.S. Cl.** **D24/215**

(58) **Field of Classification Search** D24/200,
D24/211-215; 601/39, 40, 48, 52, 63, 68,
601/72, 80, 112, 113, 120, 121, 125, 134,
601/137, 138, DIG. 5, DIG. 14, DIG. 16,
601/DIG. 17

See application file for complete search history.

(56) **References Cited**

U.S. PATENT DOCUMENTS

4,807,603	A *	2/1989	Yasui	601/121
D390,966	S *	2/1998	Huang	D24/211
D543,633	S *	5/2007	McCaffrey	D24/200
D630,761	S *	1/2011	Marshall	D24/215
D636,888	S *	4/2011	Nikitzuk et al.	D24/215
D638,134	S *	5/2011	Nikitzuk et al.	D24/215
D639,442	S *	6/2011	Chandler	D24/190

* cited by examiner

Primary Examiner — Sandra Snapp

(74) *Attorney, Agent, or Firm* — Heslin Rothenberg Farley & Mesiti P.C.

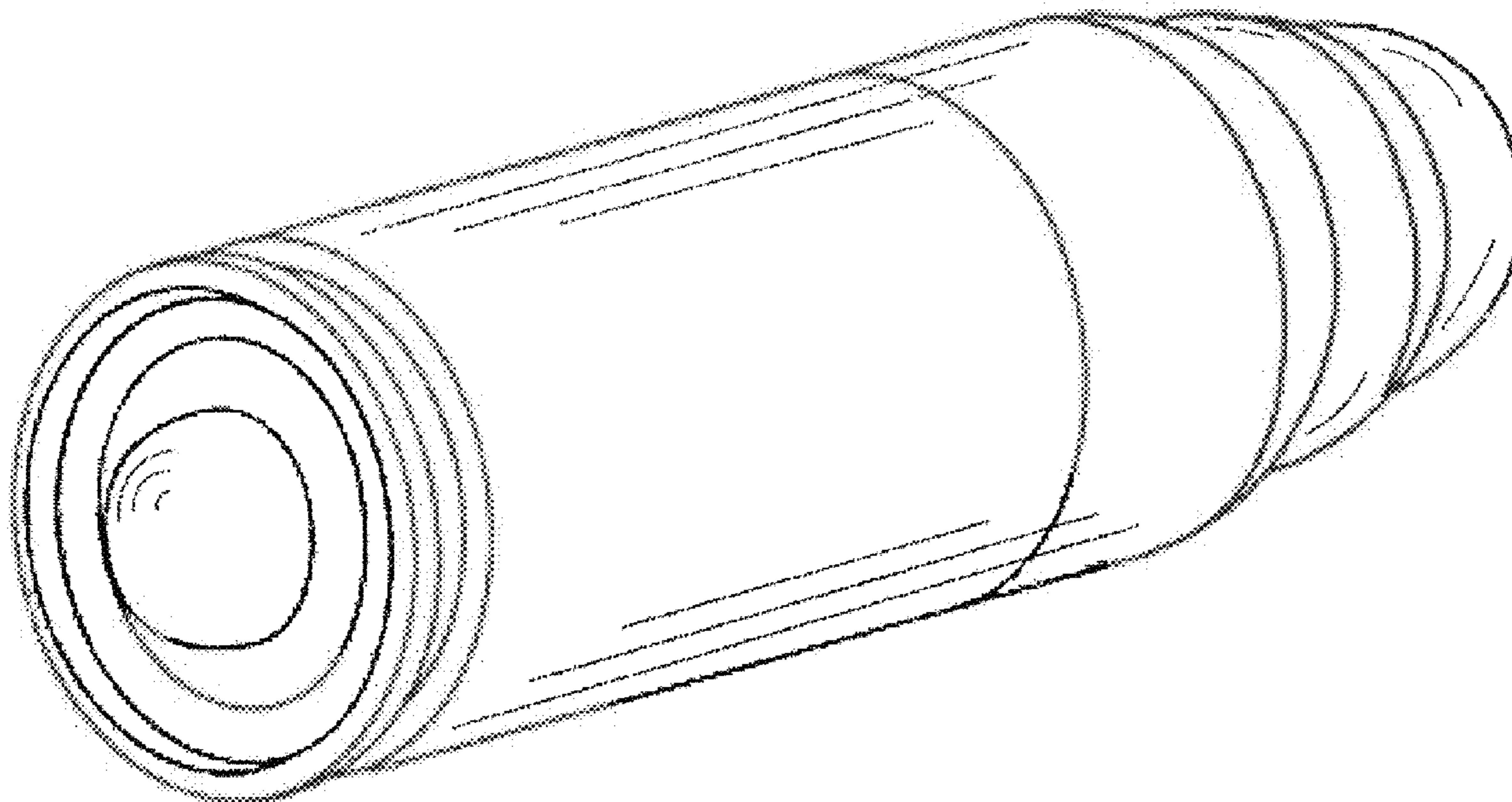
(57) **CLAIM**

The ornamental design for a vibrator, as shown and described.

DESCRIPTION

FIG. 1 is a perspective view of the vibrator of the present invention;
FIG. 2 is a front elevation view thereof, the left side, right side and rear elevation views being identical thereto;
FIG. 3 is a top plan view thereof; and,
FIG. 4 is a bottom plan view thereof.

1 Claim, 4 Drawing Sheets



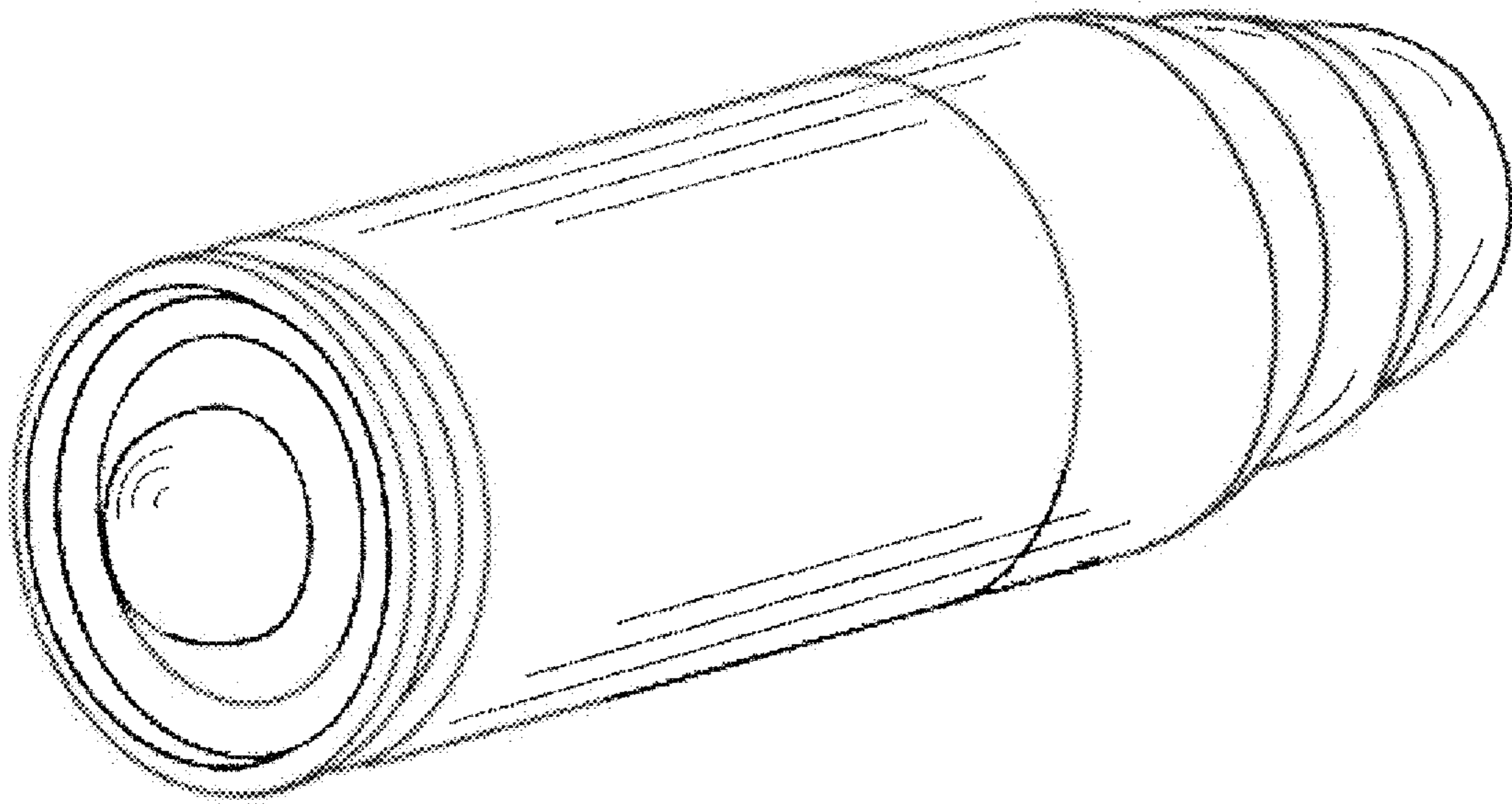


FIGURE 1

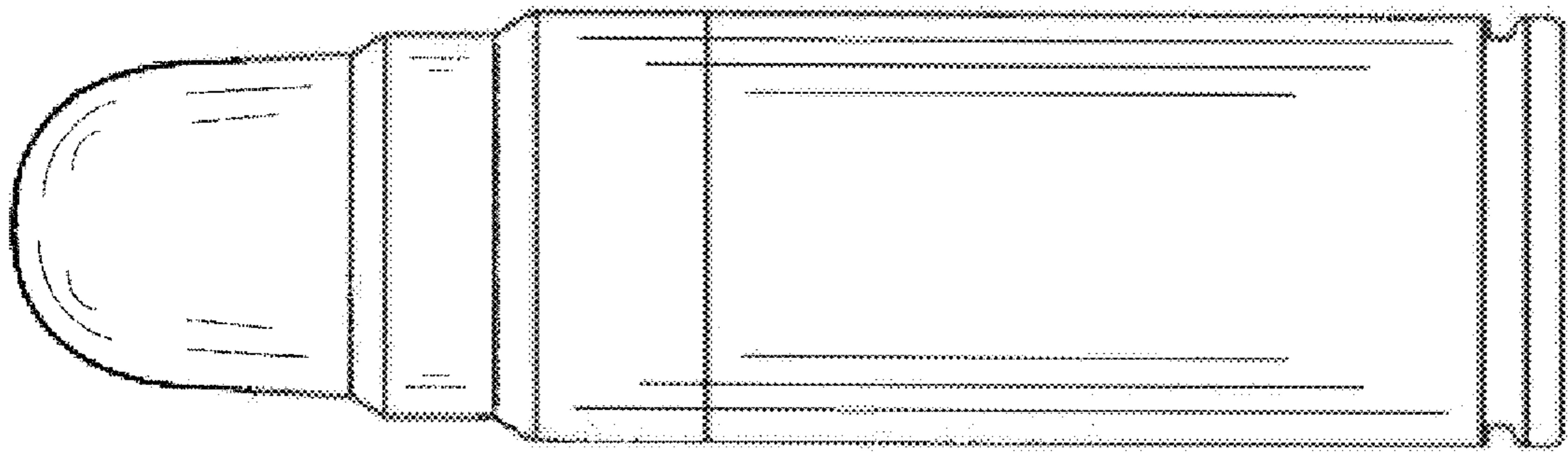


FIGURE 2

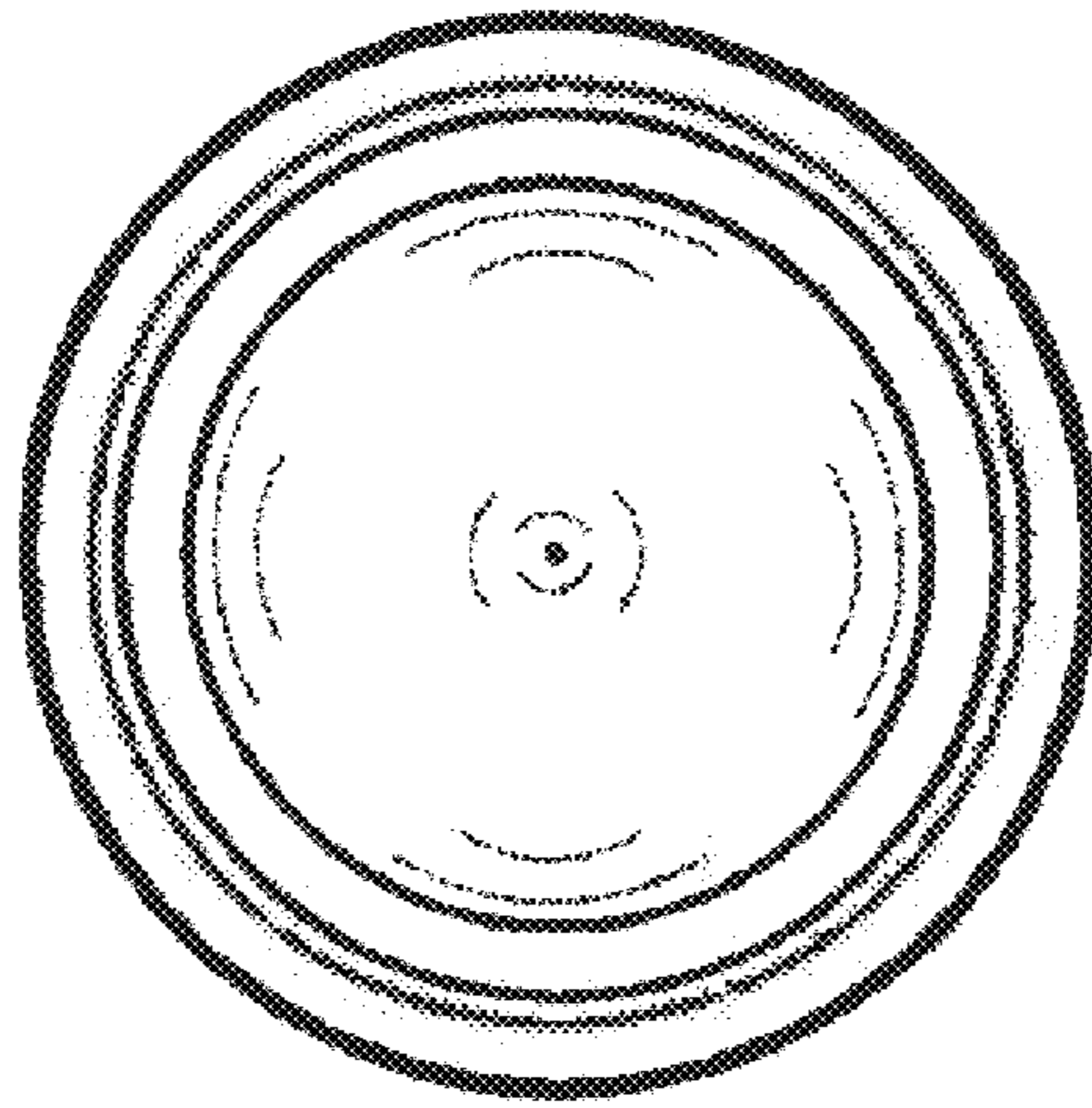


FIGURE 3

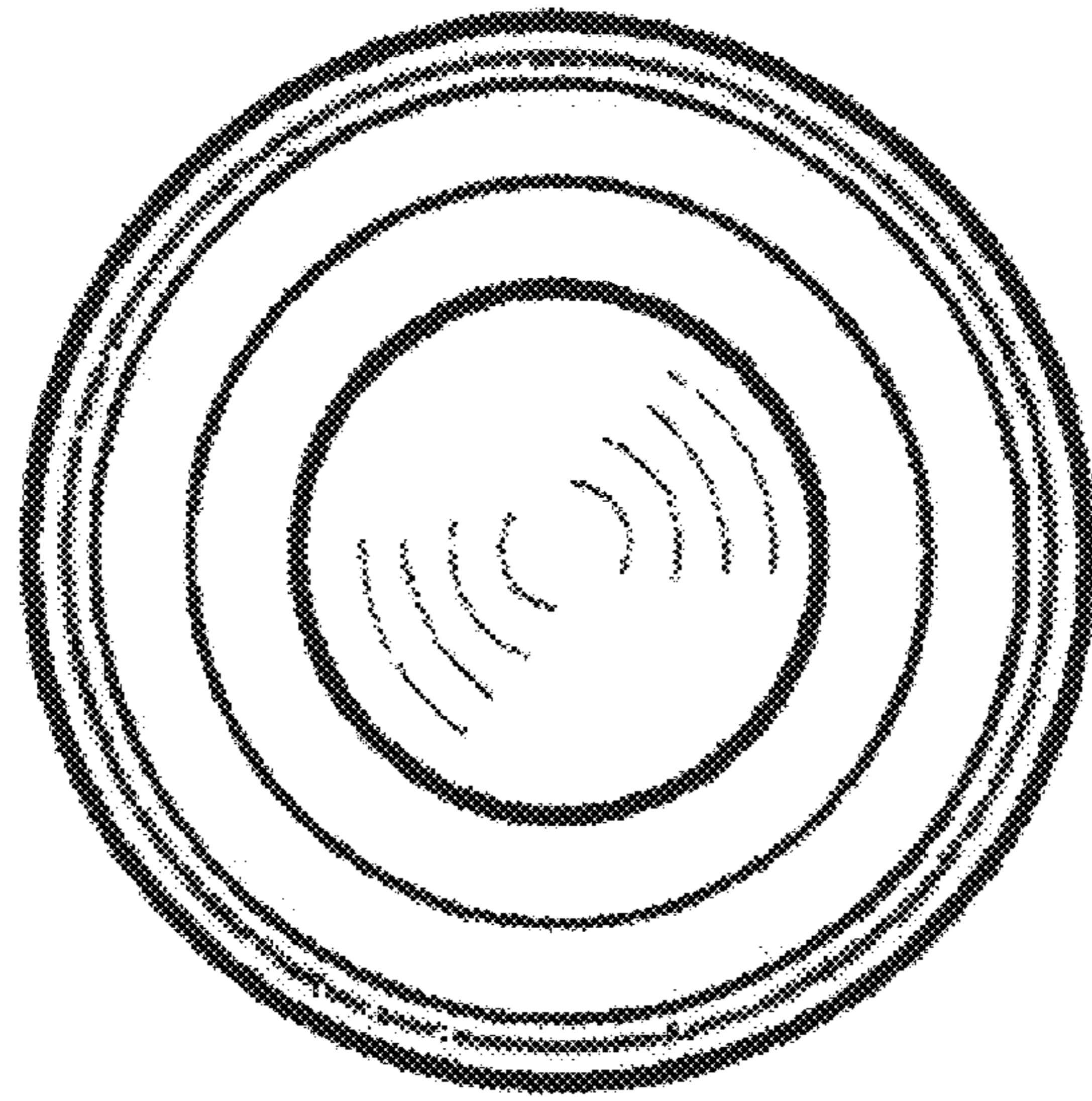


FIGURE 4