



US00D652524S

(12) **United States Design Patent**  
**Messner**

(10) **Patent No.:** **US D652,524 S**  
(45) **Date of Patent:** **\*\* Jan. 17, 2012**

- (54) **MESSAGE APPARATUS**
- (75) Inventor: **Barry Messner**, Anaheim Hills, CA  
(US)
- (73) Assignee: **MerchSource, LLC**, Foothill Ranch, CA  
(US)
- (\*\*) Term: **14 Years**
- (21) Appl. No.: **29/340,174**
- (22) Filed: **Jul. 14, 2009**
- (51) **LOC (9) Cl.** ..... **28-03**
- (52) **U.S. Cl.** ..... **D24/211**
- (58) **Field of Classification Search** ..... D24/200,  
D24/211-215; 601/118, 120, 121, 124, 125,  
601/130, 131, 134-137  
See application file for complete search history.

- D341,445 S \* 11/1993 Morrison et al. .... D28/7
  - D346,449 S \* 4/1994 Cheng ..... D24/211
  - D349,576 S \* 8/1994 Heiligenstein et al. .... D24/211
  - D349,771 S \* 8/1994 Heiligenstein et al. .... D24/211
  - D351,660 S \* 10/1994 Ichikawa et al. .... D24/214
  - D361,386 S \* 8/1995 Vandenbelt ..... D24/211
  - D400,260 S \* 10/1998 Hirakawa et al. .... D24/215
  - D435,110 S \* 12/2000 Chen ..... D24/211
  - D435,913 S \* 1/2001 Harris et al. .... D24/215
  - D466,695 S \* 12/2002 Chen ..... D4/120
  - 2009/0069728 A1 \* 3/2009 Hoffmann et al. .... 601/46
- \* cited by examiner

*Primary Examiner* — Sandra Snapp  
(74) *Attorney, Agent, or Firm* — The Eclipse Group LLP

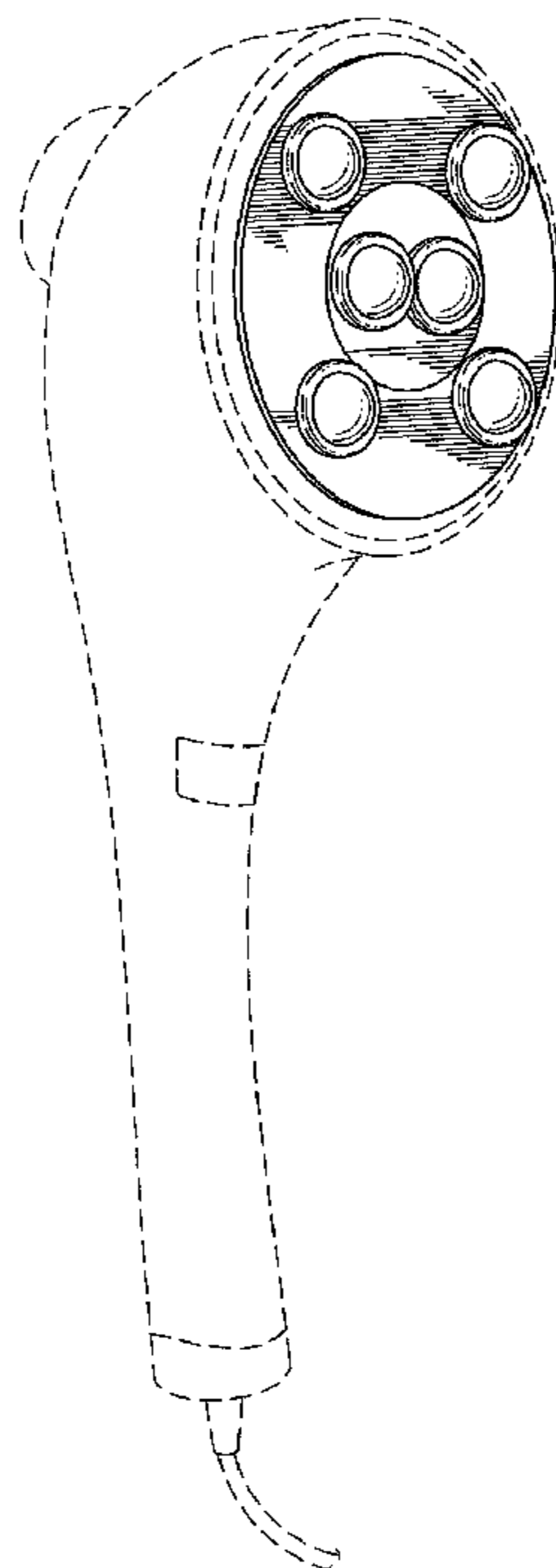
(57) **CLAIM**  
I claim the ornamental design for a massage apparatus, as shown and described.

**DESCRIPTION**

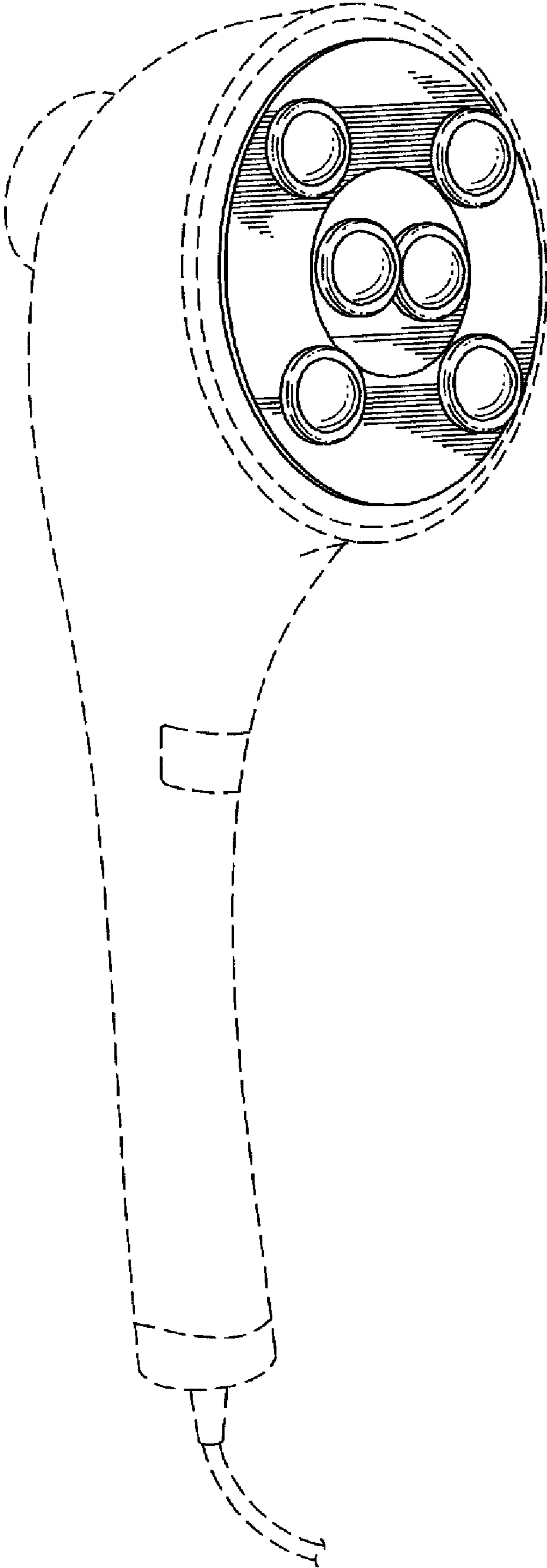
FIG. 1 is a perspective view of a massage apparatus.  
FIG. 2 is a front elevation view of the massage apparatus illustrated in FIG. 1.  
FIG. 3 is an elevation view of the right side of the massage apparatus illustrated in FIG. 1.  
FIG. 4 is an elevation view of the left side of the massage apparatus illustrated in FIG. 1.  
FIG. 5 is a bottom plan view of the massage apparatus illustrated in FIG. 1; and,  
FIG. 6 is a top plan view of the massage apparatus illustrated in FIG. 1.  
The portions of the massage apparatus in broken lines are shown for illustrative purposes only and form no part of the claimed design.

**1 Claim, 5 Drawing Sheets**

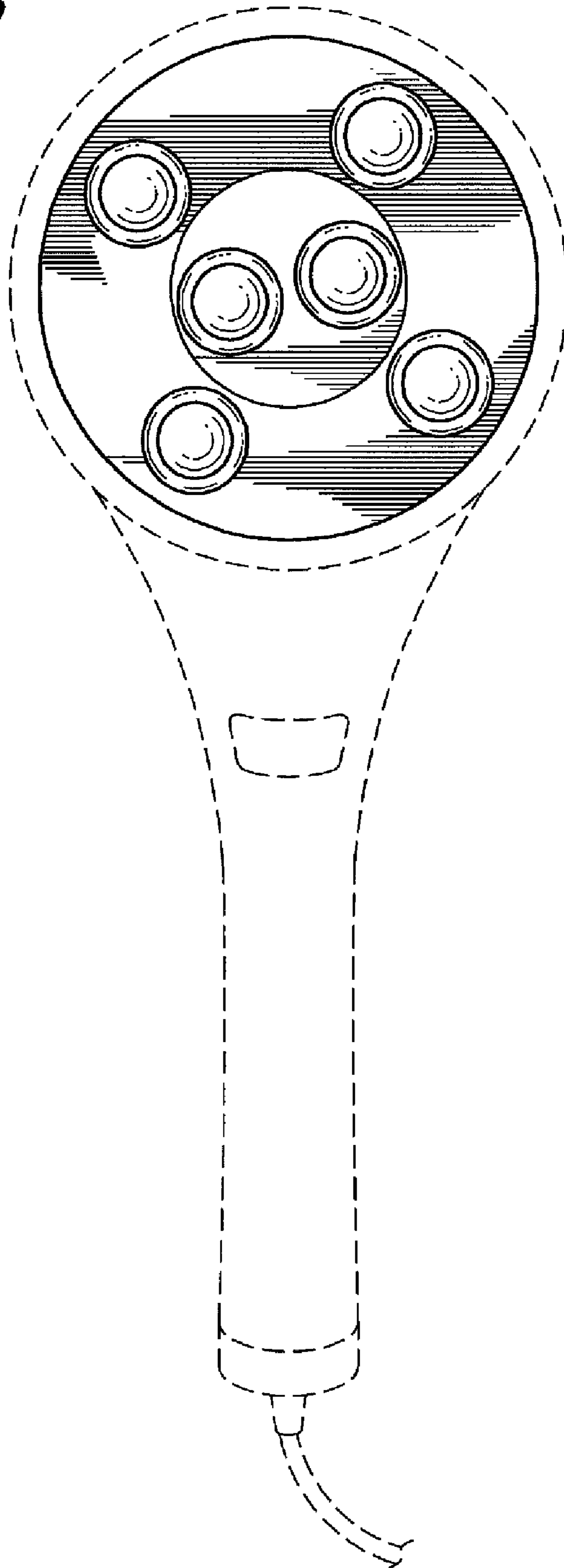
- (56) **References Cited**
- U.S. PATENT DOCUMENTS
- 3,057,348 A \* 10/1962 Baer ..... 601/46
- D249,707 S \* 9/1978 Burke et al. .... D24/211
- D263,872 S \* 4/1982 Rakocy et al. .... D24/214
- D264,754 S \* 6/1982 Vitrac ..... D24/211
- D266,532 S \* 10/1982 Grube ..... D24/211
- D273,708 S \* 5/1984 Haug ..... D24/211
- D281,354 S \* 11/1985 Nakao et al. .... D24/211
- D281,625 S \* 12/1985 Yuen ..... D24/211
- D288,847 S \* 3/1987 Kaeser ..... D24/211
- D301,617 S \* 6/1989 Yonesawa et al. .... D24/211
- 5,088,474 A \* 2/1992 Mabuchi et al. .... 601/110
- D332,143 S \* 12/1992 Mochida et al. .... D24/215
- D333,351 S \* 2/1993 Tsou ..... D24/206
- D334,430 S \* 3/1993 Tsou ..... D24/215
- D339,198 S \* 9/1993 Mochida ..... D24/214



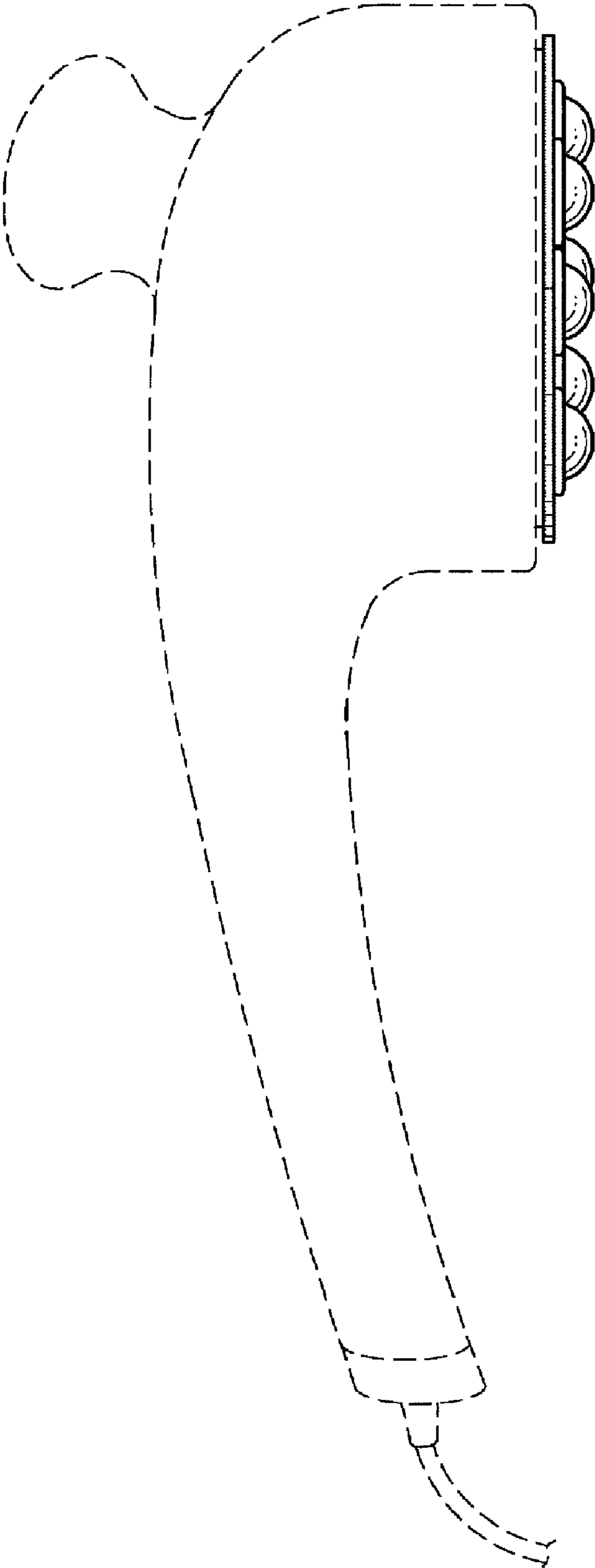
**FIG. 1**



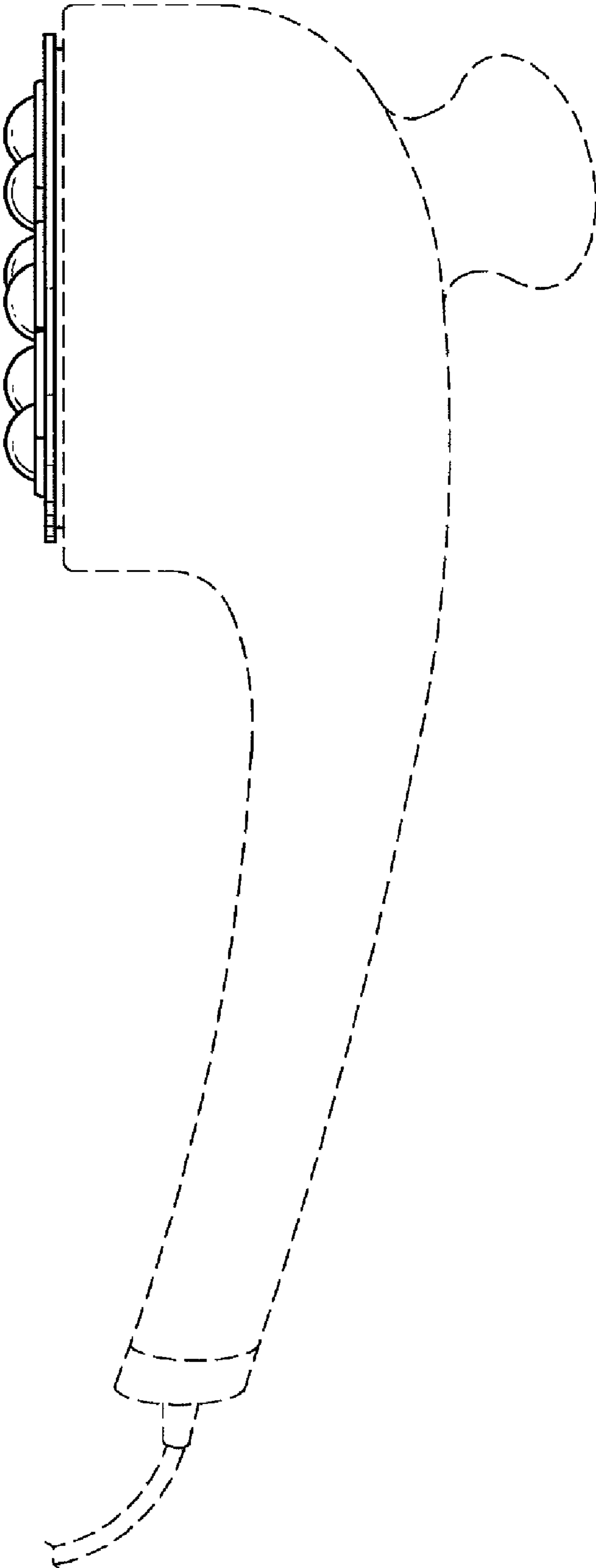
**FIG. 2**



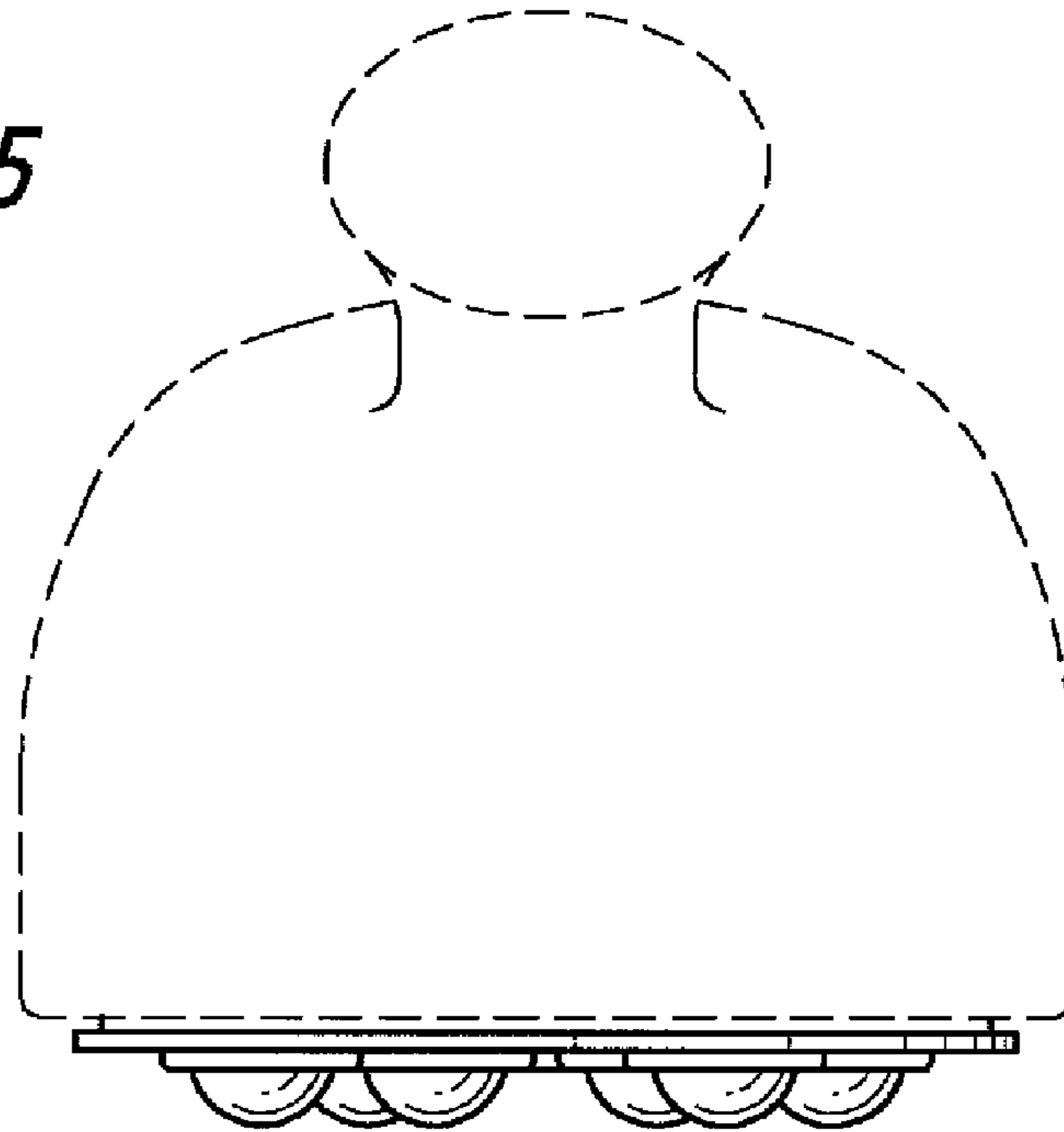
**FIG. 3**



**FIG. 4**



**FIG. 5**



**FIG. 6**

