



US00D652523S

(12) **United States Design Patent**  
**Bradley et al.**

(10) **Patent No.:** **US D652,523 S**  
(45) **Date of Patent:** **\*\* Jan. 17, 2012**

(54) **SKIN CARE DEVICE**  
(75) Inventors: **Chris Bradley**, Orinda, CA (US); **Kate Somerville**, Los Angeles, CA (US); **Jeffrey Tilley**, La Honda, CA (US)

D538,430 S \* 3/2007 Ohta ..... D24/146  
7,204,846 B2 4/2007 Suzuki  
7,305,268 B2 12/2007 Gliner et al.  
7,309,335 B2 12/2007 Altshuler et al.  
7,392,080 B2 6/2008 Eppstein et al.

(73) Assignee: **Kate Somerville Skin Care, LLC**, Los Angeles, CA (US)

FOREIGN PATENT DOCUMENTS  
JP 2002371014 7/2004  
JP 2005258701 3/2007  
WO WO 2004/105586 12/2004  
WO WO 2006/051985 5/2006  
WO WO 2007/119946 10/2007

(\*\*) Term: **14 Years**

(21) Appl. No.: **29/313,467**

OTHER PUBLICATIONS

(22) Filed: **Jan. 7, 2009**

U.S. Appl. No. 11/668,371, filed Jan. 29, 2007, Powell et al.  
U.S. Appl. No. 10/561,061, filed Jan. 18, 2007, Shin.  
U.S. Appl. No. 11/641,617, filed Dec. 19, 2006, Wahlengren et al.  
U.S. Appl. No. 11/415,373, filed May 1, 2006, Altshuler et al.  
U.S. Appl. No. 10/591,960, filed Mar. 9, 2005, Fiset.  
U.S. Appl. No. 10/903,483, filed Aug. 2, 2004, McDaniel.  
U.S. Appl. No. 10/547,081, filed Feb. 26, 2003, Whitehurst.

(51) **LOC (9) Cl.** ..... **28-03**  
(52) **U.S. Cl.** ..... **D24/209**  
(58) **Field of Classification Search** ..... D24/209,  
D24/133, 146, 158, 200, 210, 211-215; D23/223;  
D26/37; D28/13, 17, 49, 50, 51; 362/19,  
362/29, 109, 249, 259, 260, 262, 267, 800;  
601/15; 606/1, 2, 2.5, 9, 131, 132, 133;  
607/1-3, 7, 88, 90-95

\* cited by examiner

See application file for complete search history.

*Primary Examiner* — Derrick Holland  
(74) *Attorney, Agent, or Firm* — Cislo & Thomas, LLP

(56) **References Cited**

(57) **CLAIM**

U.S. PATENT DOCUMENTS

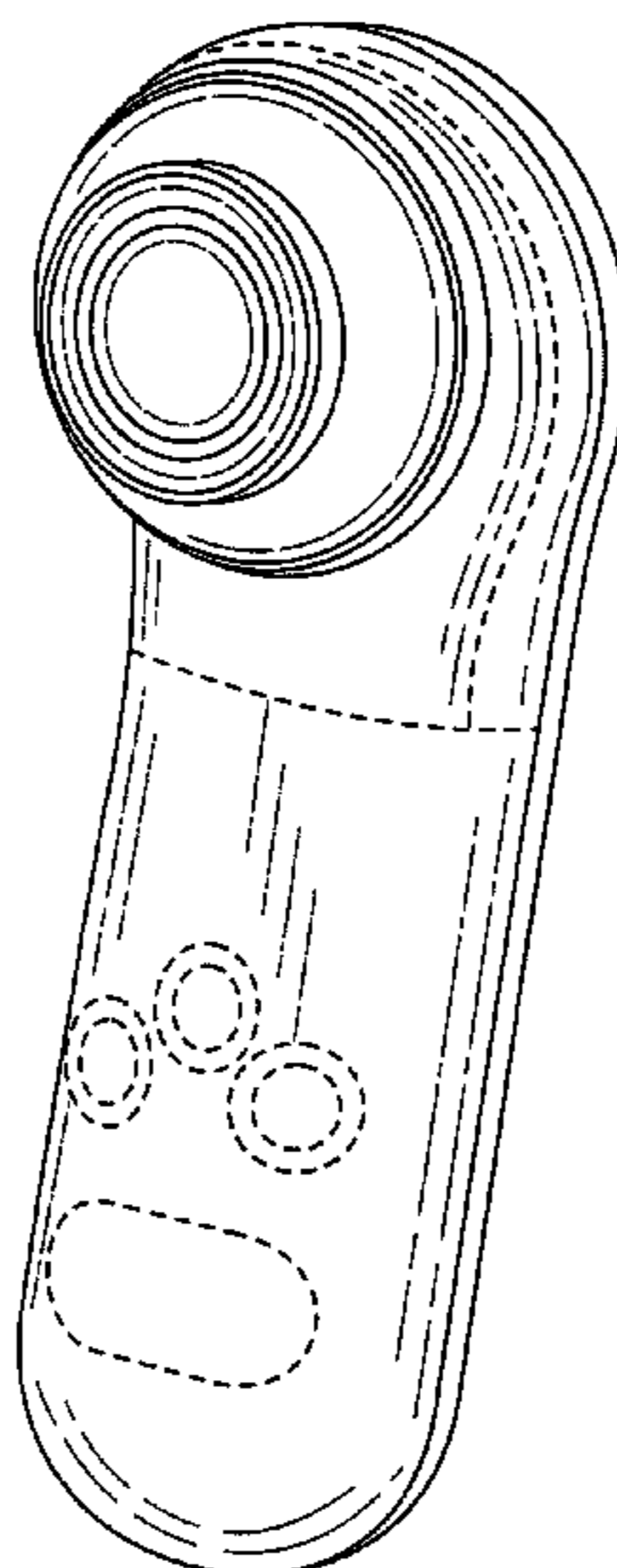
We claim the ornamental design for a skin care device, as shown and described.

5,063,932 A 11/1991 Dahl et al.  
5,271,417 A 12/1993 Swanson et al.  
5,397,338 A 3/1995 Grey et al.  
D397,513 S \* 8/1998 Tu et al. .... D28/51  
D414,582 S \* 9/1999 Hwang ..... D28/9  
6,019,482 A 2/2000 Everett  
6,312,397 B1 \* 11/2001 Gebhard ..... 601/15  
6,356,779 B1 3/2002 Katzenmaier et al.  
6,572,637 B1 \* 6/2003 Yamazaki et al. .... 607/89  
6,633,042 B1 10/2003 Funken et al.  
6,701,172 B2 3/2004 Katzenmaier et al.  
D490,528 S \* 5/2004 Cook et al. .... D24/200  
6,790,205 B1 \* 9/2004 Yamazaki et al. .... 606/9  
D500,168 S \* 12/2004 Ho ..... D28/44  
D500,854 S \* 1/2005 Eichel ..... D24/146  
7,141,034 B2 11/2006 Eppstein et al.  
D533,943 S \* 12/2006 Chen ..... D24/146

**DESCRIPTION**

FIG. 1 Is a front perspective view of a skin care device, showing our new design;  
FIG. 2 Is a front view thereof;  
FIG. 3 Is a back view thereof;  
FIG. 4 Is a right side view thereof;  
FIG. 5 Is a left side view thereof;  
FIG. 6 Is a top plan view thereof; and,  
FIG. 7 Is a bottom plan view thereof.  
The broken lines shown represent unclaimed subject matter and form no part of the claimed design.

**1 Claim, 6 Drawing Sheets**



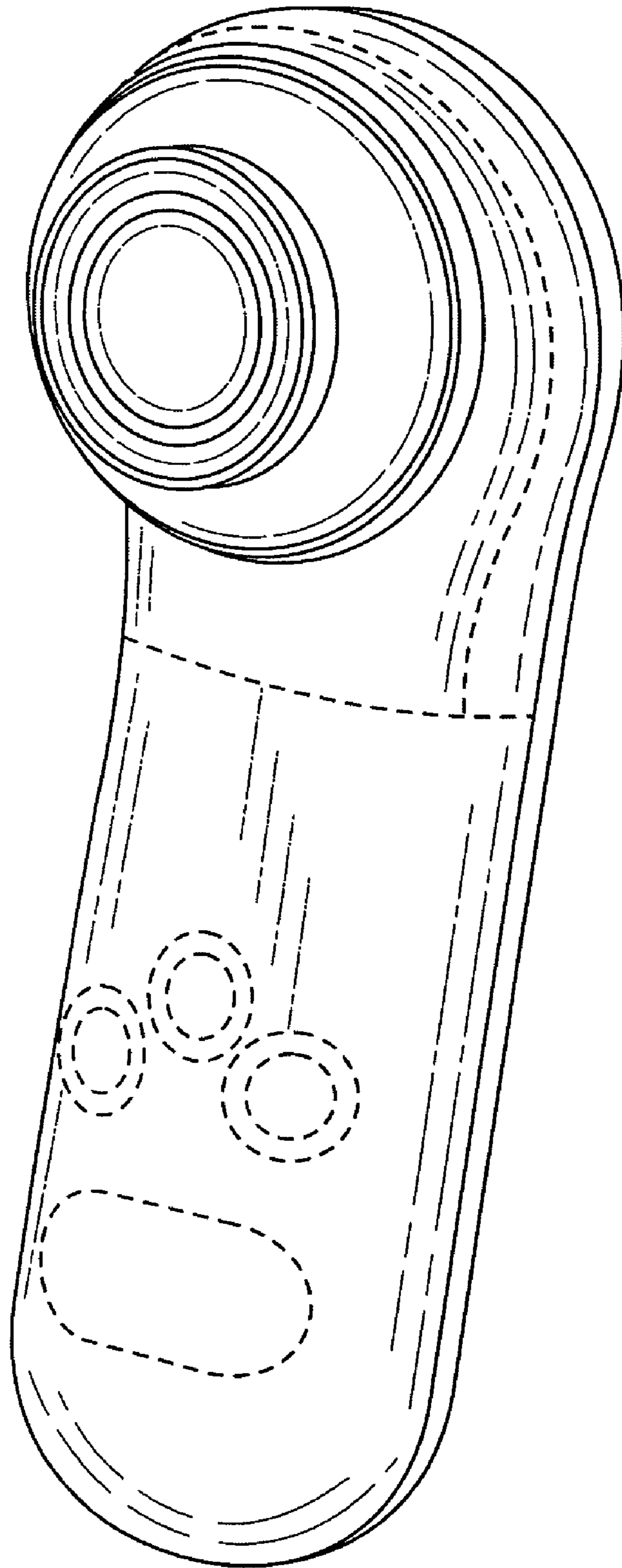


FIG. 1

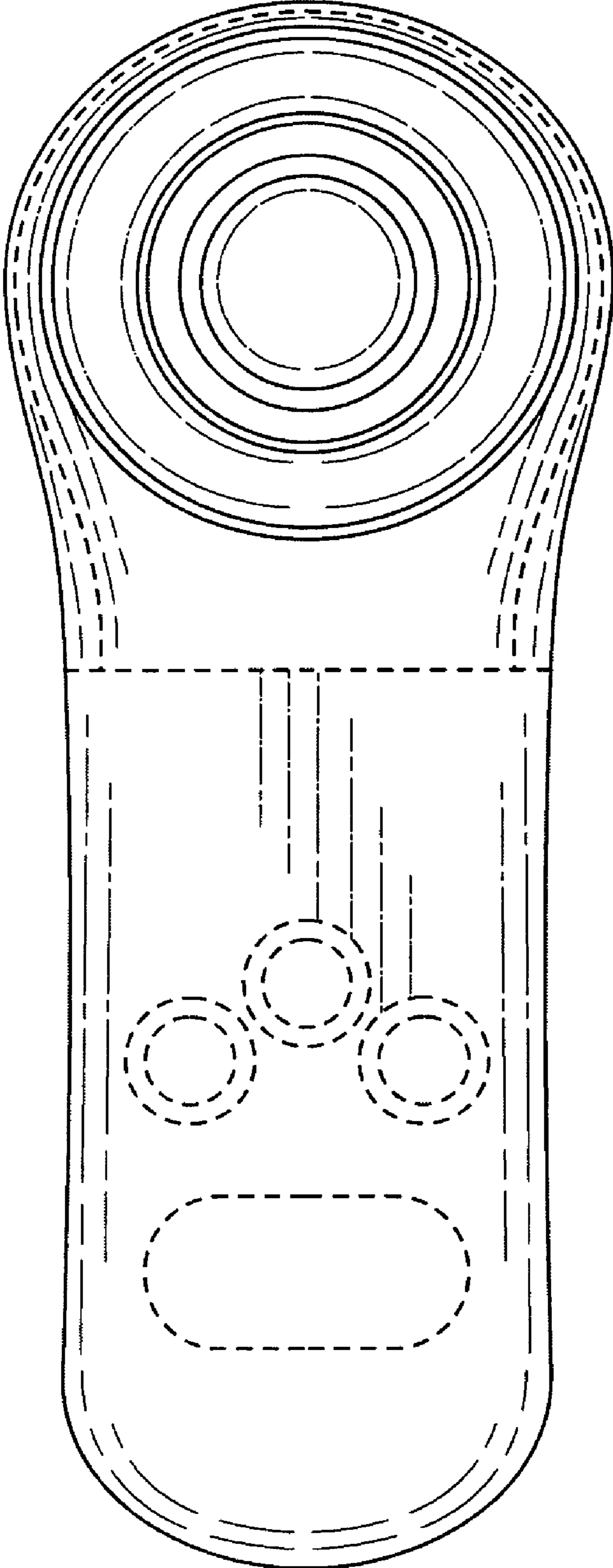


FIG. 2

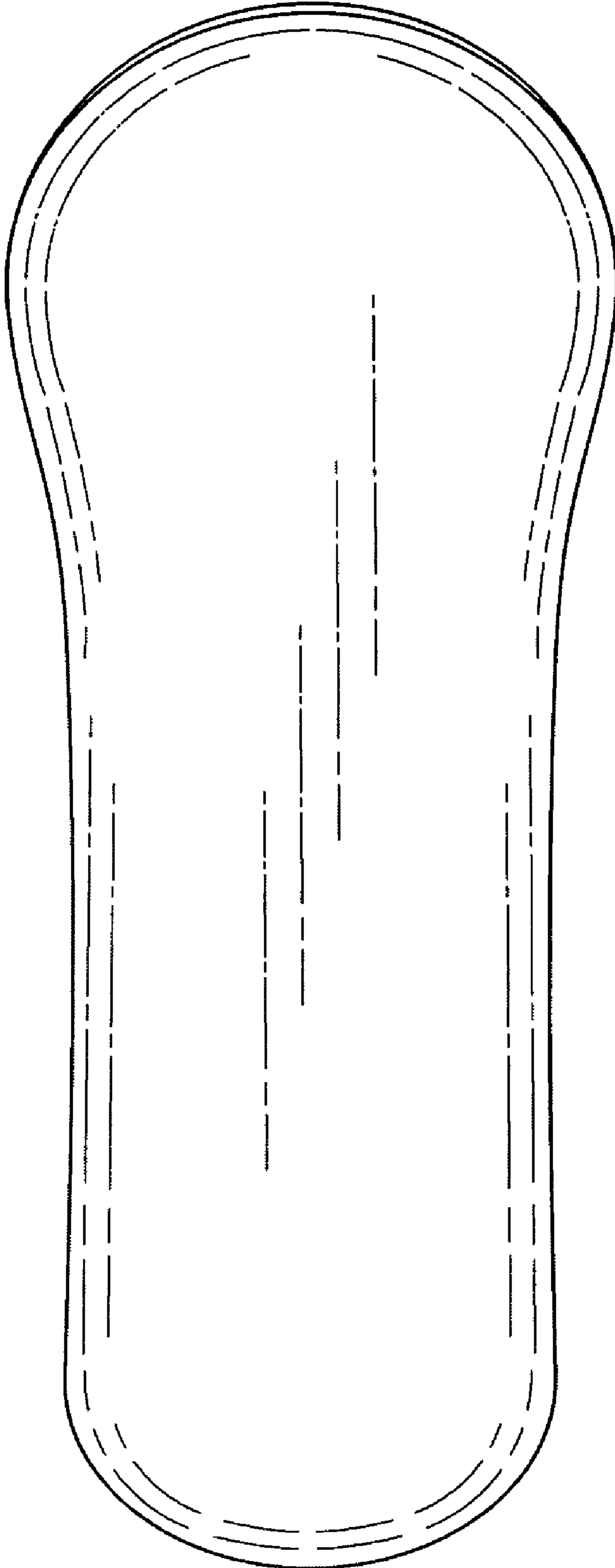


FIG. 3

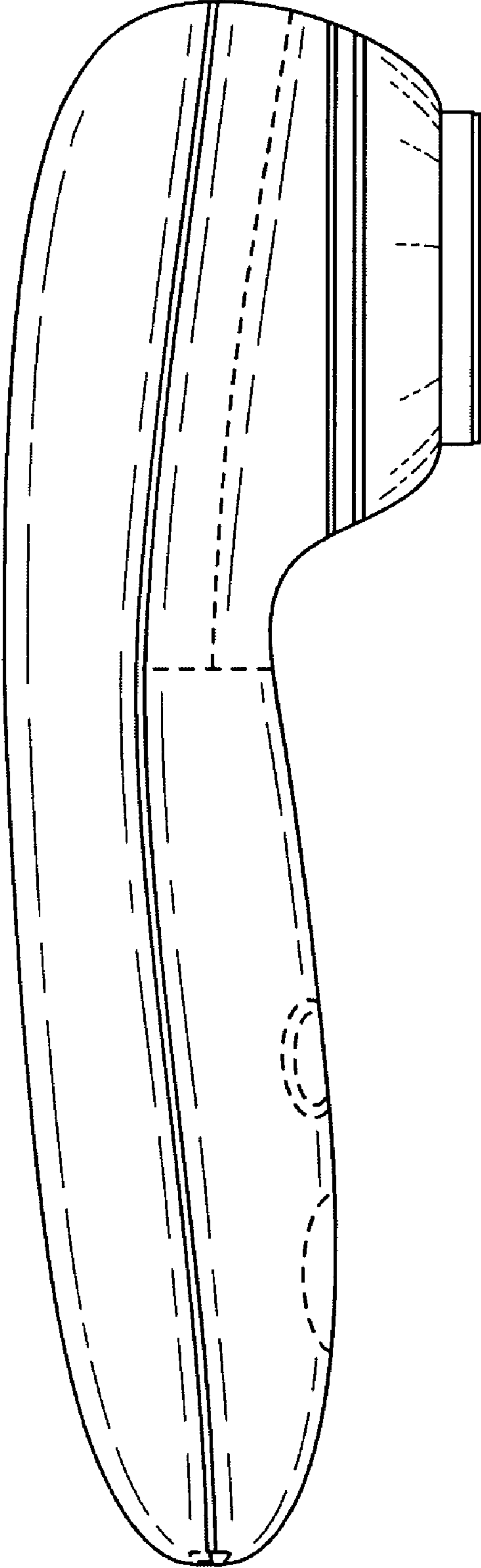


FIG. 4

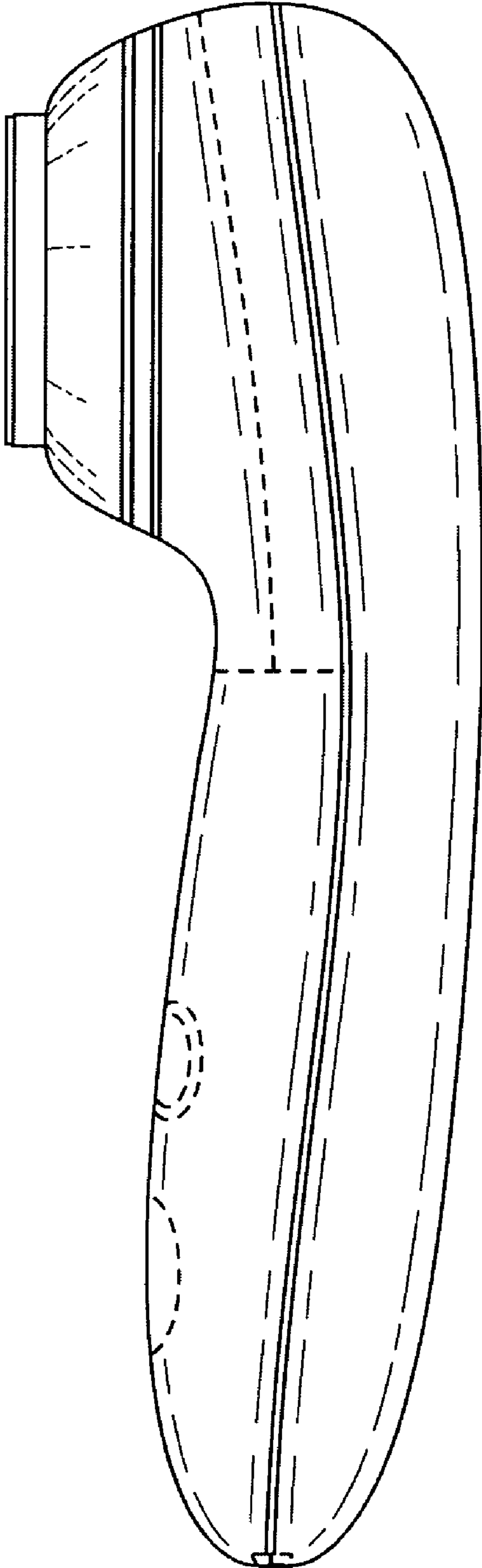


FIG. 5

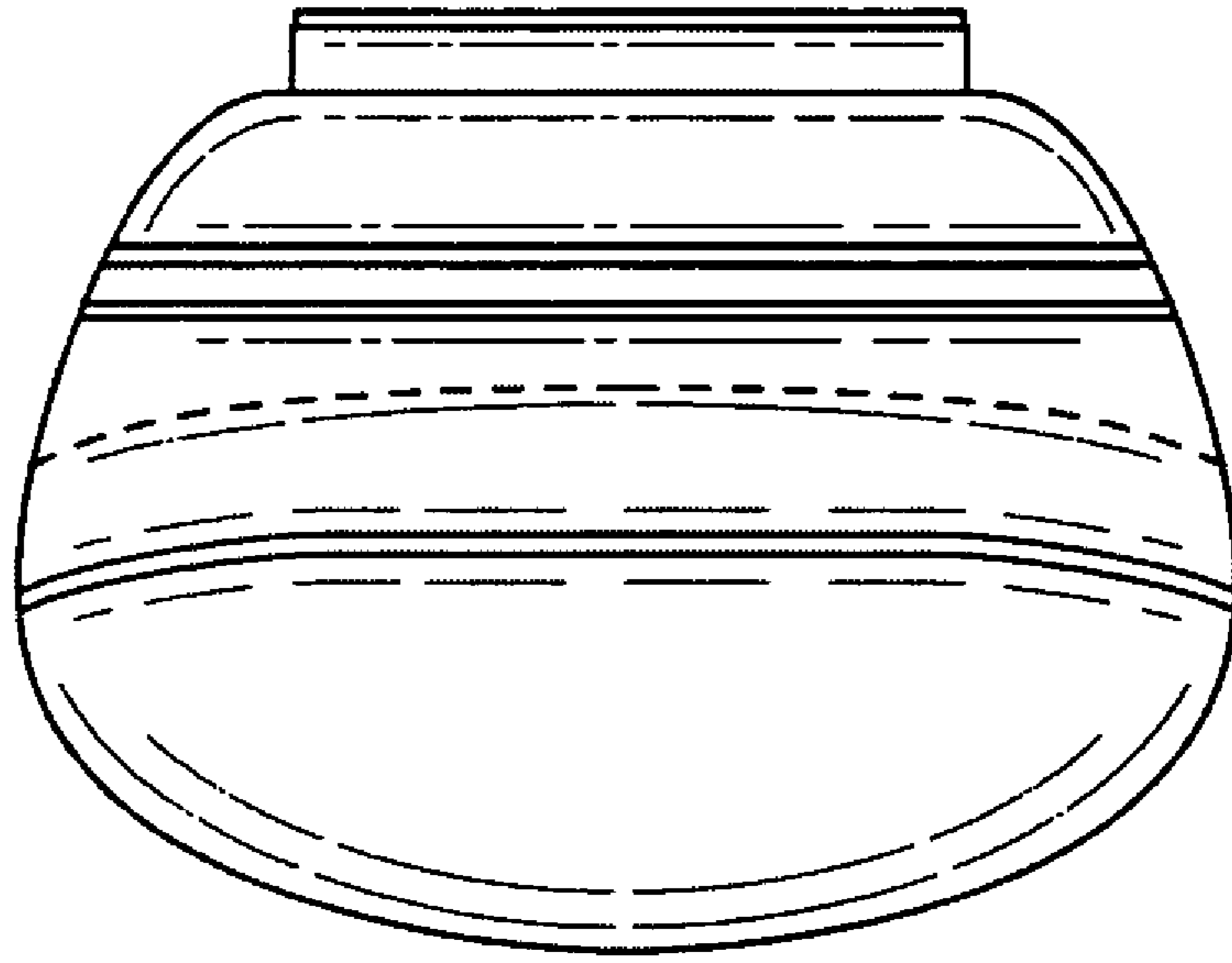


FIG. 6

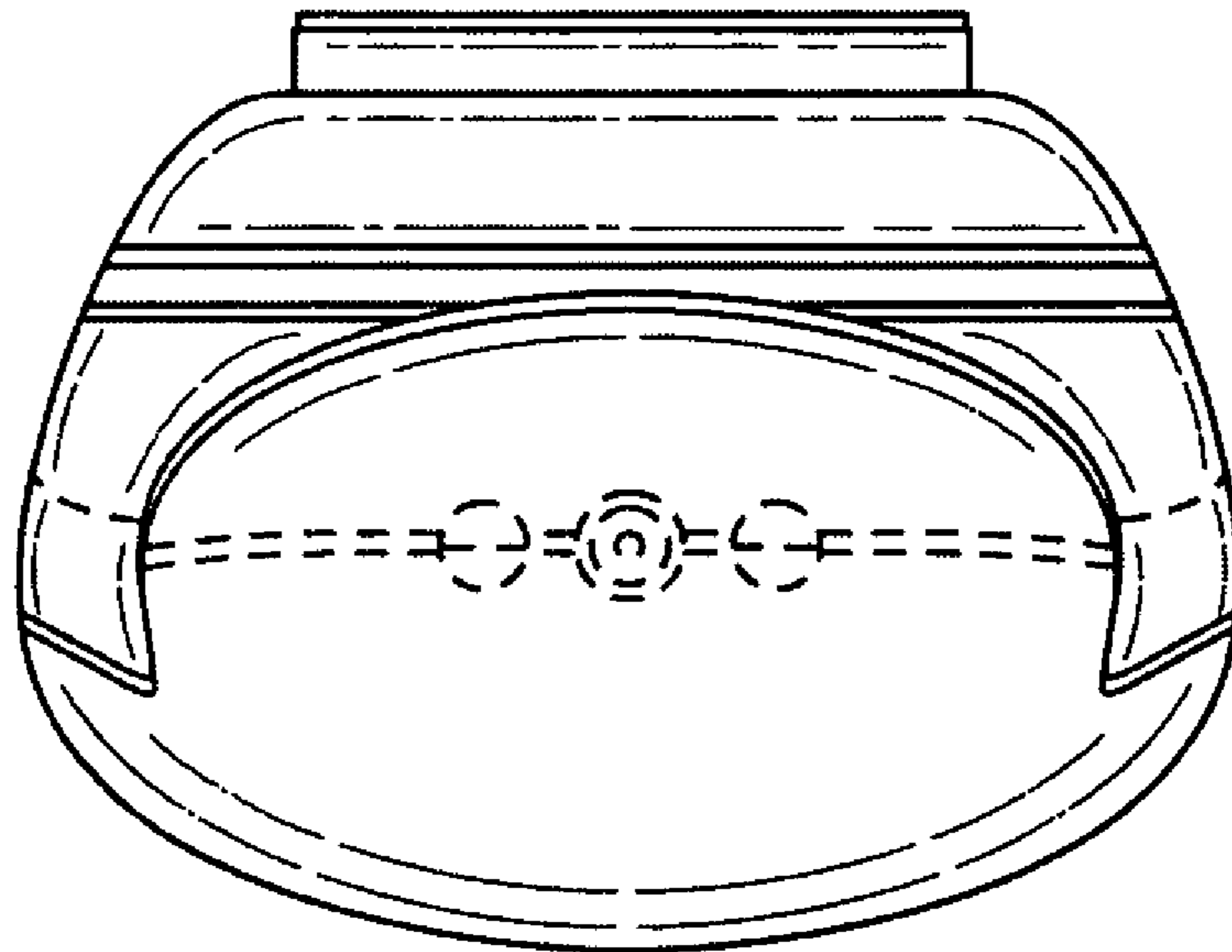


FIG. 7