



US00D652521S

(12) **United States Design Patent**
Ross et al.

(10) **Patent No.:** **US D652,521 S**
(45) **Date of Patent:** **** Jan. 17, 2012**

(54) **MEDICAL CART**

(75) Inventors: **Christopher Ross**, Del Mar, CA (US);
Richard E. Calou, San Diego, CA (US);
Colt Stander, Alvo, NE (US); **Christian**
J. Stefanovitz, West Bend, WI (US)

(73) Assignee: **Nellcor Puritan Bennett LLC**, Boulder,
CO (US)

(**) Term: **14 Years**

(21) Appl. No.: **29/382,923**

(22) Filed: **Jan. 10, 2011**

Related U.S. Application Data

(62) Division of application No. 29/329,341, filed on Dec.
12, 2008, now Pat. No. Des. 632,797.

(51) **LOC (9) Cl.** **24-01**

(52) **U.S. Cl.** **D24/185**

(58) **Field of Classification Search** D24/158-160,
D24/164, 169, 170, 177, 183-186, 231; 280/47.34,
280/47.35, 79.3, 79.11, 187.01; D6/406.1;
D13/163; D34/14, 17, 19, 21, 23; 108/50.01;
382/128

See application file for complete search history.

(56) **References Cited**

U.S. PATENT DOCUMENTS

D306,343 S *	2/1990	Ungar	D24/160
5,170,804 A	12/1992	Glassman	128/849
D347,896 S	6/1994	Dickinson et al.	D24/185
D354,353 S *	1/1995	Ishizuka et al.	D24/160
D367,534 S *	2/1996	DiPerna et al.	D24/169
D368,521 S	4/1996	Asai et al.	D24/160
5,518,310 A	5/1996	Ellman et al.	312/249.12
5,662,396 A	9/1997	Reeder et al.	312/209
D423,671 S	4/2000	Garito et al.	D24/185
D447,567 S	9/2001	Murphy et al.	D24/172
D459,477 S	6/2002	Stocks et al.	D24/164

D477,083 S	7/2003	Bromley	D24/170
6,626,445 B2	9/2003	Murphy et al.	280/47.34
6,669,639 B1	12/2003	Miller et al.	600/443
D486,915 S	2/2004	Warschewske et al.	D24/185
D492,856 S	7/2004	Rossini et al.	D6/426
D492,997 S	7/2004	DiStasio	D24/158
D493,042 S	7/2004	Rossini et al.	D6/426
D493,977 S	8/2004	Rossini et al.	D6/426
D500,575 S	1/2005	Lucas	D34/12
6,980,419 B2	12/2005	Smith et al.	361/679.41
D518,267 S	3/2006	Arceta	D34/14
D534,746 S	1/2007	Rossini et al.	D6/495
D535,509 S	1/2007	Rossini et al.	D6/511
D539,794 S	4/2007	Rossini et al.	D14/302

(Continued)

Primary Examiner — Mary Ann Calabrese

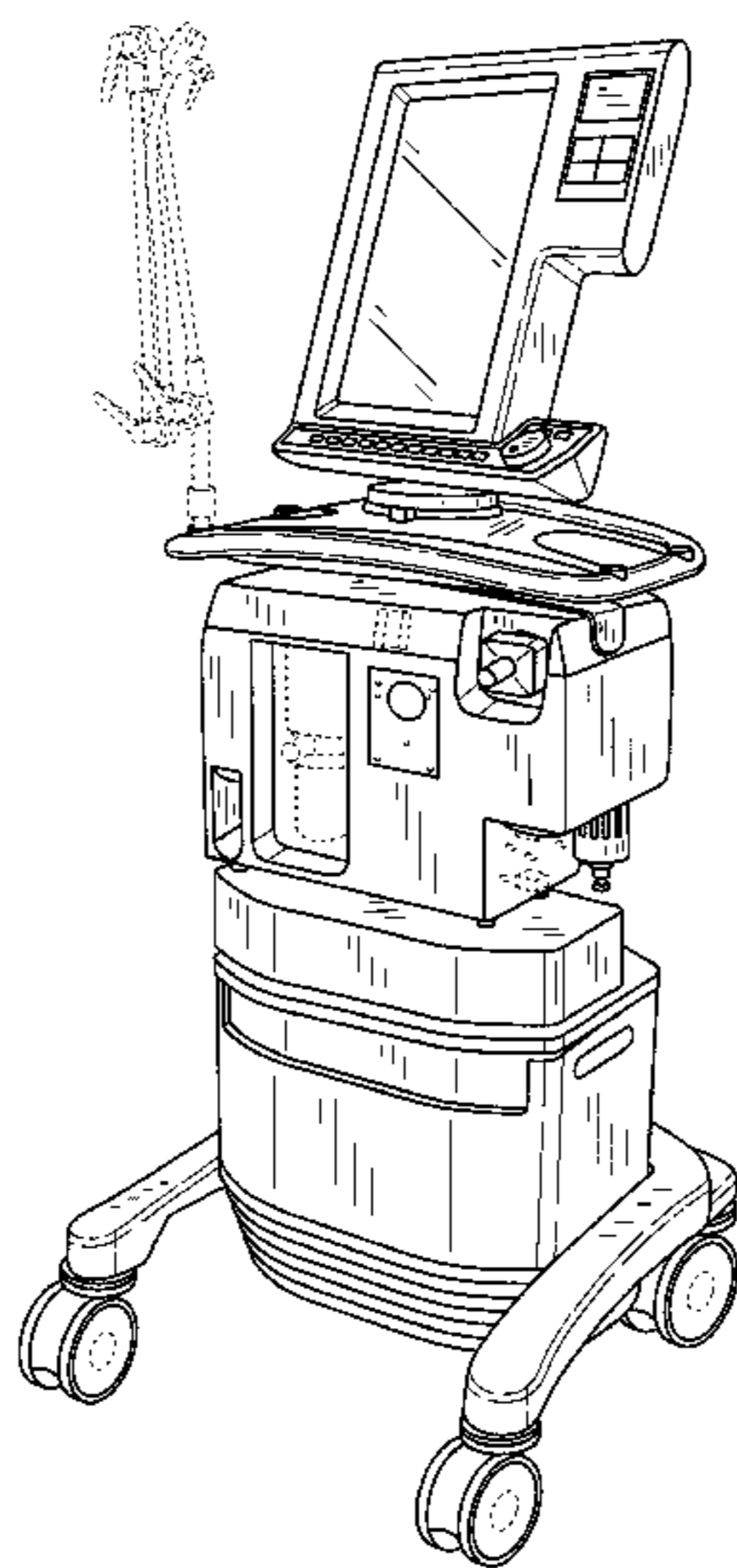
(57) **CLAIM**

The ornamental design for a medical cart, as shown and described.

DESCRIPTION

FIG. 1 is an isometric view of a medical cart according to the present invention;
 FIG. 2 is an alternate isometric view of the medical cart shown in FIG. 1;
 FIG. 3 is a front elevational view of the medical cart shown in FIG. 1;
 FIG. 4 is a rear elevational view of the medical cart shown in FIG. 1;
 FIG. 5 is an enlarged top plan view of the medical cart shown in FIG. 1;
 FIG. 6 is an enlarged bottom plan view of the medical cart shown in FIG. 1;
 FIG. 7 is a right side elevational view of the medical cart shown in FIG. 1; and,
 FIG. 8 is a left side elevational view of the medical cart shown in FIG. 1.
 The features shown in broken lines form no part of the claimed design.

1 Claim, 8 Drawing Sheets



US D652,521 S

Page 2

U.S. PATENT DOCUMENTS

D540,949 S	4/2007	Sundstrom	D24/183	D632,797 S *	2/2011	Ross et al.	D24/185
D544,962 S	6/2007	Diener et al.	D24/186	2005/0288571 A1	12/2005	Perkins et al.	600/407
D548,918 S	8/2007	Nussberger	D34/17	2007/0228680 A1	10/2007	Reppert et al.	280/47.35
7,352,570 B2	4/2008	Smith et al.	361/679.41	2008/0055826 A1	3/2008	Smith et al.	361/679.23
D588,829 S	3/2009	Rheault et al.	D6/406.1	2009/0015116 A1	1/2009	Arceta et al.	312/209
7,594,668 B2	9/2009	Arceta et al.	280/47.35	2009/0212518 A1	8/2009	Bustle et al.	280/47.35
7,864,996 B2 *	1/2011	Hemmer et al.	382/128	2009/0212670 A1	8/2009	Bustle et al.	312/209
D632,796 S *	2/2011	Ross et al.	D24/185	2010/0148458 A1 *	6/2010	Ross et al.	280/47.34

* cited by examiner

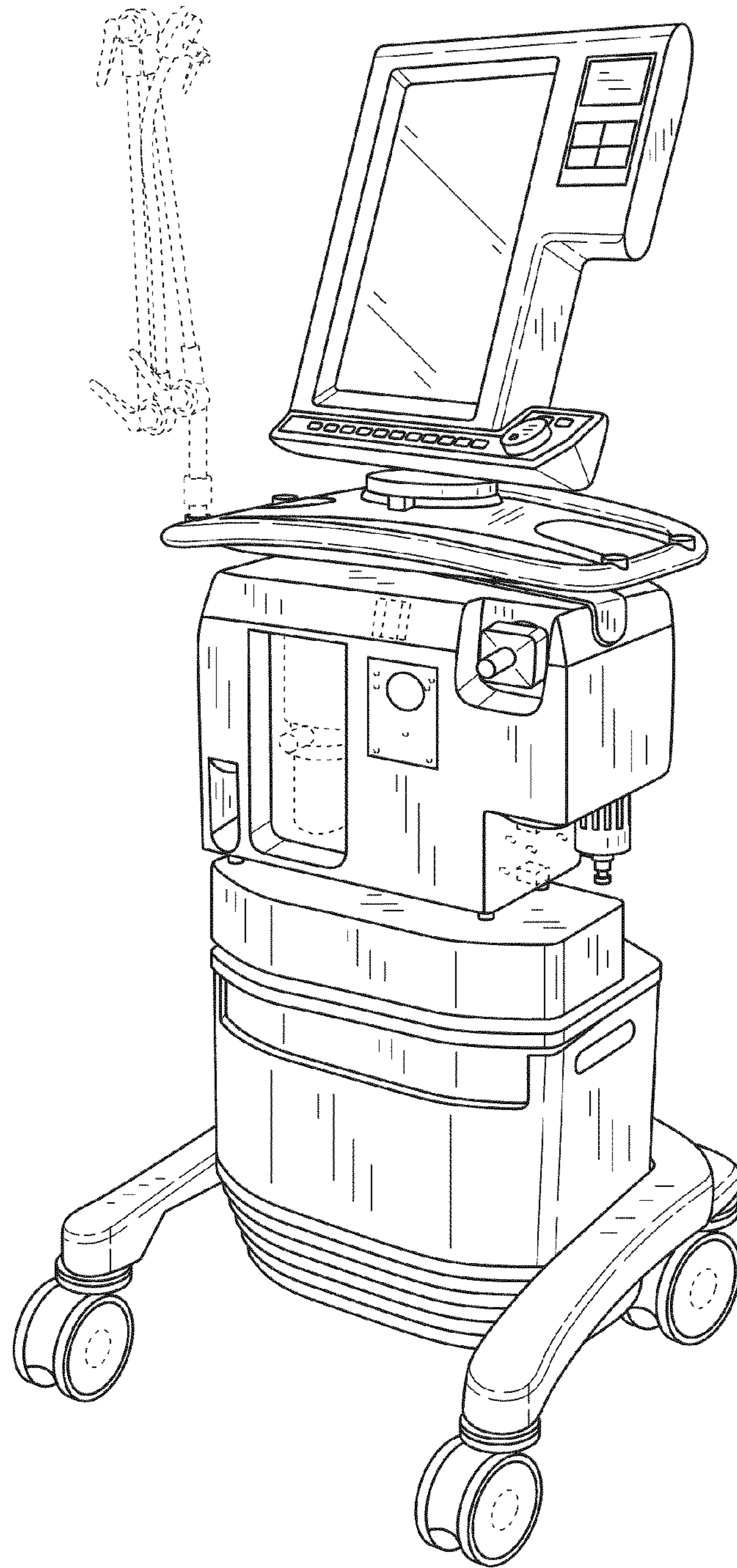


FIG.1

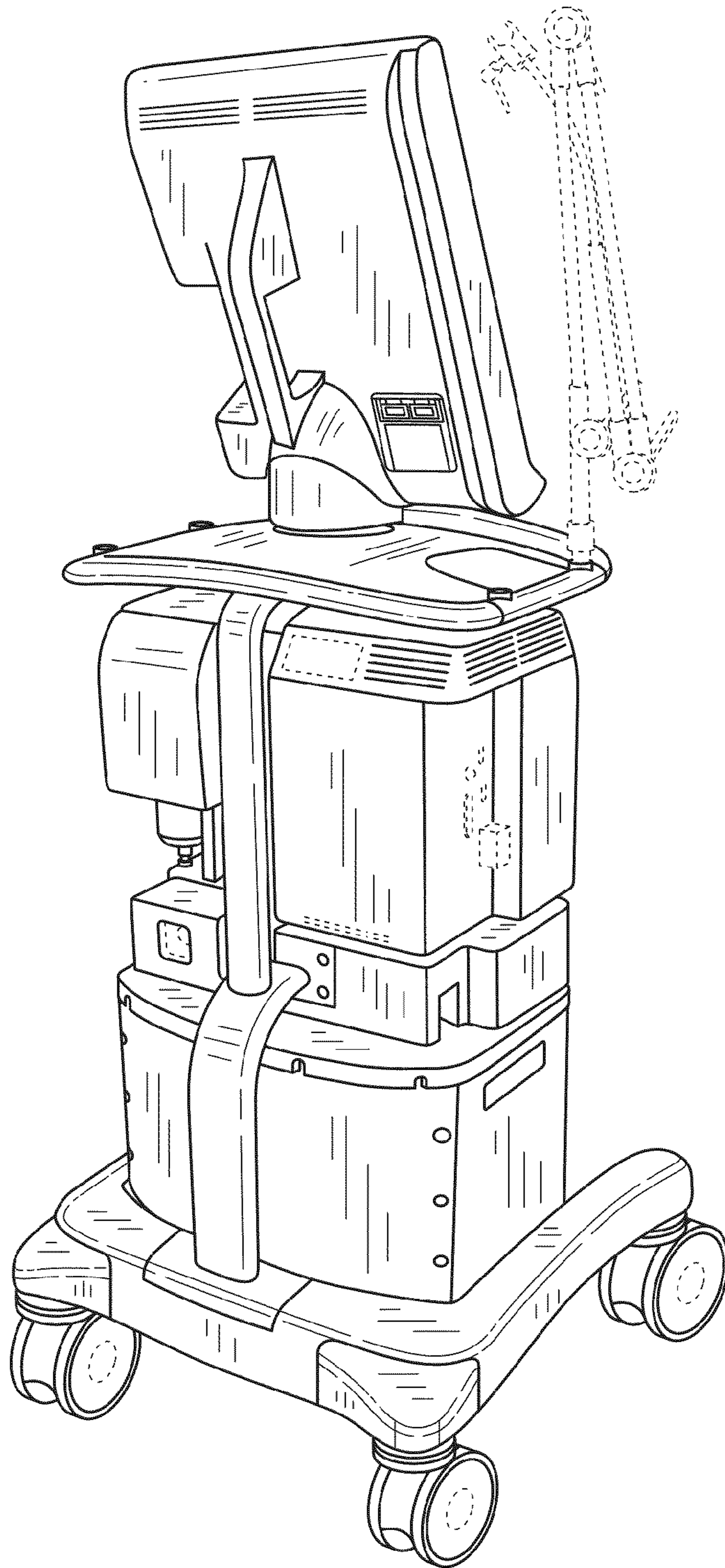


FIG.2

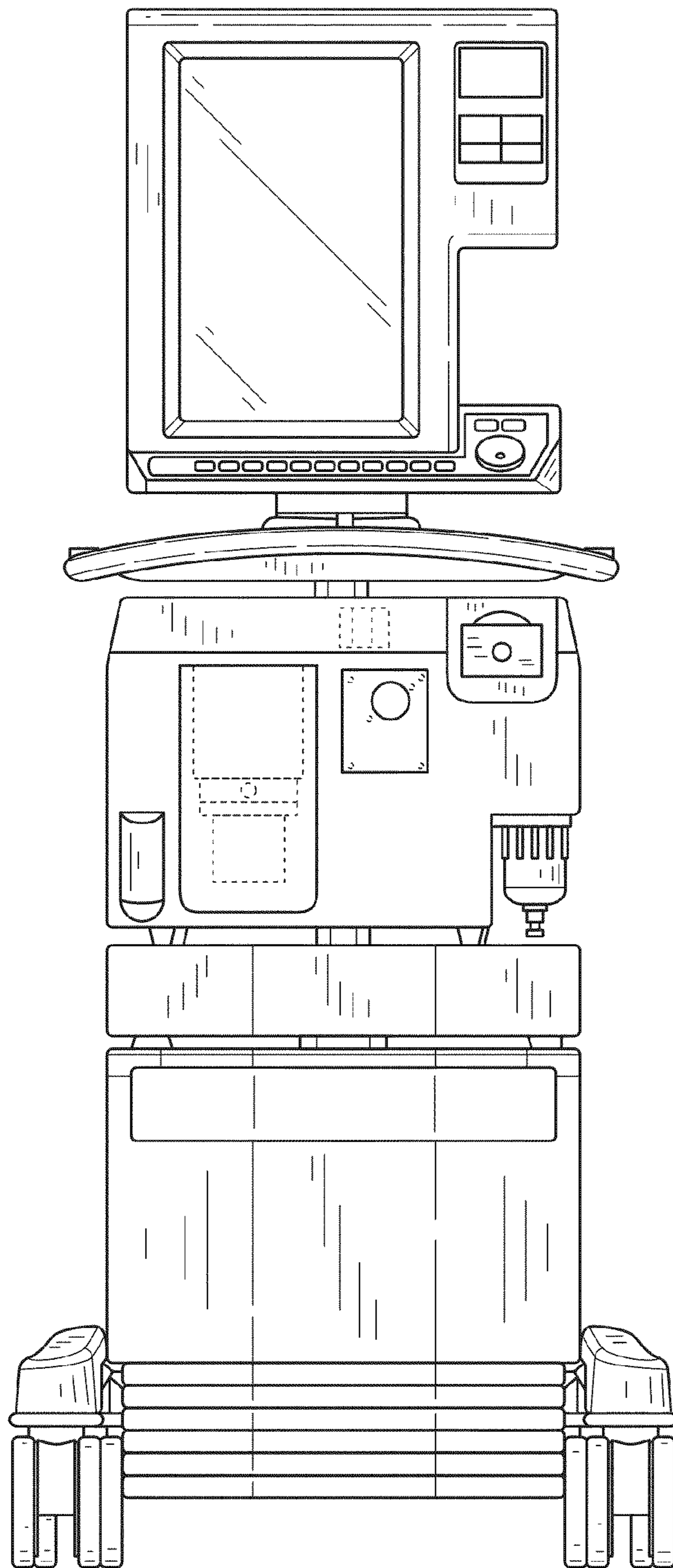


FIG.3

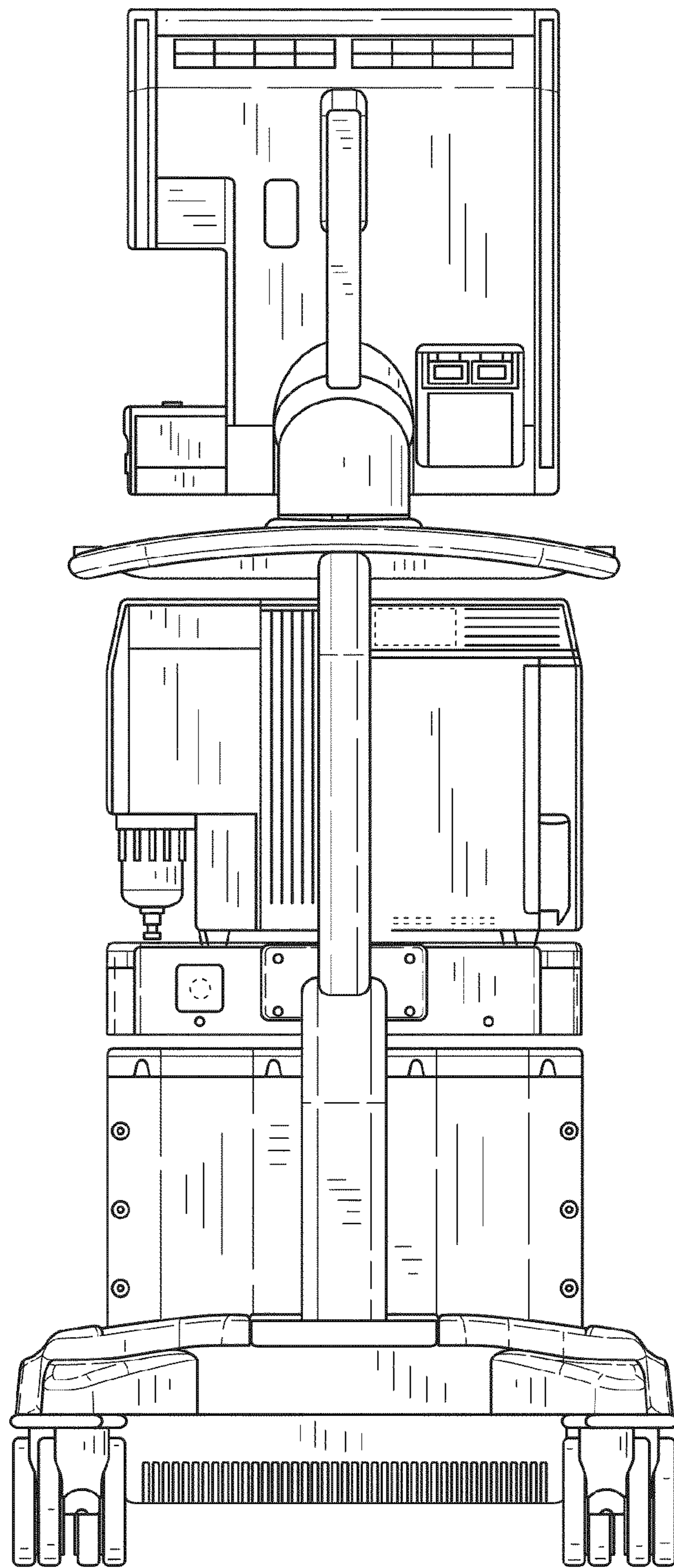


FIG.4

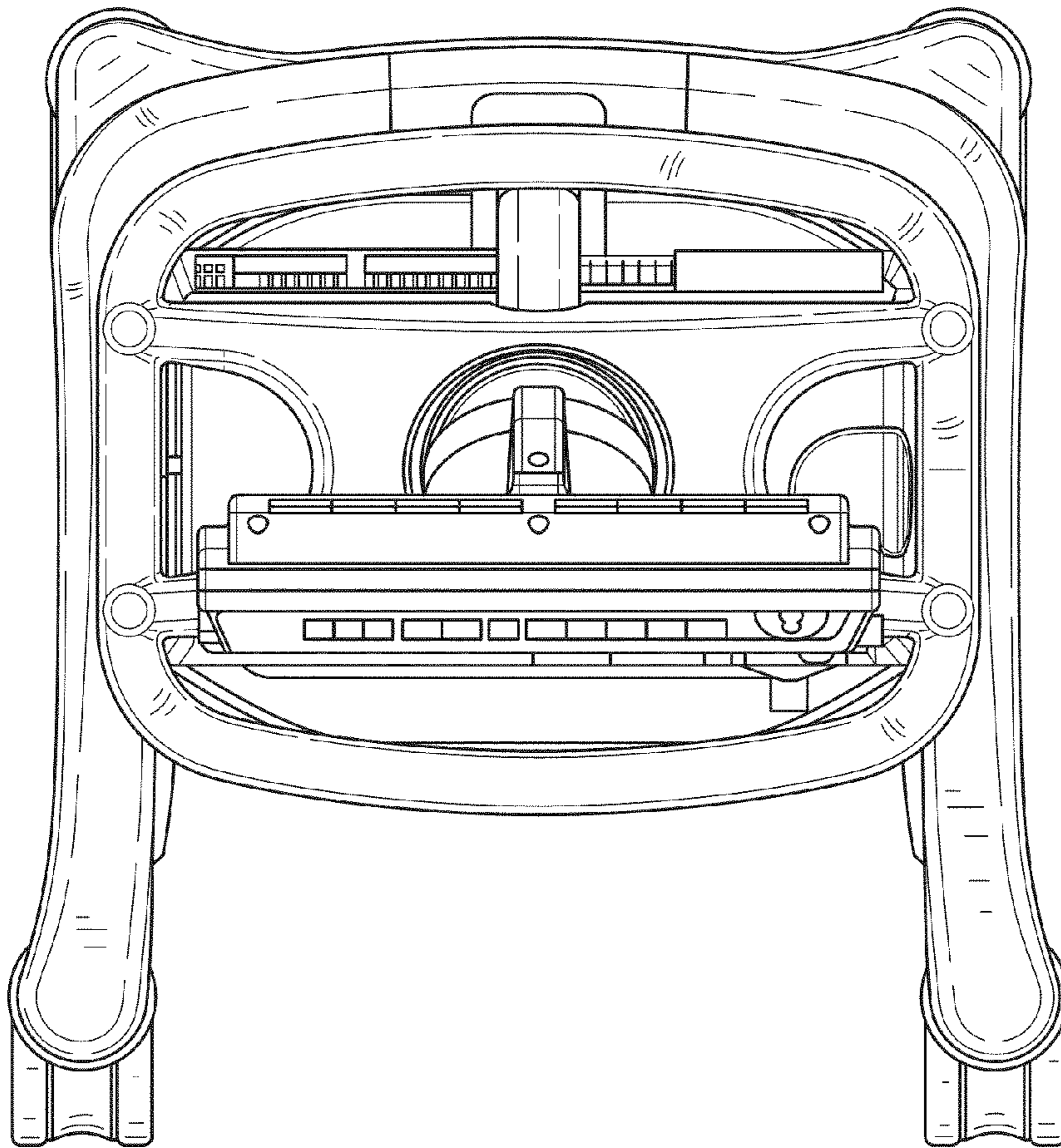


FIG.5

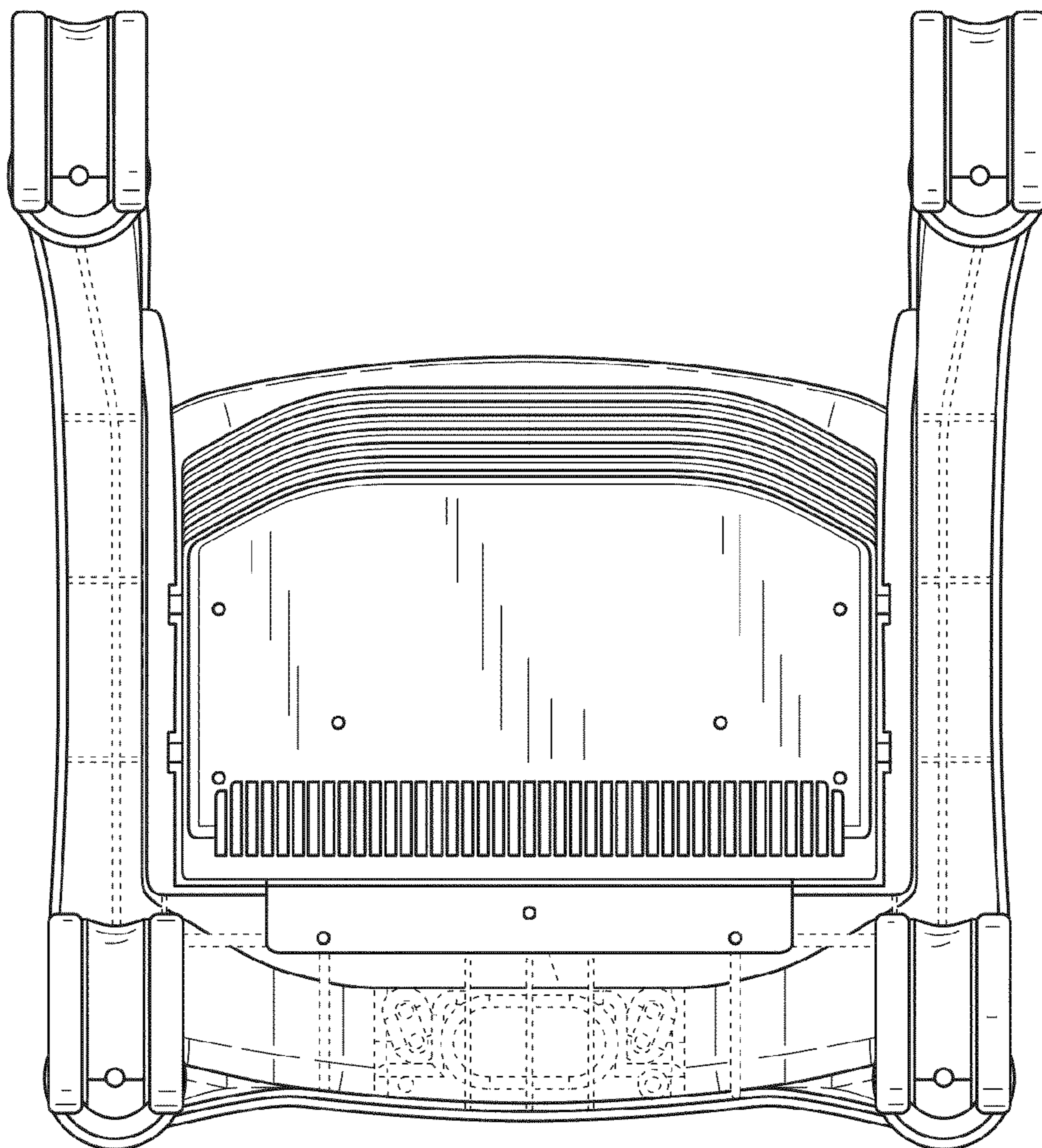


FIG.6

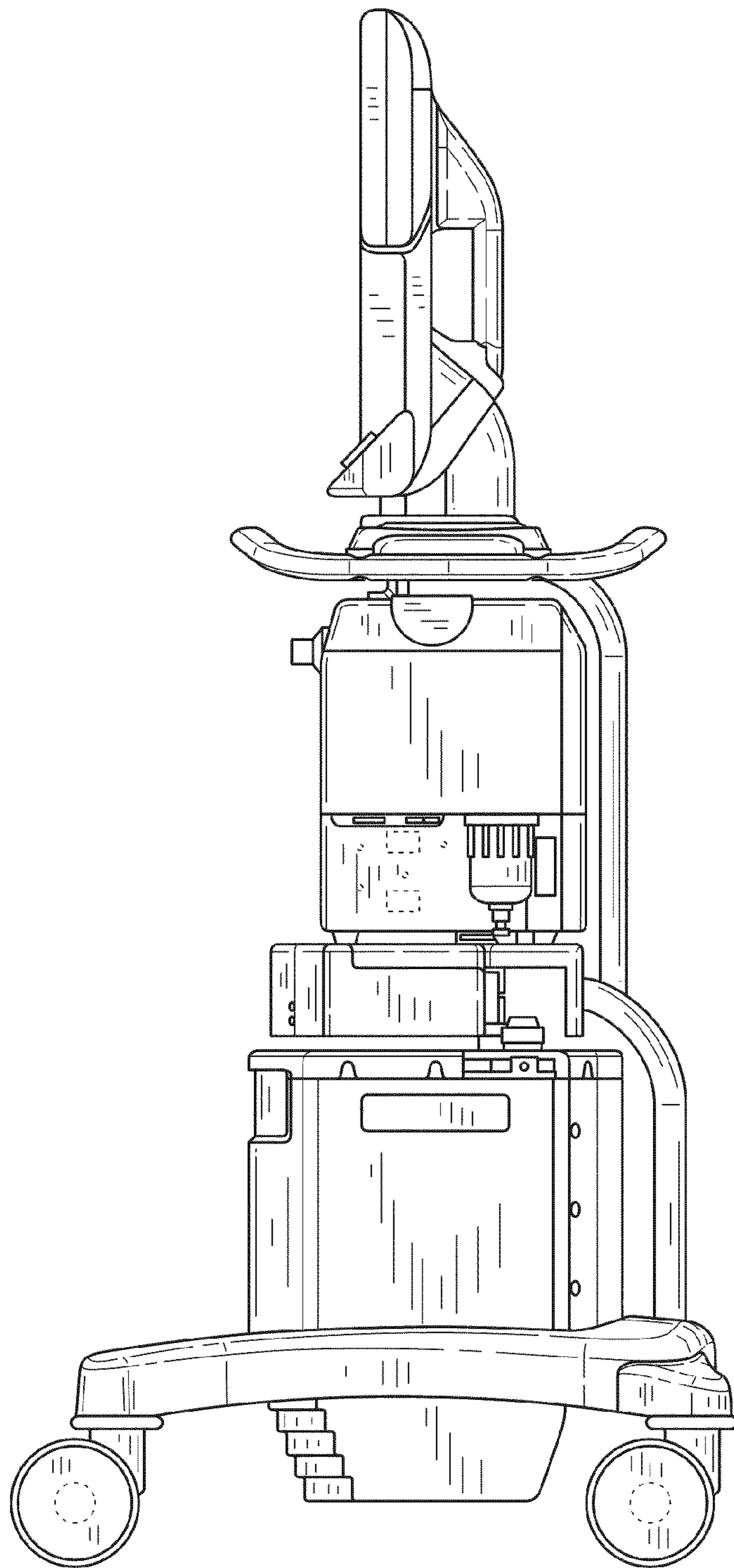


FIG. 7

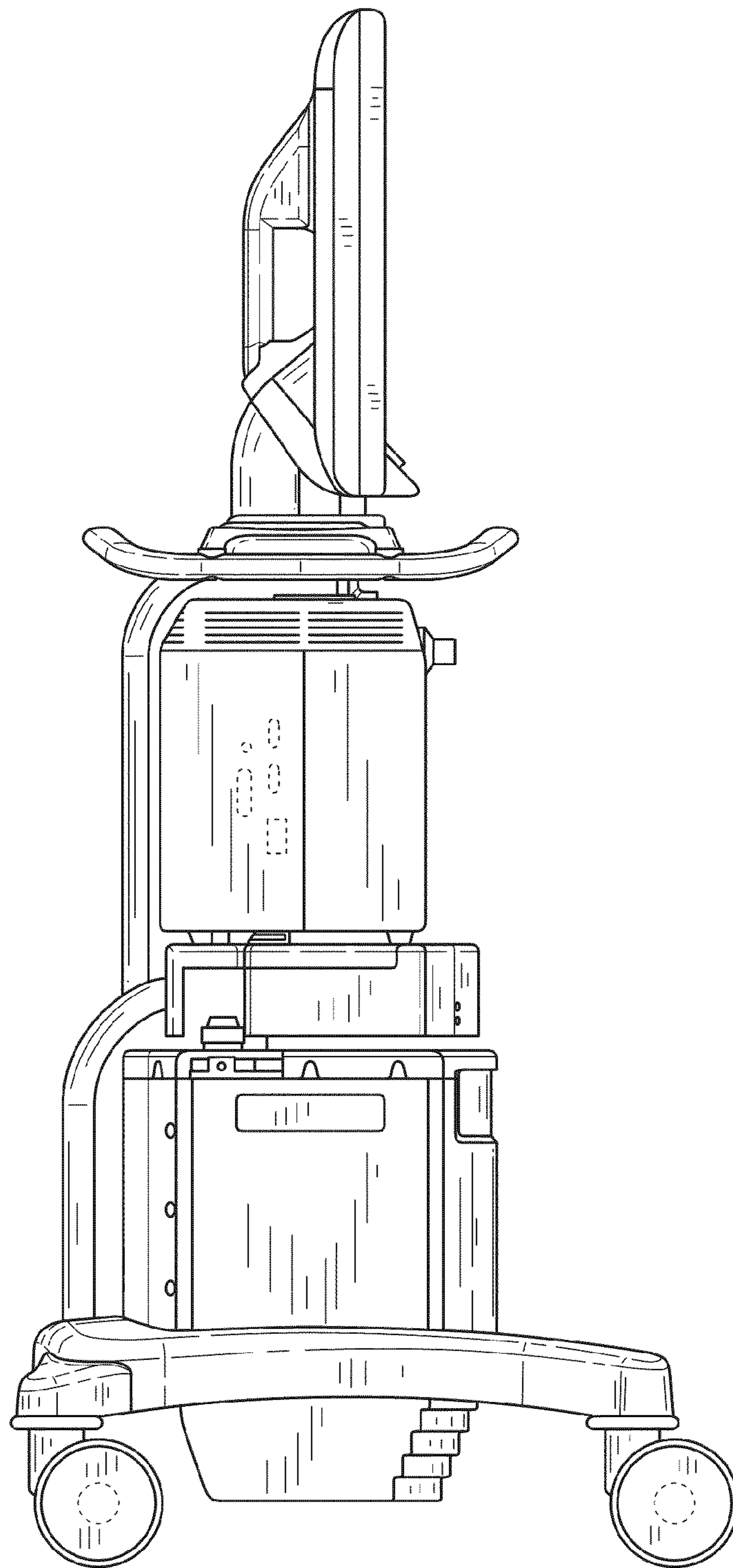


FIG.8