



US00D652520S

(12) **United States Design Patent**
Sabaris Vilas

(10) **Patent No.:** **US D652,520 S**
(45) **Date of Patent:** **** Jan. 17, 2012**

- (54) **PORTABLE MEDICAL EQUIPMENT FOR CLINICAL ANALYSIS**
- (75) Inventor: **Joaquin Sabaris Vilas**, Polinya del Valles (ES)
- (73) Assignee: **Roche Diagnostics, SL**, Sant Cugat del Valles (Barcelona) (ES)
- (**) Term: **14 Years**
- (21) Appl. No.: **29/357,912**
- (22) Filed: **Mar. 19, 2010**
- (51) **LOC (9) Cl.** **24-02**
- (52) **U.S. Cl.** **D24/185**
- (58) **Field of Classification Search** D24/107-108, D24/111, 144, 160, 167-169, 172, 185-186, D24/231, 234, 158; D34/12, 14; 248/47.34, 248/282.1; 606/32-34; 312/209, 223.1-223.2, 312/249.12; 600/1-3, 104, 437, 443
See application file for complete search history.

D480,810 S *	10/2003	Gumisawa	D24/158
6,629,927 B1 *	10/2003	Mesaros et al.	600/437
D512,508 S *	12/2005	Mesaros	D24/185
7,044,568 B2 *	5/2006	Olivera et al.	312/209
D541,942 S *	5/2007	Hirson et al.	D24/185
D560,807 S *	1/2008	Kitayama et al.	D24/158
D571,011 S *	6/2008	Otoha et al.	D24/158
7,461,825 B2 *	12/2008	Olivera et al.	248/282.1
D619,241 S *	7/2010	Olsson	D24/107
D626,236 S *	10/2010	Ninomiya et al.	D24/185
D630,752 S *	1/2011	Suzuki	D24/158

* cited by examiner

Primary Examiner — T. Chase Nelson
Assistant Examiner — Mark Cavanna
(74) *Attorney, Agent, or Firm* — Aboy & Associates, PC

(57) **CLAIM**
I claim the ornamental design for a portable medical equipment for clinical analysis, as shown and described.

DESCRIPTION

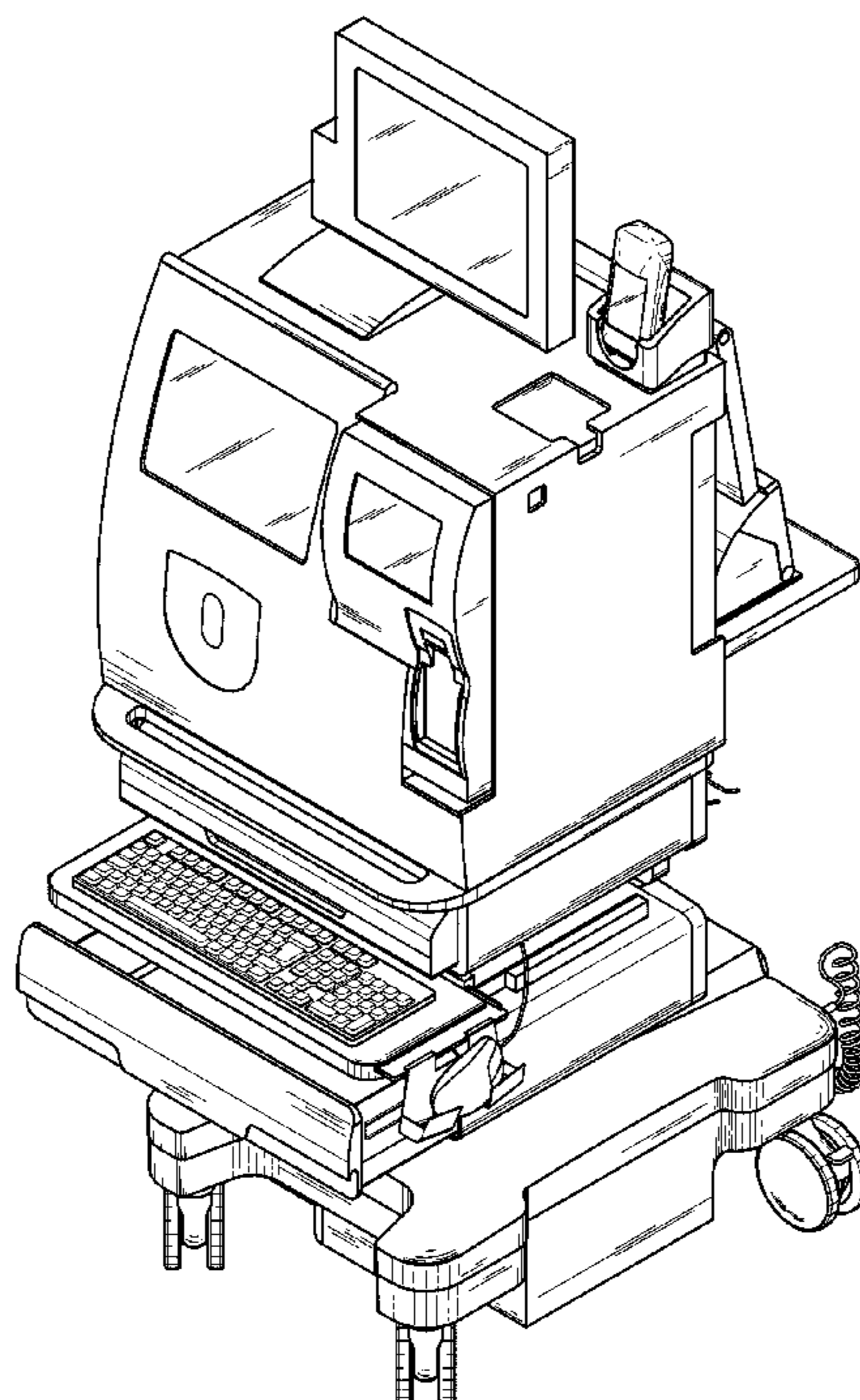
FIG. 1 is a perspective view of a portable medical equipment for clinical analysis showing the new design; FIG. 2 is a front side view thereof; FIG. 3 is a rear side view thereof; FIG. 4 is a right side view thereof; FIG. 5 is a left side view thereof; FIG. 6 is a top view thereof; and, FIG. 7 is a bottom view thereof. The broken lines are included for the purpose of illustrating portions of the portable medical equipment for clinical analysis that form no part of the claimed design.

1 Claim, 7 Drawing Sheets

(56) **References Cited**

U.S. PATENT DOCUMENTS

D328,131 S *	7/1992	Bayerlein et al.	D24/185
D360,690 S *	7/1995	Murakami	D24/186
D365,148 S *	12/1995	Murakami et al.	D24/160
D379,231 S *	5/1997	Ungari	D24/160
D389,916 S *	1/1998	DiPerna et al.	D24/169
D398,059 S *	9/1998	Kwak	D24/160
D406,894 S *	3/1999	Menhennett et al.	D24/169
D410,544 S *	6/1999	Metzler et al.	D24/172
D438,952 S *	3/2001	Cimino et al.	D24/185
D467,001 S *	12/2002	Buczek et al.	D24/172



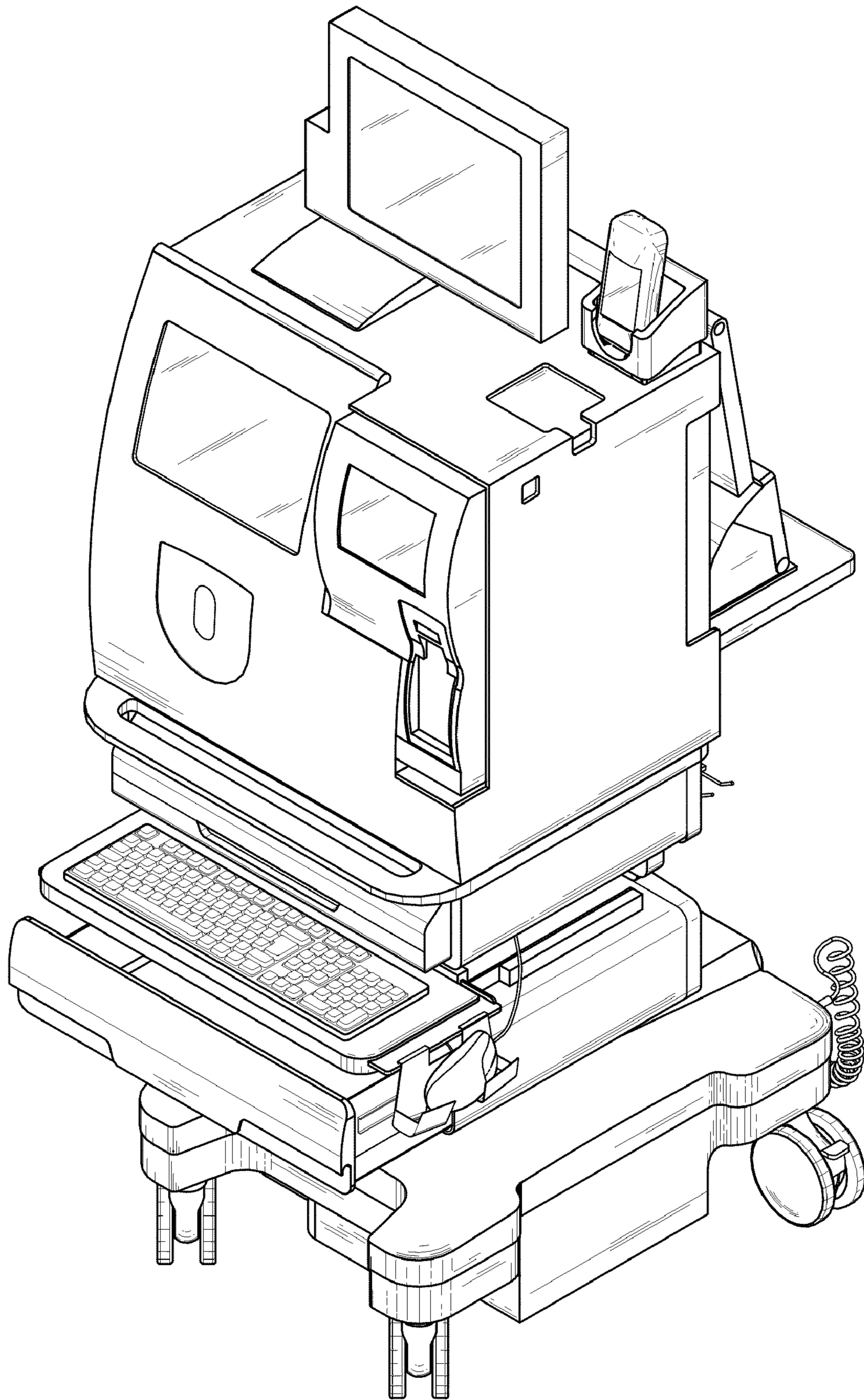


FIG. 1

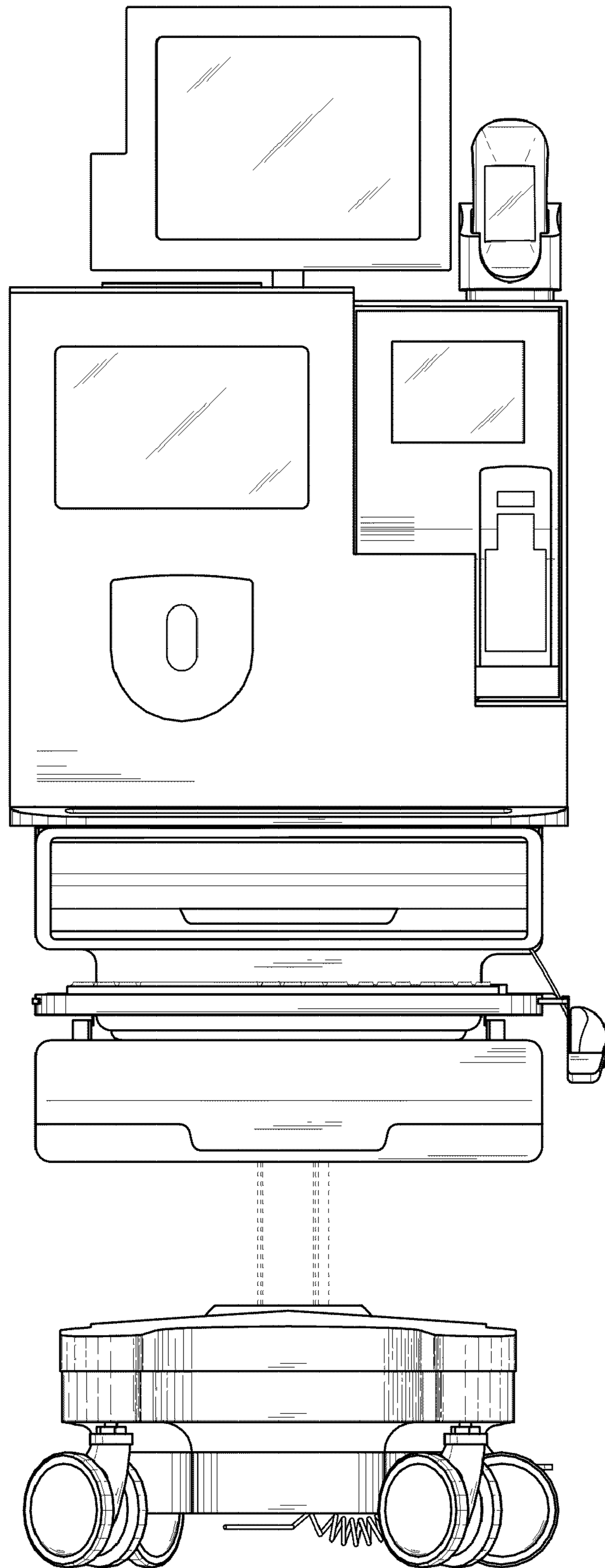


FIG.2

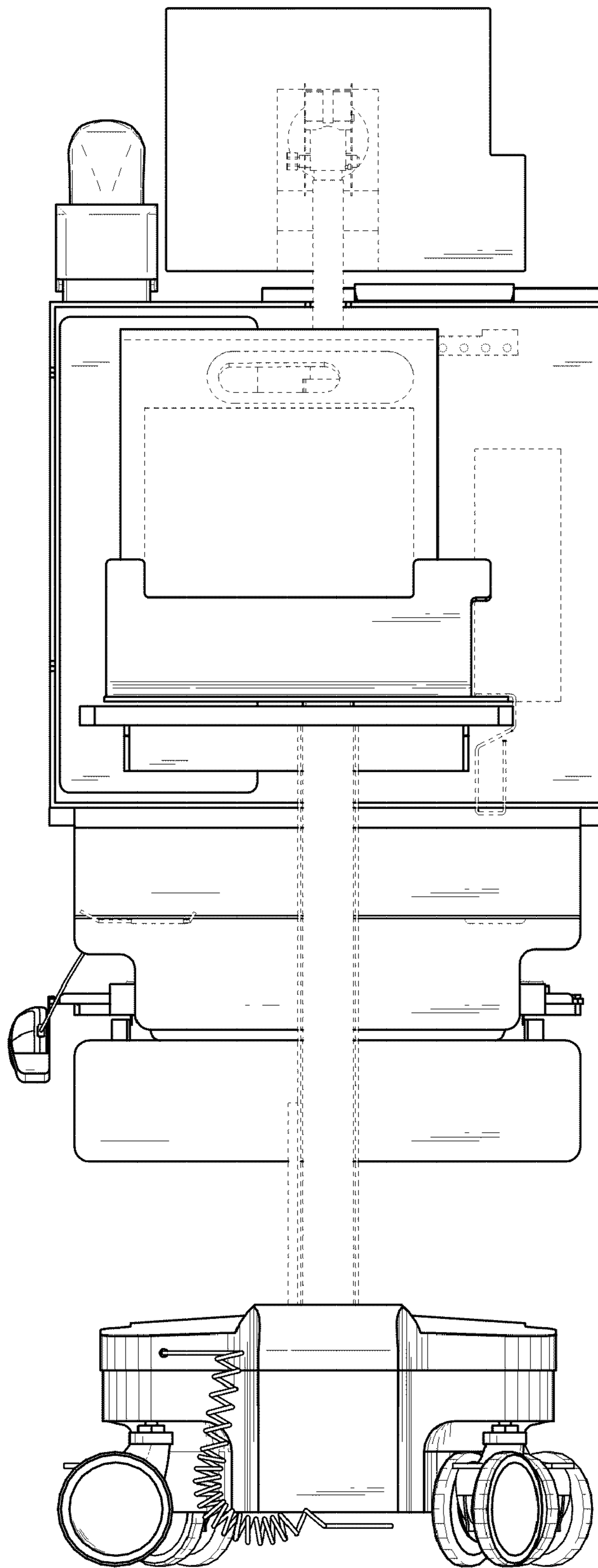


FIG.3

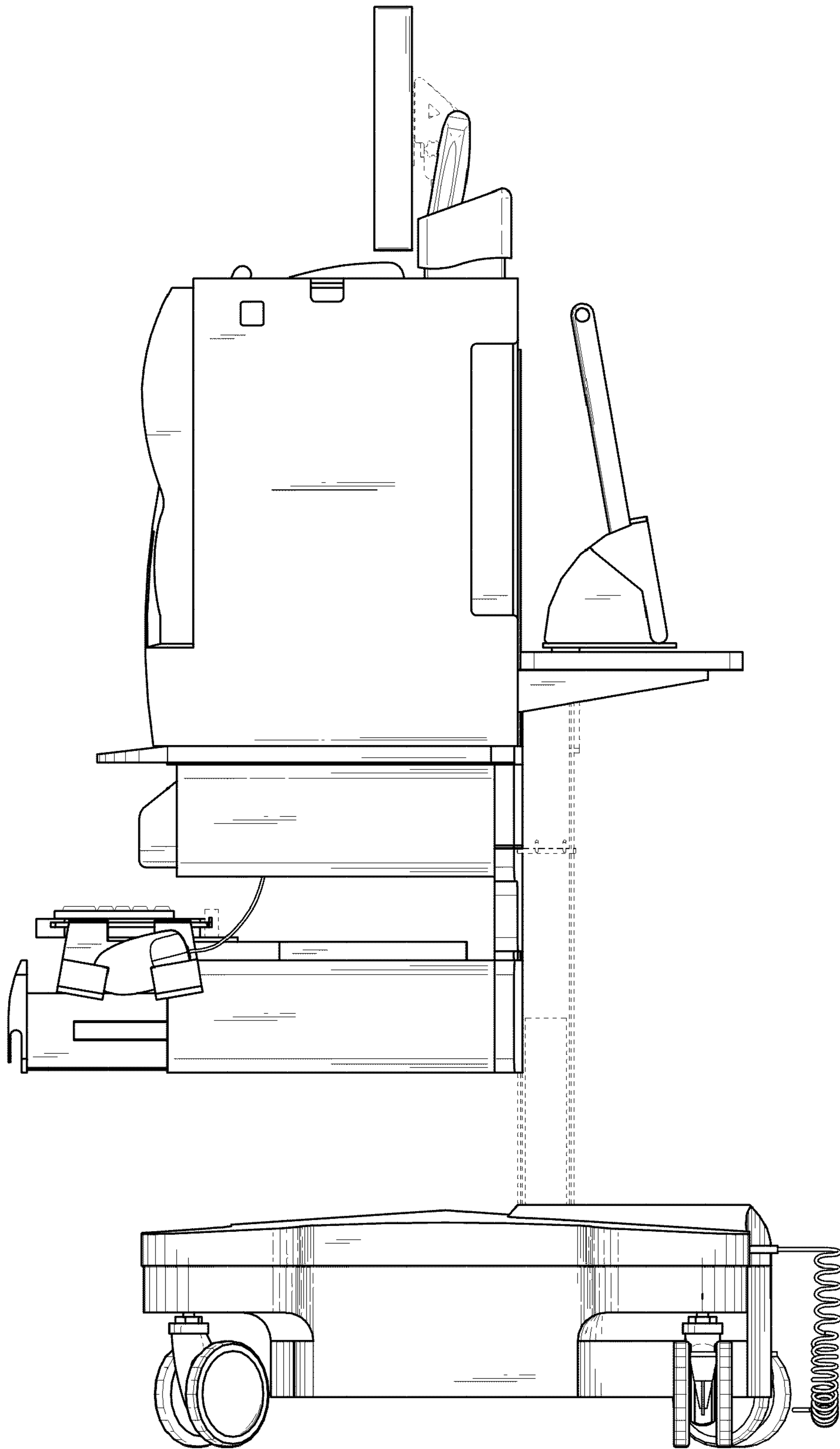


FIG. 4

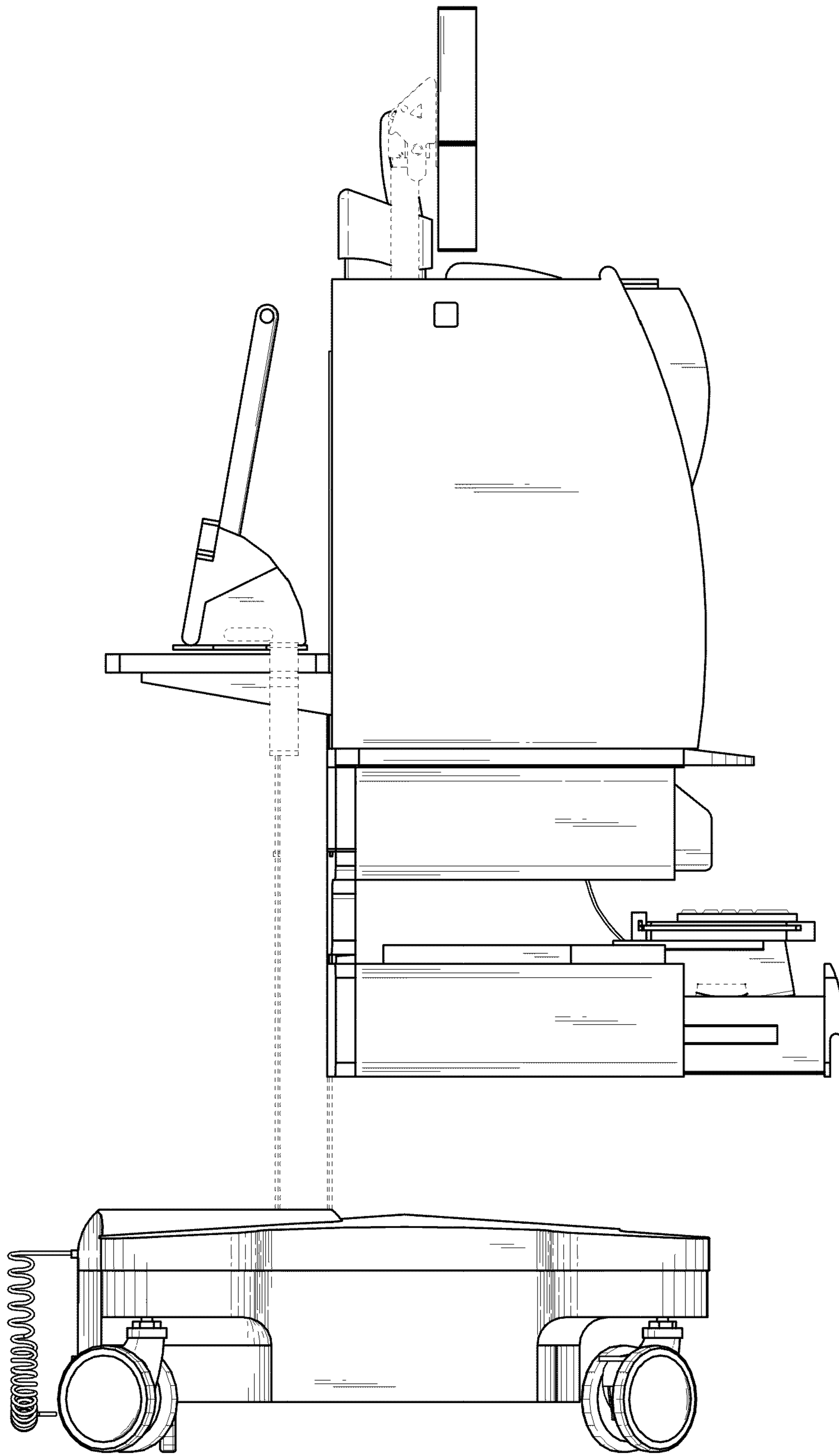


FIG.5

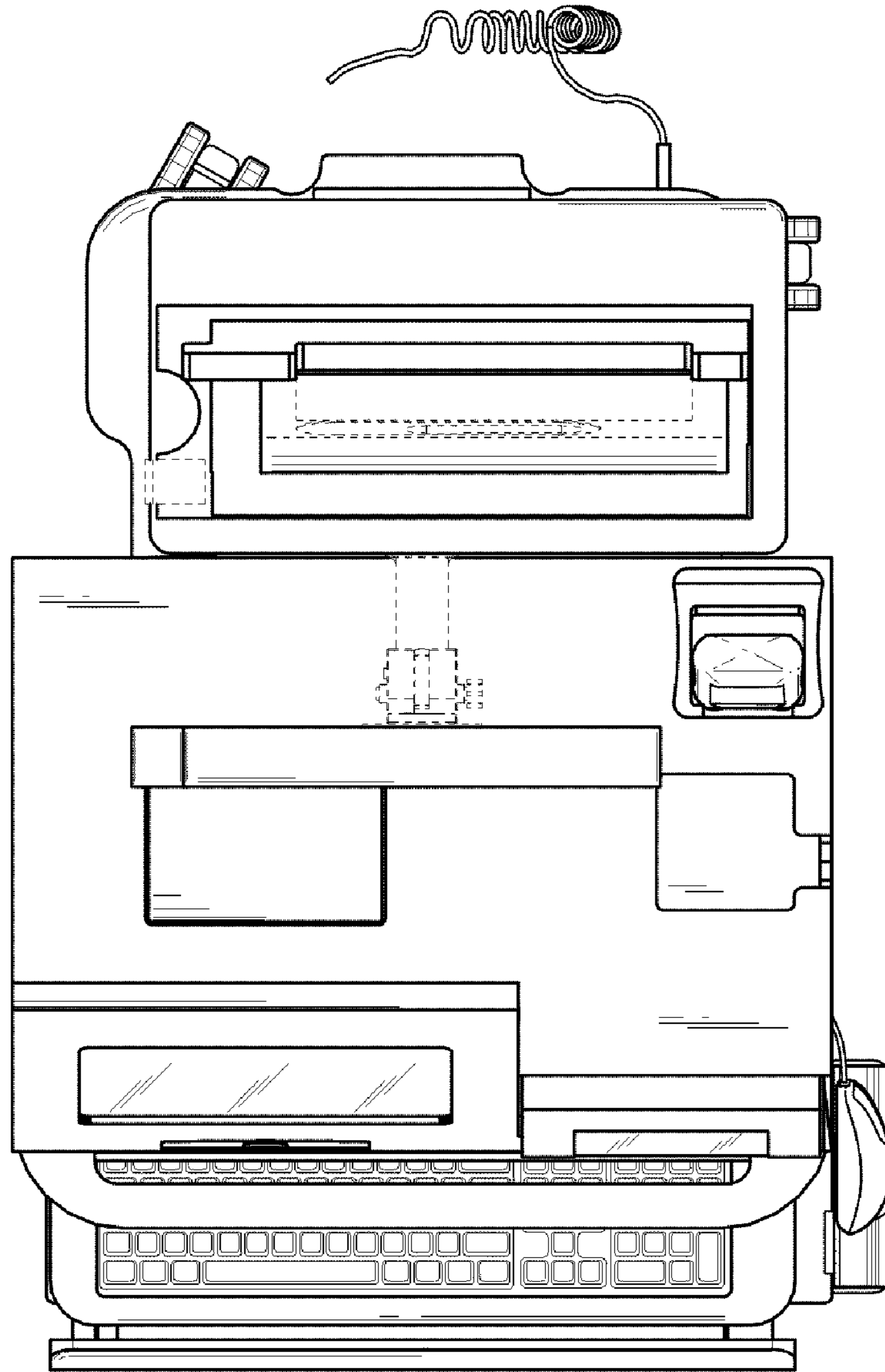


FIG.6

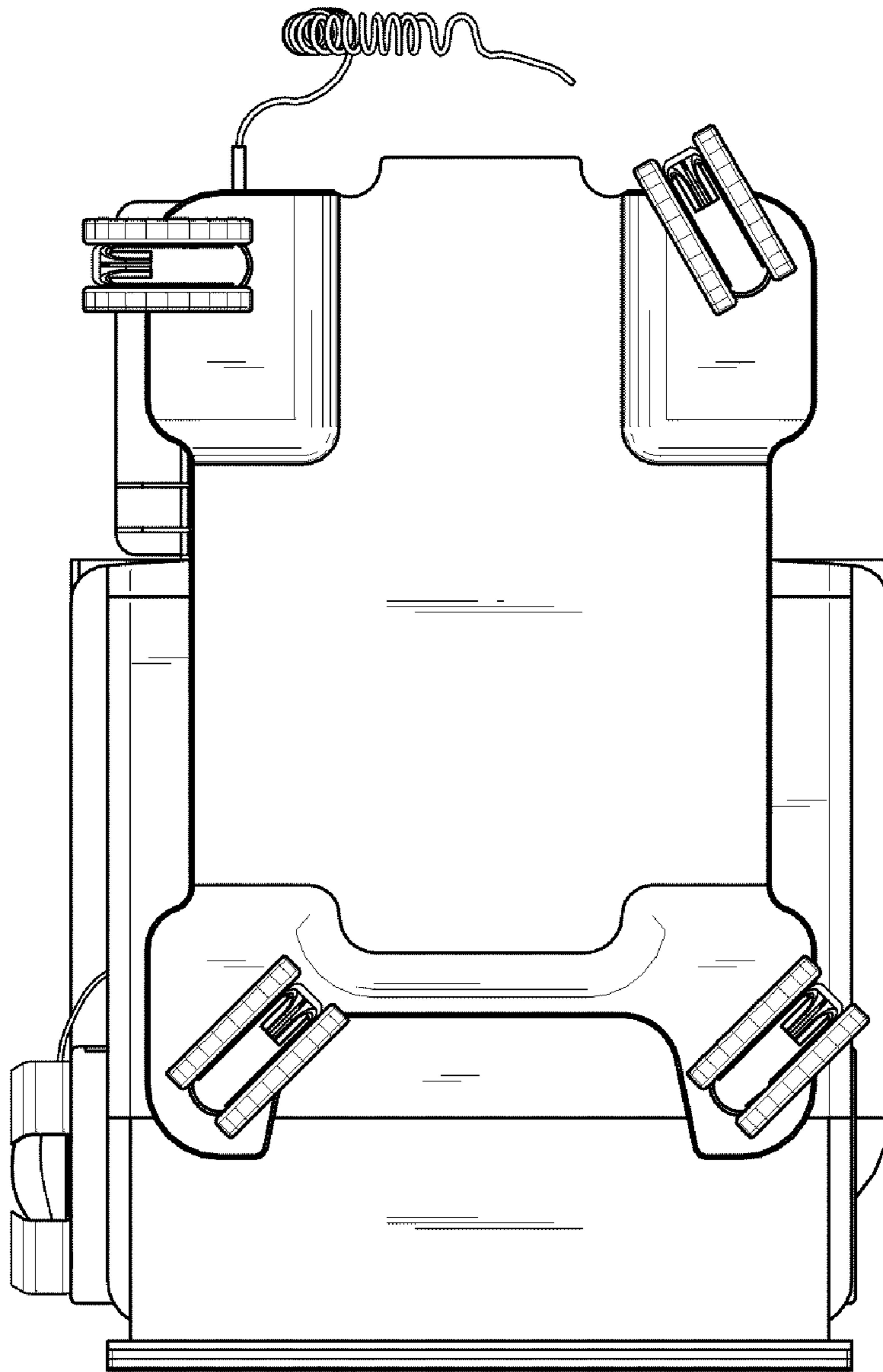


FIG.7