



US00D652517S

(12) **United States Design Patent**  
**Weaver**

(10) **Patent No.:** **US D652,517 S**

(45) **Date of Patent:** **\*\* Jan. 17, 2012**

(54) **STETHOSCOPE RESTRAINT**

(76) Inventor: **Brett Weaver**, Gig Harbor, WA (US)

(\*\*) Term: **14 Years**

(21) Appl. No.: **29/390,130**

(22) Filed: **Apr. 20, 2011**

**Related U.S. Application Data**

(63) Continuation-in-part of application No. 11/781,314, filed on Jul. 23, 2007, now abandoned.

(51) **LOC (9) Cl.** ..... **24-02**

(52) **U.S. Cl.** ..... **D24/134; D6/567; D8/367**

(58) **Field of Classification Search** ..... 6/133, 134;  
D3/203.1, 203.7; D6/567; D8/367; 181/131;  
24/3.12, 306; 224/269, 230

See application file for complete search history.

(56) **References Cited**

**U.S. PATENT DOCUMENTS**

D229,514 S *	12/1973	Einhorn	.....	D24/134
5,171,087 A *	12/1992	Green	.....	362/641
D375,161 S *	10/1996	Hart	.....	D24/134
D425,353 S *	5/2000	Foy	.....	D6/567
D445,185 S *	7/2001	Najmi	.....	D24/134
D463,550 S *	9/2002	Sherman	.....	D24/127
6,484,918 B1 *	11/2002	Lefebvre	.....	224/670
D470,937 S *	2/2003	Gary et al.	.....	D24/138

D614,300 S *	4/2010	Baker et al.	.....	D24/134
D618,345 S *	6/2010	Baker et al.	.....	D24/134
D625,996 S *	10/2010	Witty	.....	D9/434
2005/0205347 A1 *	9/2005	Costa et al.	.....	181/131
2009/0026237 A1 *	1/2009	Weaver	.....	224/269

\* cited by examiner

*Primary Examiner* — Bridget L Eland

(74) *Attorney, Agent, or Firm* — Dale J. Ream

(57) **CLAIM**

The ornamental design for a stethoscope restraint, as shown and described.

**DESCRIPTION**

FIG. 1 is a perspective view of a stethoscope restraint showing my new design;

FIG. 2 is a front view thereof;

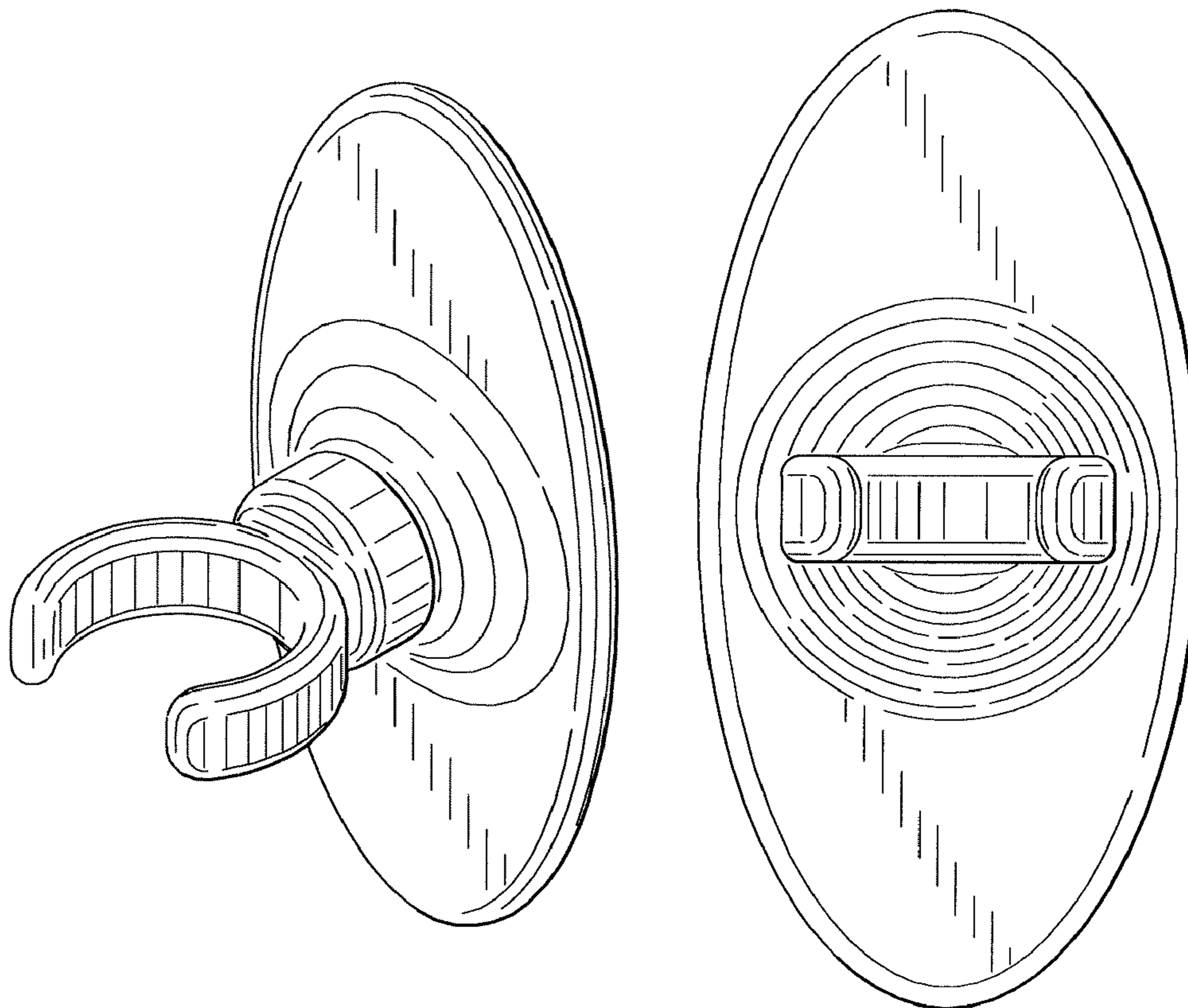
FIG. 3 is a back view thereof;

FIG. 4 is a top view, the bottom view being a mirror image thereof; and,

FIG. 5 is a right side view, the left side view being a mirror image thereof.

The broken lines immediately adjacent the shaded areas represent the bounds of the claimed design while all other broken lines are directed to environment and are for illustrative purposes only; the broken lines form no part of the claimed design.

**1 Claim, 3 Drawing Sheets**



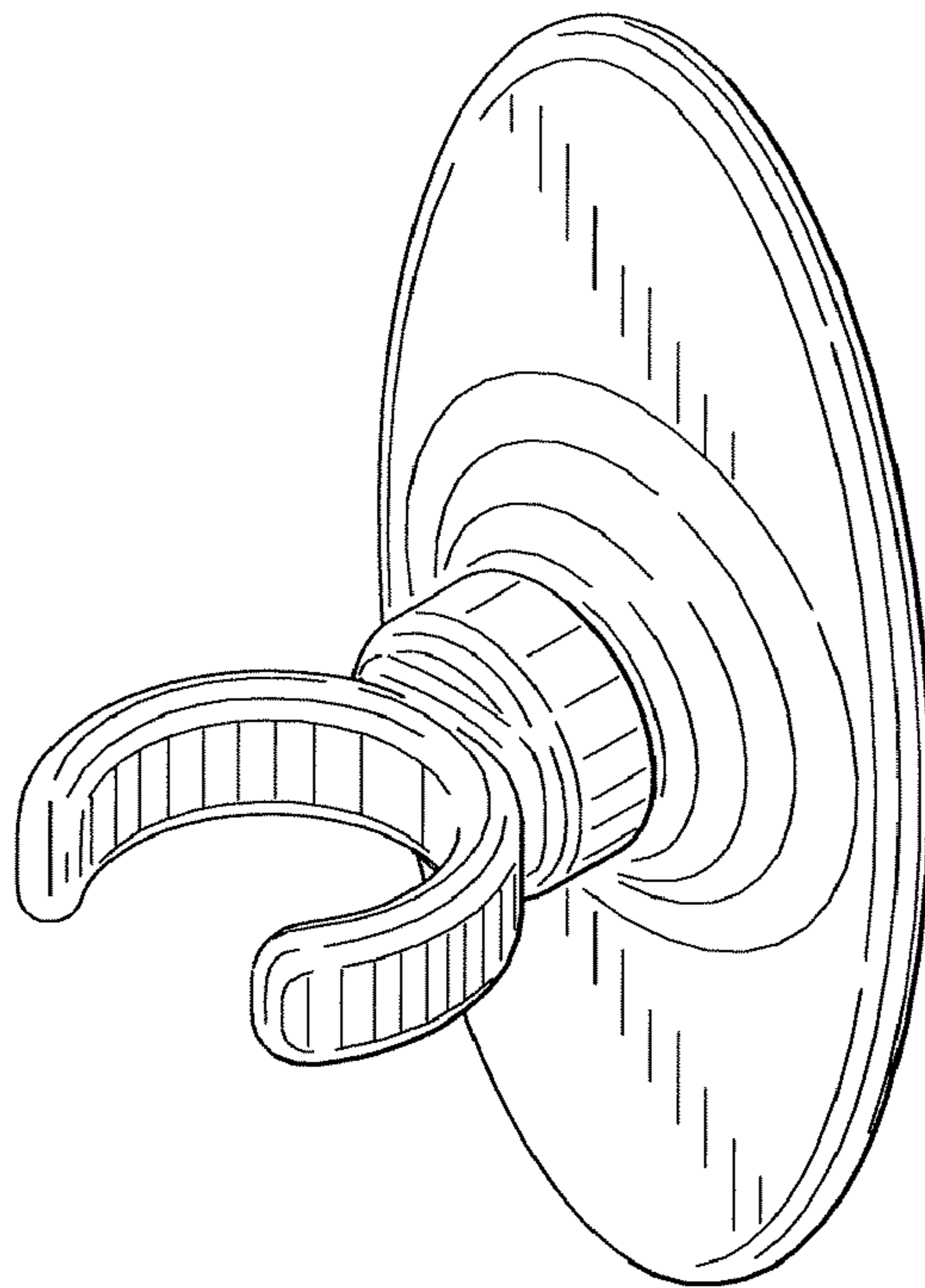


Fig. 1

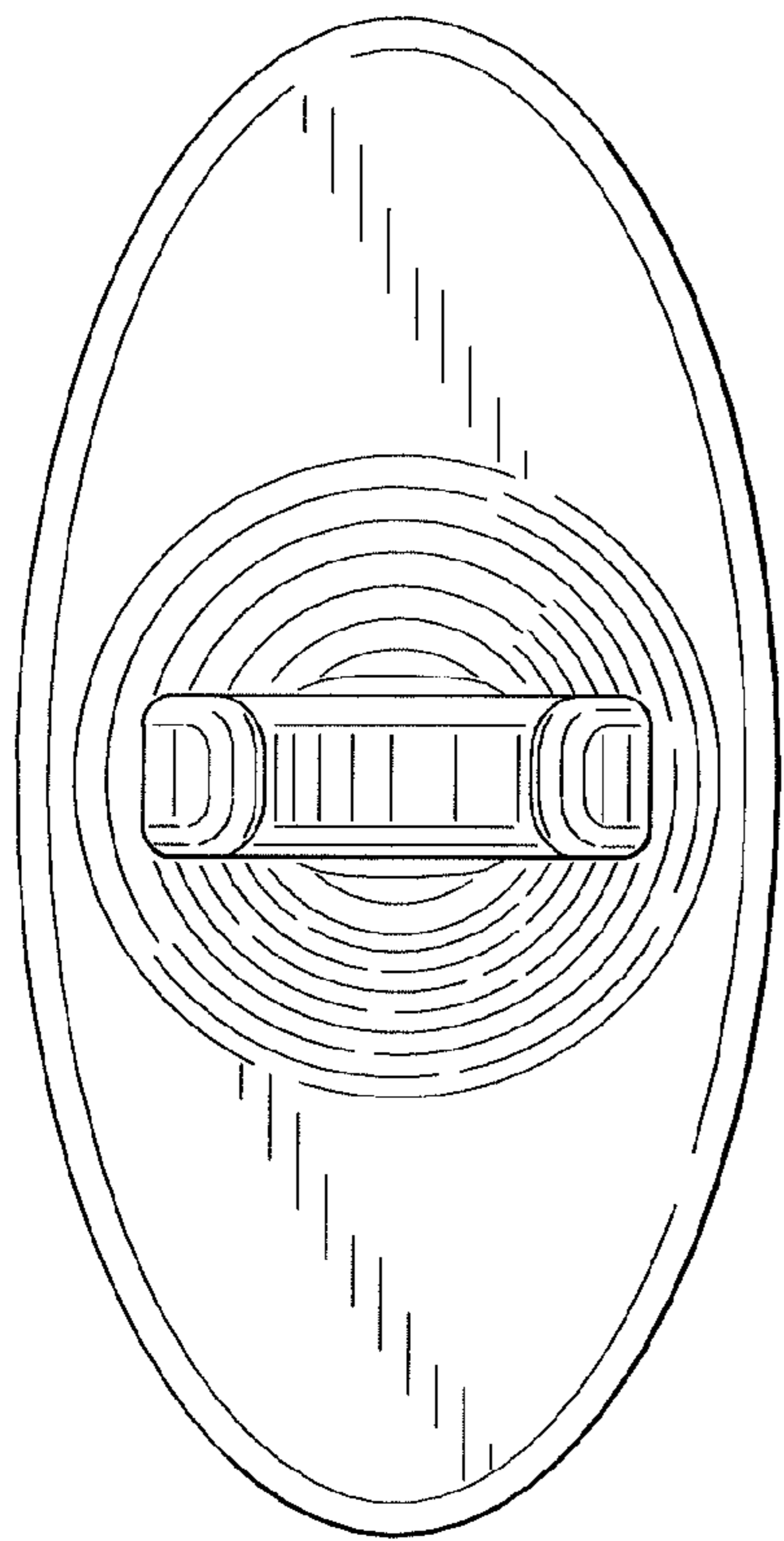


Fig. 2

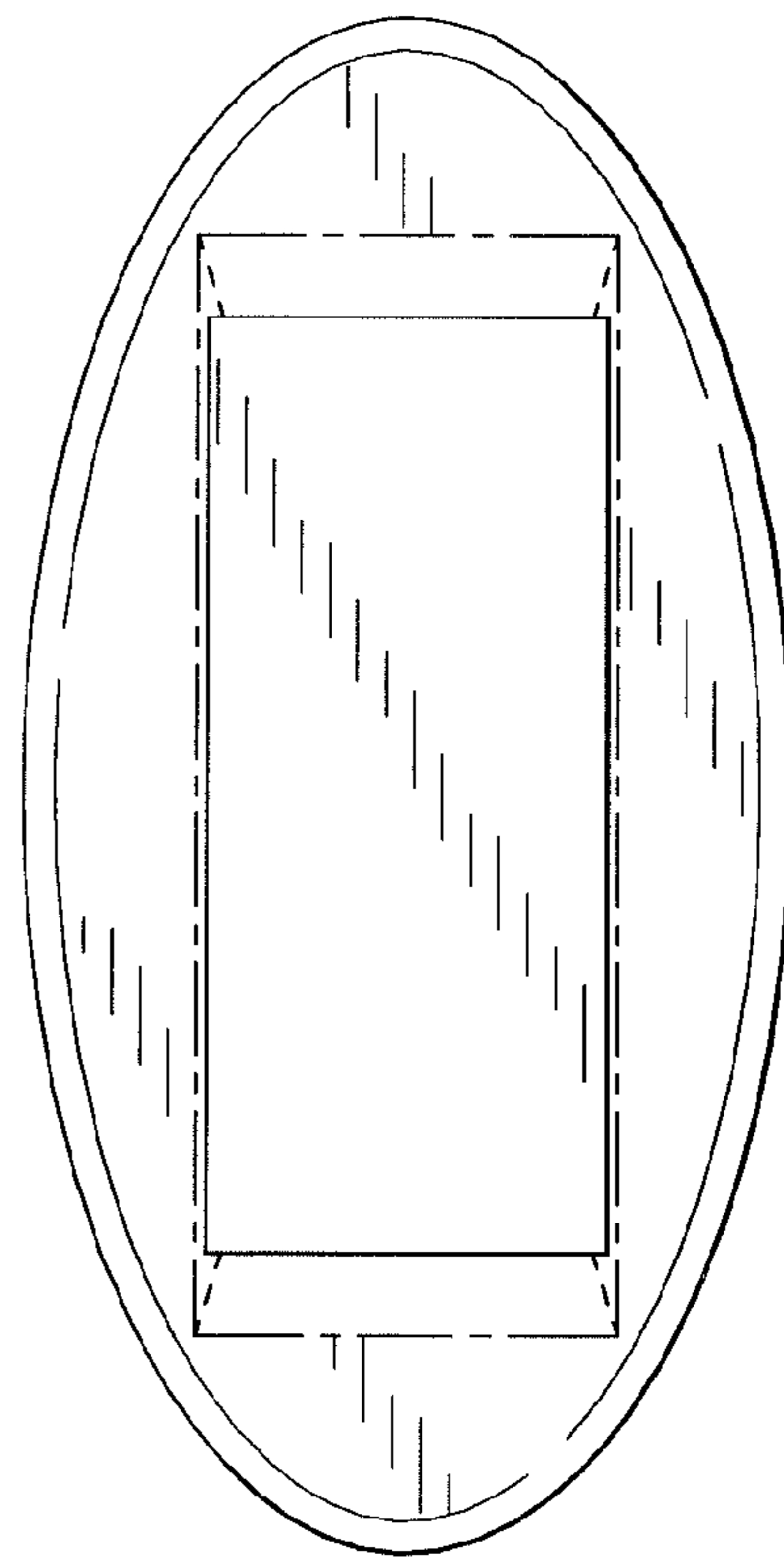


Fig. 3

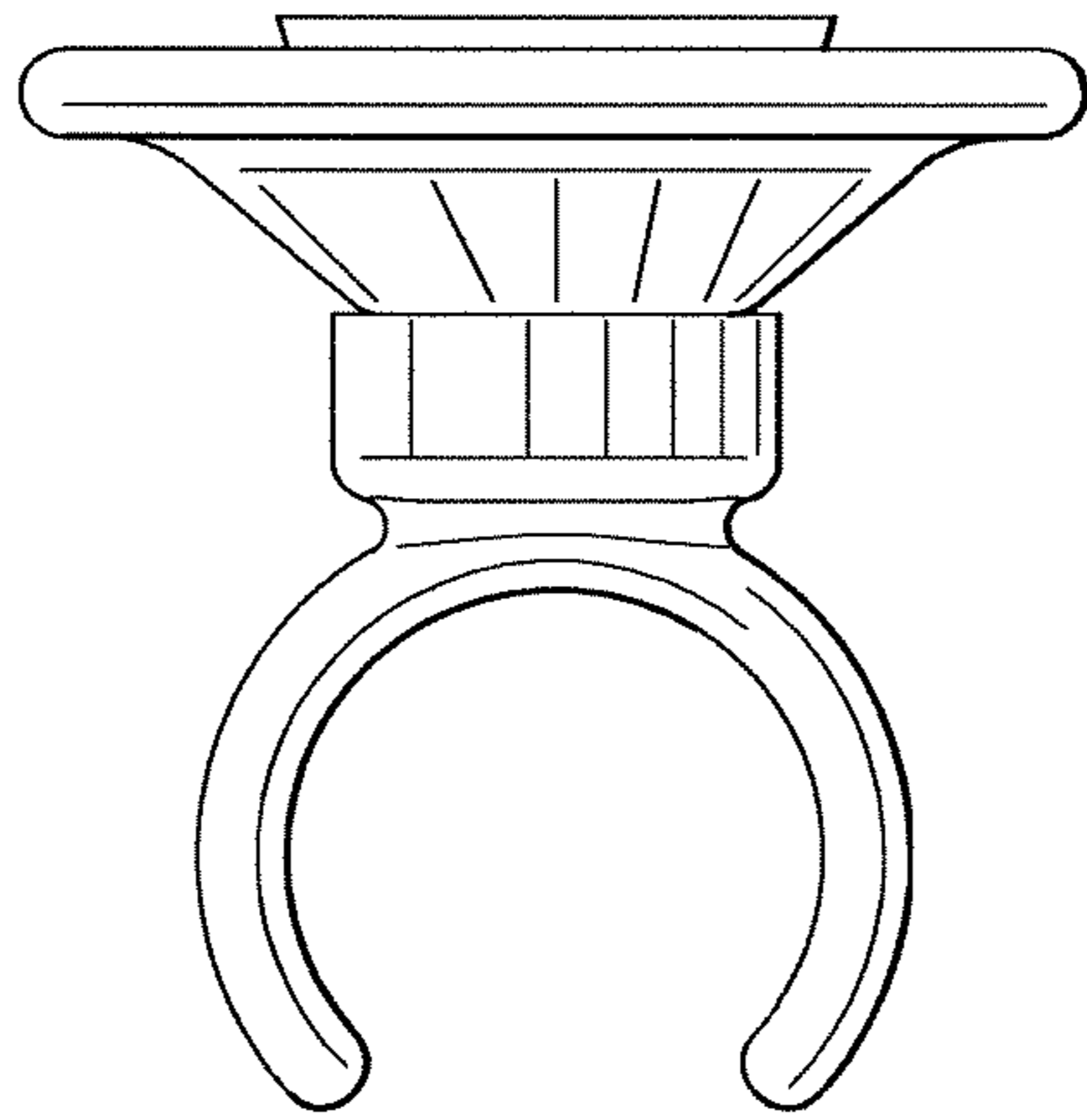


Fig. 4

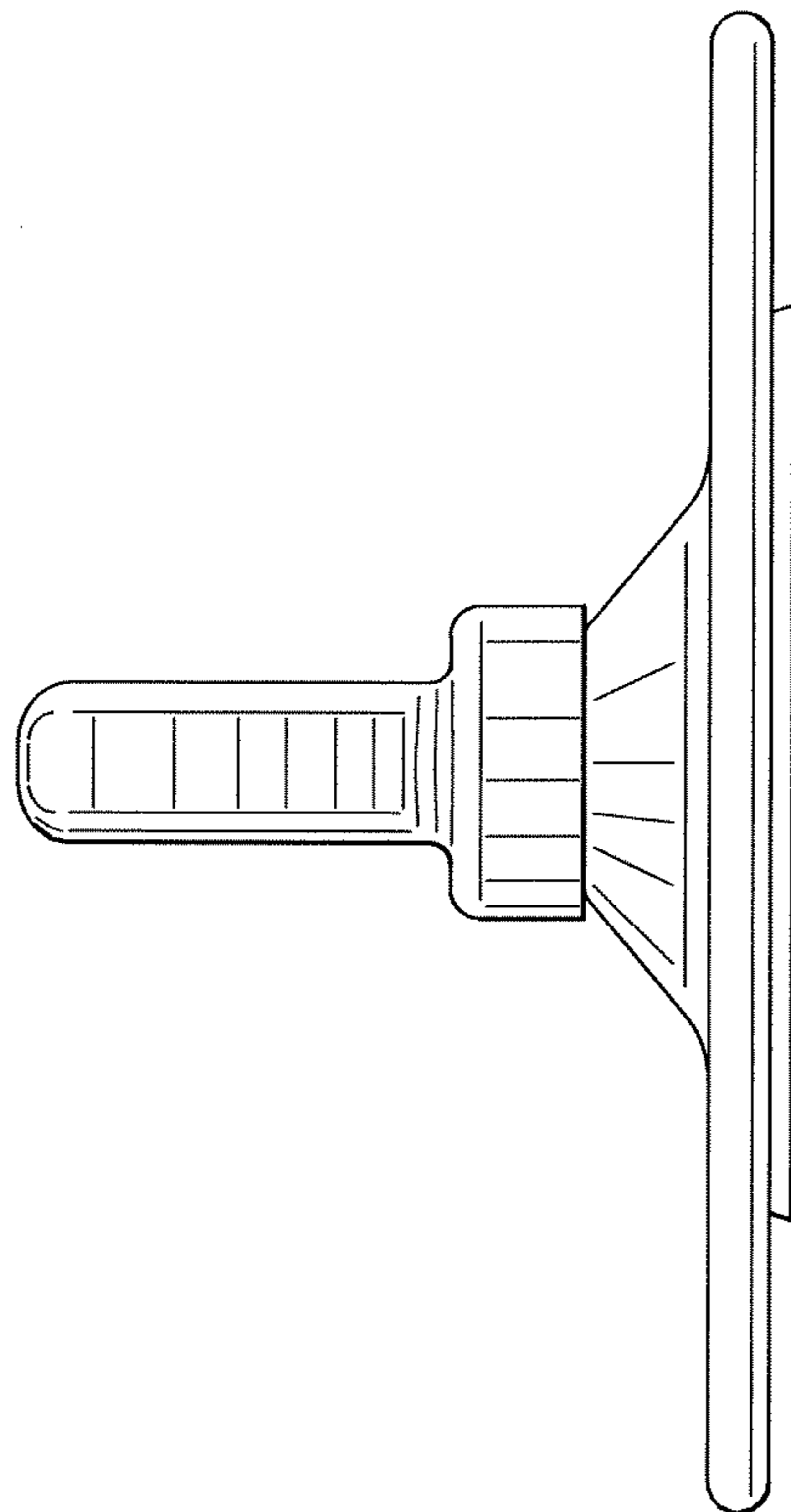


Fig. 5