

US00D652507S

(12) **United States Design Patent**  
**Mittelstadt et al.**

(10) **Patent No.:** **US D652,507 S**  
(45) **Date of Patent:** **\*\* Jan. 17, 2012**

(54) **RESPIRATOR MASK BODY**

(75) Inventors: **William A. Mittelstadt**, Woodbury, MN (US); **Joan K. Henry**, Woodbury, MN (US); **Nathan A. Abel**, Minneapolis, MN (US); **David M. Castiglione**, Hudson, WI (US)

(73) Assignee: **3M Innovative Properties Company**, St. Paul, MN (US)

(\*\*) Term: **14 Years**

(21) Appl. No.: **29/357,295**

(22) Filed: **Mar. 10, 2010**

(51) **LOC (9) Cl.** ..... **29-02**

(52) **U.S. Cl.** ..... **D24/110.1**

(58) **Field of Classification Search** ..... D24/110, D24/110.1, 110.2, 110.3, 110.4, 110.5; D29/102, D29/105, 106, 108, 122; 128/206.15, 206.16, 128/206.17, 206.11, 207.12, 207.18, 200.24, 128/201.17, 204.23, 205.25

See application file for complete search history.

(56) **References Cited**

**U.S. PATENT DOCUMENTS**

D271,246 S \* 11/1983 Matheson et al. .... D24/110.1  
D286,213 S \* 10/1986 Maryanek et al. .... D24/110.1  
5,062,421 A \* 11/1991 Burns et al. .... 128/205.27  
5,463,693 A \* 10/1995 Birli et al. .... 381/75  
D382,341 S \* 8/1997 Freund ..... D24/110.1  
D421,299 S \* 2/2000 Brostrom et al. .... D24/110.1  
D440,301 S 4/2001 Fecteau et al.  
D467,656 S 12/2002 Mittelstadt et al.  
D471,627 S 3/2003 Mittelstadt et al.  
D473,937 S 4/2003 Fecteau et al.  
D541,413 S \* 4/2007 Jarvinen et al. .... D24/110.1  
7,320,722 B2 \* 1/2008 Mittelstadt et al. .... 55/505

D597,200 S 7/2009 Grimsley  
D602,154 S \* 10/2009 Ono et al. .... D24/110.2  
7,650,884 B2 \* 1/2010 Flannigan et al. .... 128/206.12  
D609,884 S \* 2/2010 Cho ..... D2/891  
D613,850 S \* 4/2010 Holmquist-Brown  
et al. .... D24/110.1

**FOREIGN PATENT DOCUMENTS**

EM 96961-001 2/2004  
GB 2073735 8/1998

**OTHER PUBLICATIONS**

3M Dual-Airline Respirators; 9A-47429 and 9A-31321; p. 322 Safety & Industrial Supplies Jan. 1999 General Catalog by Lab Safety Supply.\*

\* cited by examiner

*Primary Examiner* — Ian Simmons

*Assistant Examiner* — Christopher Lee

(74) *Attorney, Agent, or Firm* — Karl G. Hanson

(57) **CLAIM**

The ornamental design for a respirator mask body, as shown and described.

**DESCRIPTION**

FIG. 1 is a perspective view, showing the new design for a respirator mask body;

FIG. 2 is a front view thereof;

FIG. 3 is a rear view thereof;

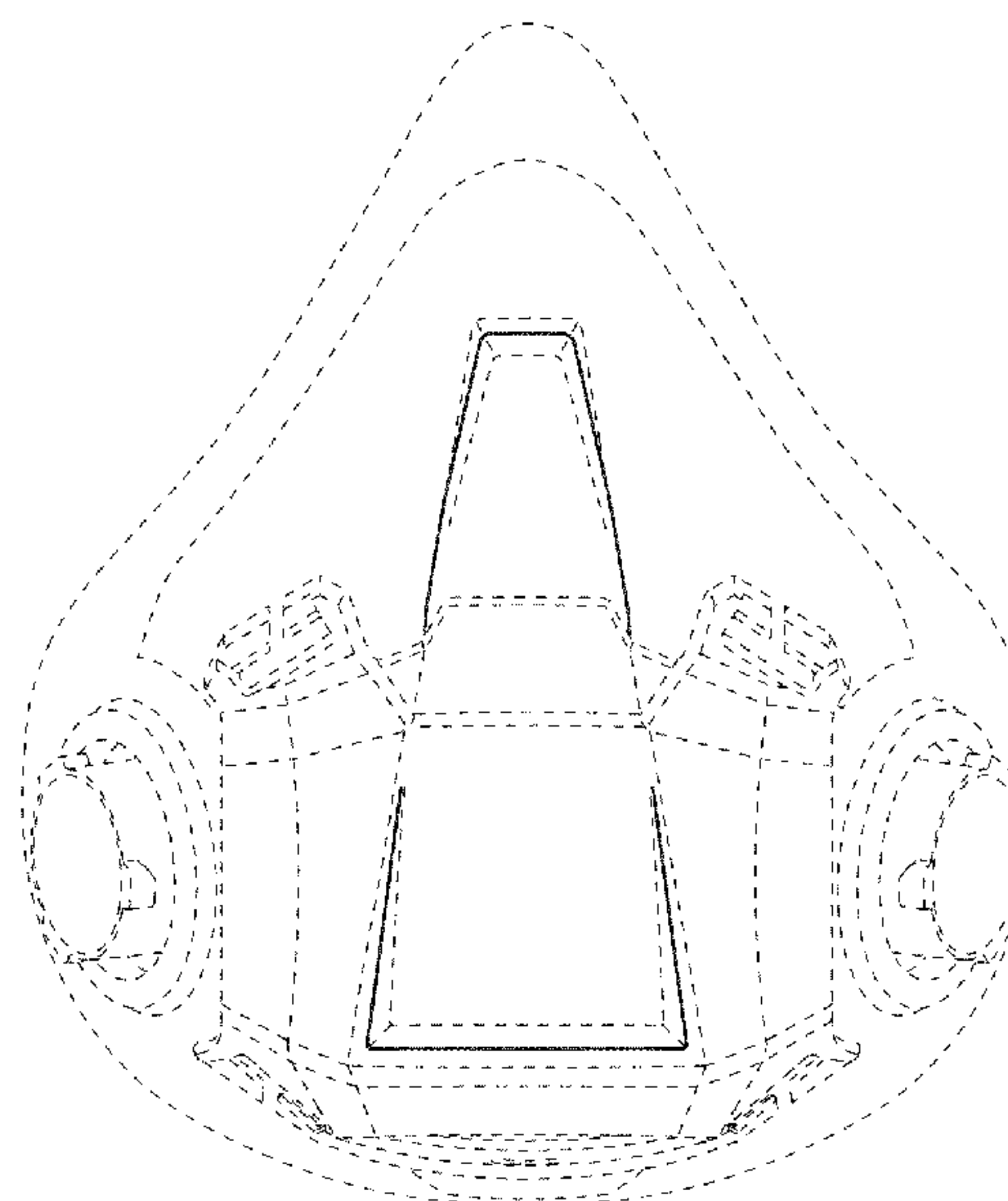
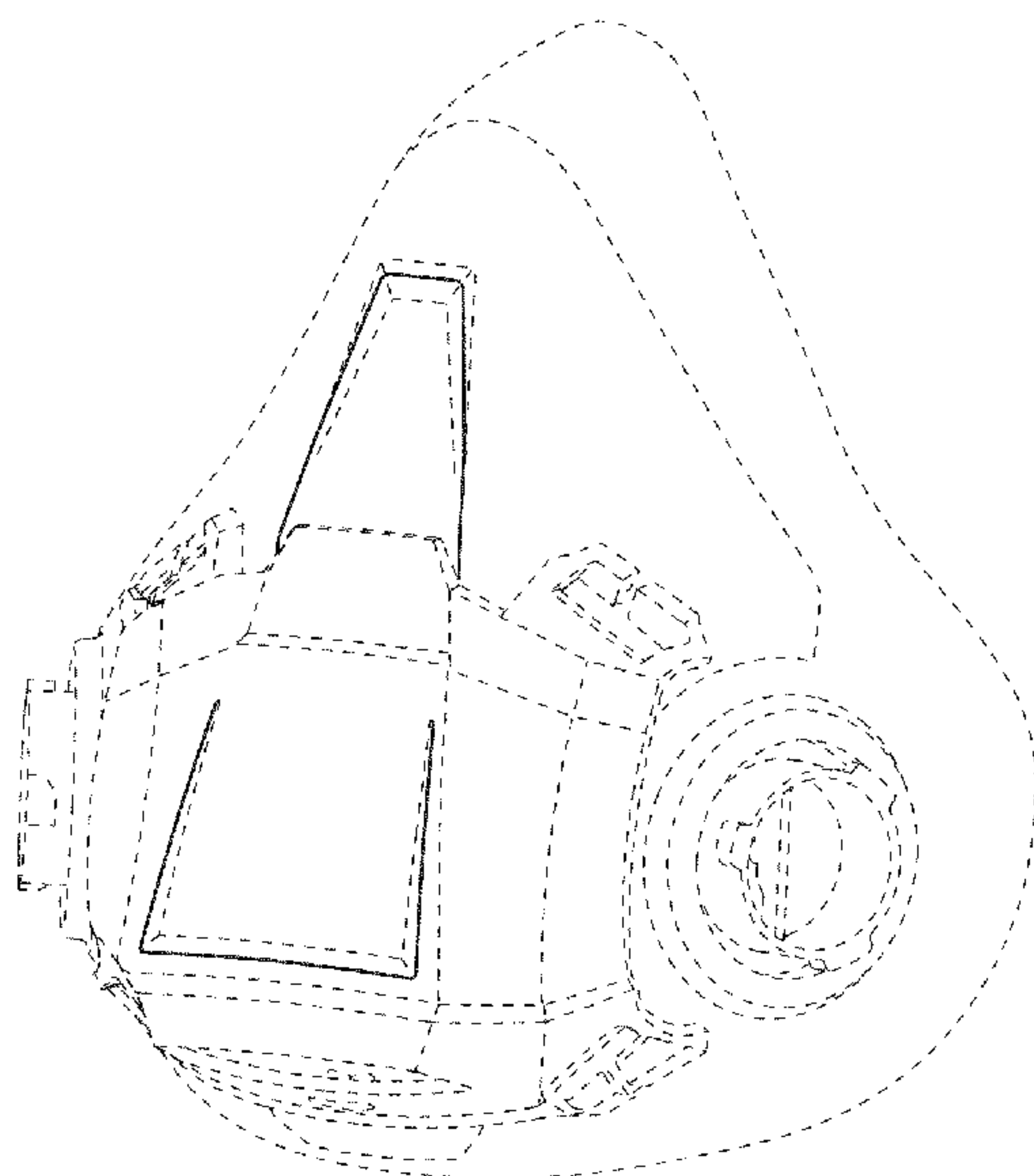
FIG. 4 is a right side view, the left side view being a mirror image thereof;

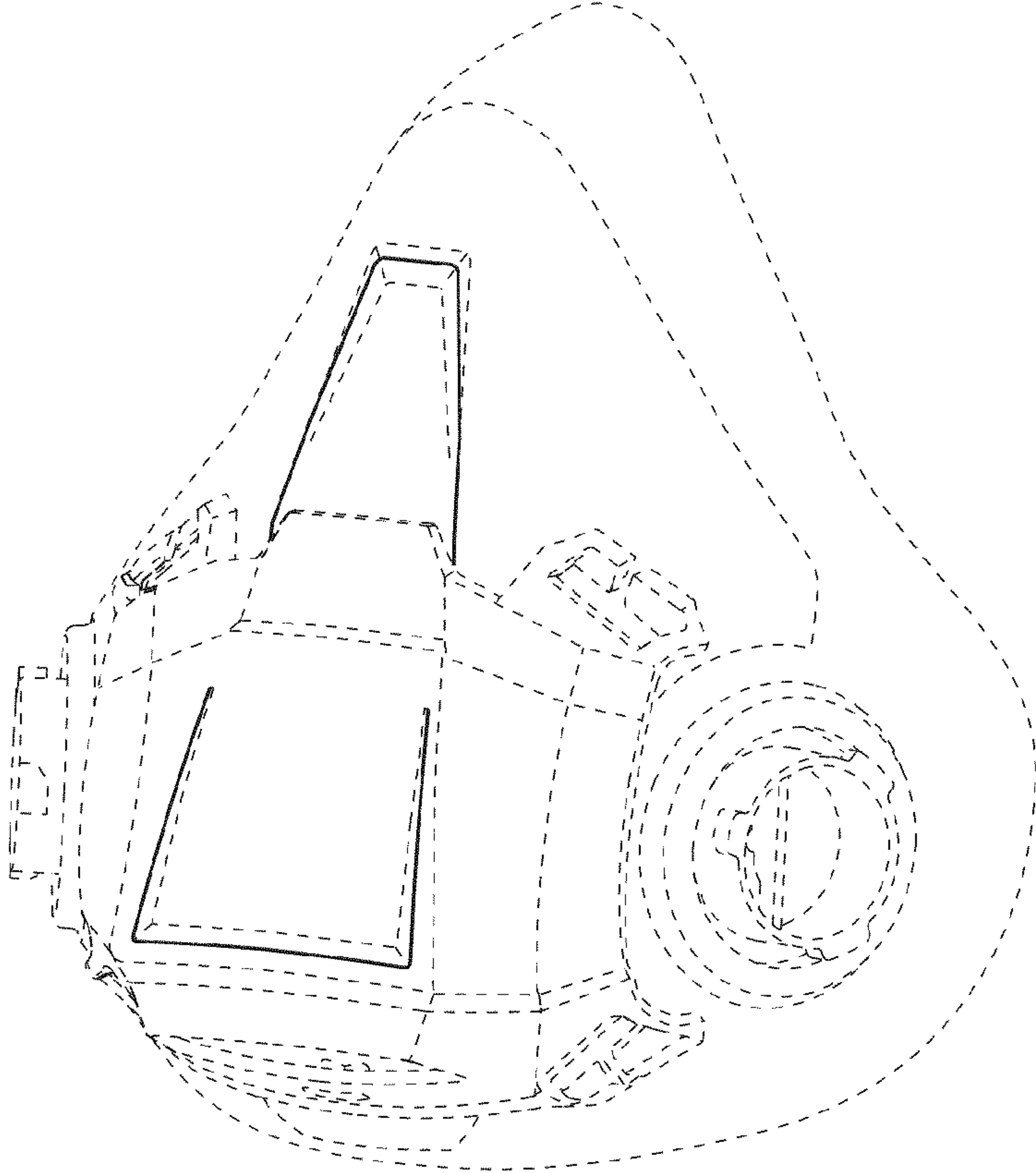
FIG. 5 is a top view thereof; and,

FIG. 6 is a bottom view thereof.

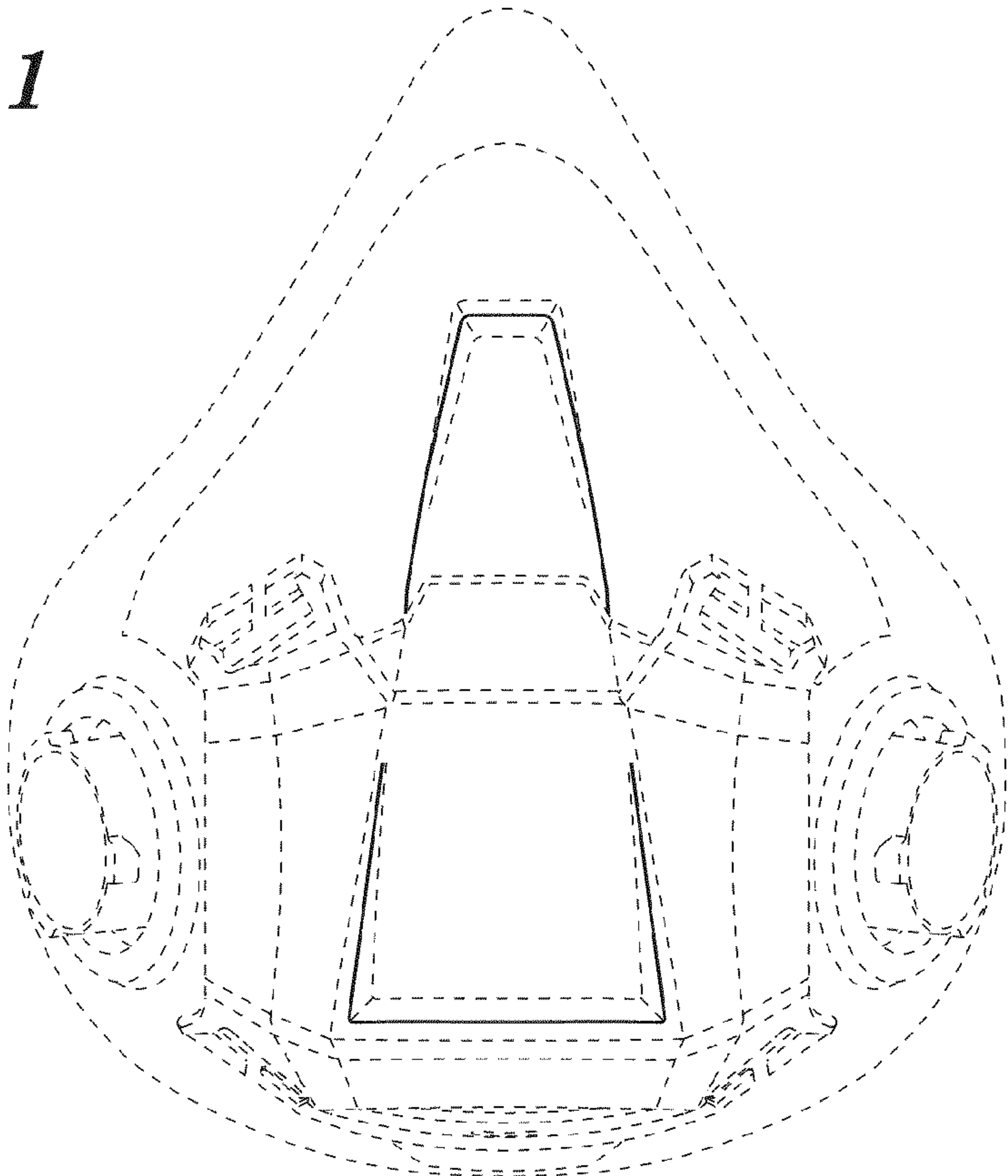
The broken lines illustrate environmental structure of the respiratory mask body, which forms no part of the claimed design.

**1 Claim, 3 Drawing Sheets**

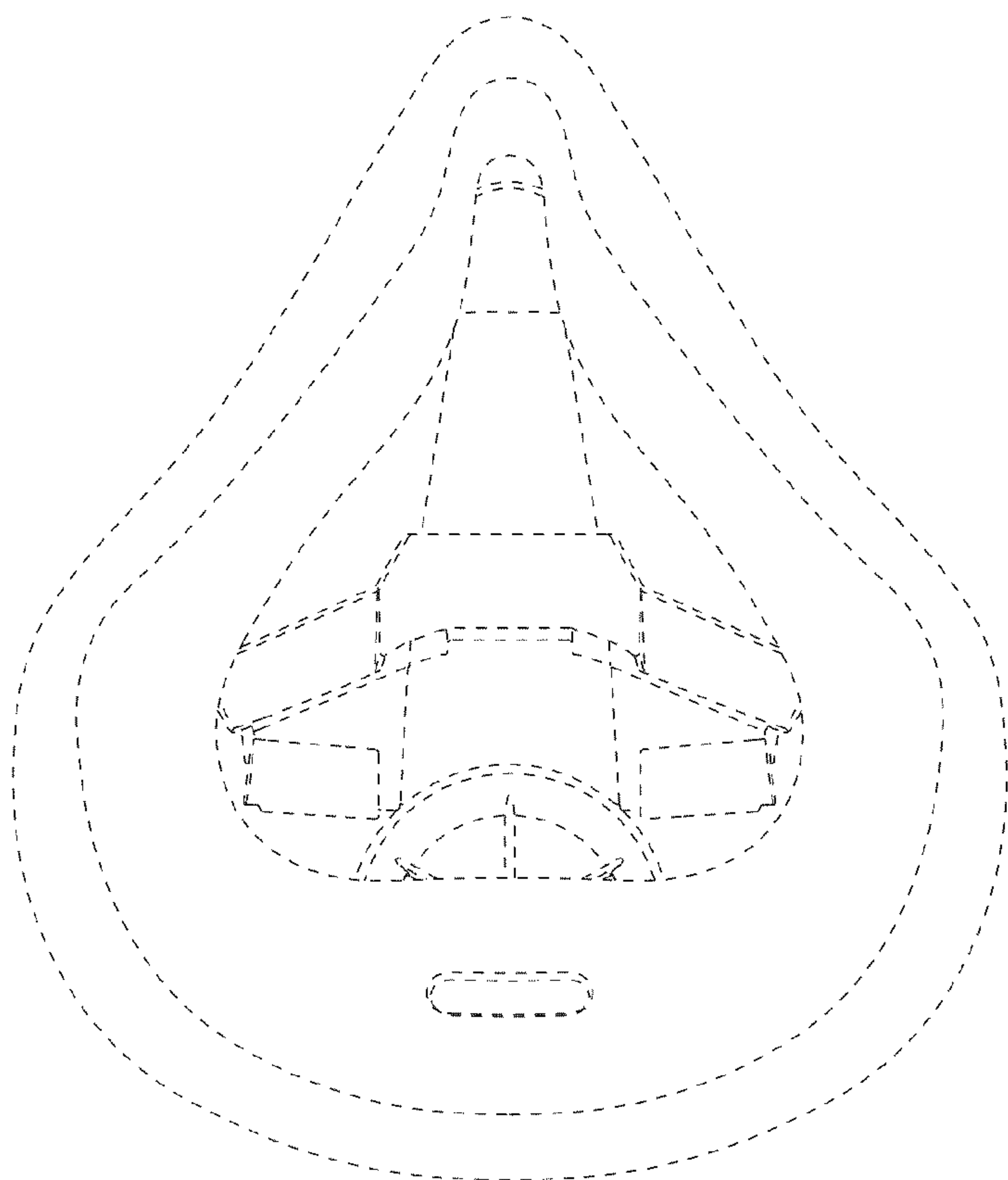




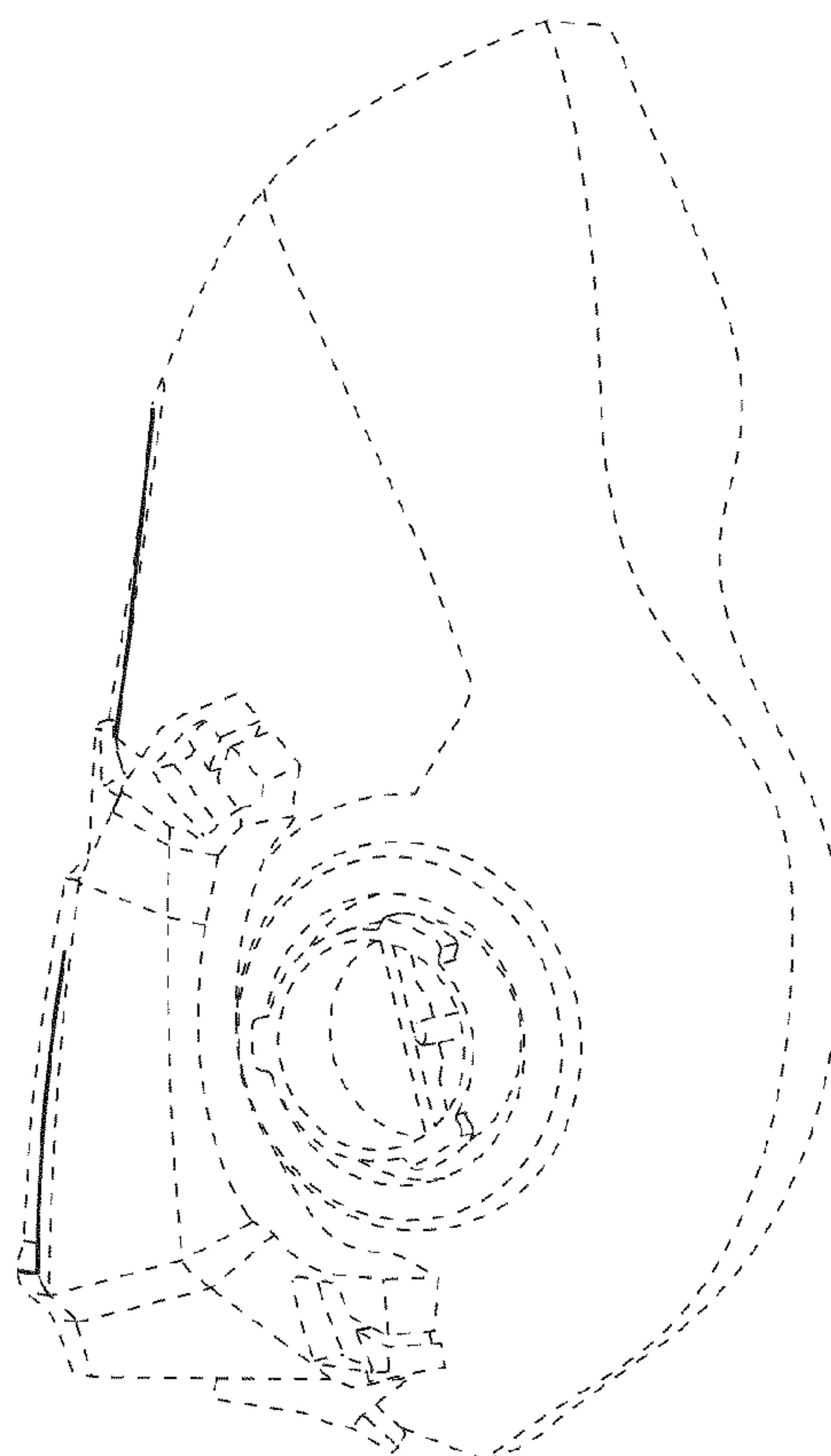
**FIG. 1**



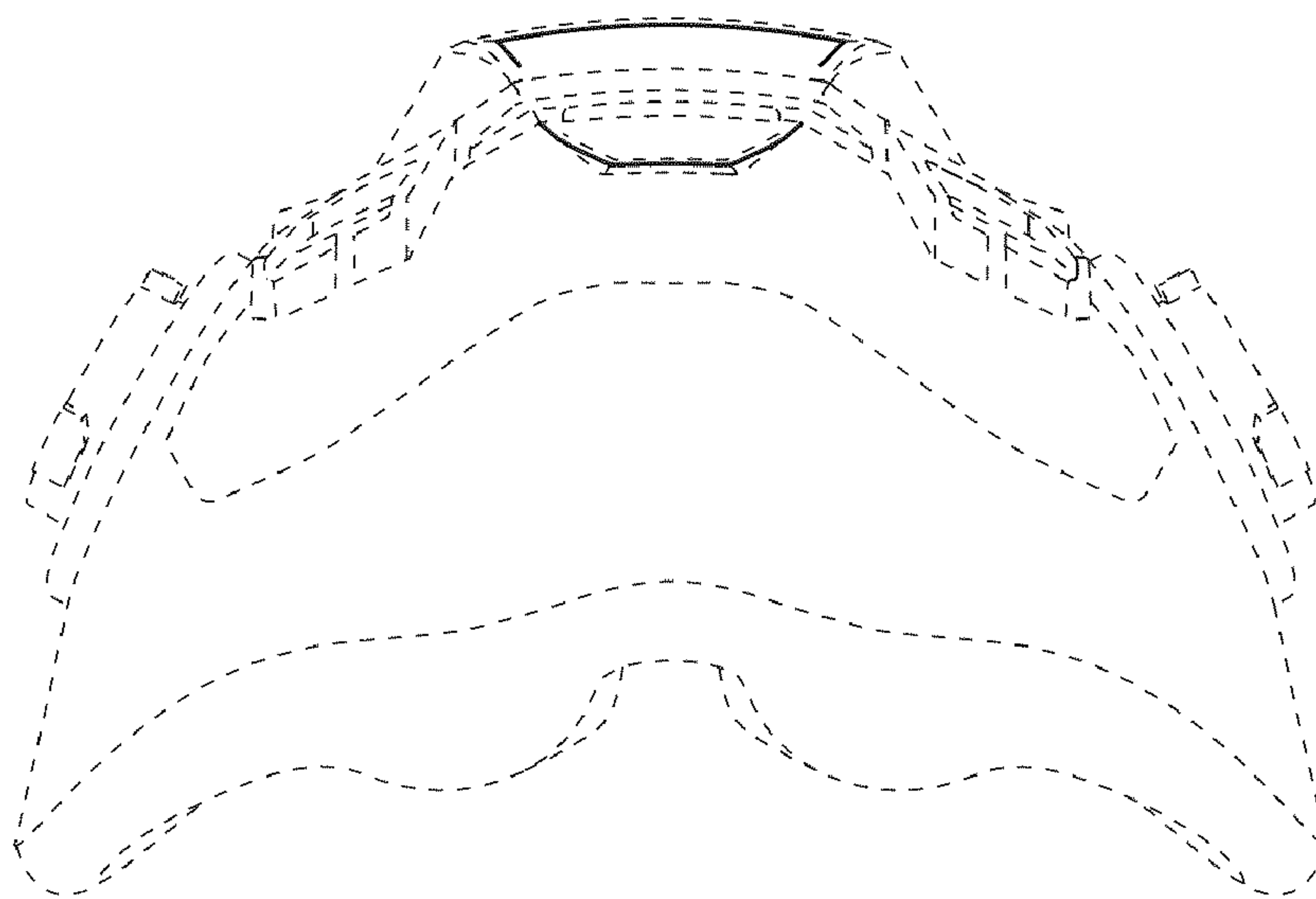
**FIG. 2**



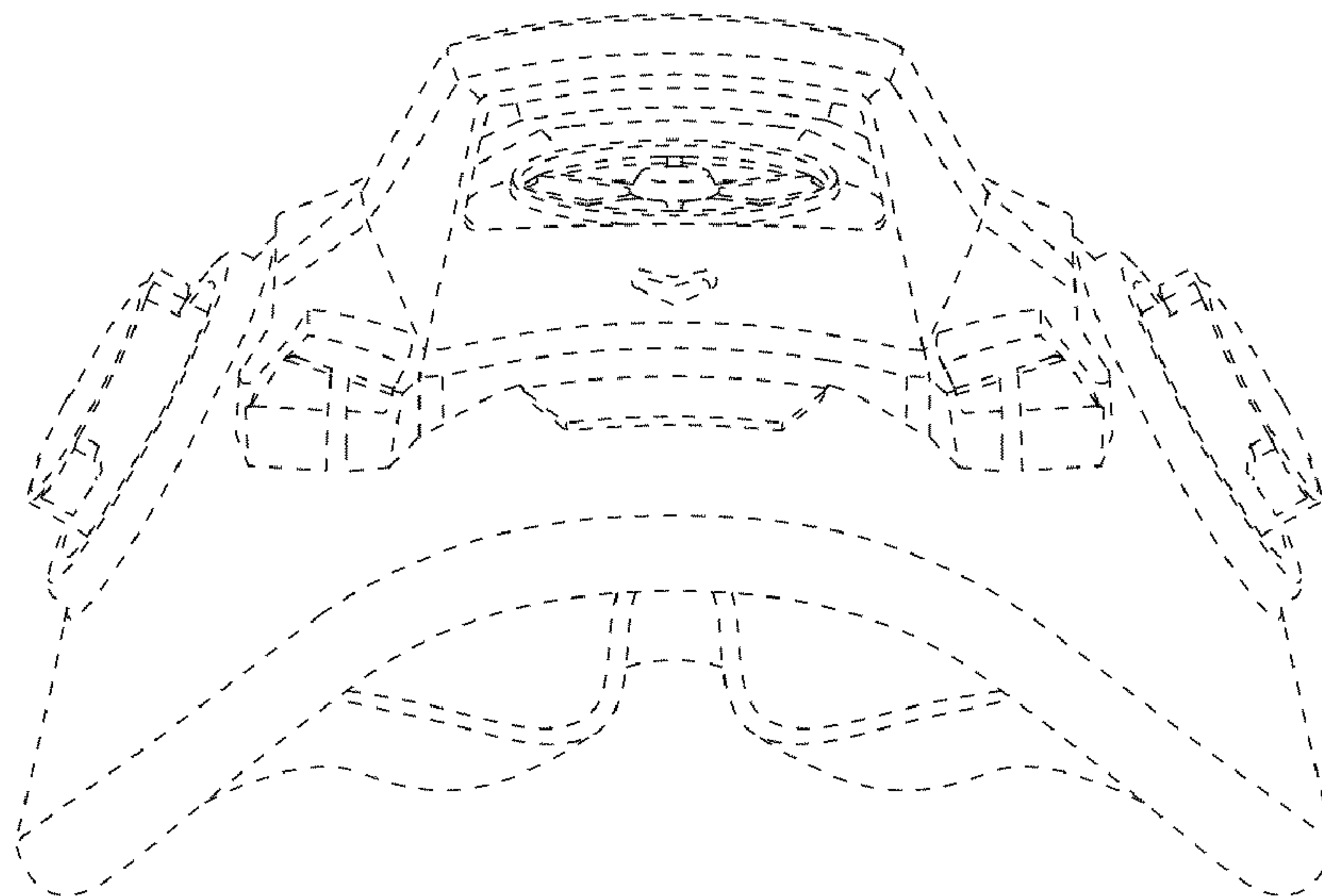
**FIG. 3**



**FIG. 4**



**FIG. 5**



**FIG. 6**