



US00D652505S

(12) **United States Design Patent**  
**Pidcock et al.**

(10) **Patent No.:** **US D652,505 S**  
(45) **Date of Patent:** **\*\* Jan. 17, 2012**

(54) **LEFT AND RIGHT SIDE STRAP AND YOKE FOR A MASK**

(75) Inventors: **David Anthony Pidcock**, Castle Hill (AU); **Memduh Guney**, Killara (AU); **Rupert Christian Scheiner**, Davidson (AU)

(73) Assignee: **ResMed Limited**, Bella Vista (AU)

(\*\*) Term: **14 Years**

(21) Appl. No.: **29/308,629**

(22) Filed: **May 2, 2008**

(51) **LOC (9) Cl.** ..... **29-02**

(52) **U.S. Cl.** ..... **D24/110.1; D24/110.5**

(58) **Field of Classification Search** ..... D24/110.1, D24/110.4, 110.5; 128/207.11, 206.24, 205.25, 128/207.17, 201.19

See application file for complete search history.

(56) **References Cited**

**U.S. PATENT DOCUMENTS**

2,763,263	A	9/1956	Ellman	
3,513,844	A	5/1970	Smith	
4,782,832	A	11/1988	Trimble et al.	
4,915,105	A	4/1990	Lee	
5,687,715	A	11/1997	Landis et al.	
6,119,694	A	9/2000	Correa et al.	
6,431,172	B1	8/2002	Bordewick	
6,595,215	B2	7/2003	Wood	
6,889,689	B1	5/2005	Neuman	
D542,912	S	5/2007	Gunaratnam et al.	
D546,441	S *	7/2007	Hitchcock et al. ....	D24/110.1
D586,907	S *	2/2009	Judson et al. ....	D24/110.1
D586,911	S *	2/2009	McAuley et al. ....	D24/110.5
D588,258	S *	3/2009	Judson et al. ....	D24/110.1
D591,419	S *	4/2009	Chandran et al. ....	D24/110.1
D623,288	S *	9/2010	Lubke et al. ....	D24/110.1
D637,279	S *	5/2011	Scheiner et al. ....	D24/110
2003/0196655	A1	10/2003	Ging et al.	
2006/0137690	A1	6/2006	Gunaratnam et al.	

**OTHER PUBLICATIONS**

InnoMed Technologies, "Nasal-Pap Freestyle™" Brochure, 2004, 2 pages.

InnoMed Technologies, "Nasal Aire™" Brochure 2003, 1 page.

Viasys Healthcare, "LYRA Nasal CPAP Interface" Brochure, 2004, 2 pages.

\* cited by examiner

*Primary Examiner* — Ian Simmons

*Assistant Examiner* — Christopher Lee

(74) *Attorney, Agent, or Firm* — Nixon & Vanderhye P.C.

(57) **CLAIM**

The ornamental design for a left and right side strap and yoke for a mask, as shown and described.

**DESCRIPTION**

FIG. 1 is a front view of a left side strap and yoke for a mask according to an embodiment of our design;

FIG. 2 is a rear view thereof;

FIG. 3 is a top view thereof;

FIG. 4 is a bottom view thereof;

FIG. 5 is a left side view thereof;

FIG. 6 is a right side view thereof;

FIG. 7 is a front view of a right side strap and yoke for a mask according to an embodiment of our design;

FIG. 8 is a rear view thereof;

FIG. 9 is a top view thereof;

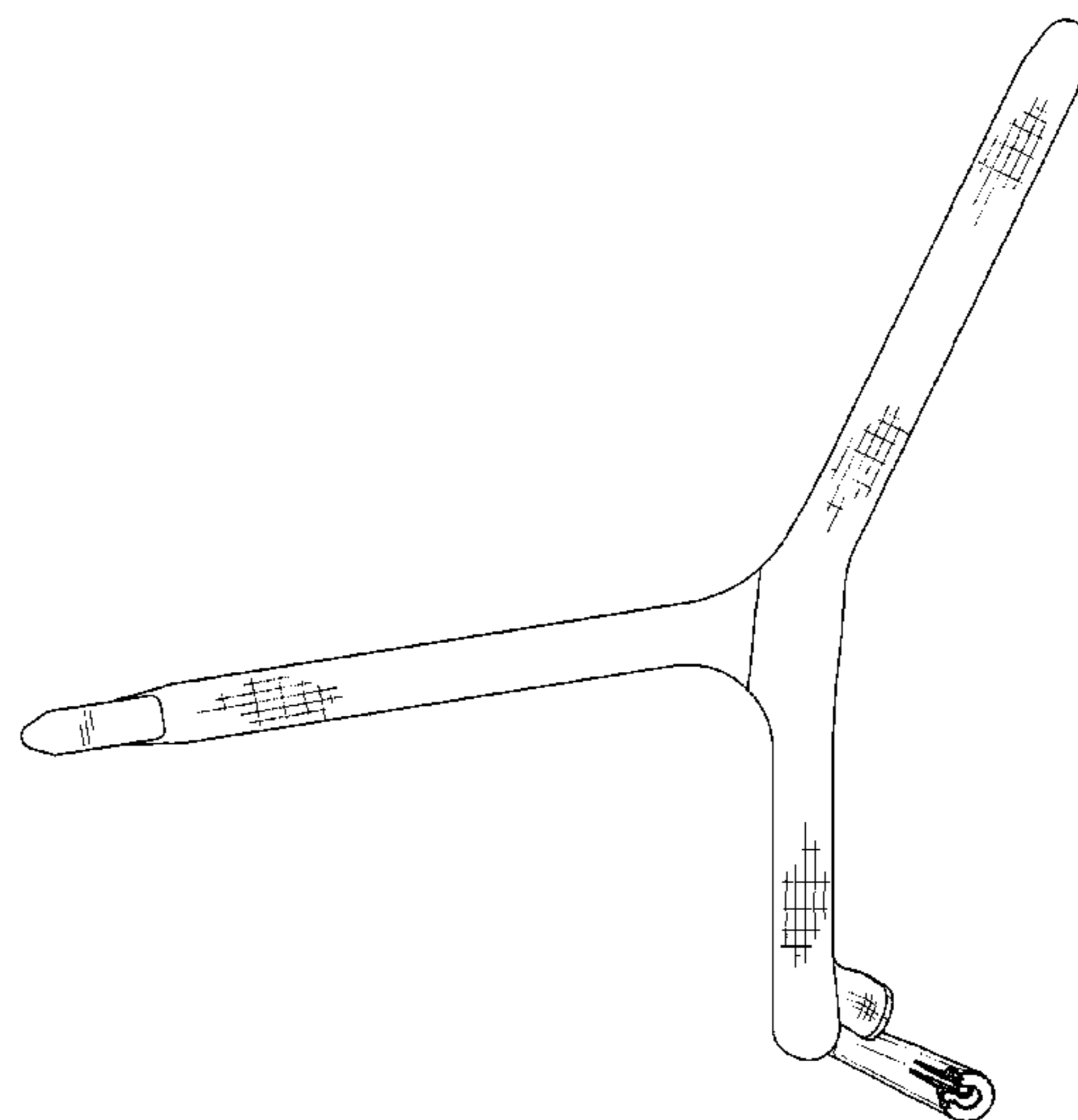
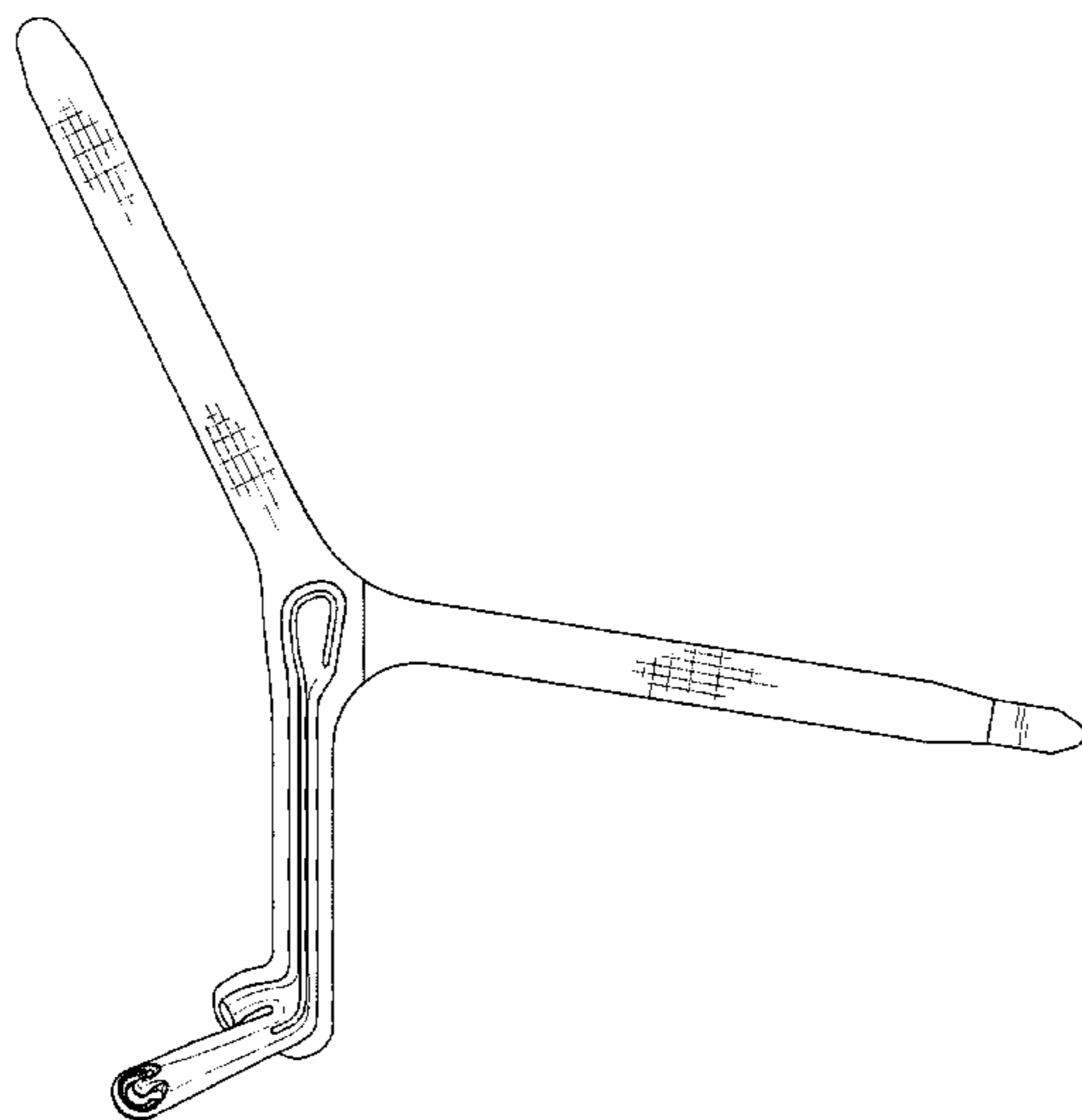
FIG. 10 is a bottom view thereof;

FIG. 11 is a right side view thereof; and,

FIG. 12 is a left side view thereof.

Where included, the use of stippling and shading is provided to show contrast in materials and/or to differentiate between different areas of the design. The claimed design is not limited to the illustrative use of stippling and/or shading.

**1 Claim, 6 Drawing Sheets**



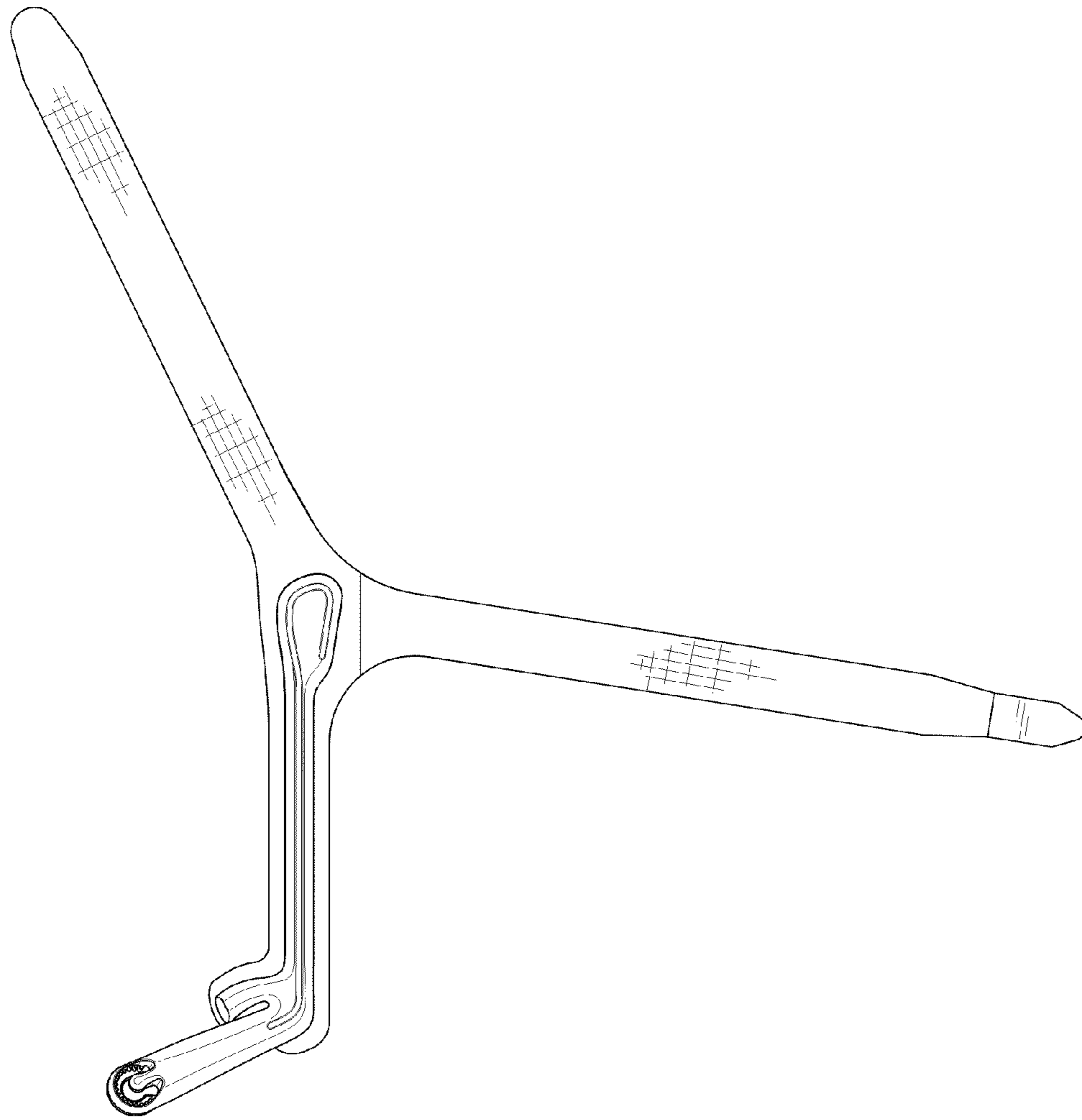


Fig. 1

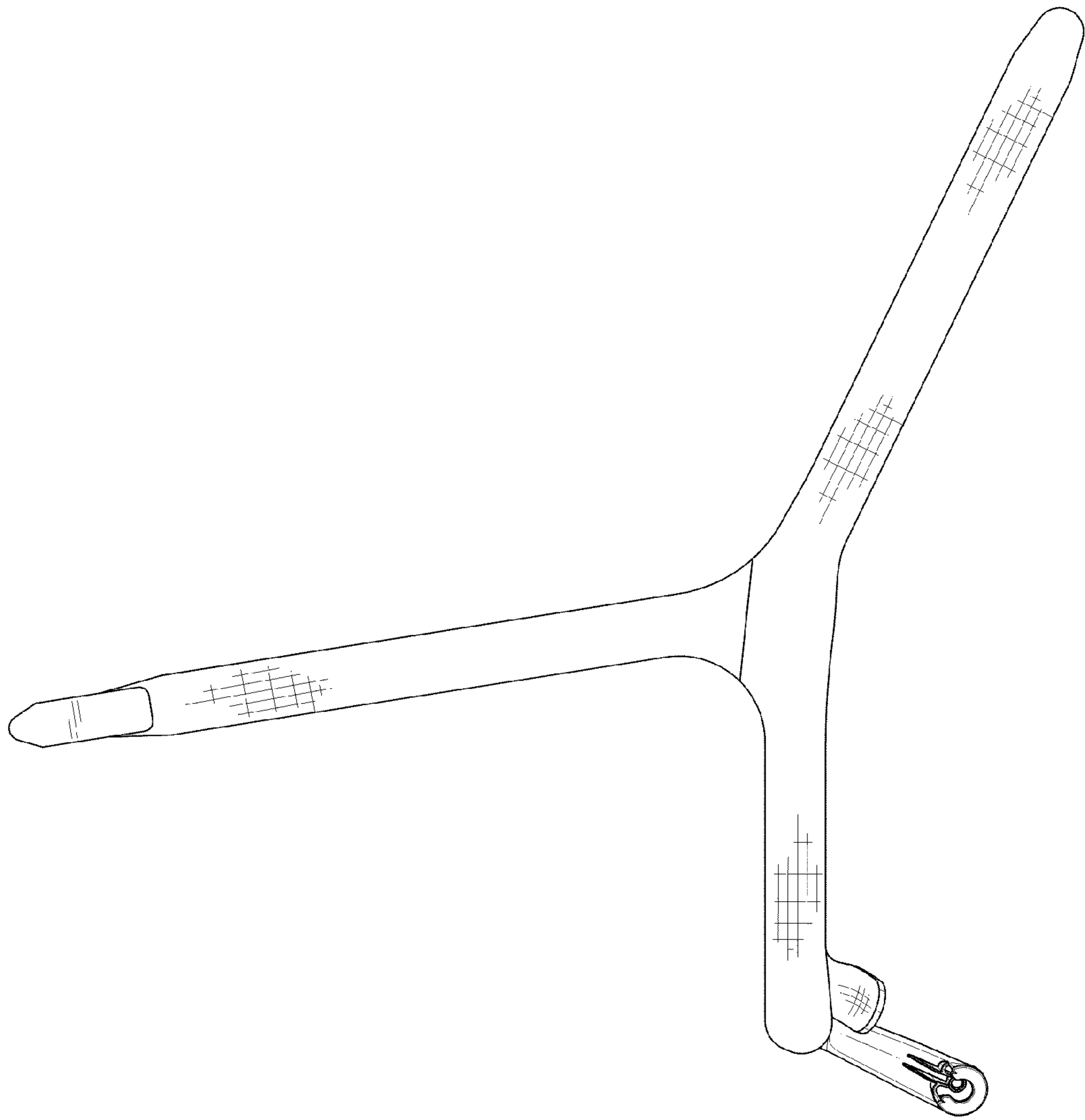


Fig. 2

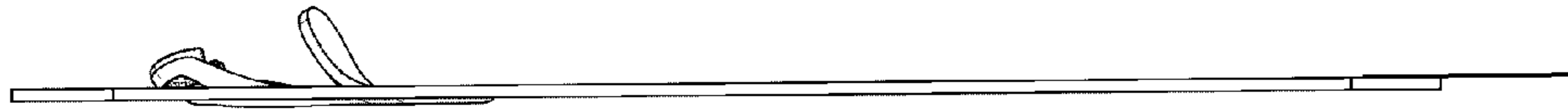


Fig. 3



Fig. 4

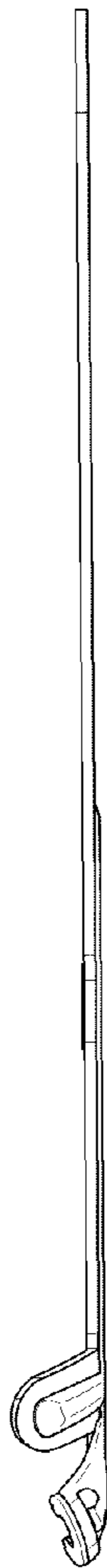


Fig. 5

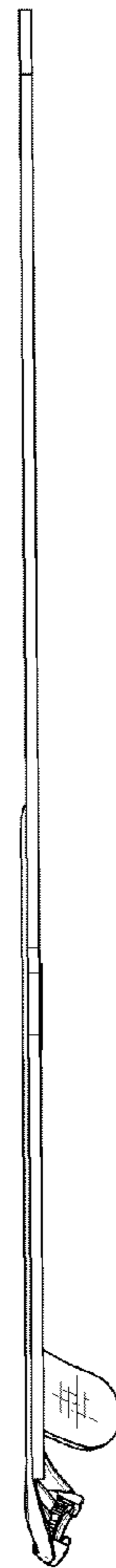


Fig. 6

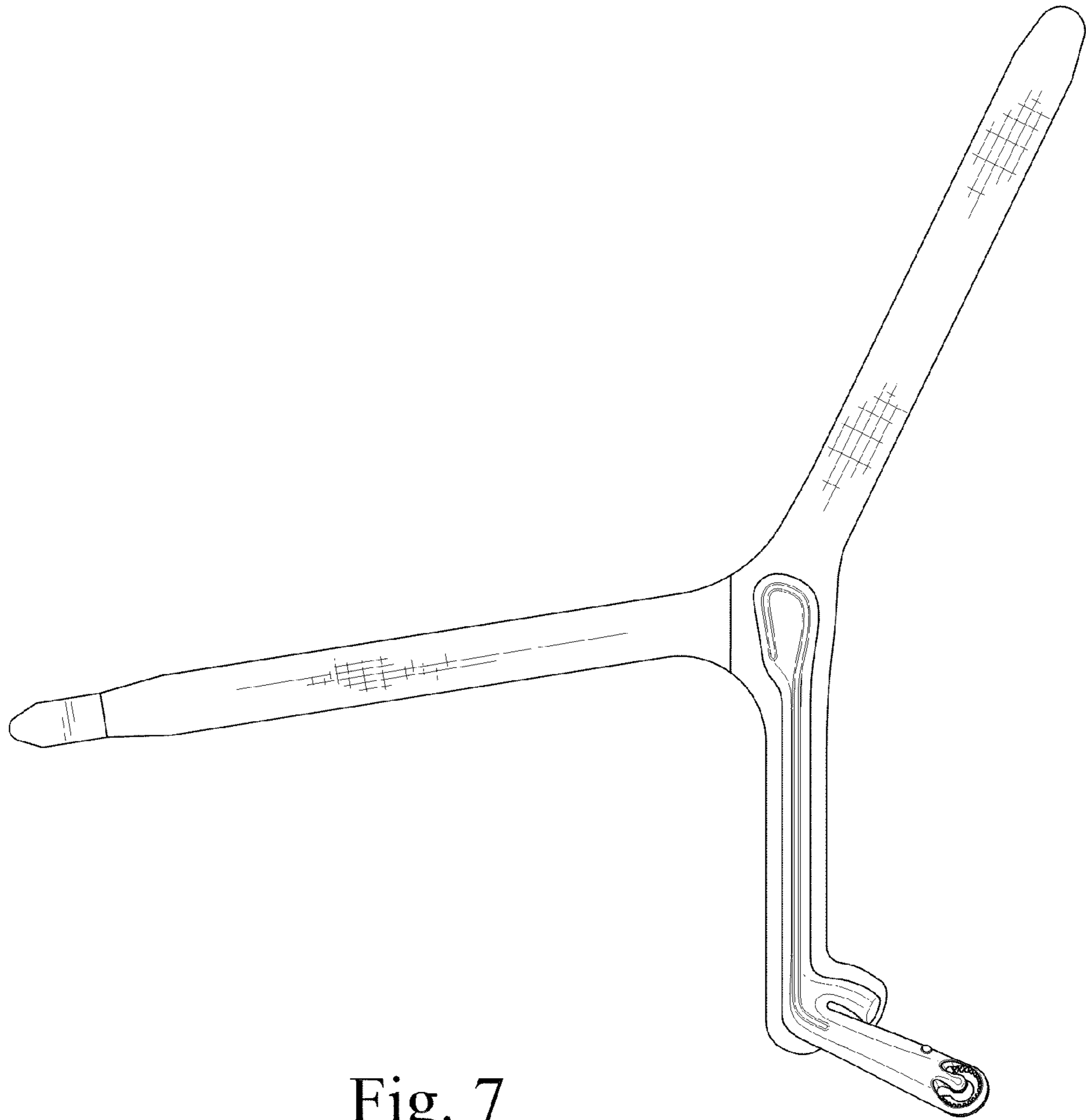


Fig. 7

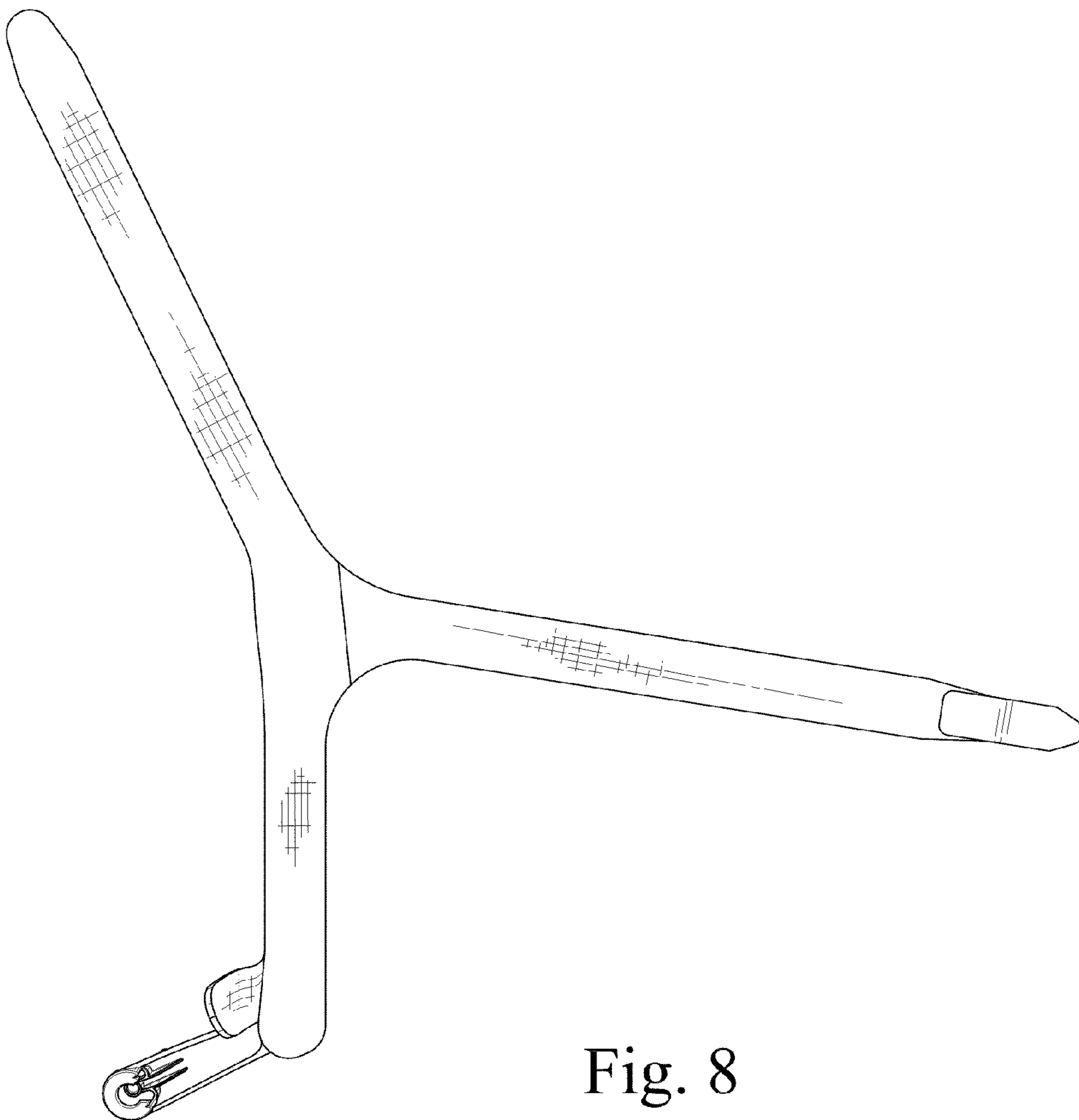


Fig. 8

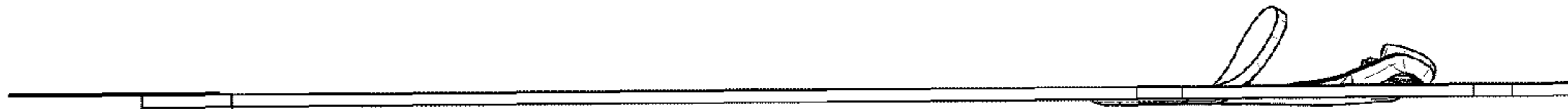


Fig. 9

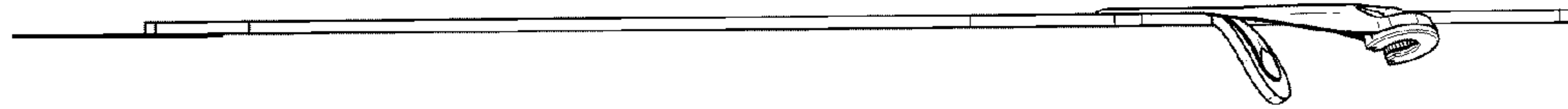


Fig. 10

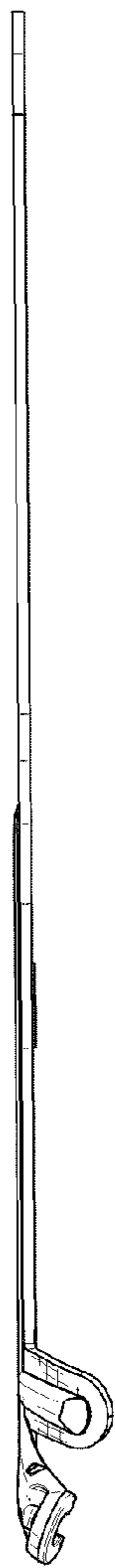


Fig. 11

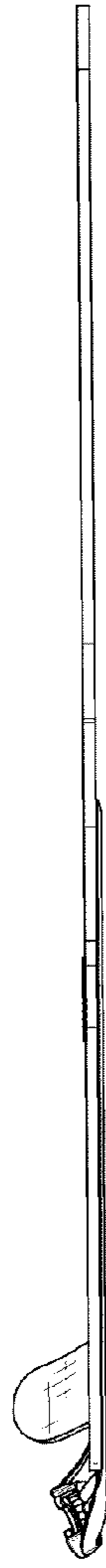


Fig. 12