



US00D652502S

(12) **United States Design Patent**
Cameron et al.

(10) **Patent No.:** **US D652,502 S**
(45) **Date of Patent:** **** Jan. 17, 2012**

(54) **MEDICAL DEVICE**

(75) Inventors: **Allan Cameron**, Natick, MA (US); **Paul C. Gregory**, Watertown, MA (US); **Gaurav Rohatgi**, Franklin, MA (US); **Jeremy Paul Zietz**, Cambridge, MA (US)

(73) Assignee: **CeQur SA**, Horw (CH)

(**) Term: **14 Years**

(21) Appl. No.: **29/359,303**

(22) Filed: **Apr. 8, 2010**

(51) **LOC (9) Cl.** **24-01**

(52) **U.S. Cl.** **D24/108; D24/111**

(58) **Field of Classification Search** D24/108, D24/111, 169; 128/DIG. 2, DIG. 13; 604/129, 604/131, 151, 152, 154, 164.04, 164.08, 604/180, 513, 890.1

See application file for complete search history.

(56) **References Cited**

U.S. PATENT DOCUMENTS

6,123,690	A *	9/2000	Mejslov	604/533
6,520,938	B1	2/2003	Funderburk et al.	
6,589,229	B1	7/2003	Connelly et al.	
D550,355	S *	9/2007	Racz et al.	D24/129
D600,341	S	9/2009	Loerwald	
D607,099	S	12/2009	Loerwald	
7,713,258	B2 *	5/2010	Adams et al.	604/513
2002/0087147	A1	7/2002	Hooper et al.	
2004/0158207	A1	8/2004	Hunn et al.	
2005/0043687	A1	2/2005	Mogensen et al.	
2005/0101932	A1	5/2005	Cote et al.	
2006/0184121	A1	8/2006	Brockman et al.	
2006/0200073	A1	9/2006	Radmer et al.	
2007/0250007	A1	10/2007	Shekalim	

2007/0282269	A1	12/2007	Carter et al.	
2008/0051710	A1 *	2/2008	Moberg et al.	604/131
2008/0051738	A1	2/2008	Griffin	
2008/0058718	A1	3/2008	Adams et al.	
2008/0119790	A1	5/2008	Hawkins et al.	
2008/0167620	A1	7/2008	Adams et al.	
2008/0215006	A1	9/2008	Thorkild	
2008/0234630	A1	9/2008	Iddan et al.	
2009/0012472	A1	1/2009	Ahm et al.	
2009/0163866	A1 *	6/2009	Hines et al.	604/131
2009/0216103	A1	8/2009	Brister et al.	

FOREIGN PATENT DOCUMENTS

WO WO-2008086007 7/2008

OTHER PUBLICATIONS

Image available at www.cegur.net, at least as early as Oct. 2009, 1 page.

* cited by examiner

Primary Examiner — Ian Simmons

Assistant Examiner — Christopher Lee

(74) *Attorney, Agent, or Firm* — Goodwin Procter LLP

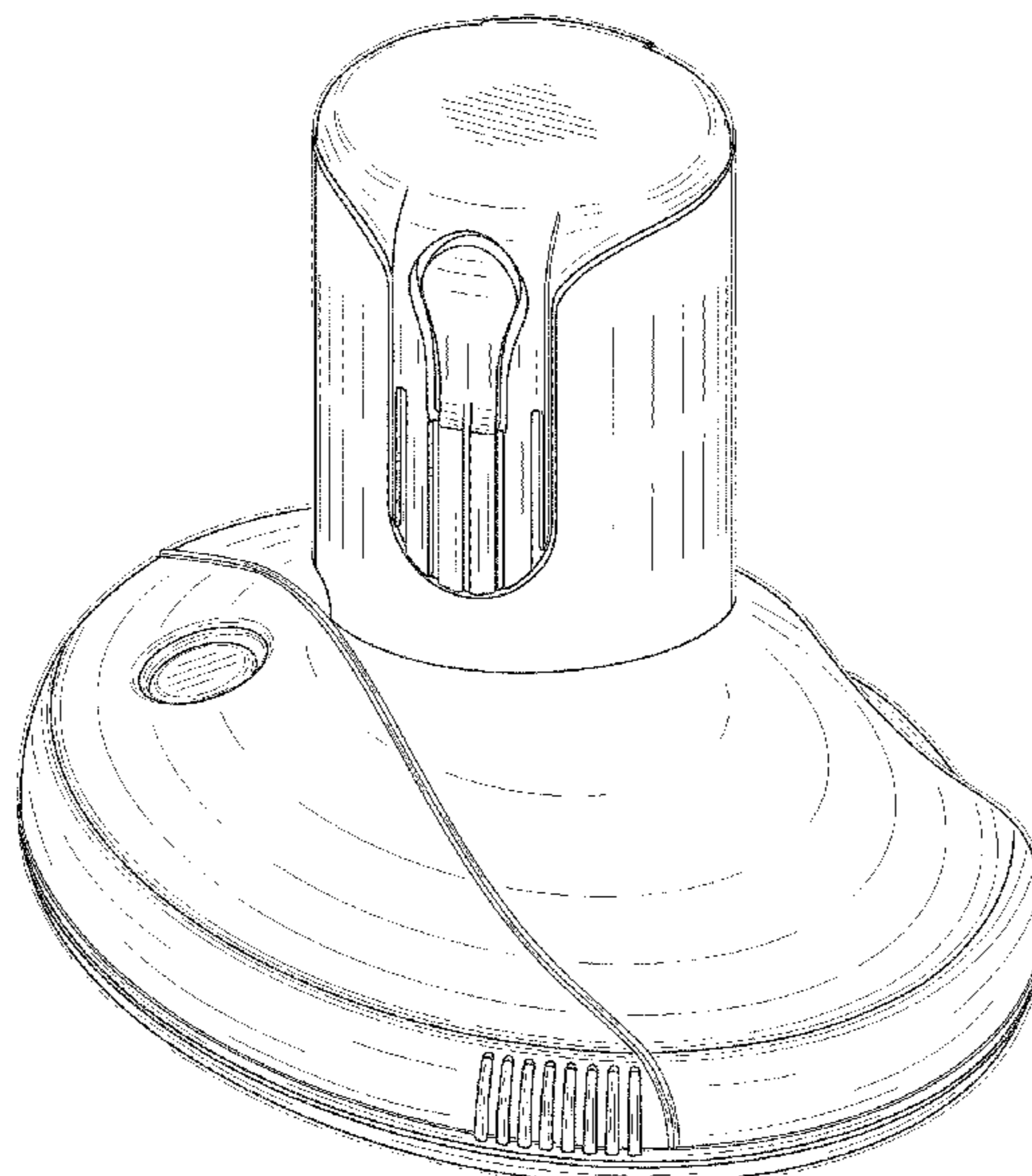
(57) **CLAIM**

The ornamental design for a medical device, as shown and described.

DESCRIPTION

FIG. 1 is a top perspective view of the medical device; FIG. 2 is a left side view of the medical device; FIG. 3 is a front side view of the medical device; FIG. 4 is a right side view of the medical device; FIG. 5 is a rear side view of the medical device; FIG. 6 is top view of the medical device; and, FIG. 7 is a bottom view of the medical device.

1 Claim, 4 Drawing Sheets



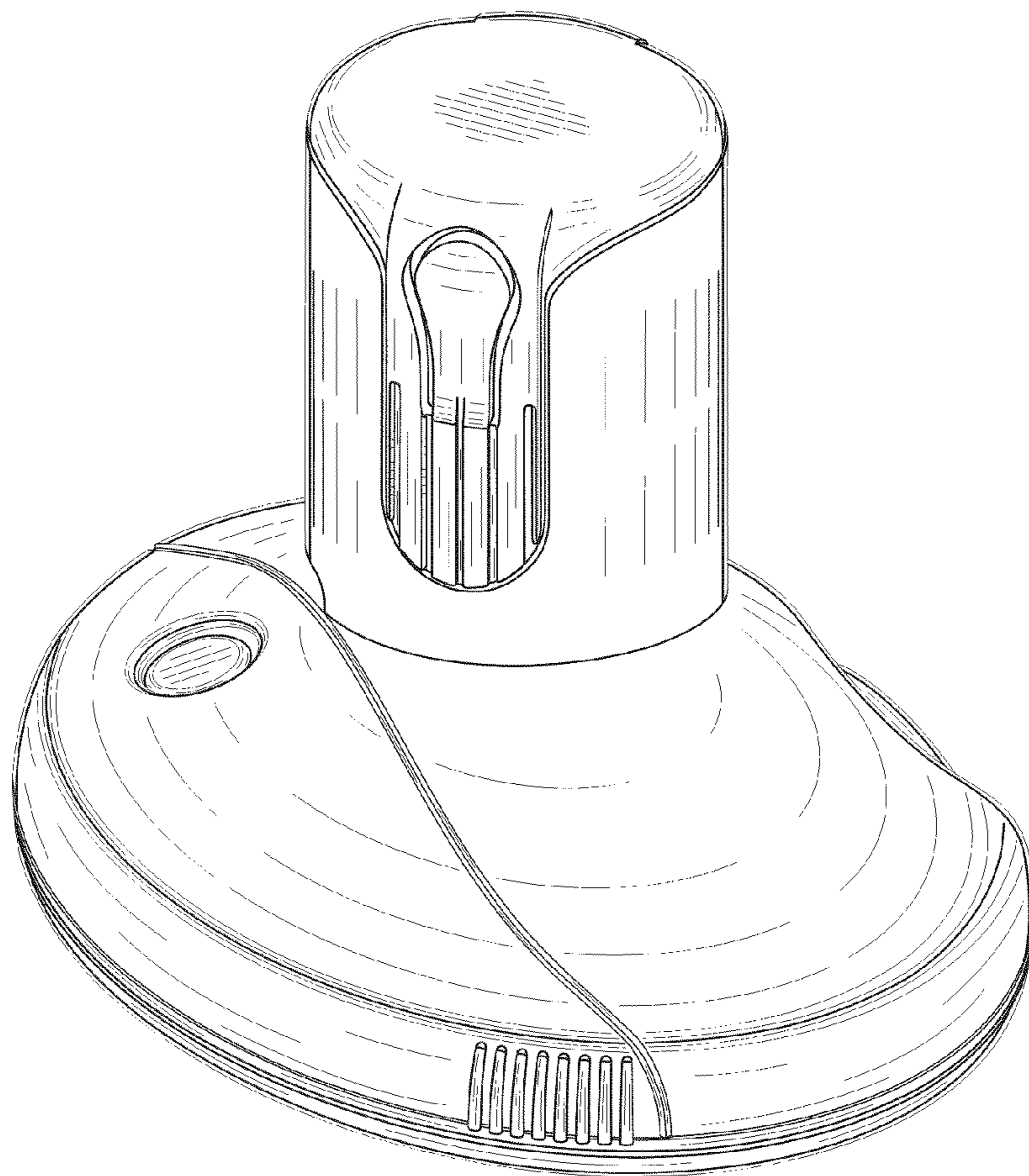


FIG. 1

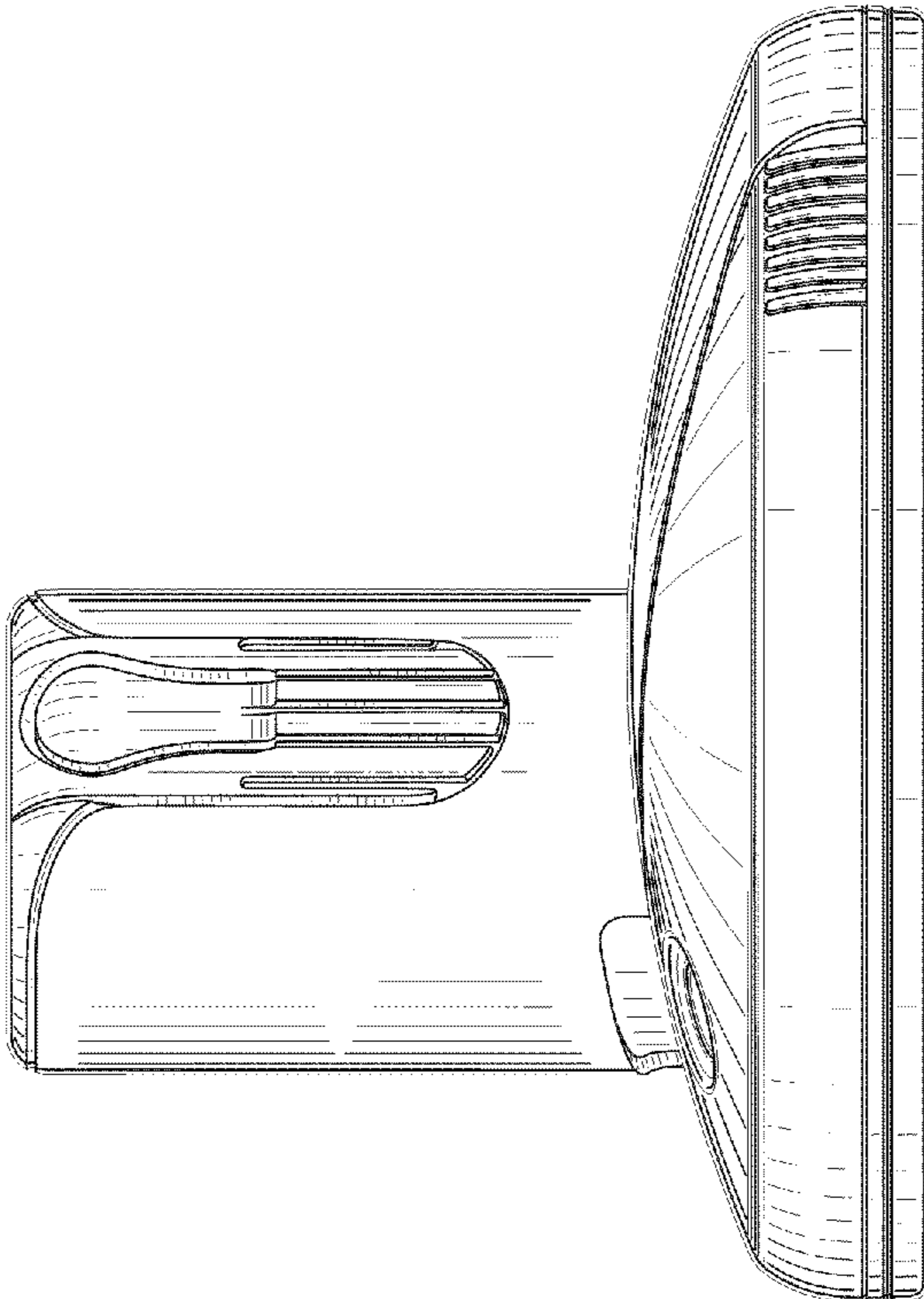


FIG. 3

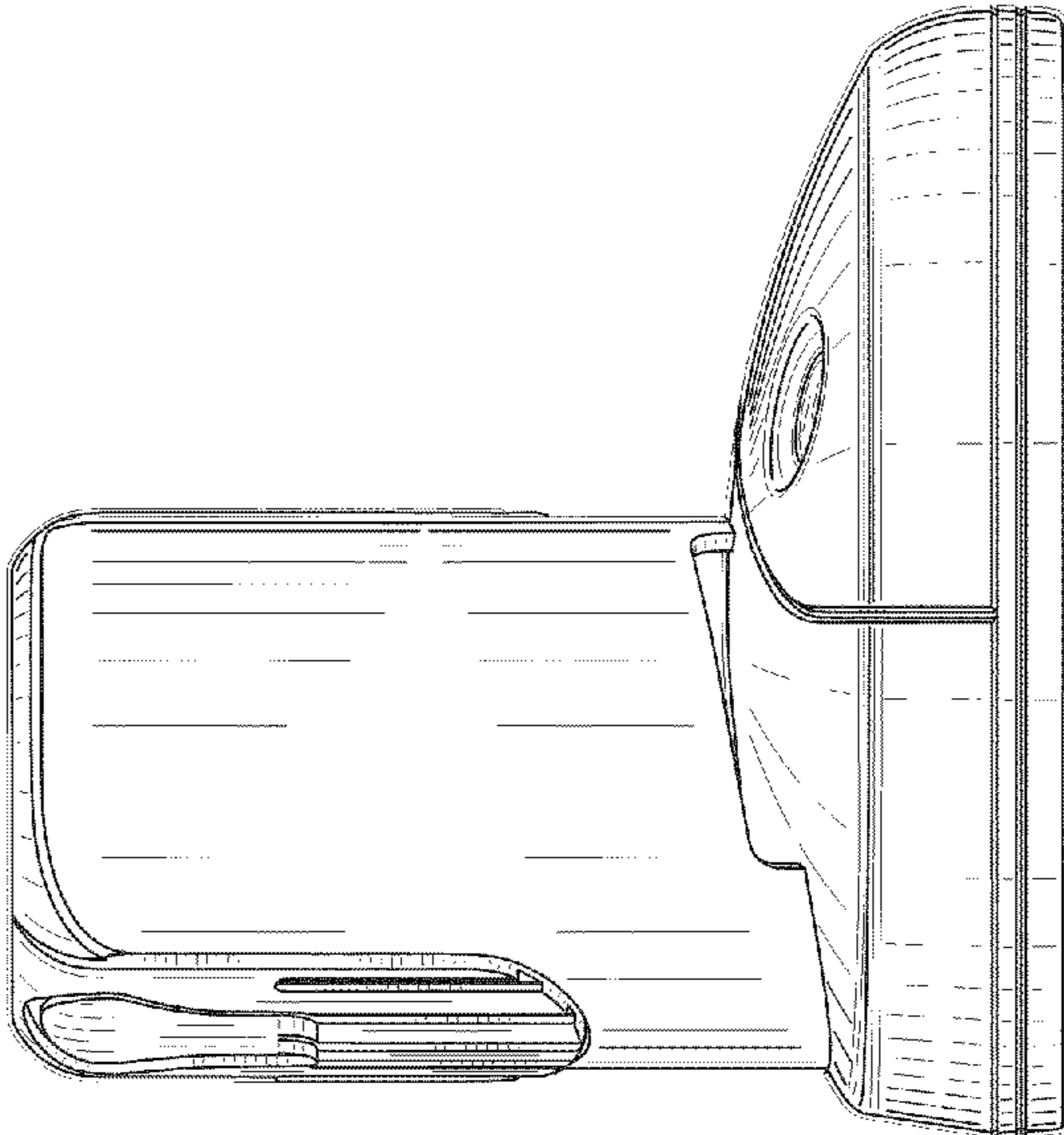


FIG. 2

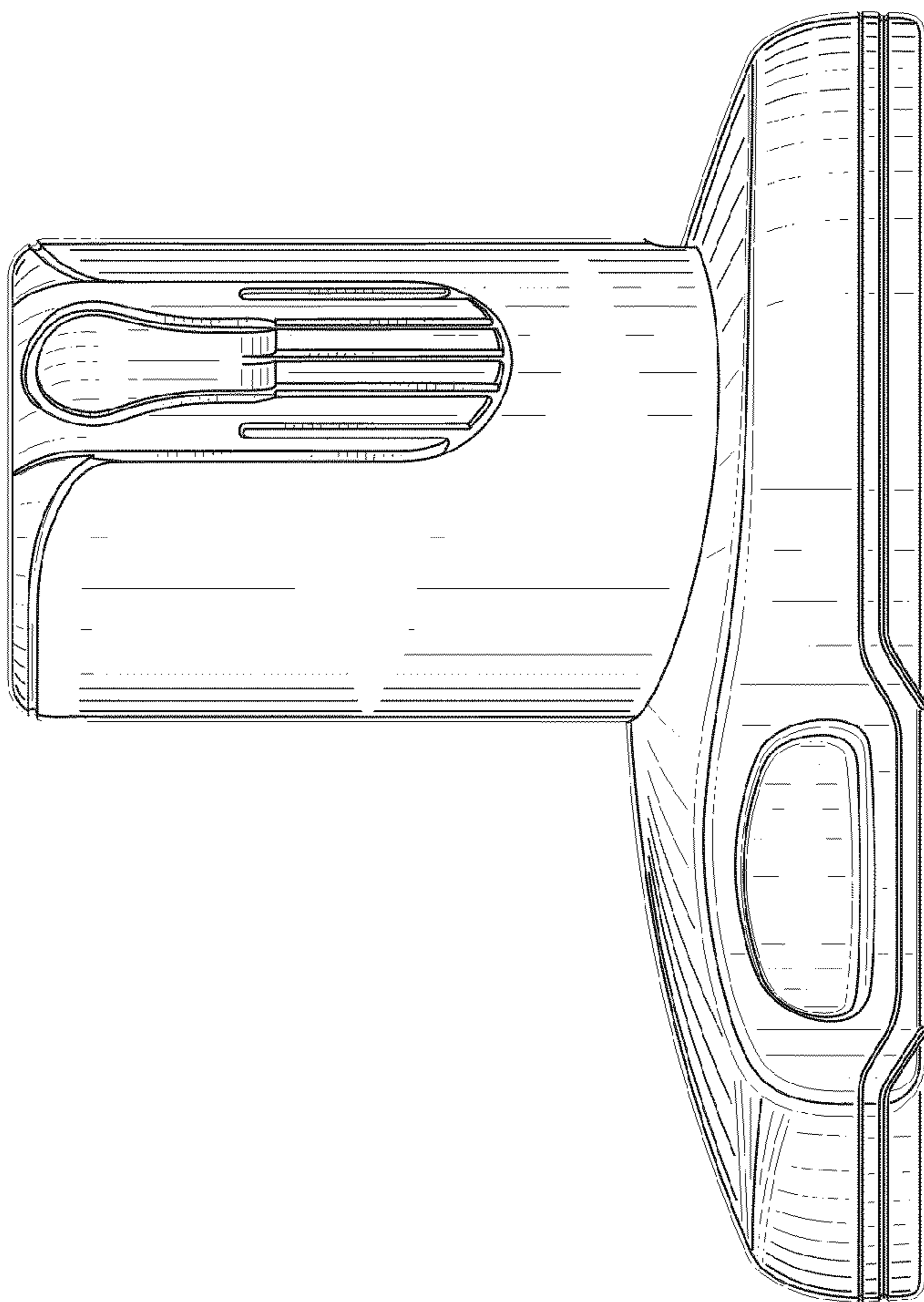


FIG. 5

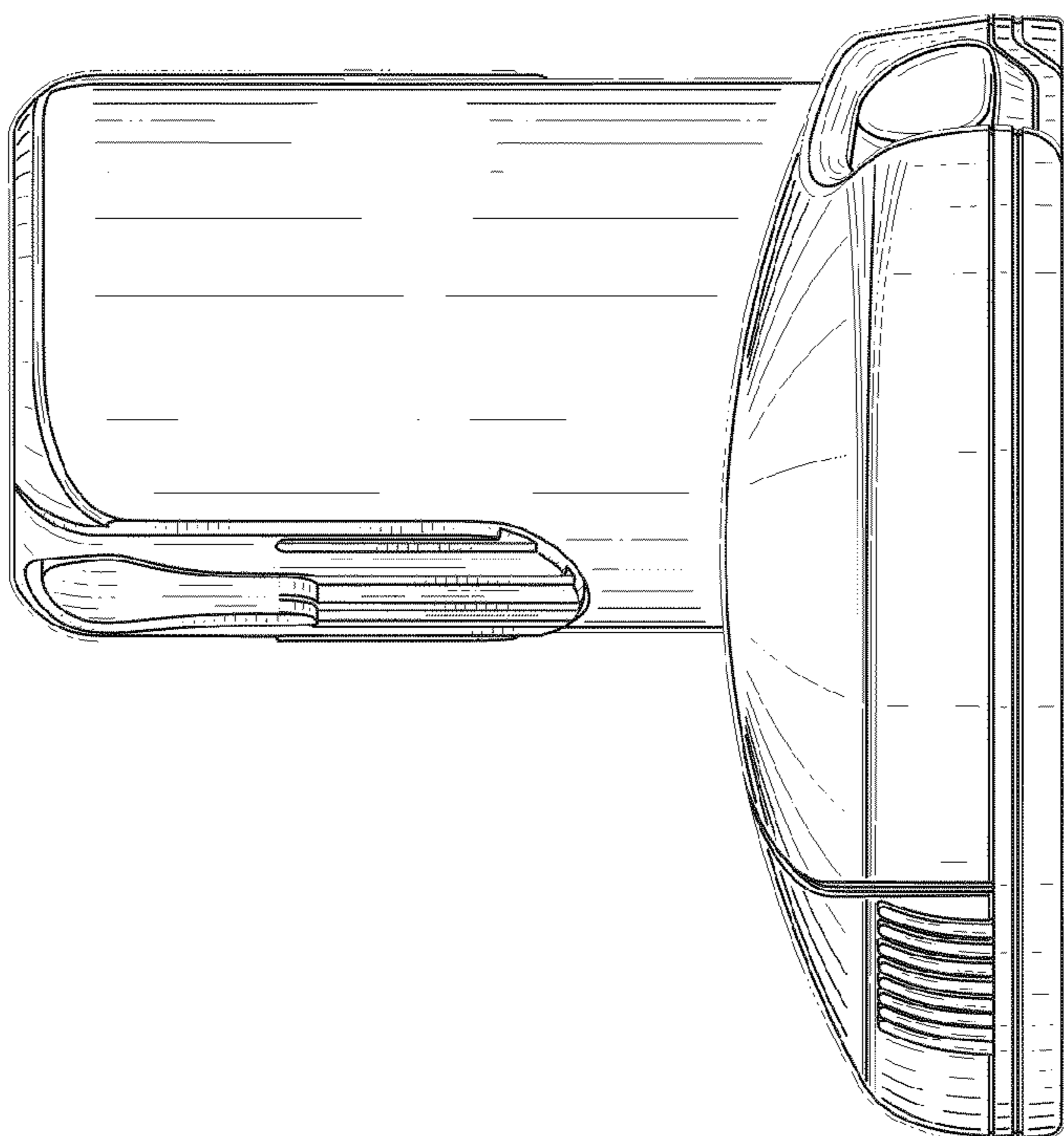


FIG. 4

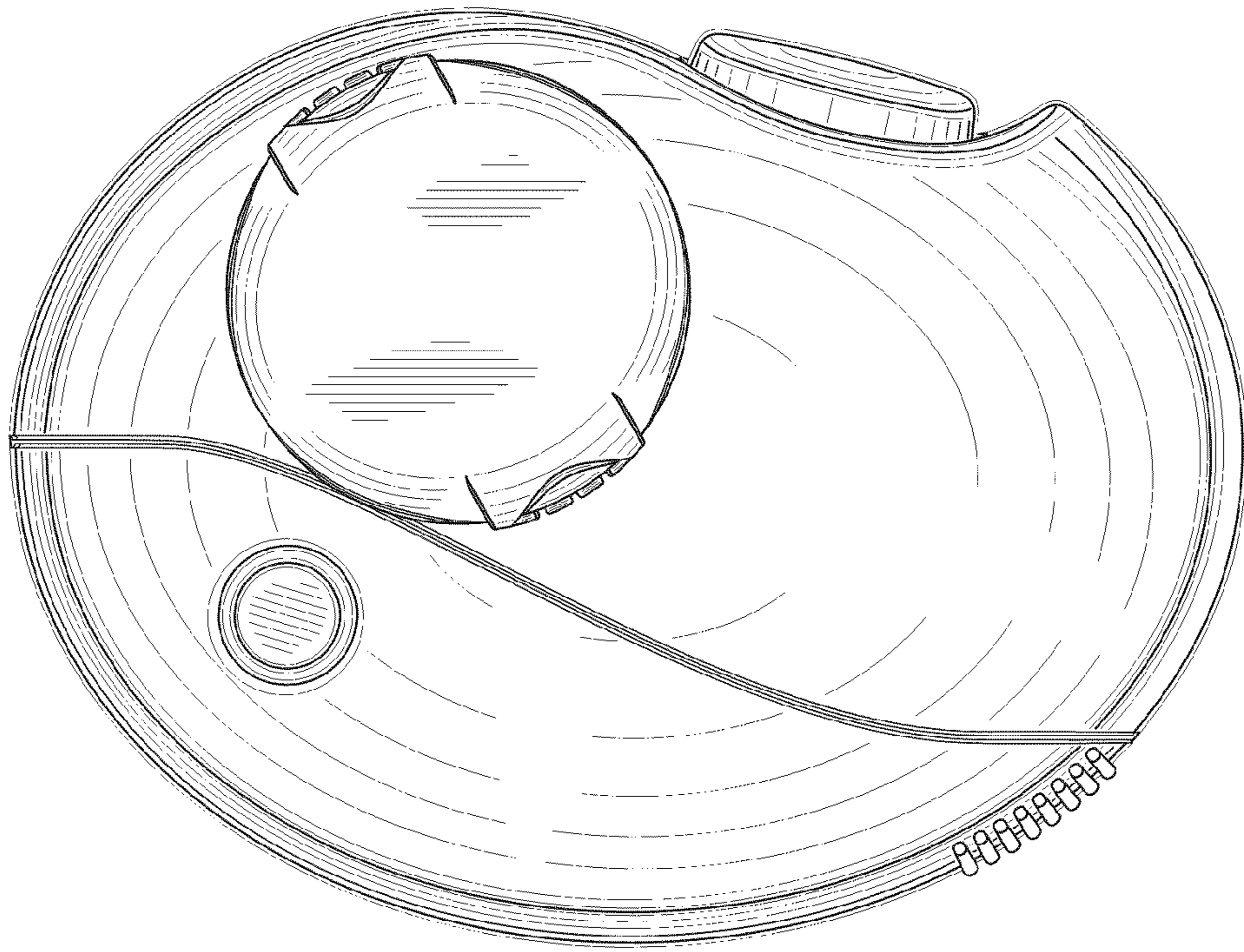


FIG. 6

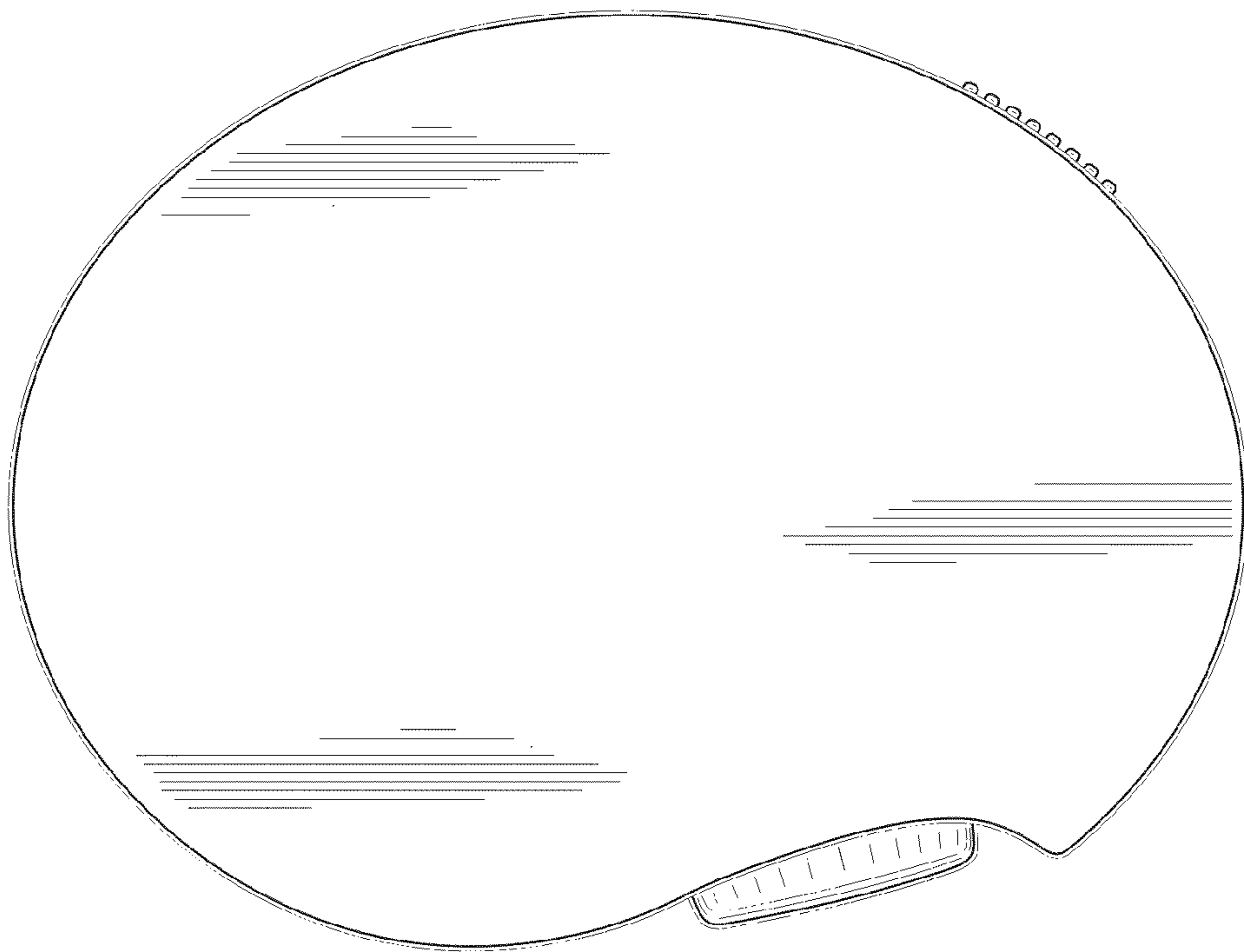


FIG. 7