



US00D652501S

(12) **United States Design Patent**  
**Roderique**

(10) **Patent No.:** **US D652,501 S**

(45) **Date of Patent:** **\*\* Jan. 17, 2012**

(54) **BLOWER ASSEMBLY**

(75) Inventor: **Glennon J. Roderique**, Overland Park, KS (US)

(73) Assignee: **Accessible Technologies, Inc.**, Lenexa, KS (US)

(\*\*) Term: **14 Years**

(21) Appl. No.: **29/360,933**

(22) Filed: **May 3, 2010**

(51) **LOC (9) Cl.** ..... **23-04**

(52) **U.S. Cl.** ..... **D23/386**

(58) **Field of Classification Search** ..... D23/385-395,  
D23/397, 370-373, 365, 351, 354, 399-403,  
D23/421, 499, 317, 416, 383, 335, 359, 366,  
D23/364; 454/309, 275-277, 284, 287-291,  
454/358-363; 52/302.1, 32.07; 55/337,  
55/467

See application file for complete search history.

(56) **References Cited**

**U.S. PATENT DOCUMENTS**

D349,956	S	*	8/1994	Mulqueen et al.	.....	D23/416
D393,702	S	*	4/1998	Haeck	.....	D23/351
D409,737	S	*	5/1999	Nilsson	.....	D23/383
6,958,083	B1	*	10/2005	Schmitz et al.	.....	55/337
D573,703	S	*	7/2008	Gosselin et al.	.....	D23/335
D574,940	S	*	8/2008	Quinn et al.	.....	D23/359
D598,526	S	*	8/2009	Pitchford et al.	.....	D23/317

D604,399	S	*	11/2009	Aregger et al.	.....	D23/317
D610,244	S	*	2/2010	Gabbara	.....	D23/370
D613,367	S	*	4/2010	Burt et al.	.....	D23/366
7,695,537	B2	*	4/2010	Cheng	.....	55/467
D618,777	S	*	6/2010	Kritsky	.....	D23/351
D632,375	S	*	2/2011	Curran et al.	.....	D23/364

\* cited by examiner

*Primary Examiner* — David Muller

(74) *Attorney, Agent, or Firm* — Erickson Kernell, Derousseau & Kleypas, LLC

(57) **CLAIM**

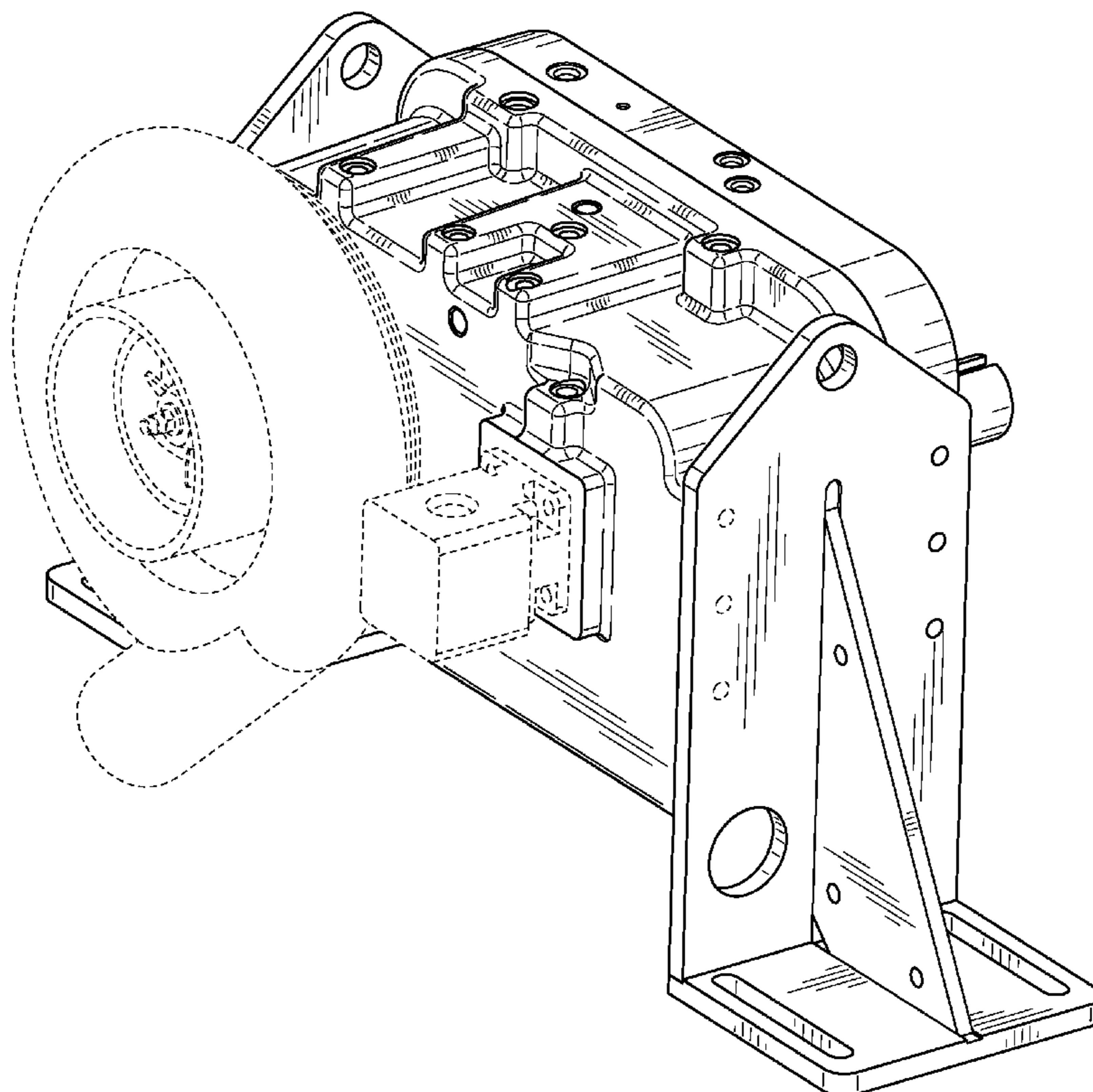
The ornamental design for a blower assembly, as shown and described.

**DESCRIPTION**

FIG. 1 is a perspective view of a blower assembly according to the present invention;  
FIG. 2 is a rear elevational view thereof;  
FIG. 3 is a front elevational view thereof;  
FIG. 4 is a left side elevational view thereof;  
FIG. 5 is a right side elevational view thereof;  
FIG. 6 is top plan view thereof; and,  
FIG. 7 is a bottom plan view thereof.

The broken lines in FIGS. 1-7 are included for the purpose of illustrating portions of the blower assembly that form no part of the claimed design.

**1 Claim, 7 Drawing Sheets**



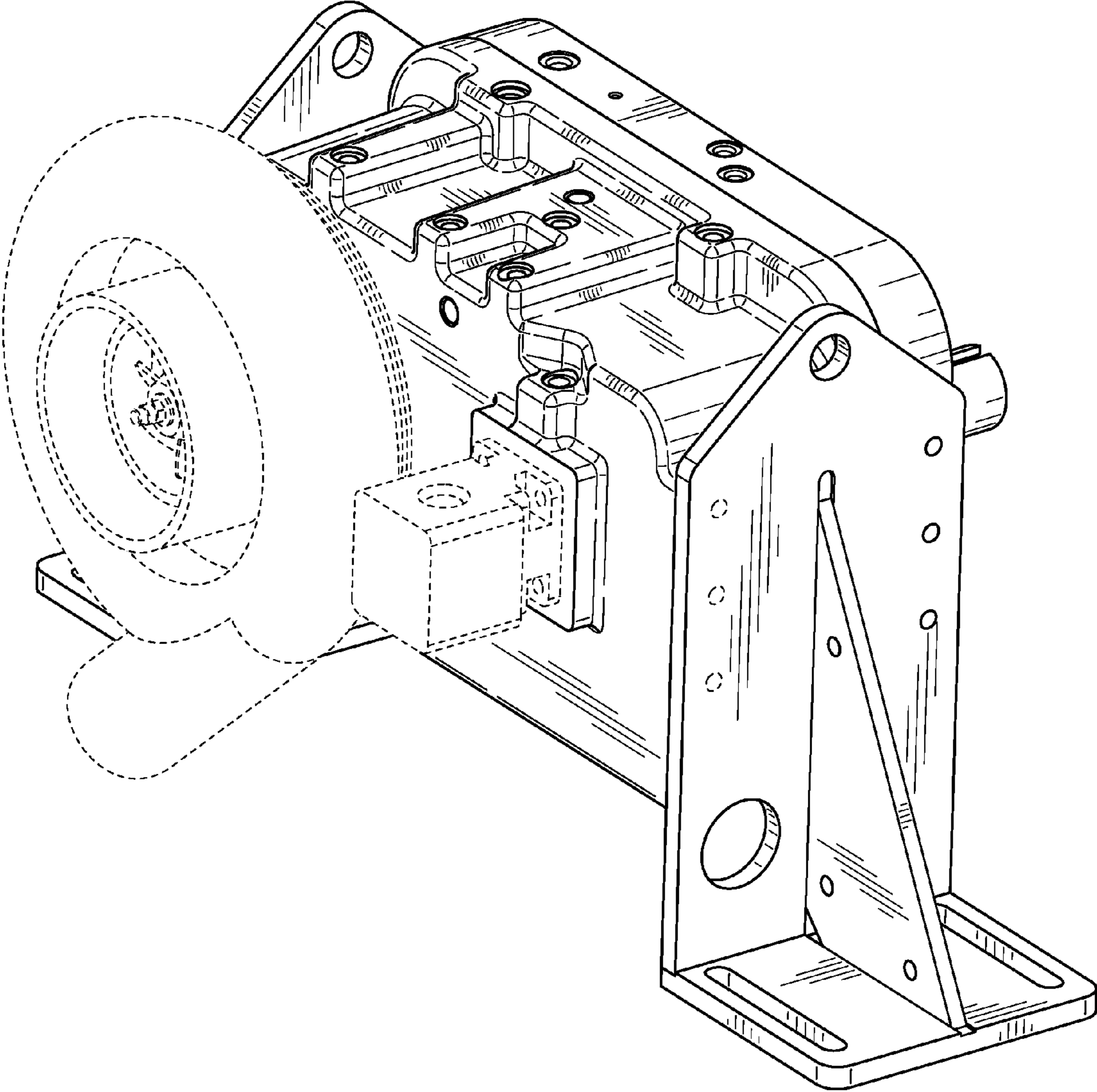


FIG. 1

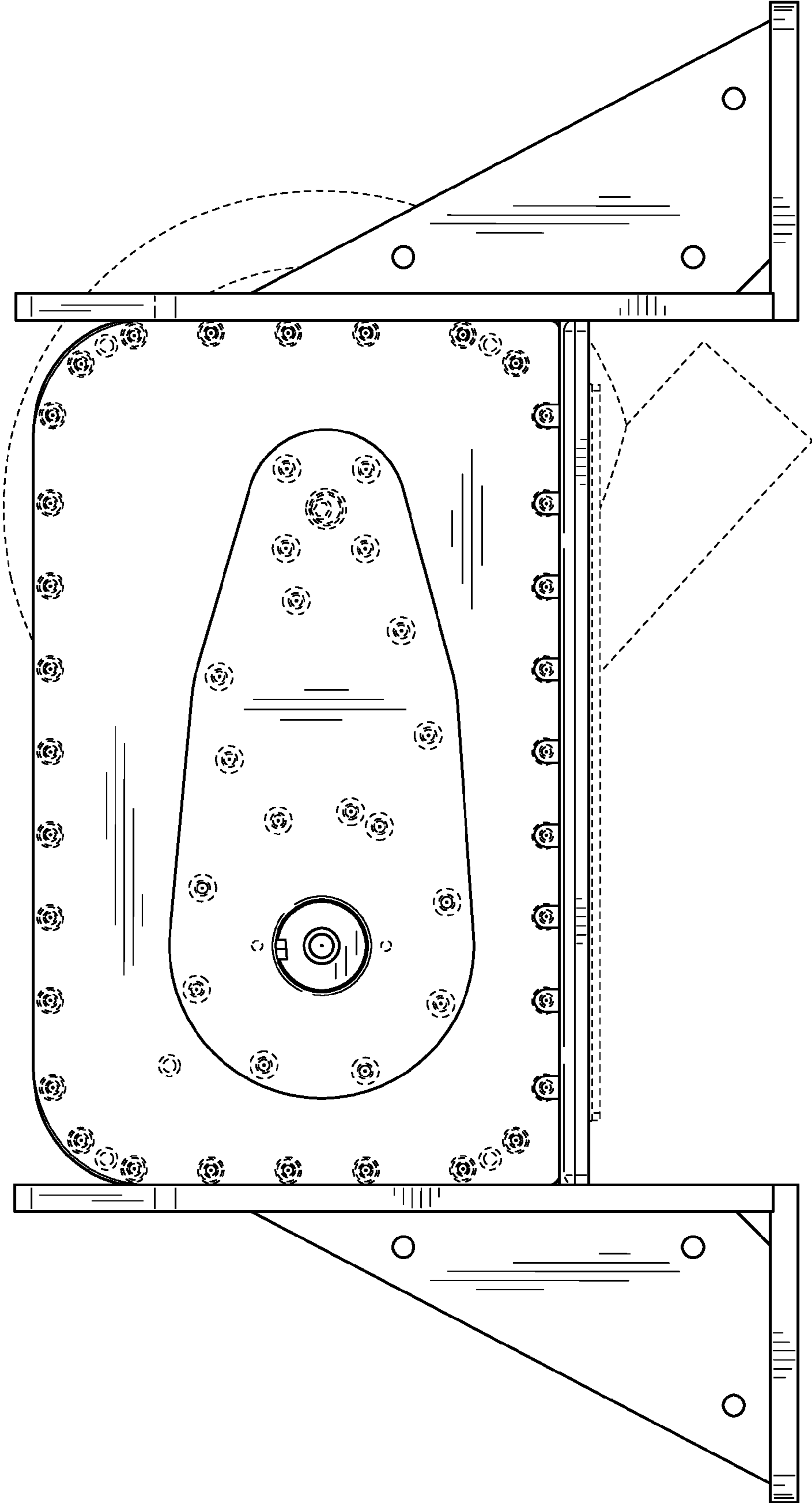


FIG. 2

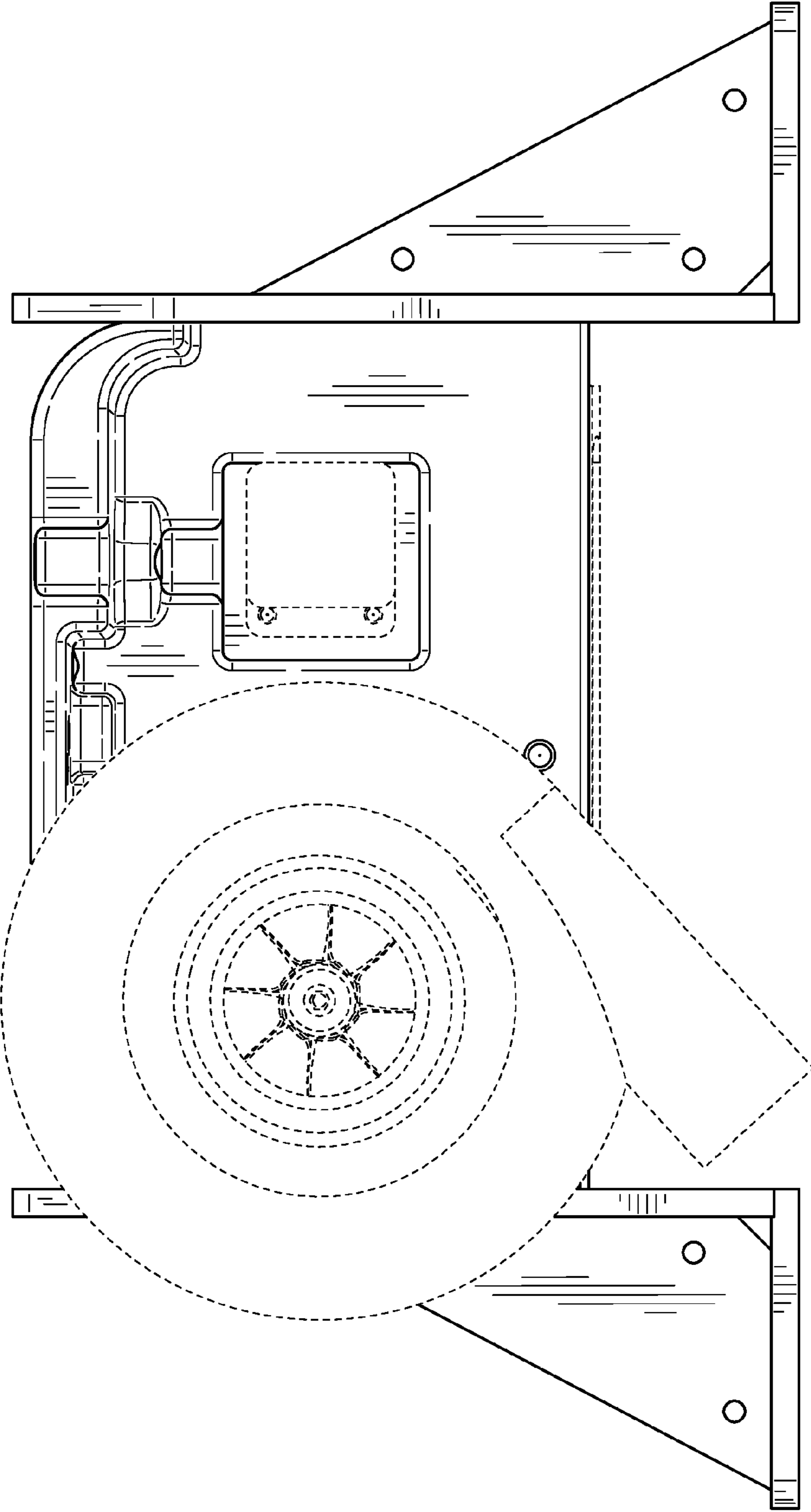


FIG. 3

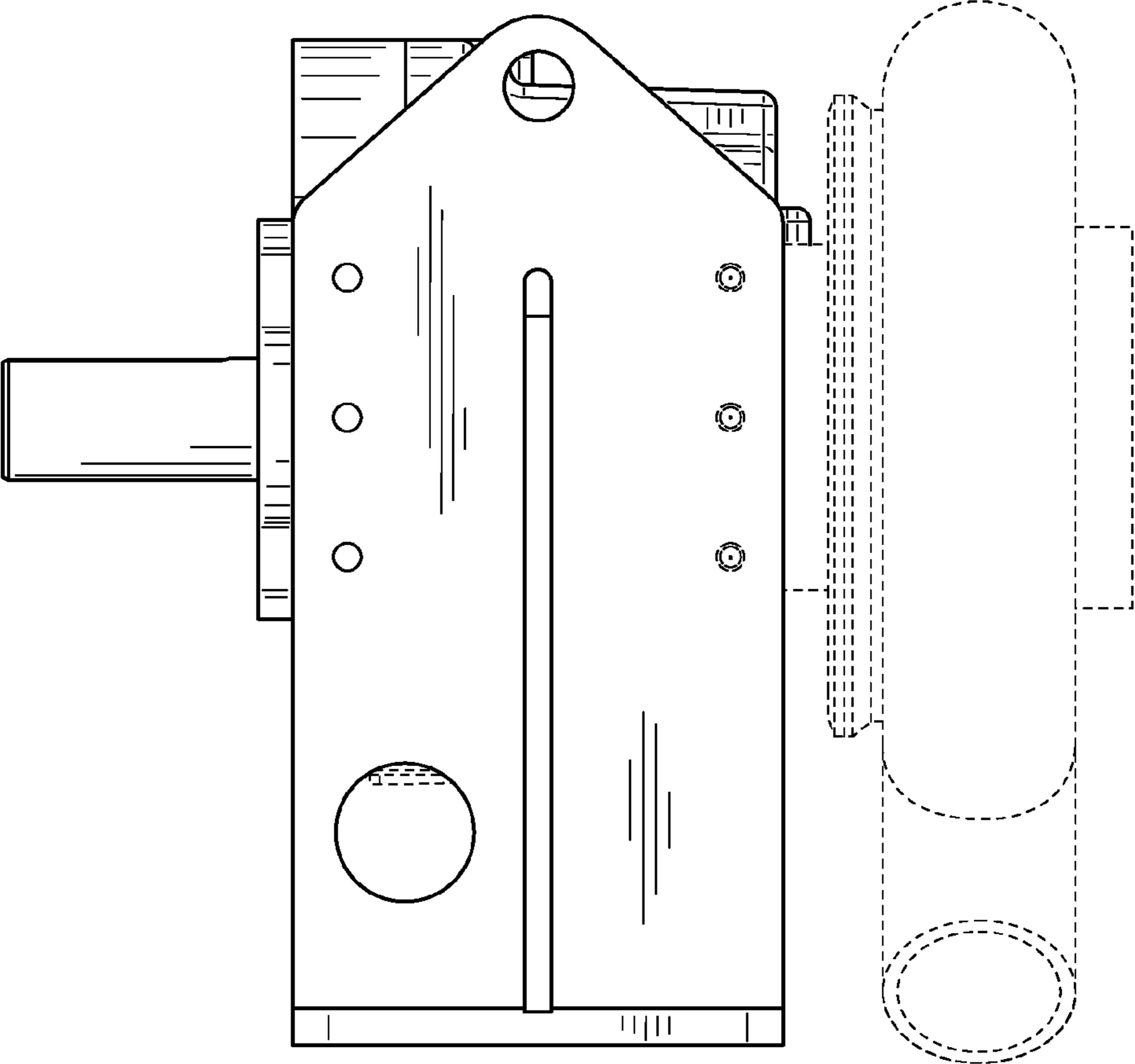


FIG. 4

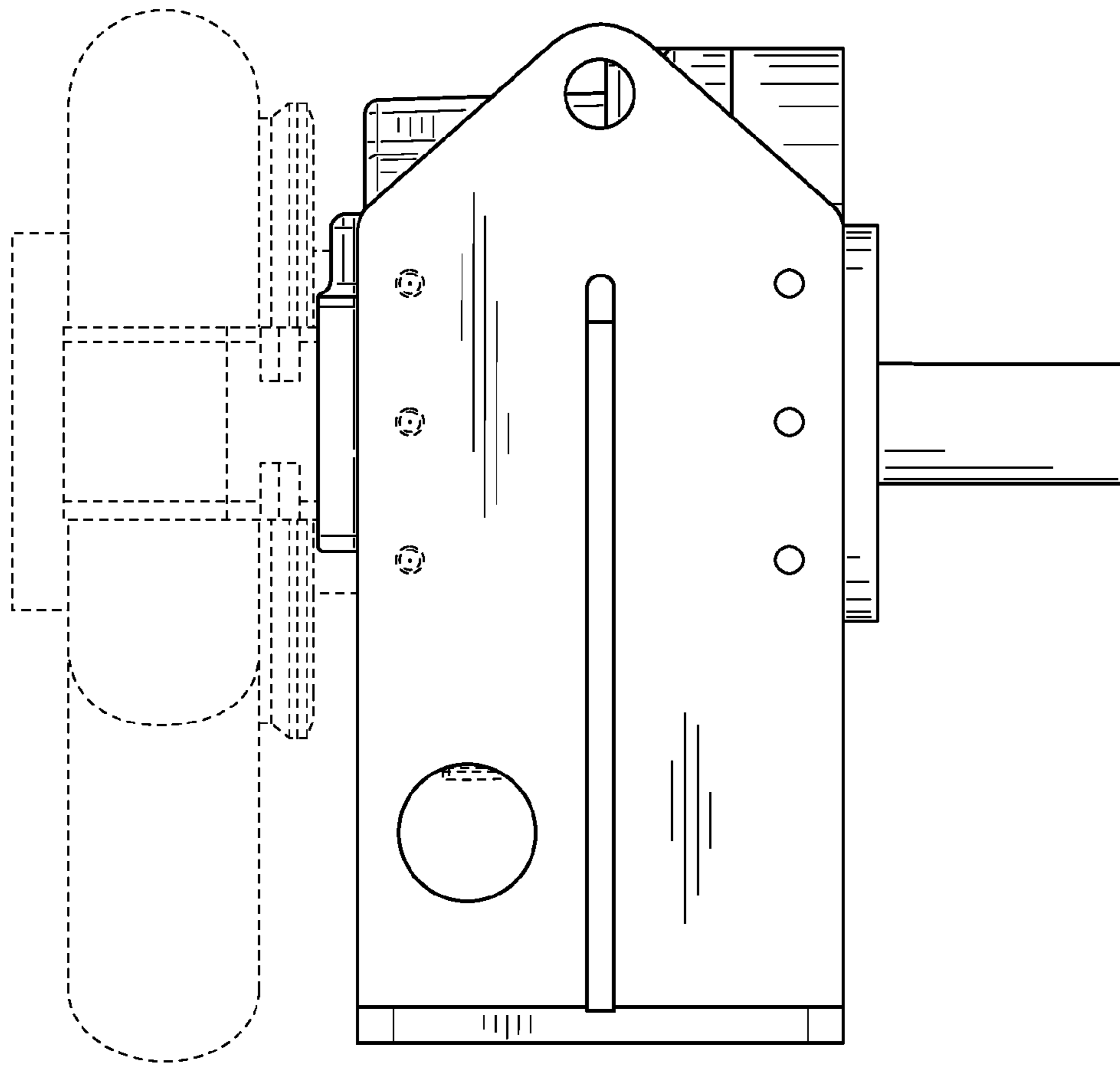


FIG. 5

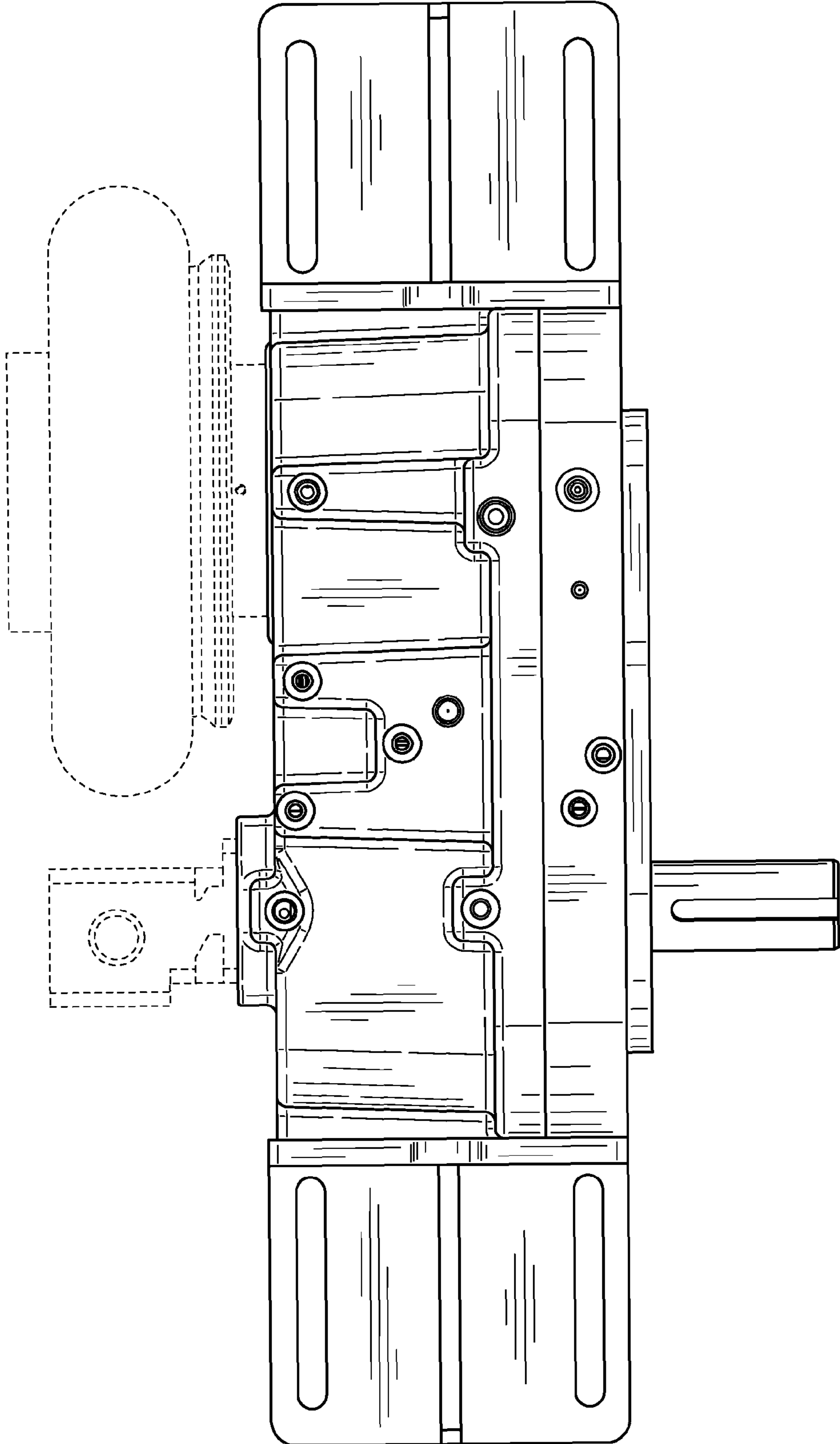


FIG. 6

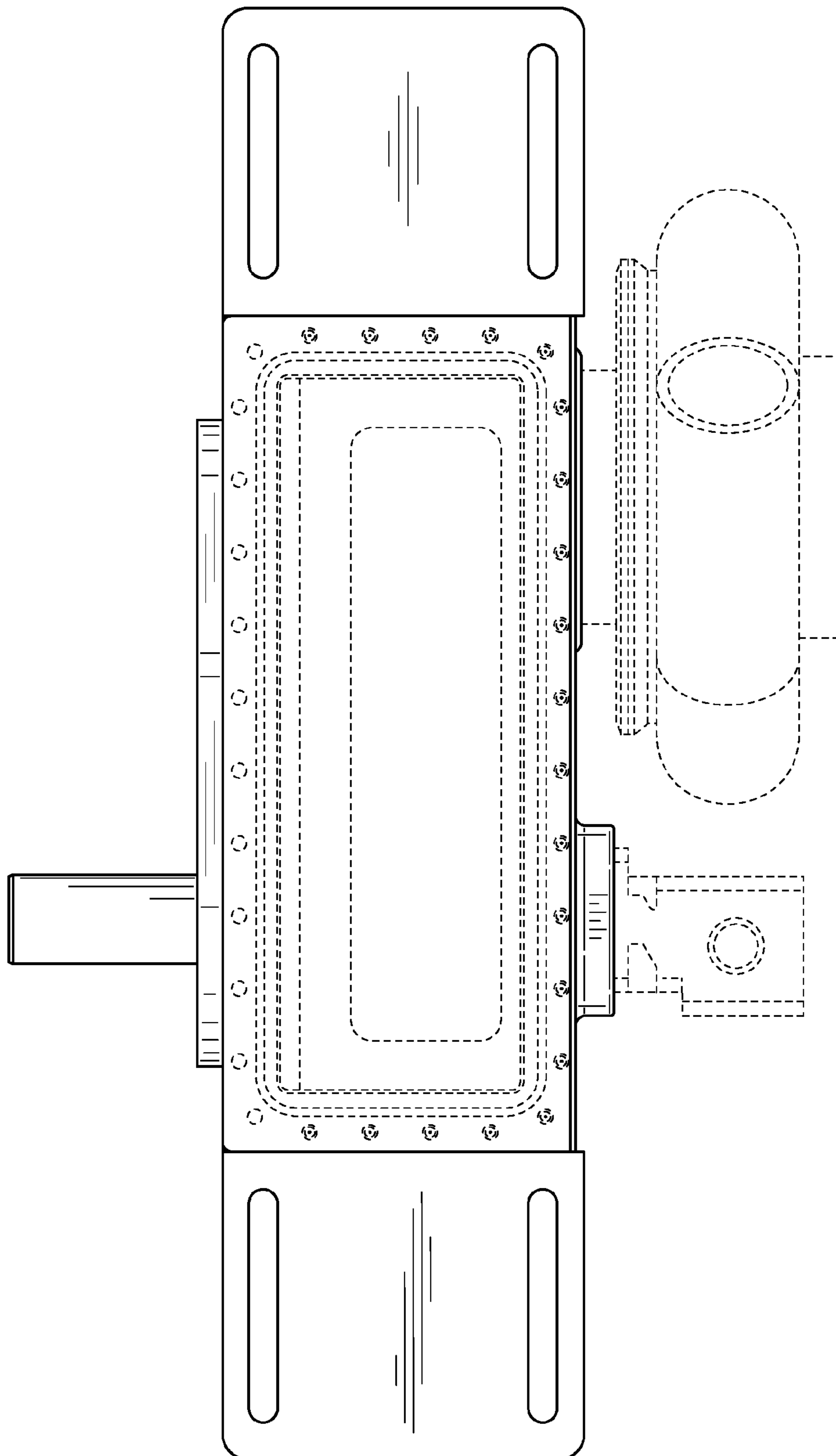


FIG. 7