



US00D652495S

(12) **United States Design Patent**
Smith et al.

(10) **Patent No.:** **US D652,495 S**
(45) **Date of Patent:** **** Jan. 17, 2012**

(54) **RADIANT HEATER**

(75) Inventors: **Scott David Smith**, North Ryde (AU);
Mark Stewart Michalowsky, Vaucluse (AU)

(73) Assignee: **Bromic Heating Pty Limited**, Sydney (AU)

(**) Term: **14 Years**

(21) Appl. No.: **29/399,236**

(22) Filed: **Aug. 10, 2011**

Related U.S. Application Data

(62) Division of application No. 29/356,424, filed on Feb. 25, 2010, now Pat. No. Des. 645,128.

(51) **LOC (9) Cl.** **23-01**

(52) **U.S. Cl.** **D23/342**

(58) **Field of Classification Search** D23/317,
D23/314, 332, 333, 334, 335, 337, 342, 351,
D23/355, 378, 370, 381, 364, 336, 341, 330;
416/244 R, 247 R, 53.1-53.3; 392/365, 367
See application file for complete search history.

(56) **References Cited**

U.S. PATENT DOCUMENTS

2,495,513 A * 1/1950 Doyle 338/299
(Continued)

Primary Examiner — T. Chase Nelson
Assistant Examiner — Ania Aman

(74) *Attorney, Agent, or Firm* — The Maxham Firm

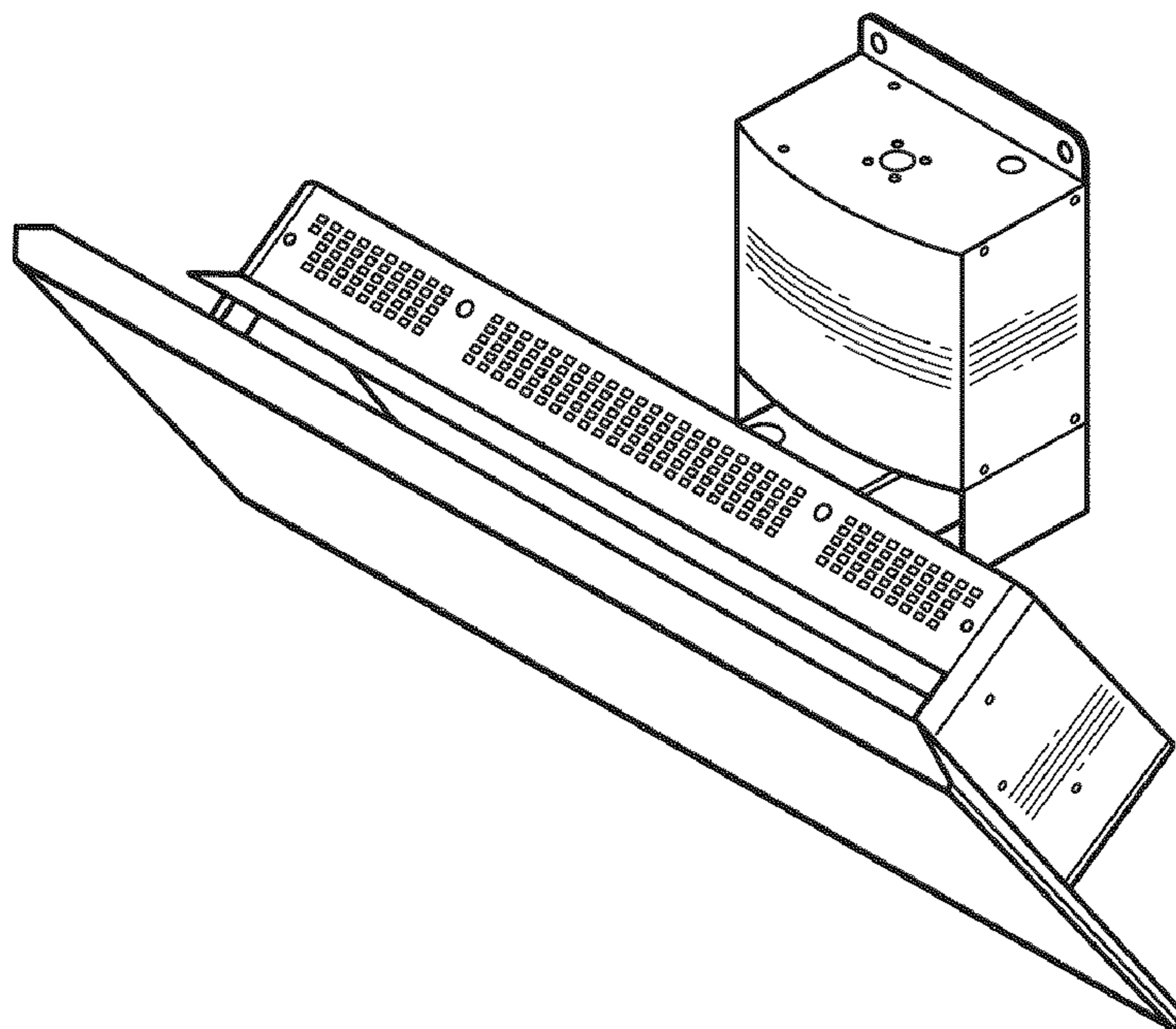
(57) **CLAIM**

The ornamental design for a radiant heater, as shown and described.

DESCRIPTION

FIG. 1 is an isometric view of a first embodiment of the radiant heater according to the invention, showing the front glass as flat with a straight glass retainer;
FIG. 2 is a left end view of the radiant heater in FIG. 1, the right end view being a mirror image thereof;
FIG. 3 is a front face view of the heater element of FIG. 1;
FIG. 4 is a top view of the radiant heater of FIG. 1;
FIG. 5 is a bottom view of the radiant heater of FIG. 1;
FIG. 6 is a front elevation view of the radiant heater of FIG. 1;
FIG. 7 is an isometric view of a second embodiment of the radiant heater according to the invention, showing the front glass as curved (top to bottom) with a straight glass retainer;
FIG. 8 is a left end view of the radiant heater in FIG. 7, the right end view being a mirror image thereof;
FIG. 9 is a front face view of the heater element of FIG. 7;
FIG. 10 is a top view of the radiant heater of FIG. 7;
FIG. 11 is a bottom view of the radiant heater of FIG. 7;
FIG. 12 is a front elevation view of the radiant heater of FIG. 7;
FIG. 13 is an isometric view of a third embodiment of the radiant heater according to the invention, showing the front glass as curved (left to right) with a straight glass retainer;
FIG. 14 is a left end view of the radiant heater in FIG. 13, the right end view being a mirror image thereof;
FIG. 15 is a front face view of the heater element of FIG. 13;
FIG. 16 is a top view of the radiant heater of FIG. 13;
FIG. 17 is a bottom view of the radiant heater of FIG. 13; and,
FIG. 18 is a front elevation view of the radiant heater of FIG. 13.

1 Claim, 6 Drawing Sheets



US D652,495 S

Page 2

U.S. PATENT DOCUMENTS

D195,878 S	8/1963	Zimmerman	D558,865 S	1/2008	Yoo et al.
D225,639 S	12/1972	Smith	D619,231 S	7/2010	Yeung
D282,202 S	1/1986	Ellersick	D627,450 S	11/2010	Hall, Jr. et al.
D379,650 S	6/1997	Smith et al.	D627,451 S	11/2010	Hall, Jr. et al.
6,334,439 B1	1/2002	Specht et al.	D627,868 S	11/2010	Hall, Jr. et al.
7,013,080 B1	3/2006	Kaplanis et al.	2004/0026400 A1	2/2004	Ptak
D534,627 S	1/2007	Stokes	2006/0198084 A1	9/2006	Hall, Jr. et al.
D545,420 S	6/2007	Jacobsen	2008/0152329 A1	6/2008	Saunders et al.
D551,327 S	9/2007	Lamanna			

* cited by examiner

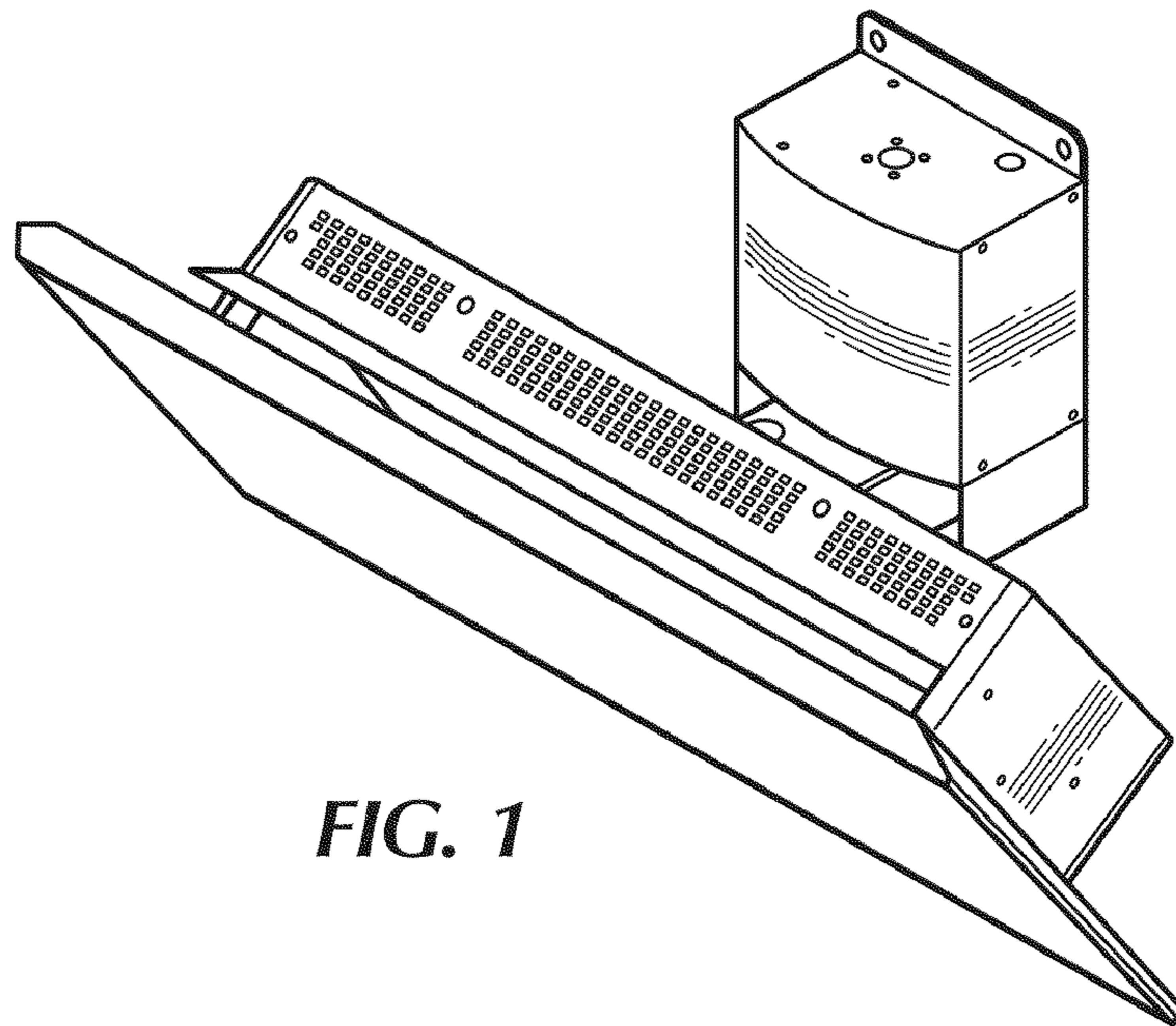


FIG. 1

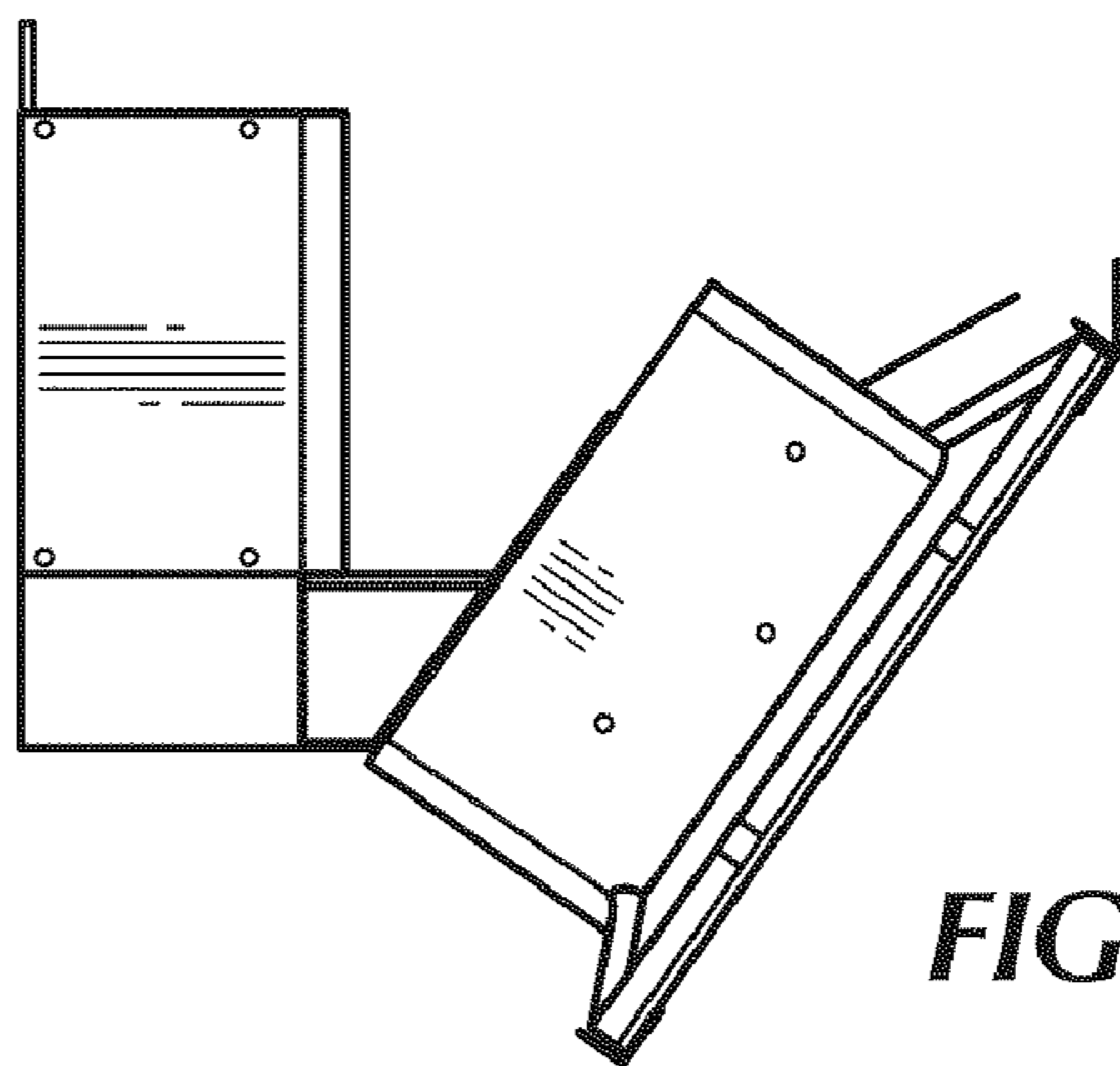


FIG. 2

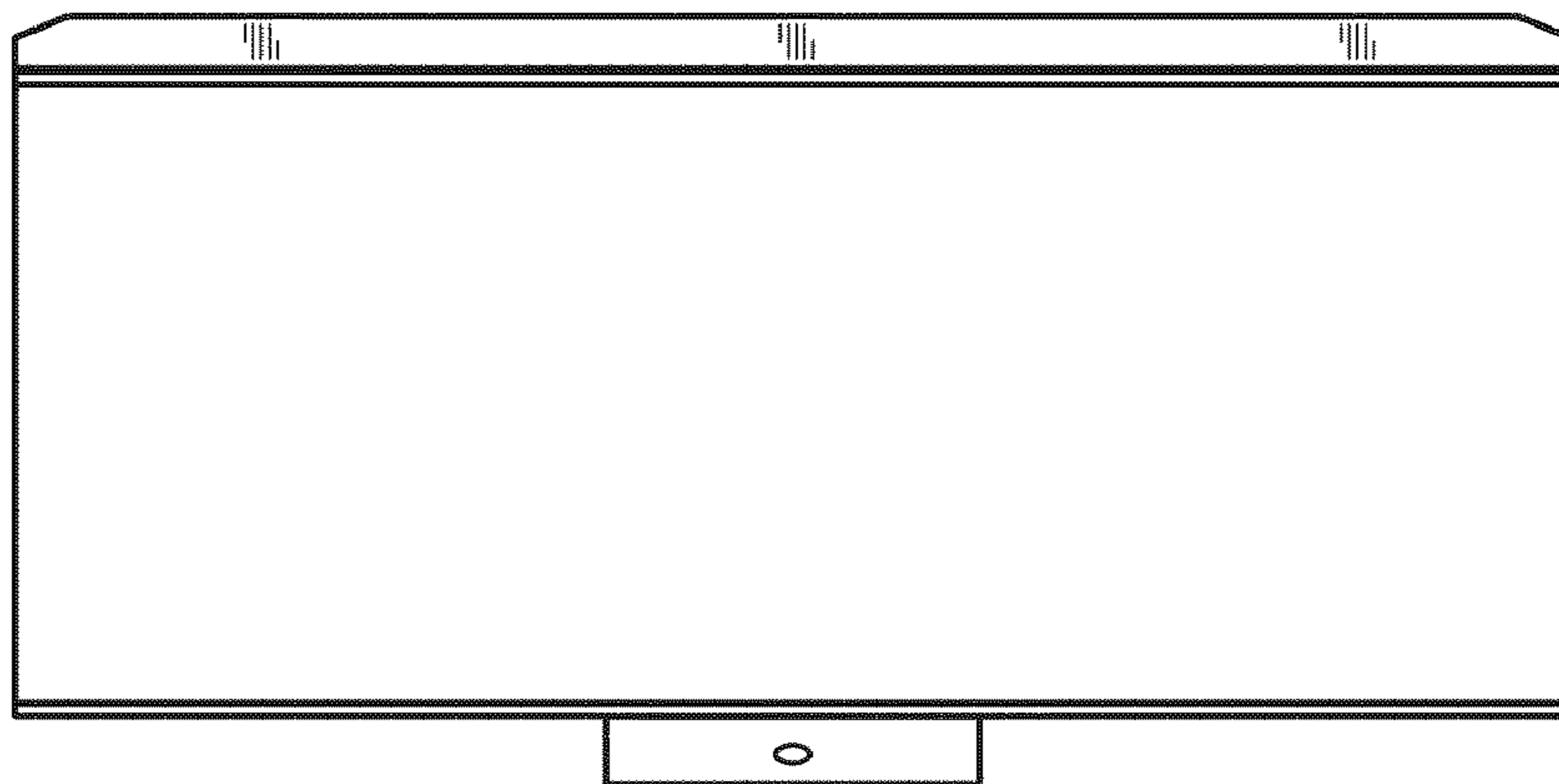


FIG. 3

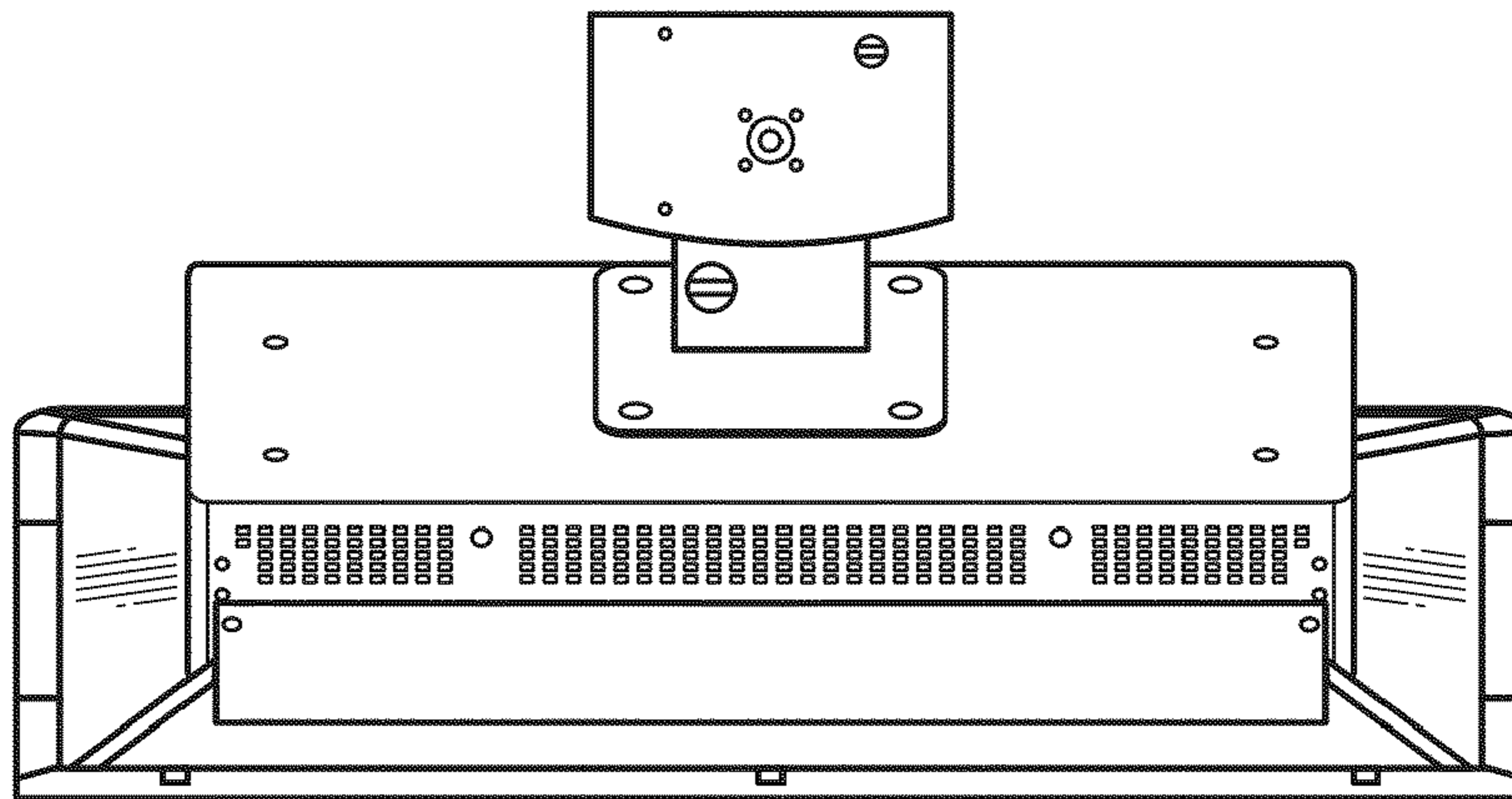


FIG. 4

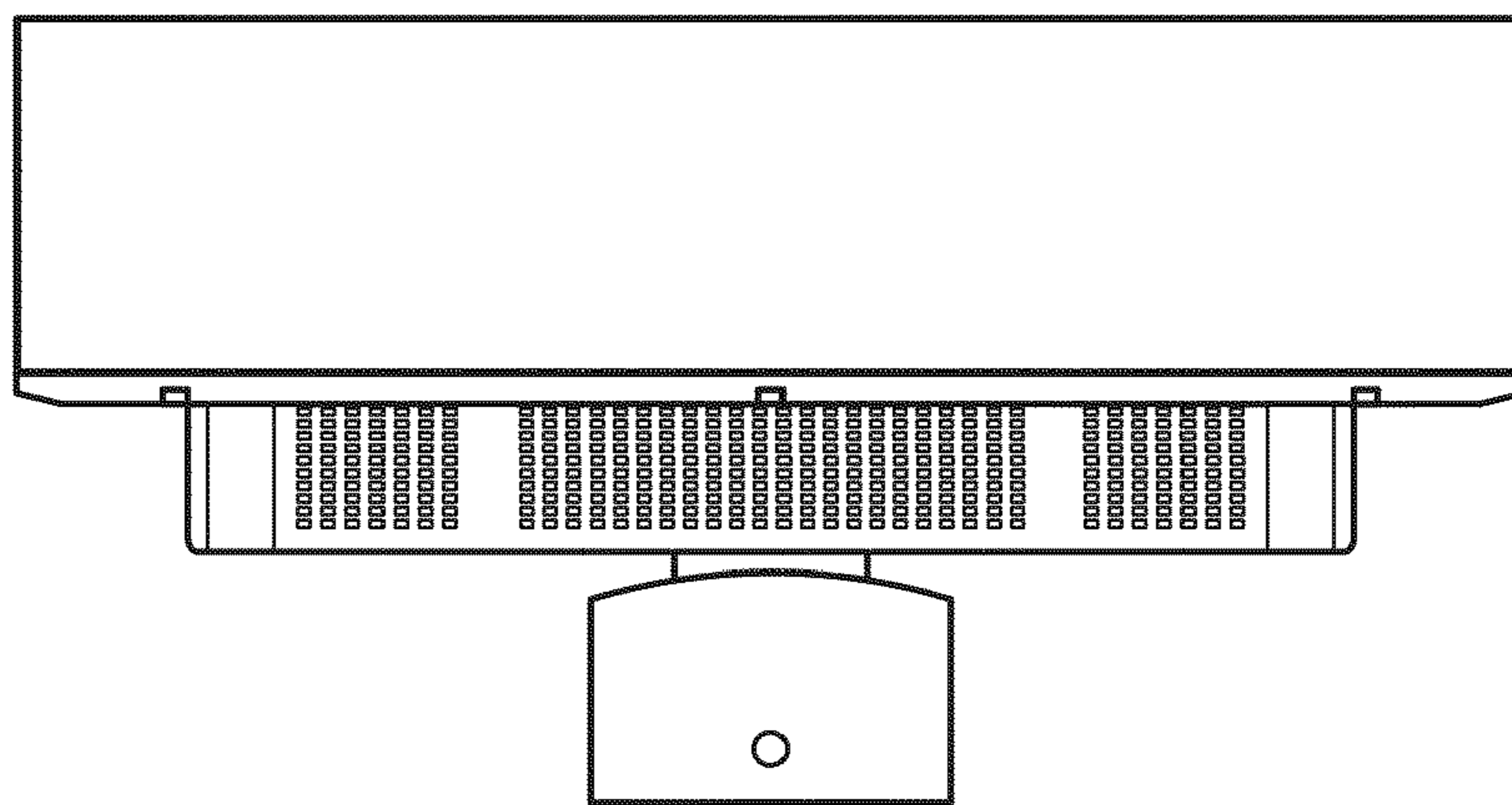


FIG. 5

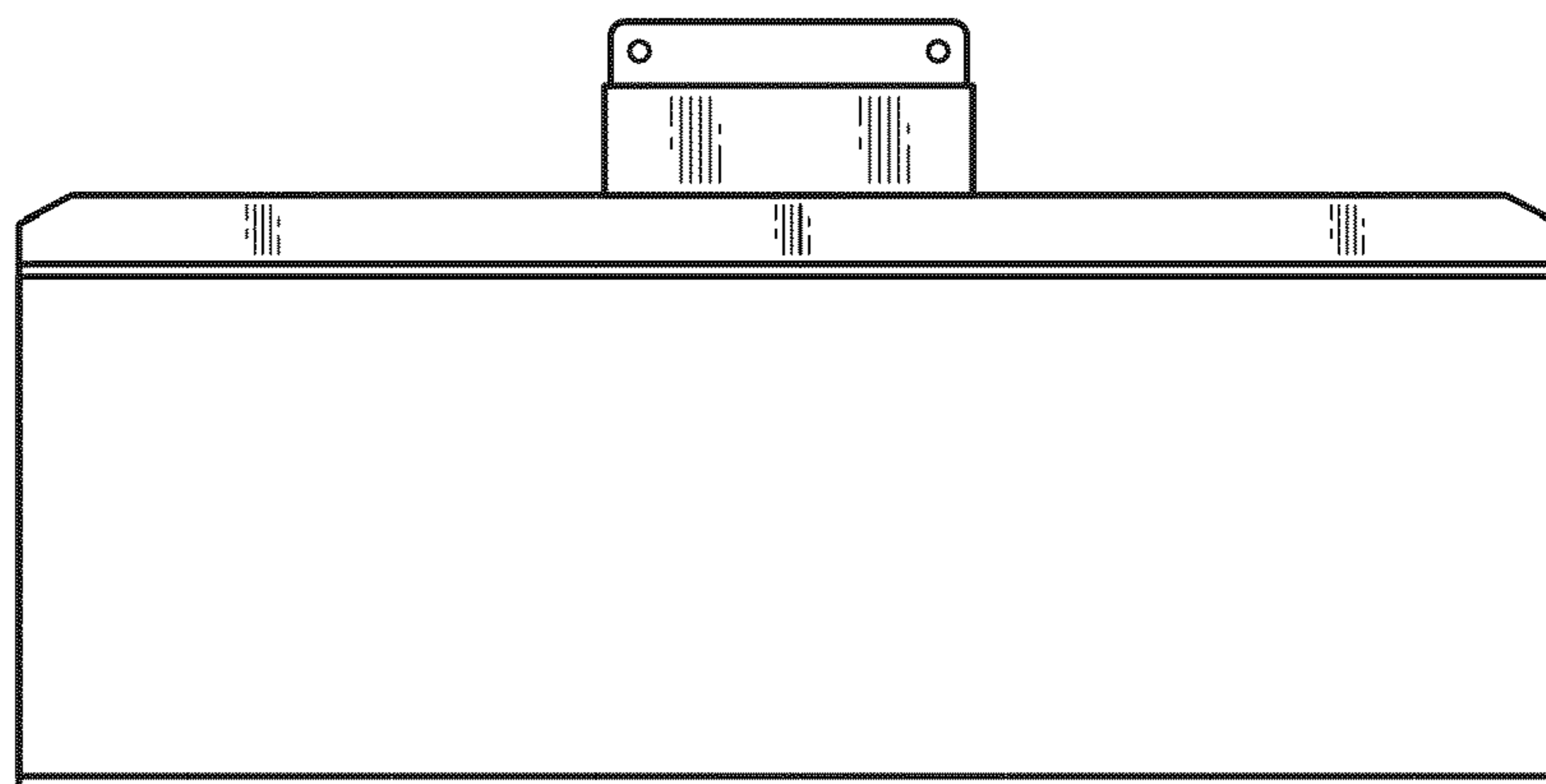


FIG. 6

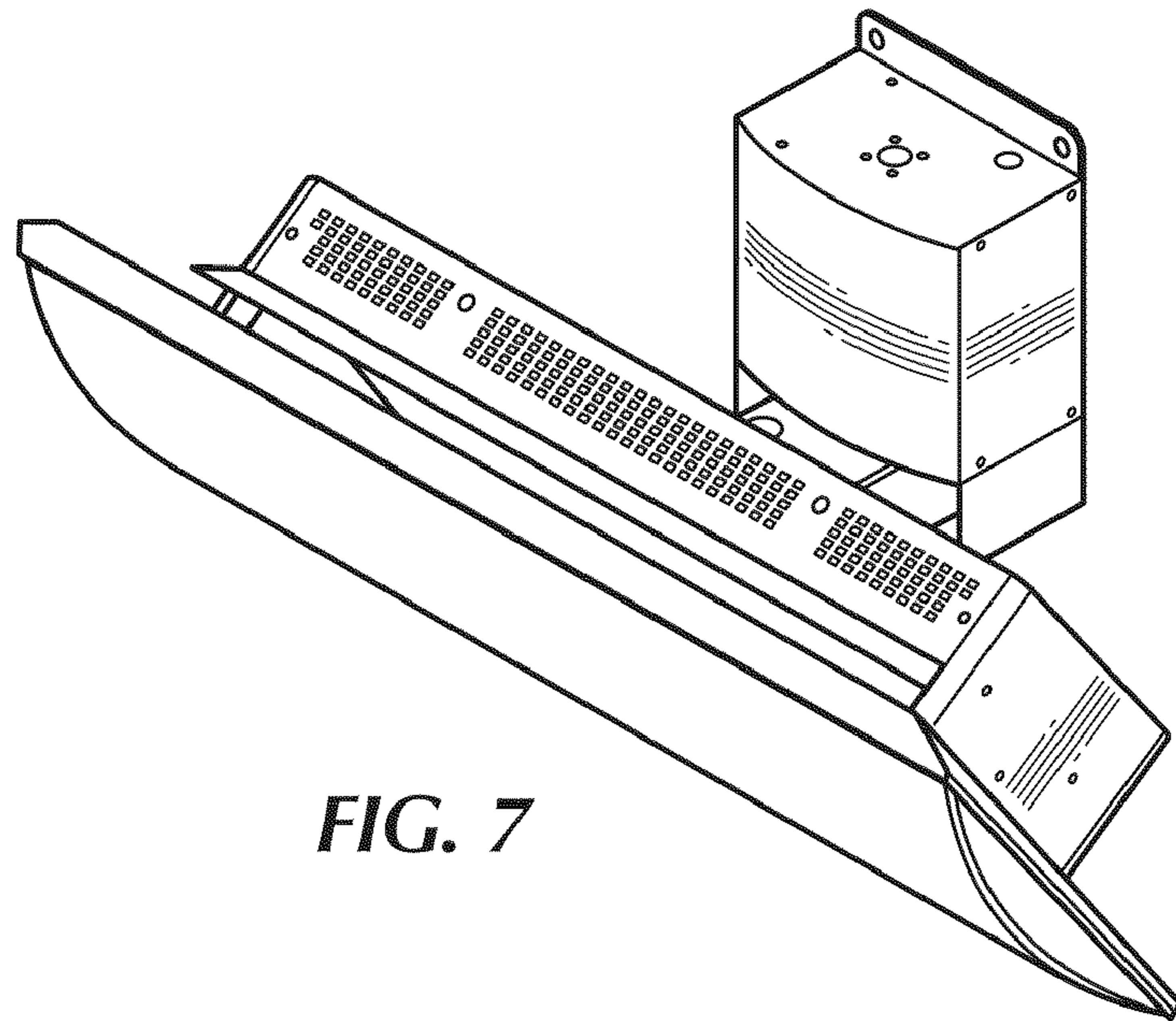


FIG. 7

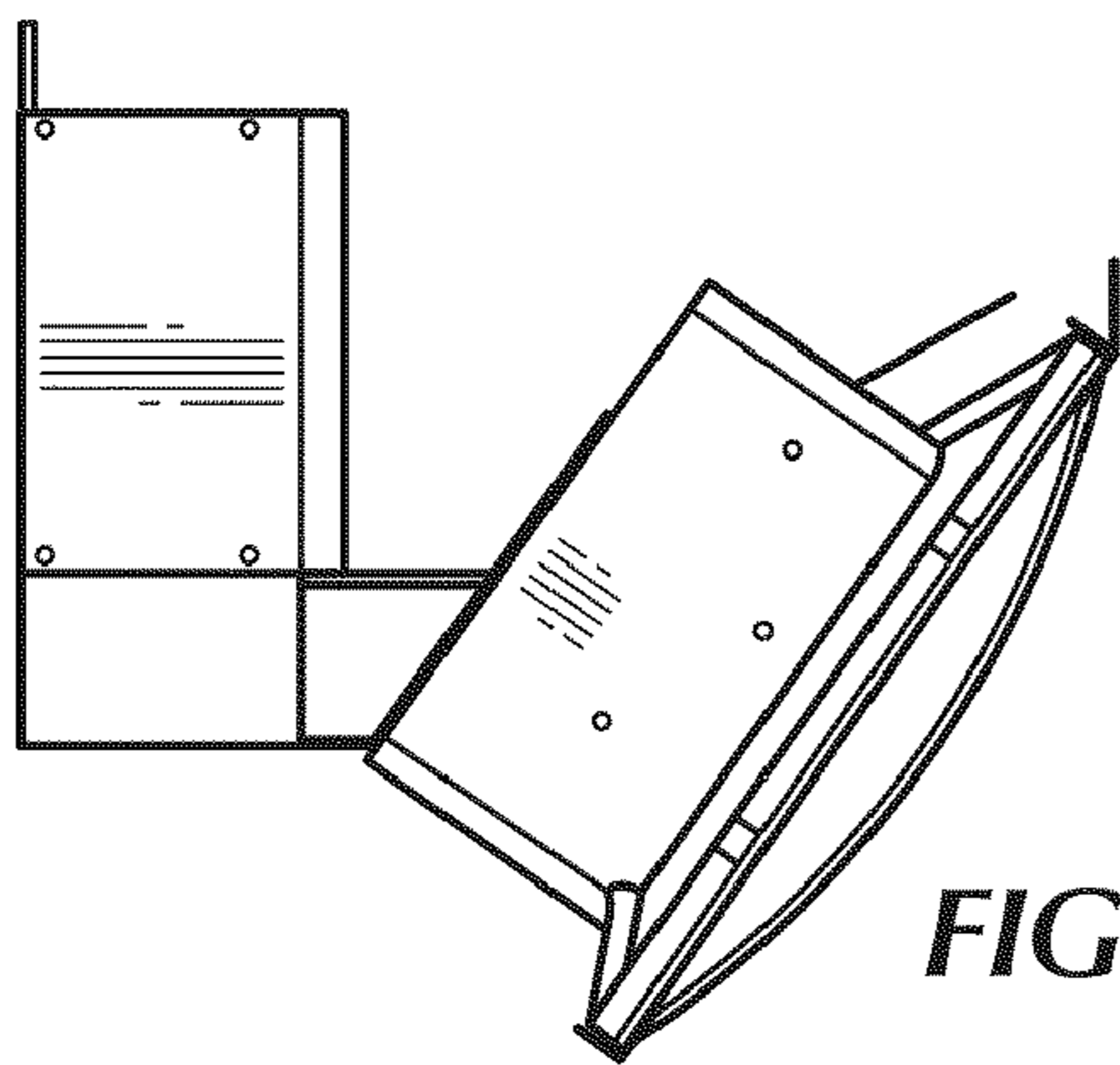


FIG. 8

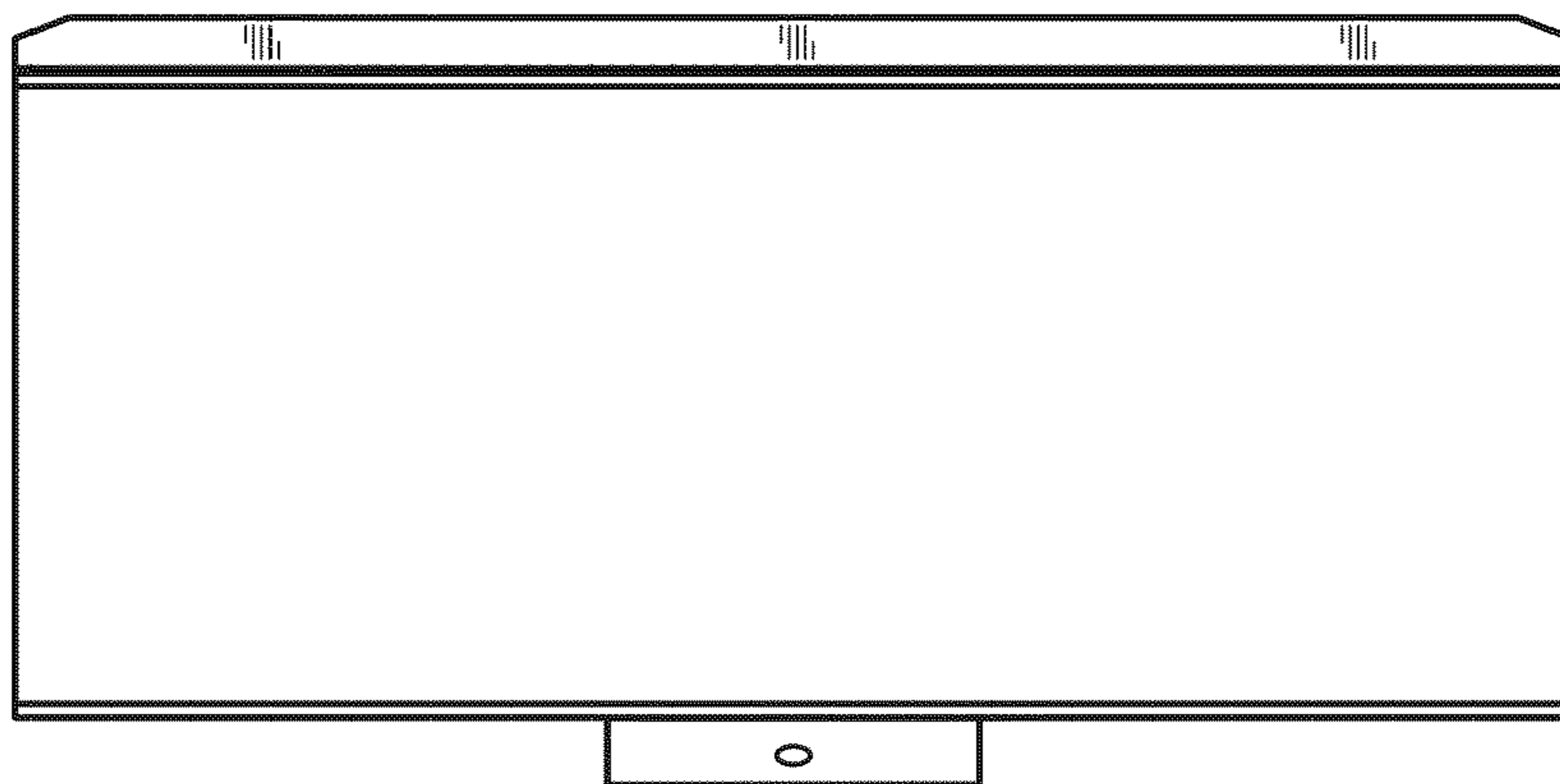


FIG. 9

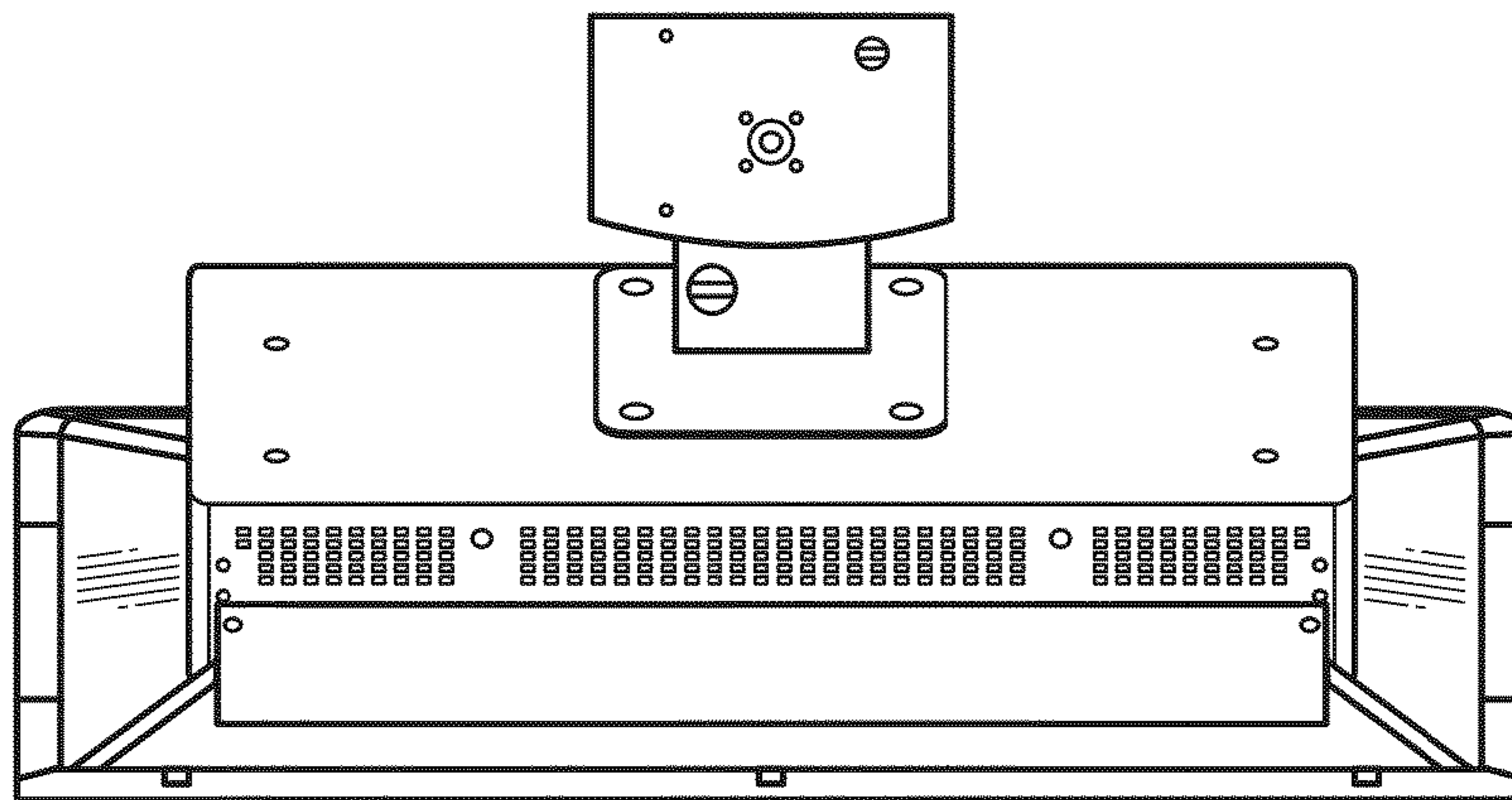


FIG. 10

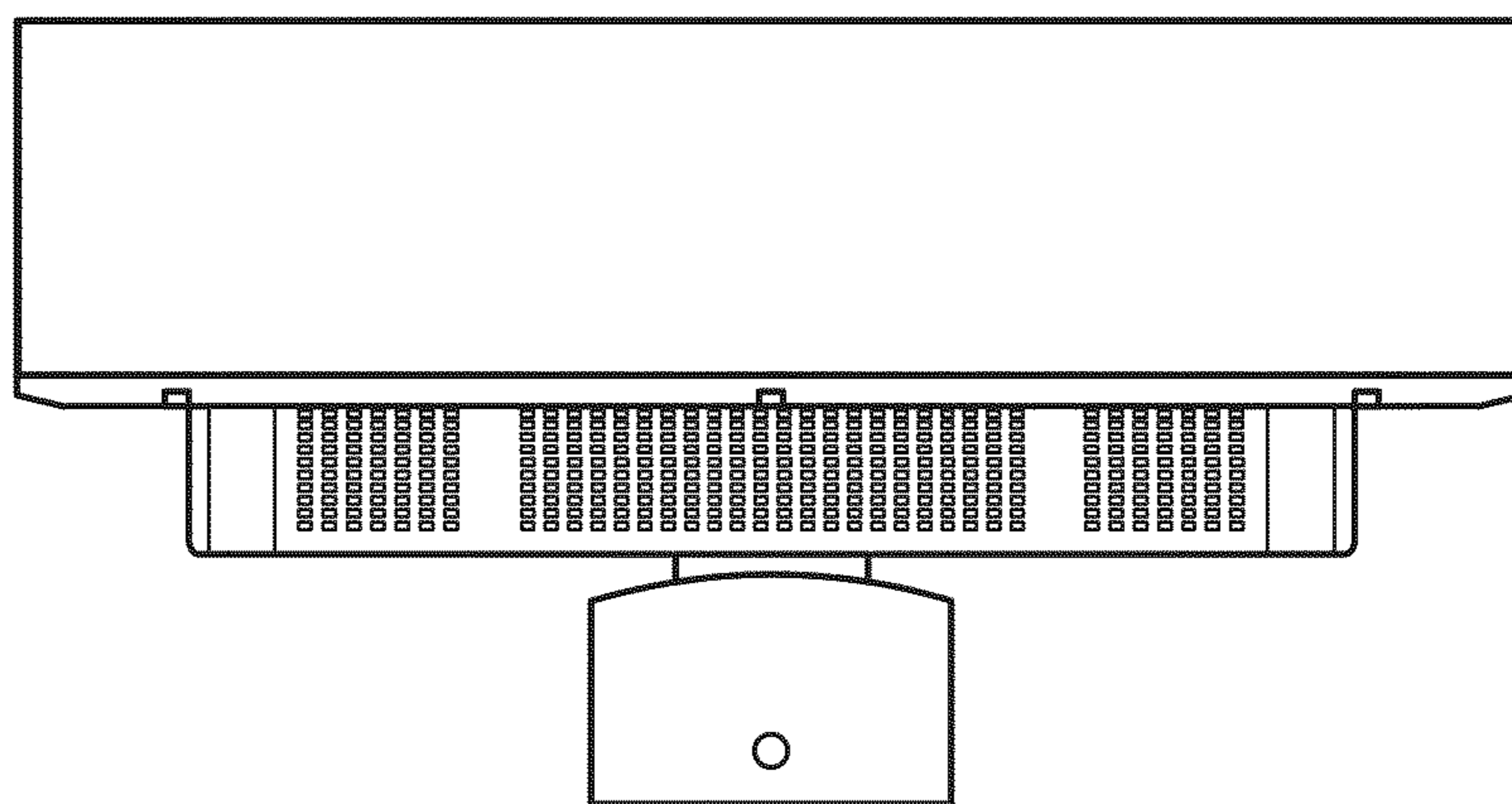


FIG. 11

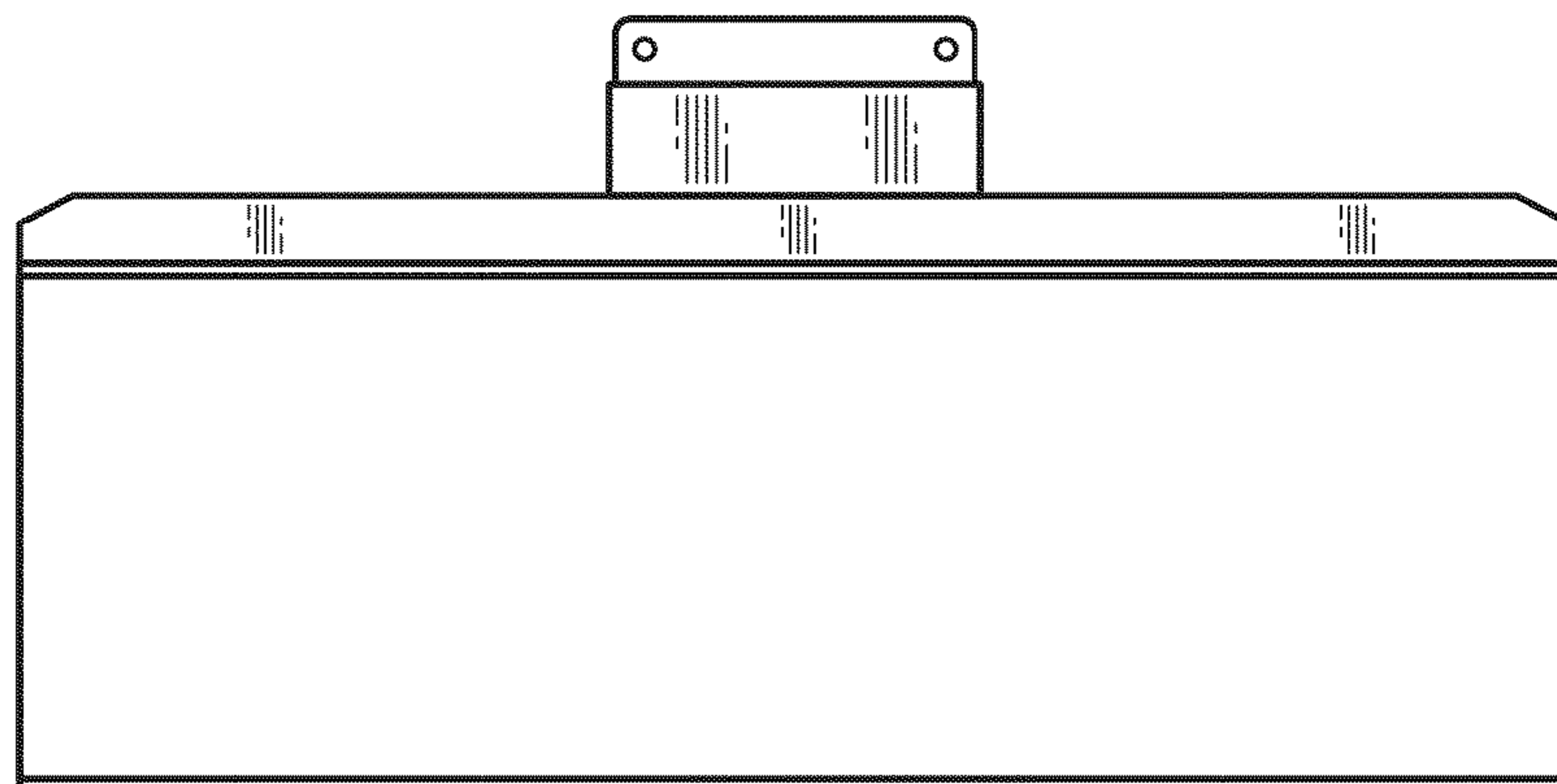


FIG. 12

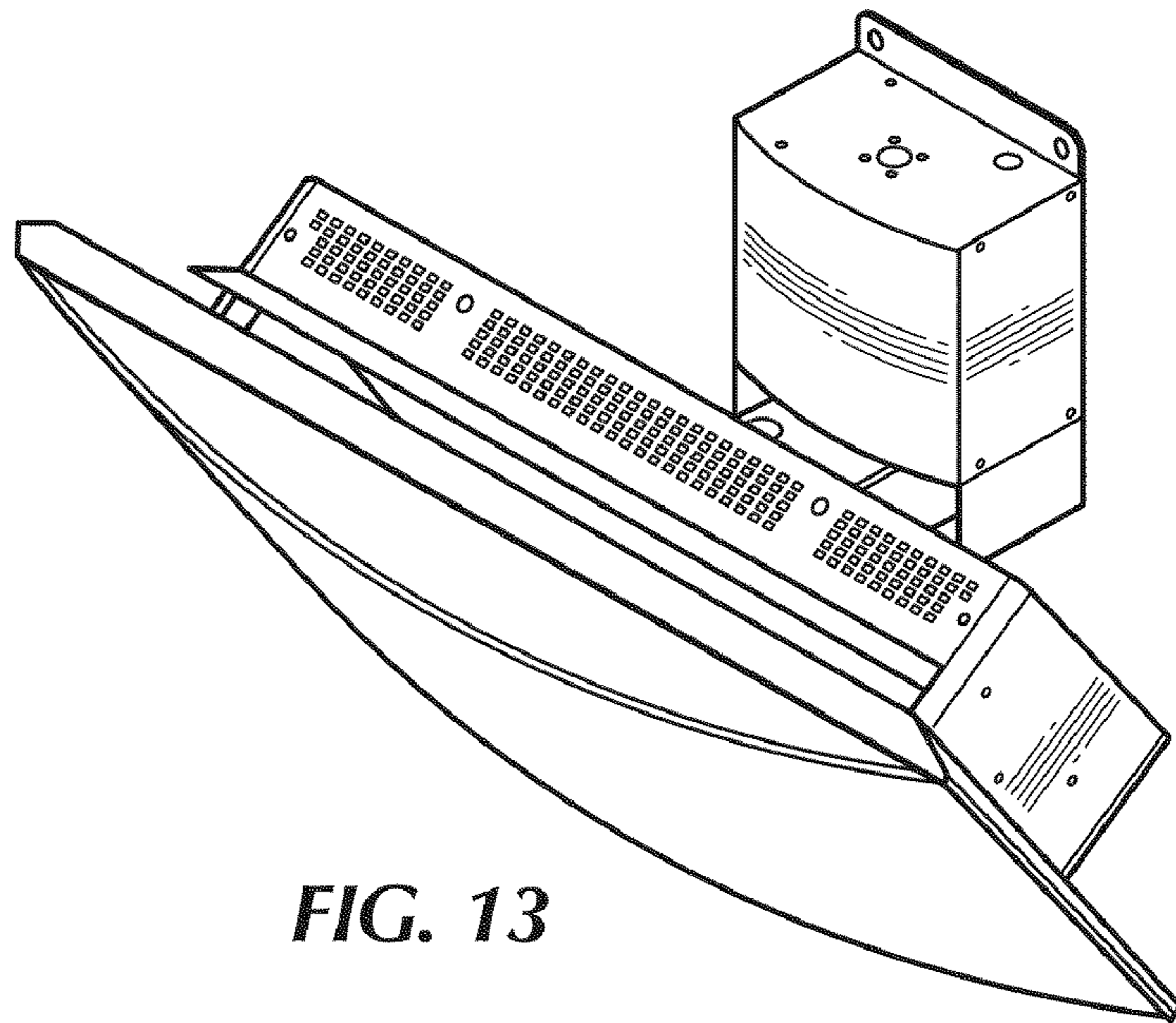


FIG. 13

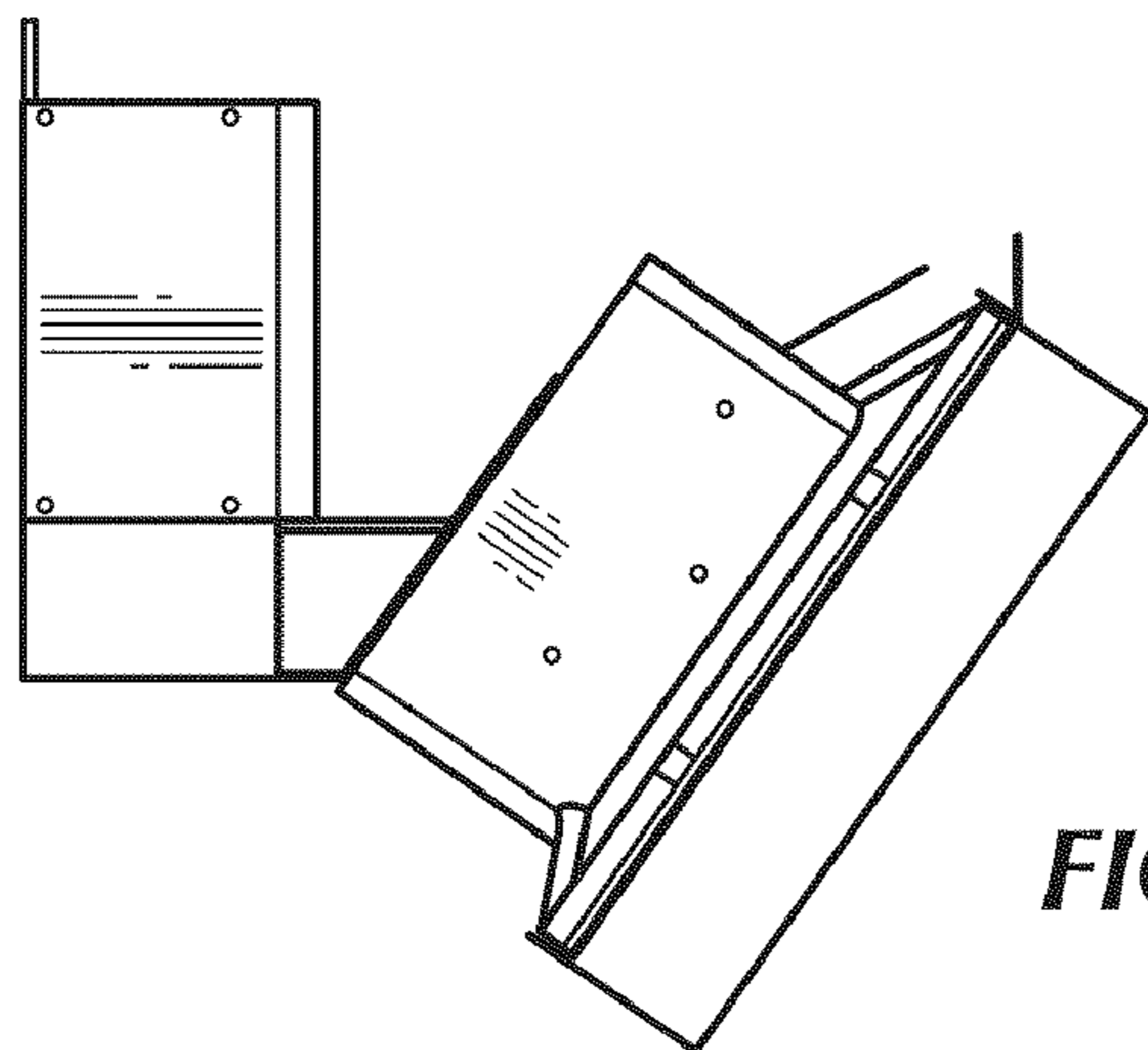


FIG. 14

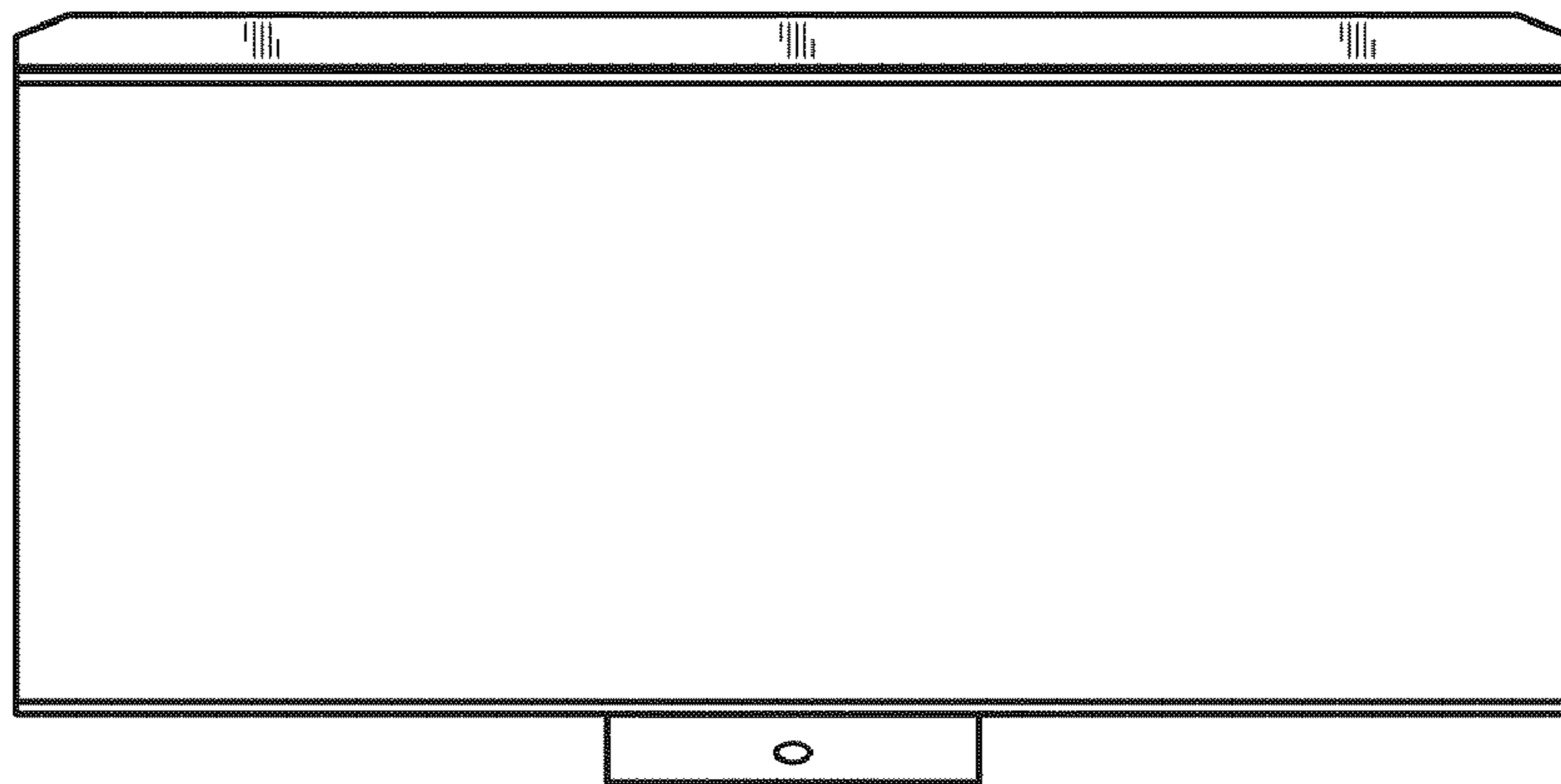


FIG. 15

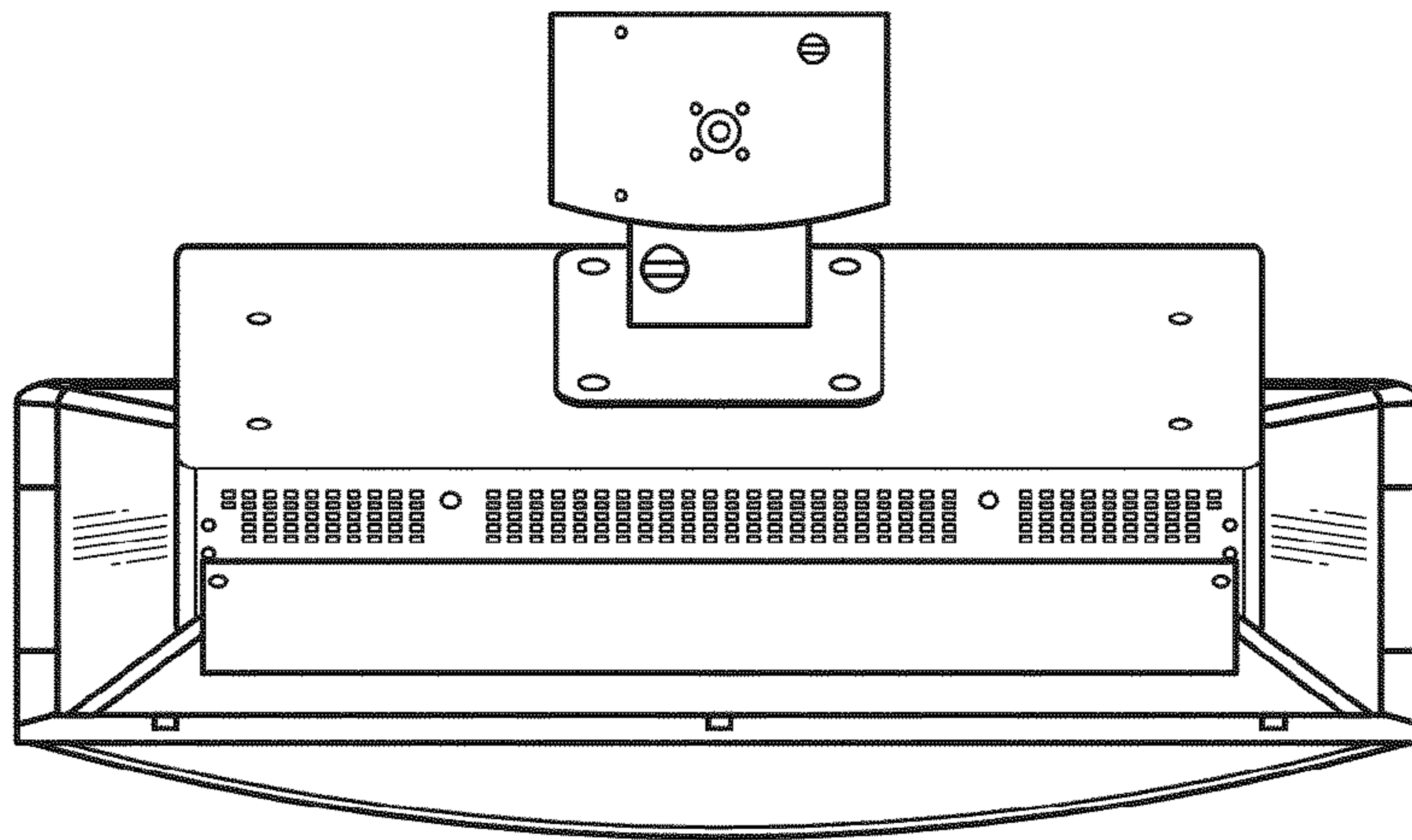


FIG. 16

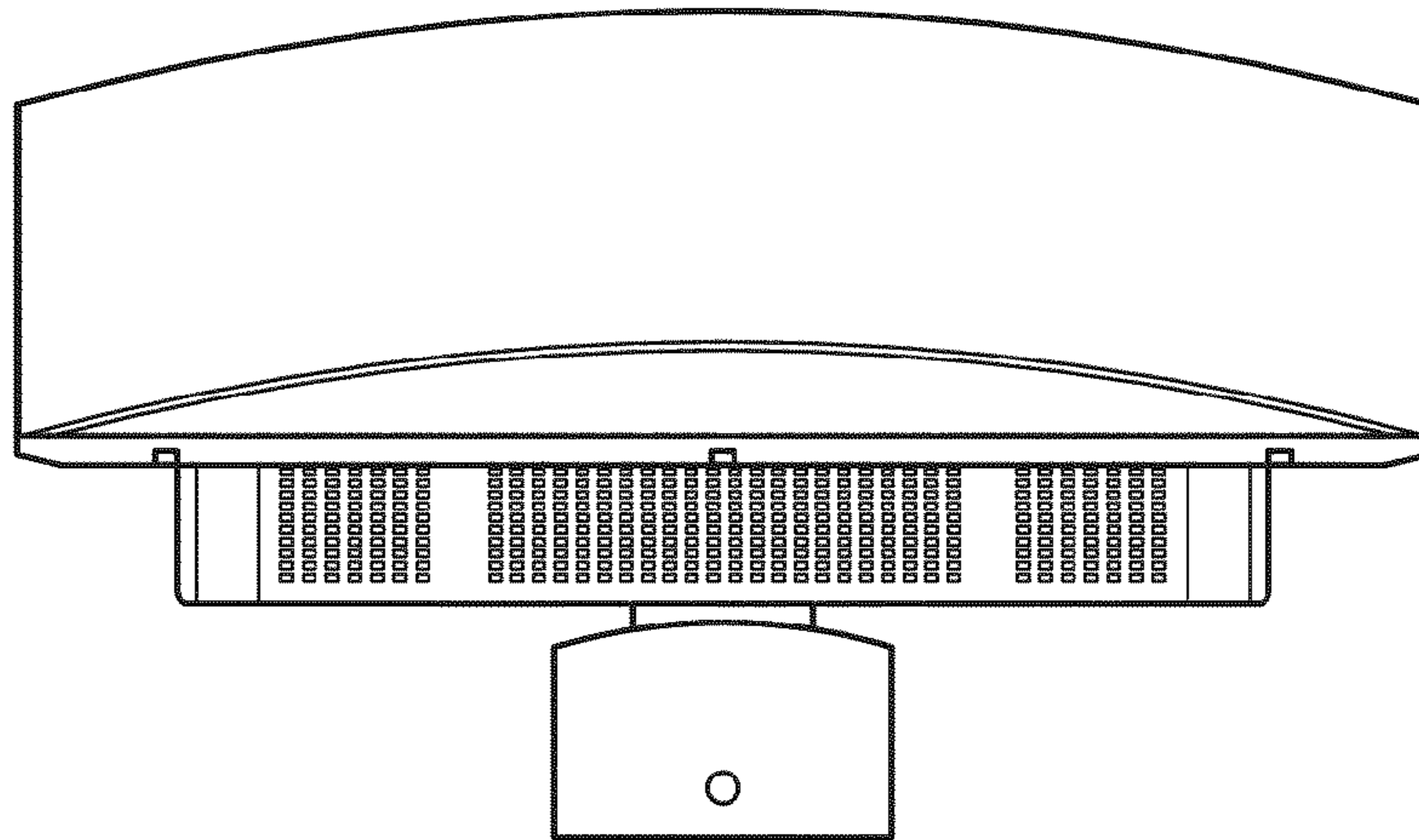


FIG. 17

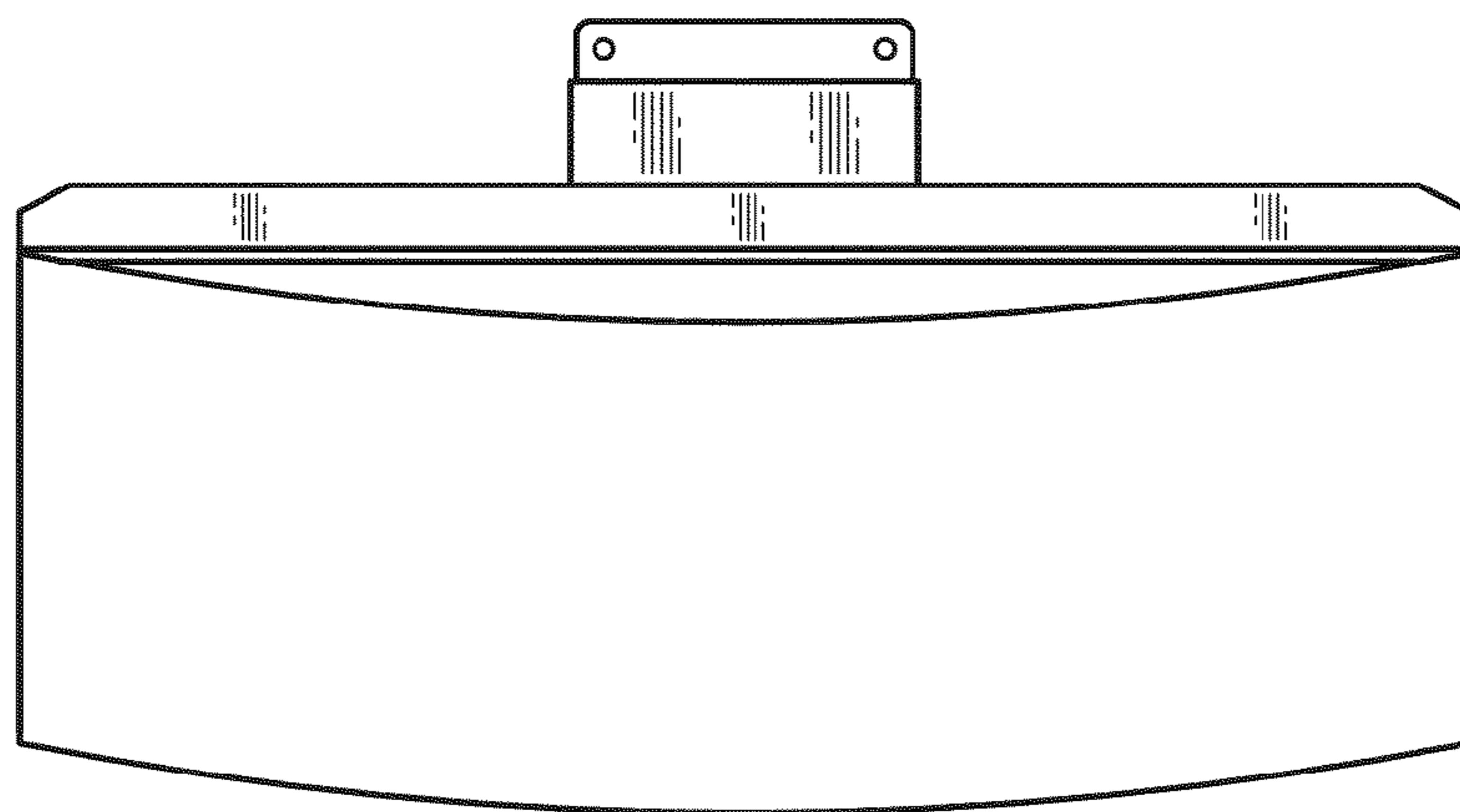


FIG. 18