



US00D652494S

(12) **United States Design Patent**  
**Fuur et al.**

(10) **Patent No.:** **US D652,494 S**  
(45) **Date of Patent:** **\*\* Jan. 17, 2012**

(54) **SOLAR WATER HEATER**

(75) Inventors: **Morten Fuur**, Solbjerg (DK);  
**Flemming Fogh**, Hojlundsparken (DK);  
**Peter Christian Boldsen**, Risskov (DK)

(73) Assignee: **Aguasol APS**, Solbjerg (DK)

(\*\*) Term: **14 Years**

(21) Appl. No.: **29/388,233**

(22) Filed: **Mar. 25, 2011**

(30) **Foreign Application Priority Data**

Oct. 4, 2010 (EM) ..... 001763137

(51) **LOC (9) Cl.** ..... **23-03**

(52) **U.S. Cl.** ..... **D23/318; D13/102**

(58) **Field of Classification Search** ..... D23/314,  
D23/318, 322, 323; D13/102; 126/569,  
126/714, 635, 636

See application file for complete search history.

(56) **References Cited**

U.S. PATENT DOCUMENTS

4,084,578	A *	4/1978	Ishibashi	126/590
4,165,735	A *	8/1979	Smith	126/638
4,284,066	A *	8/1981	Brow	126/640
4,340,030	A *	7/1982	Molivadas	126/635
4,505,261	A *	3/1985	Hunter	126/635
4,686,961	A *	8/1987	Garrison	126/635
4,724,826	A *	2/1988	Muramatsu	126/636
4,766,885	A *	8/1988	Muramatsu	126/636
D312,069	S *	11/1990	Williamson et al.	D13/102

5,931,156	A *	8/1999	Wang et al.	126/635
D425,013	S *	5/2000	Lai	D13/102
D630,577	S *	1/2011	Eubanks et al.	D13/102
D640,973	S *	7/2011	Katsaros	D13/102
D642,513	S *	8/2011	Chen	D13/102
2004/0129267	A1 *	7/2004	Bourne et al.	126/634

FOREIGN PATENT DOCUMENTS

EM	001637174	11/2009
EM	001763137	10/2010
WO	WO 2011/042021	4/2011

\* cited by examiner

*Primary Examiner* — T. Chase Nelson

*Assistant Examiner* — Ania Aman

(74) *Attorney, Agent, or Firm* — Sheridan Ross, P.C.

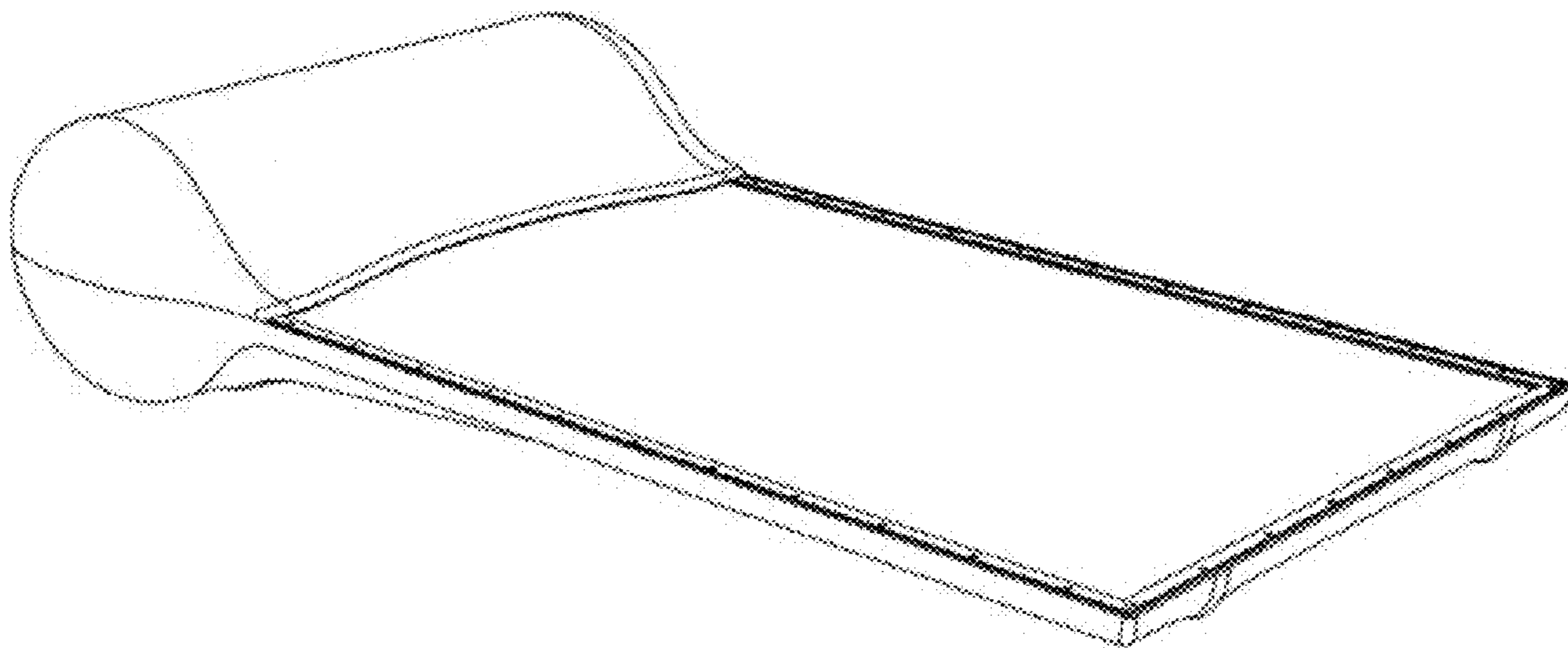
(57) **CLAIM**

The ornamental design for a solar water heater, as shown and described.

**DESCRIPTION**

FIG. 1 is a top perspective view of a solar water heater; FIG. 2 is a plan view of the invention illustrated in FIG. 1; FIG. 3 is a side elevation view of the invention illustrated in FIG. 1; FIG. 4 is an opposite side elevation view of the invention as compared to FIG. 3; FIG. 5 is an end elevation view of the invention illustrated in FIG. 1; FIG. 6 is an opposite end elevation view of the invention as compared to FIG. 5; and, FIG. 7 is a bottom perspective view of the invention illustrated in FIG. 1.

**1 Claim, 4 Drawing Sheets**



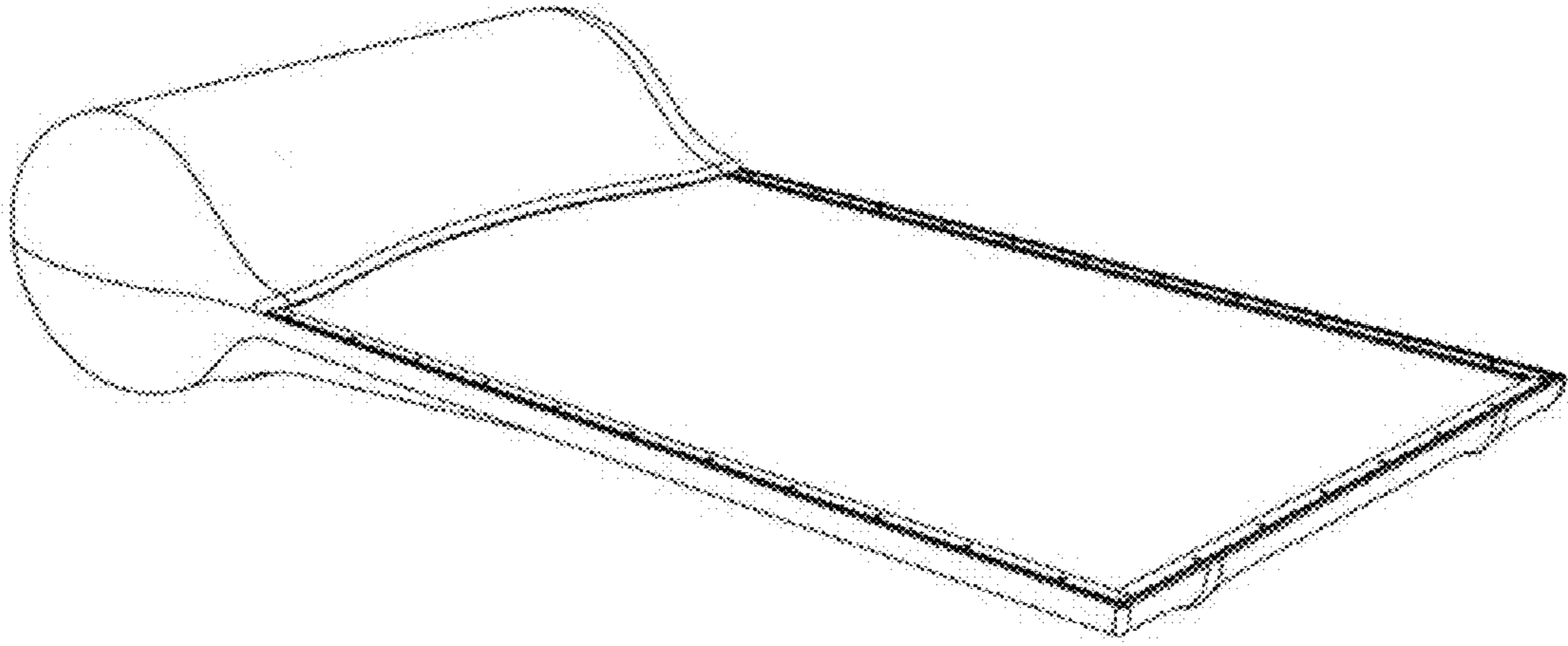


FIGURE 1

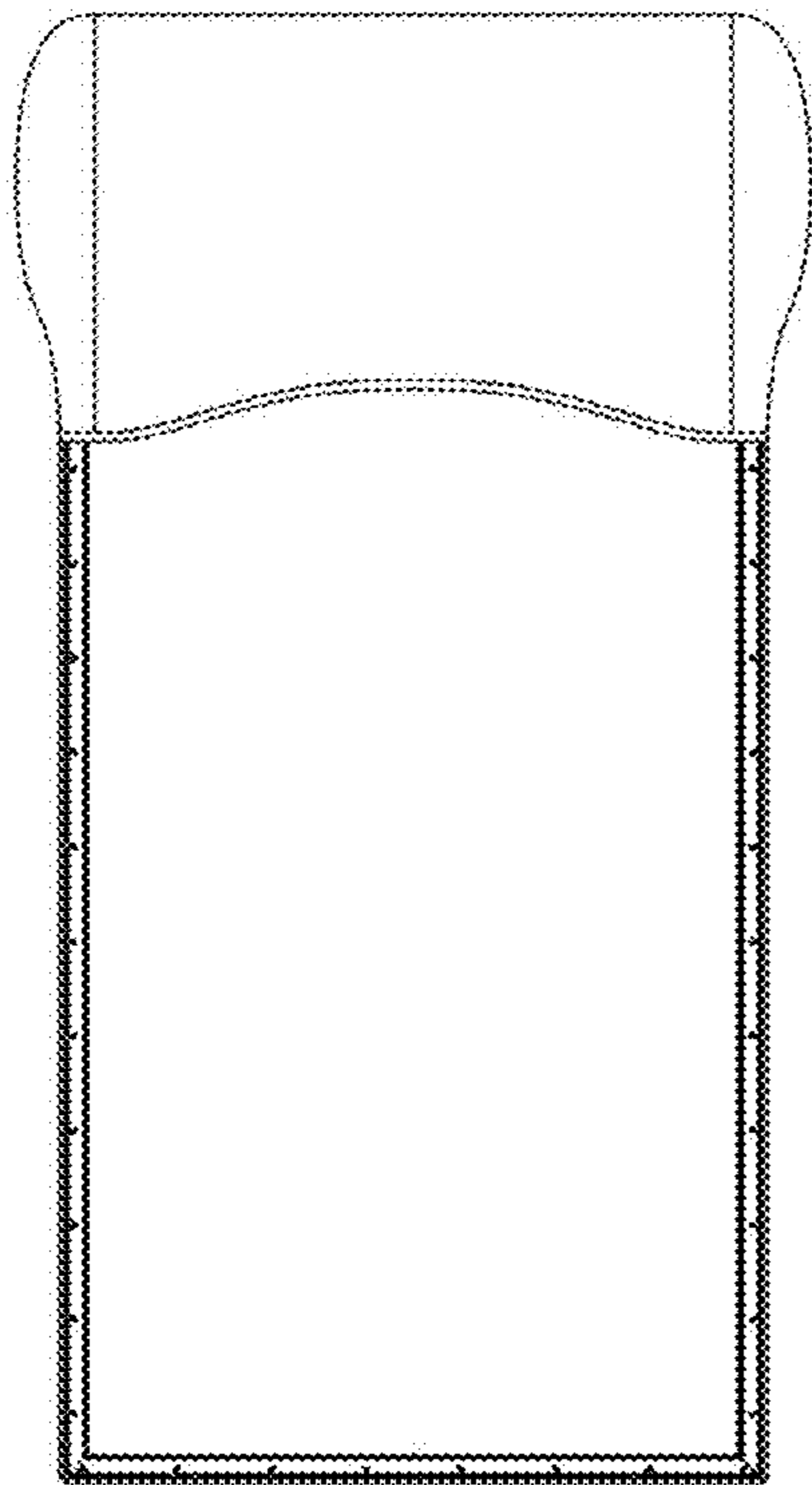


FIGURE 2

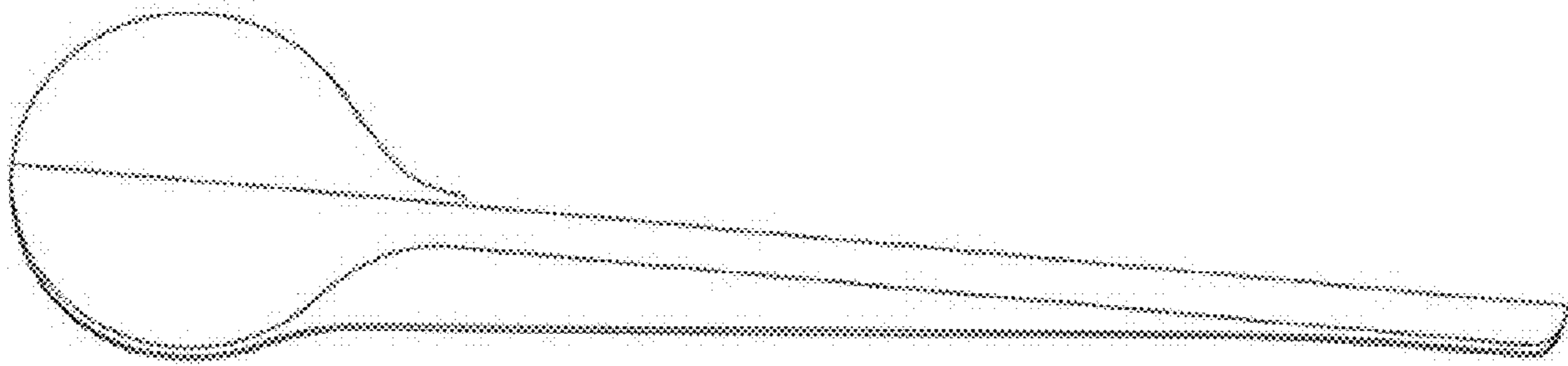


FIGURE 3

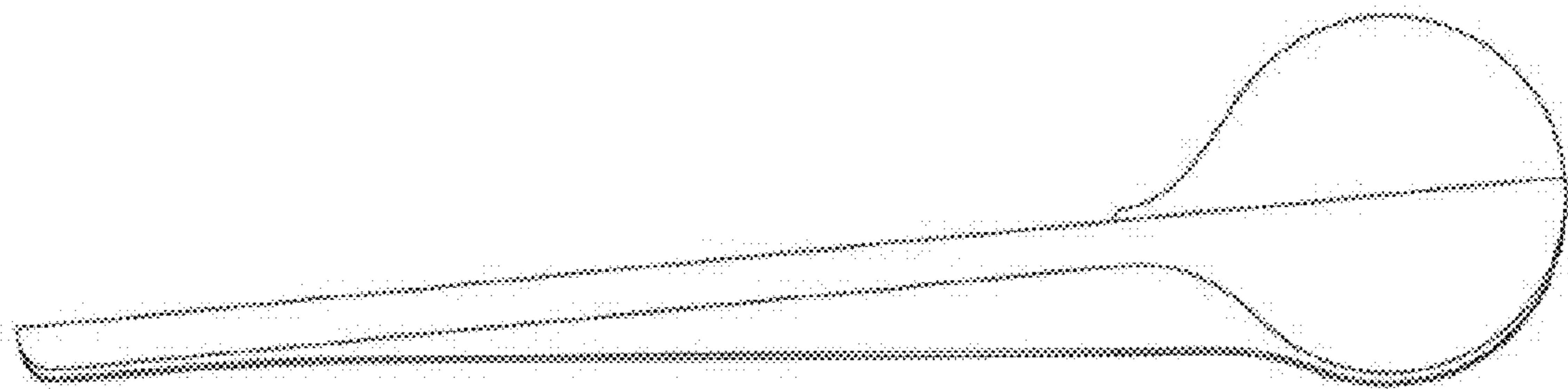


FIGURE 4

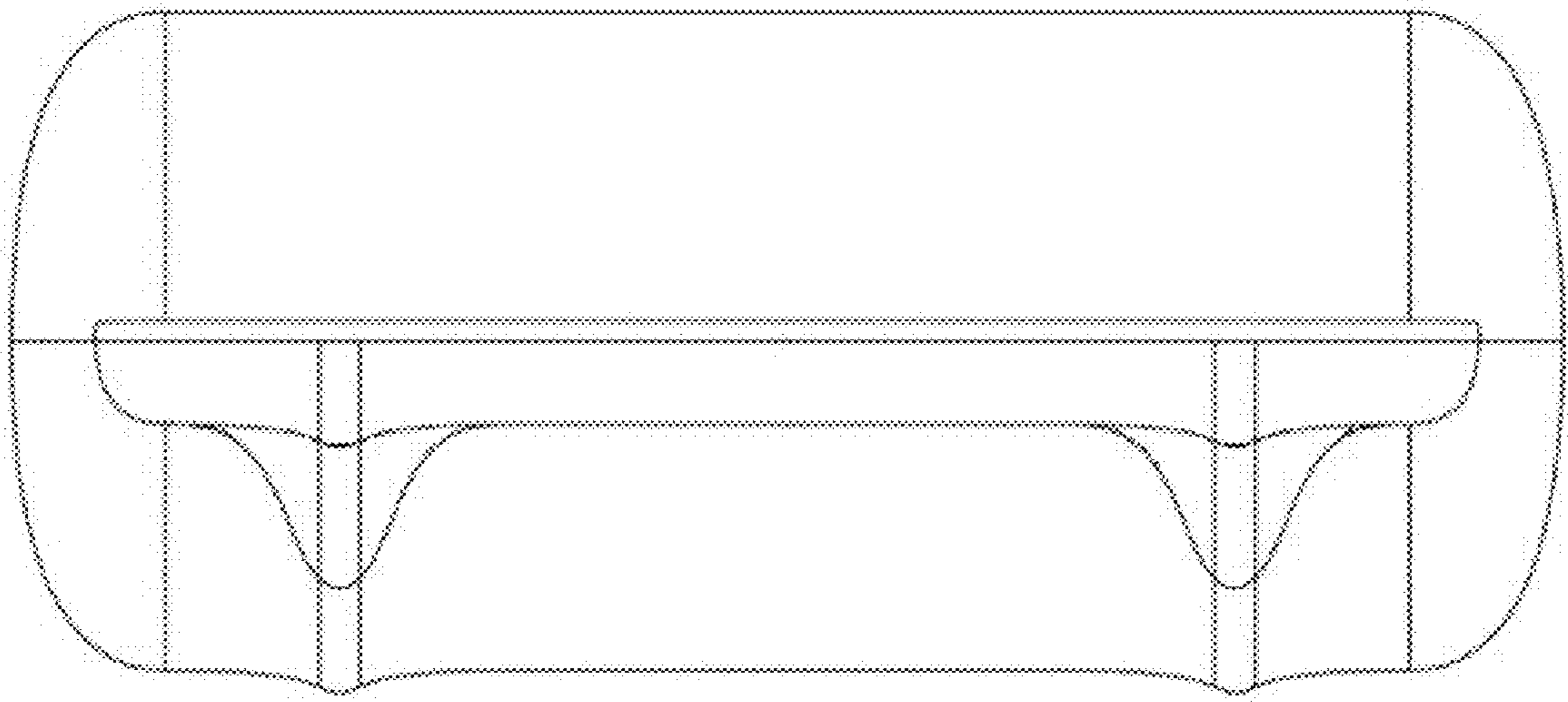


FIGURE 5

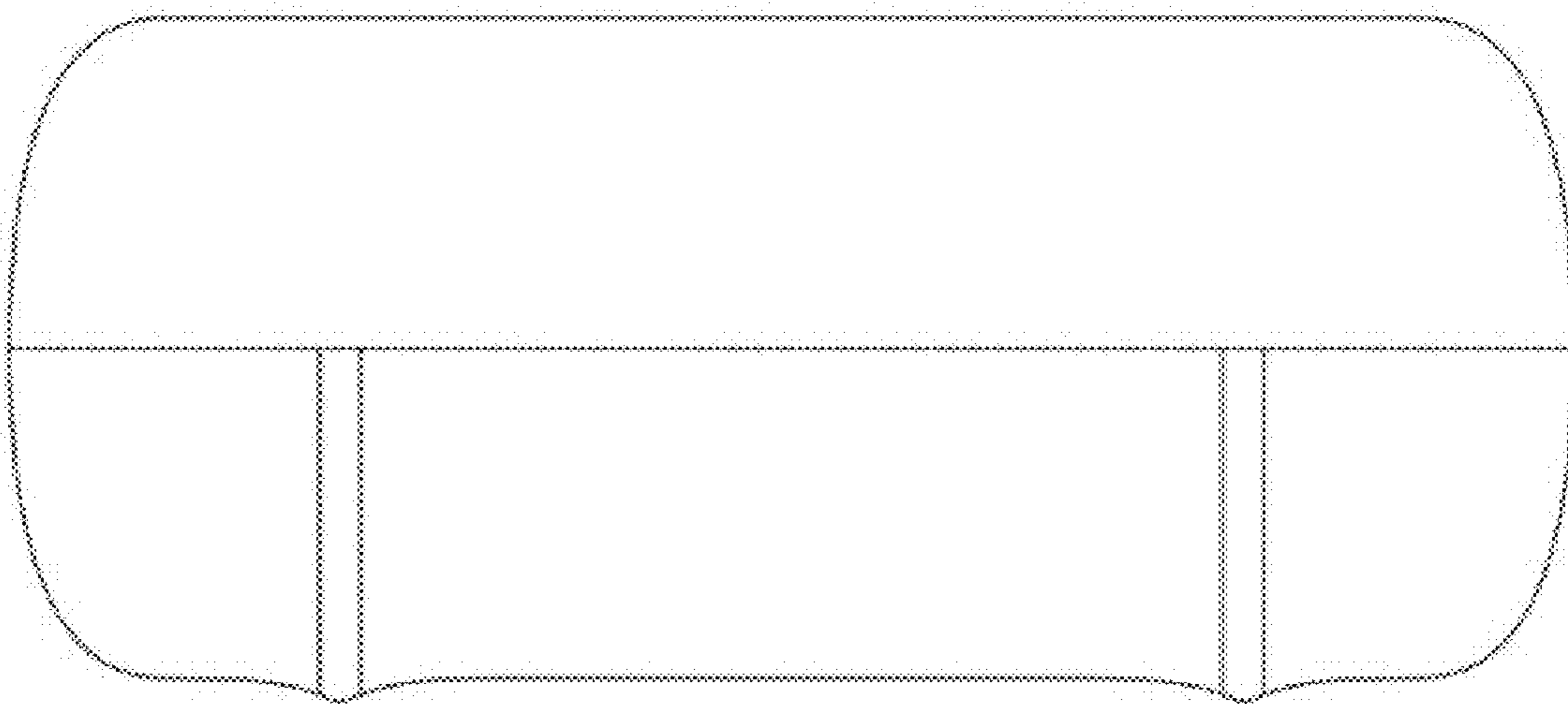


FIGURE 6

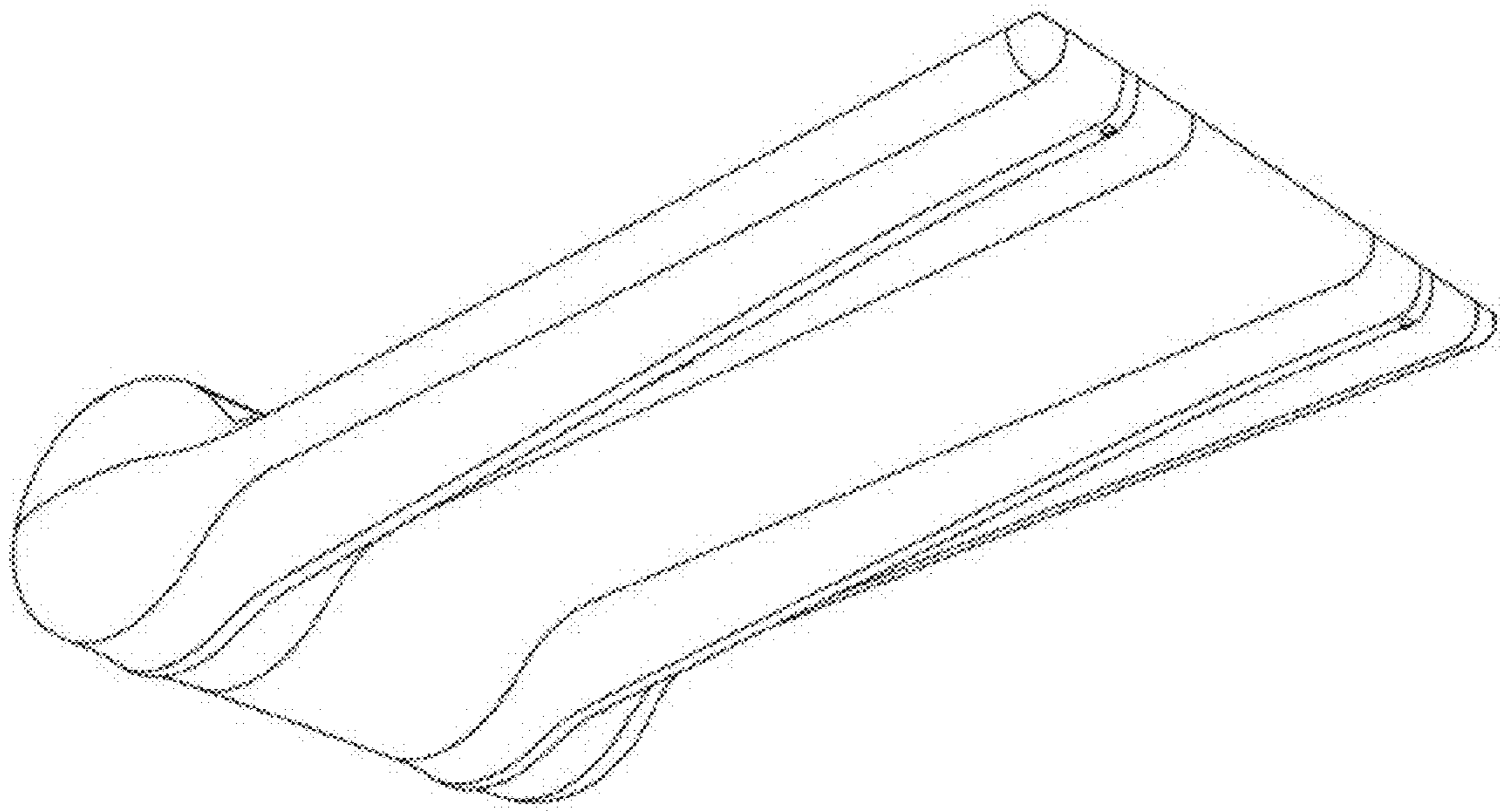


FIGURE 7