



US00D652492S

(12) **United States Design Patent**  
**Slothower et al.**

(10) **Patent No.:** **US D652,492 S**  
(45) **Date of Patent:** **\*\* Jan. 17, 2012**

(54) **LAVATORY**

(75) Inventors: **Anna-Pia Slothower**, Mill Valley, CA (US); **Emily K. DuFour**, Sheboygan, WI (US)

(73) Assignee: **Kohler Co.**, Kohler, WI (US)

(\*\*) Term: **14 Years**

(21) Appl. No.: **29/356,682**

(22) Filed: **Mar. 1, 2010**

**Related U.S. Application Data**

(63) Continuation-in-part of application No. 29/336,036, filed on Apr. 27, 2009, now Pat. No. Des. 612,466.

(51) **LOC (9) Cl.** ..... **23-02**

(52) **U.S. Cl.** ..... **D23/293.1**

(58) **Field of Classification Search** ..... D23/284-287,  
D23/290-293.1, 308; 4/619, 637, 639-640,  
4/642

See application file for complete search history.

(56) **References Cited**

**U.S. PATENT DOCUMENTS**

3,824,636 A 7/1974 Brown  
D475,579 S \* 6/2003 Jørgensen ..... D7/545  
D521,616 S \* 5/2006 Bates ..... D23/293.1  
D537,926 S \* 3/2007 Sutopo ..... D23/293.1  
D568,109 S 5/2008 Weber

**OTHER PUBLICATIONS**

Anawalt Custom Sinks "Oriental Basin with Brass Faucet". HomePortfolio.com online catalog. Copyright 1997-2009 HomePortfolio Inc.  
Kohler Co. "Samba". Kohler.com online catalog.  
Porcher. "Belle Terra Grande Countertop Lavatory". HomePortfolio.com online catalog. Copyright 1997-2009 HomePortfolio Inc.

Kohler Co. "Botanical Study". Kohler Co. online catalog. Copyright 2009 Kohler Co.

Kohler Co. "Zanzibar design on Camber undercounter lavatory". Model No. K-14026-LP. Kohler Co. online catalog. Copyright 2009 Kohler Co.

\* cited by examiner

*Primary Examiner* — Robert A Delehanty

(74) *Attorney, Agent, or Firm* — Foley & Lardner LLP

(57) **CLAIM**

The ornamental design for a lavatory, as shown and described.

**DESCRIPTION**

FIG. 1 is a top, right, front perspective view of a lavatory embodying our new design;

FIG. 2 is a top plan view thereof;

FIG. 3 is a front elevational view thereof;

FIG. 4 is a right side elevational view thereof, the left side elevational view thereof being a mirror image of the right side shown;

FIG. 5 is a rear elevational view thereof;

FIG. 6 is a bottom plan view thereof;

FIG. 7 is a front sectional view thereof taken along line 7-7 of FIG. 2;

FIG. 8 is a top, right, front perspective view of a lavatory according to another embodiment of our new design;

FIG. 9 is a top plan view thereof;

FIG. 10 is a front elevational view thereof;

FIG. 11 is a right side elevational view thereof, the left side elevational view thereof being a mirror image of the right side shown;

FIG. 12 is a rear elevational view thereof;

FIG. 13 is a bottom plan view thereof; and,

FIG. 14 is a front sectional view thereof taken along line 14-14 of FIG. 9.

The broken line representations in the figures are for the purpose of illustration only, and form no part of the claimed design.

**1 Claim, 8 Drawing Sheets**

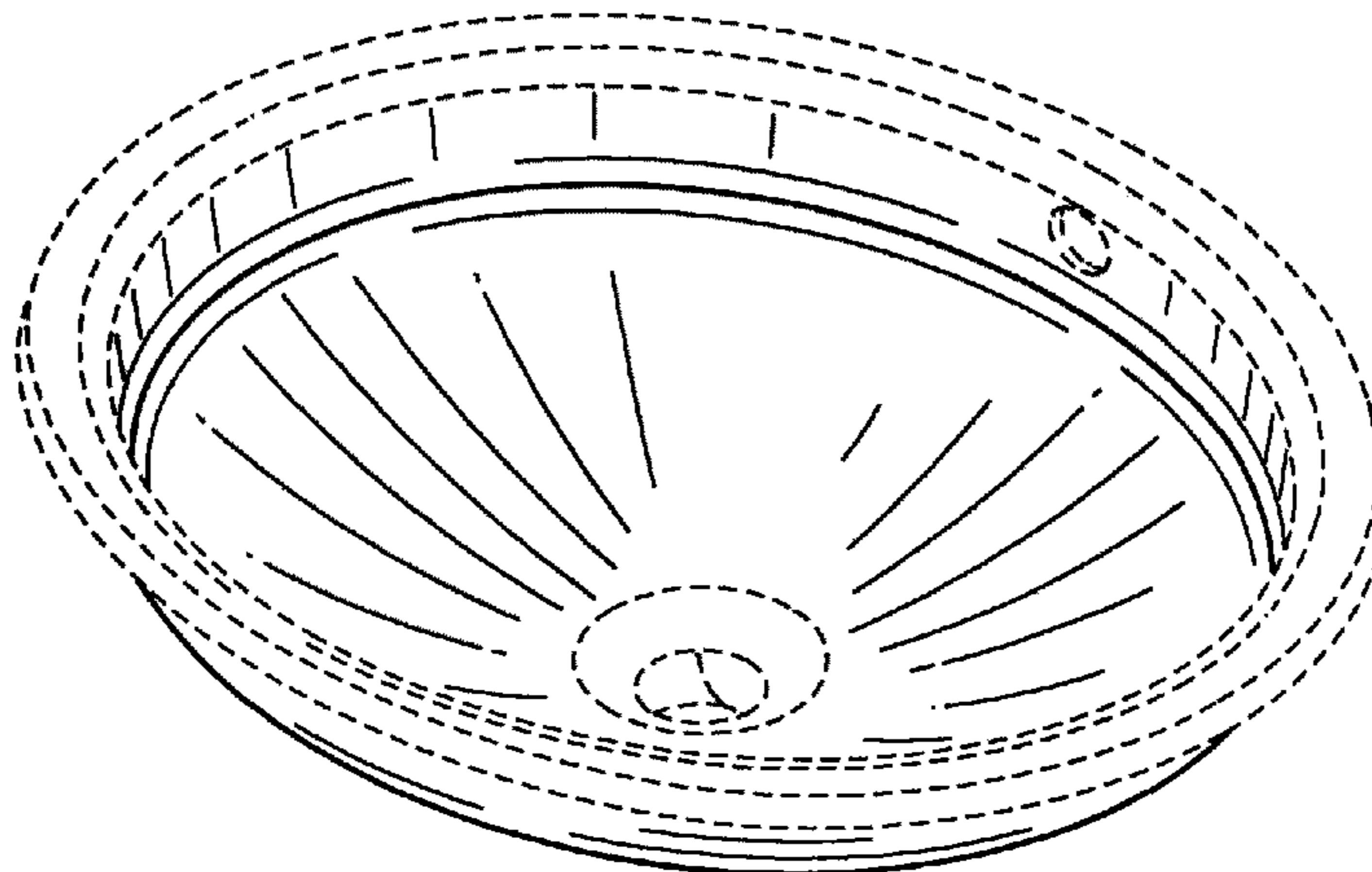


FIG. 1

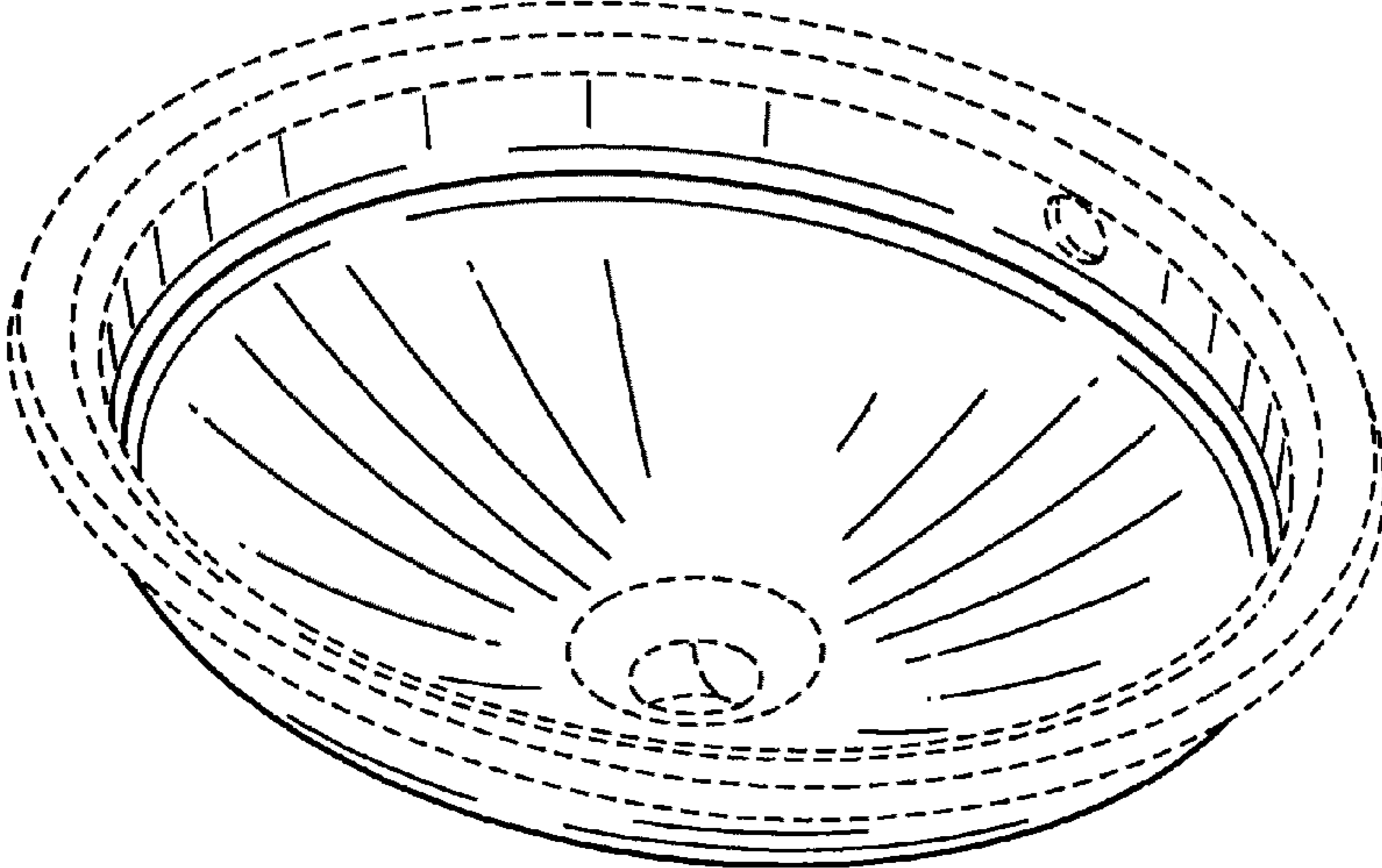


FIG. 2

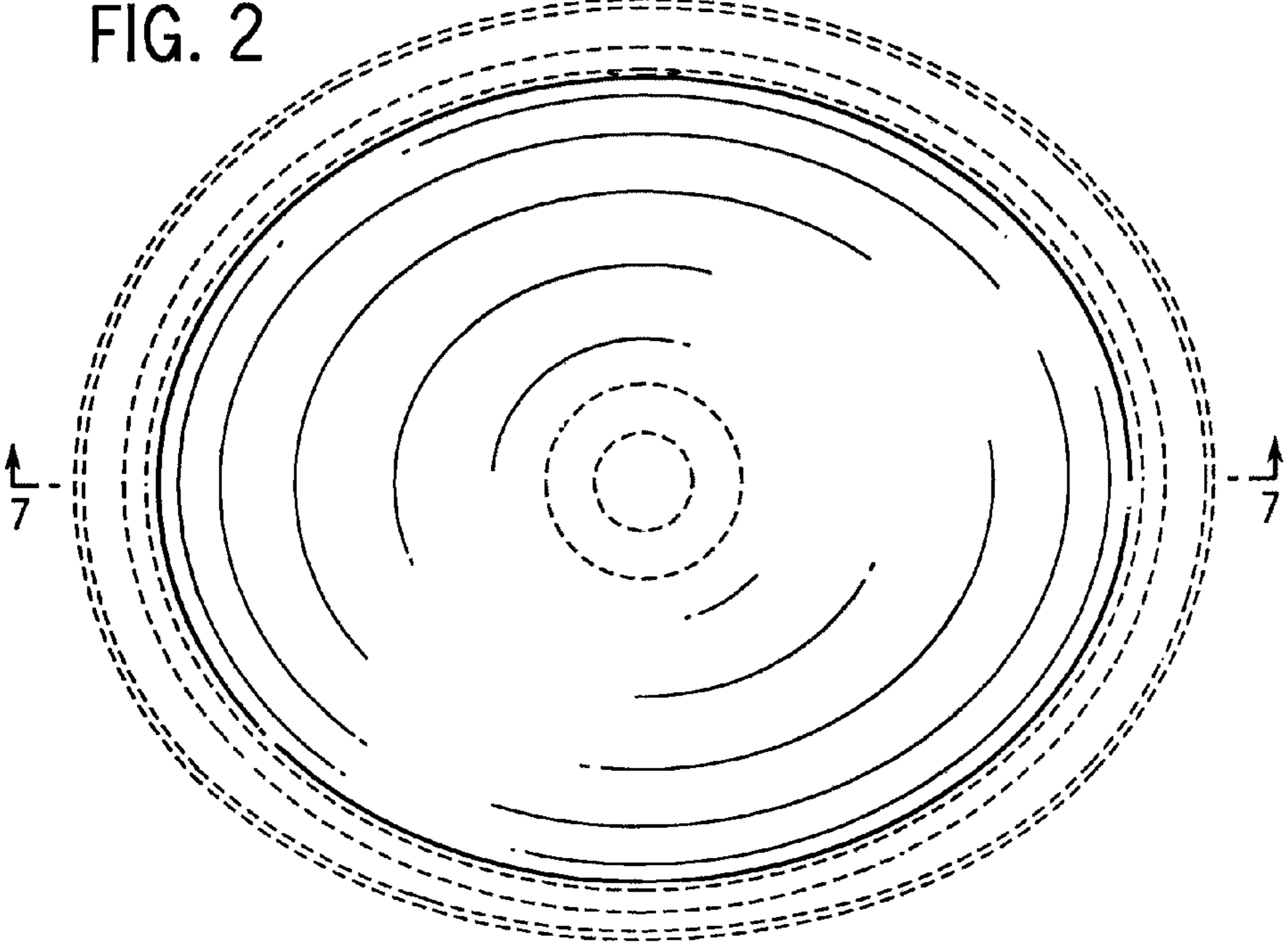


FIG. 3

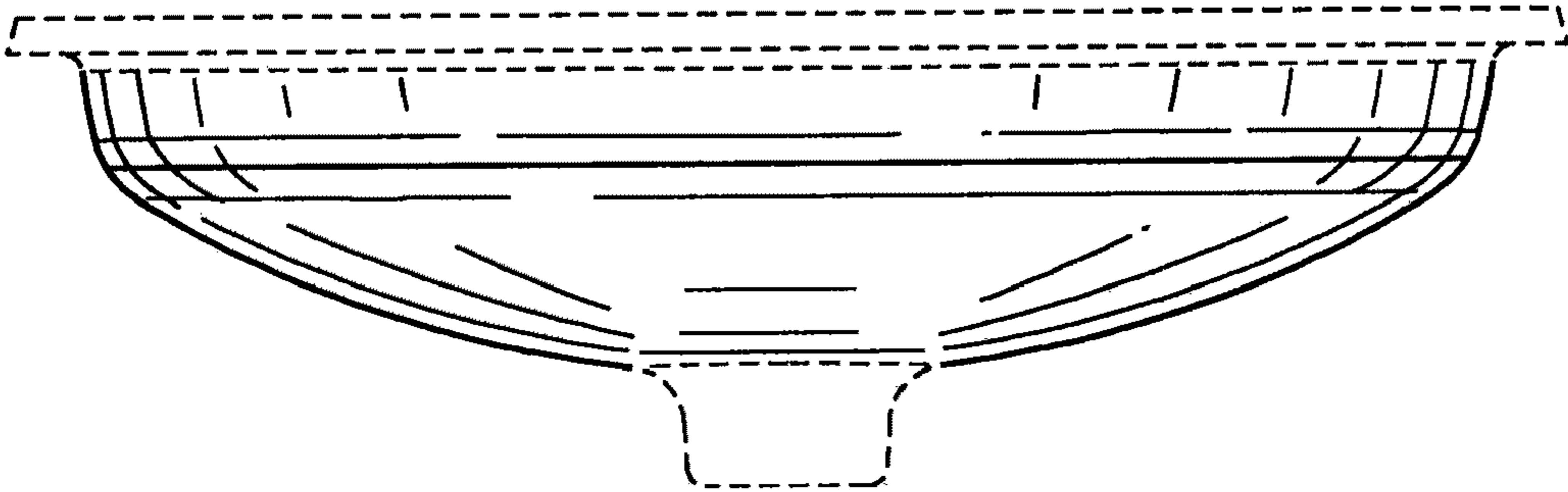


FIG. 4

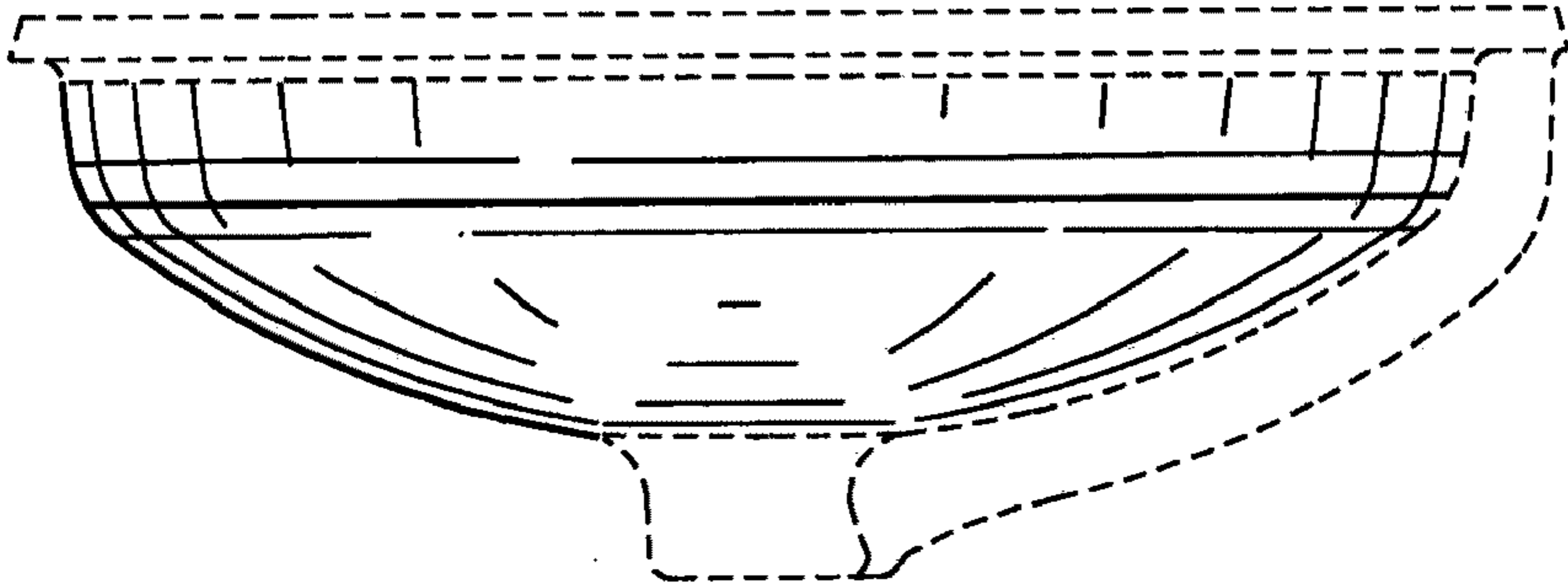


FIG. 5

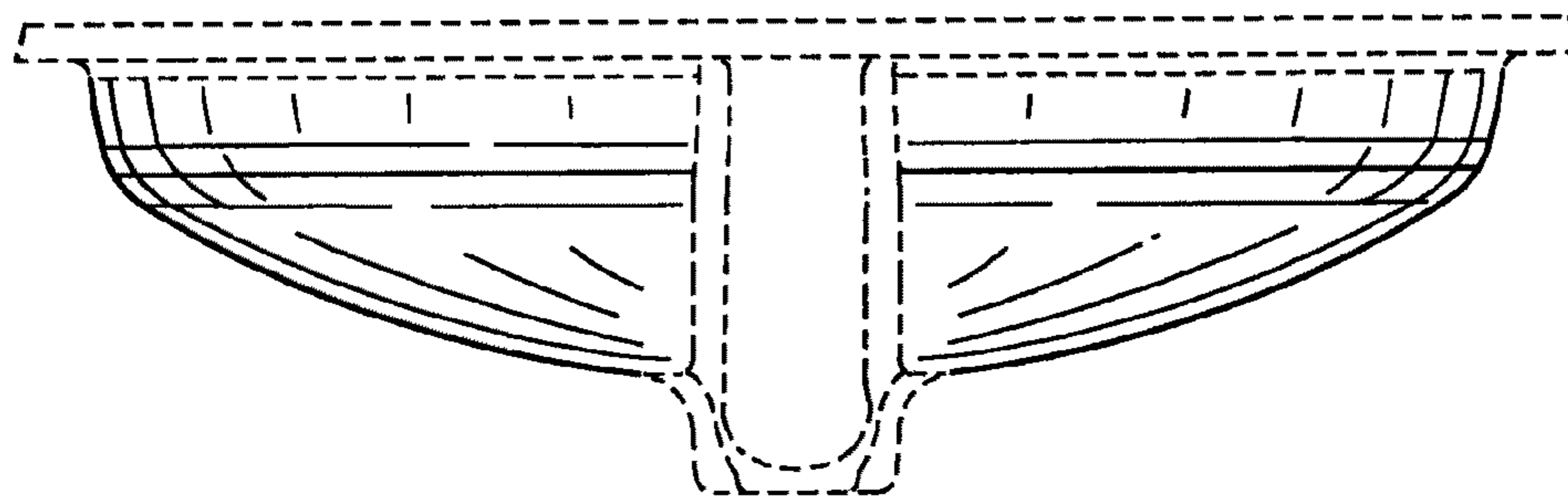


FIG. 6

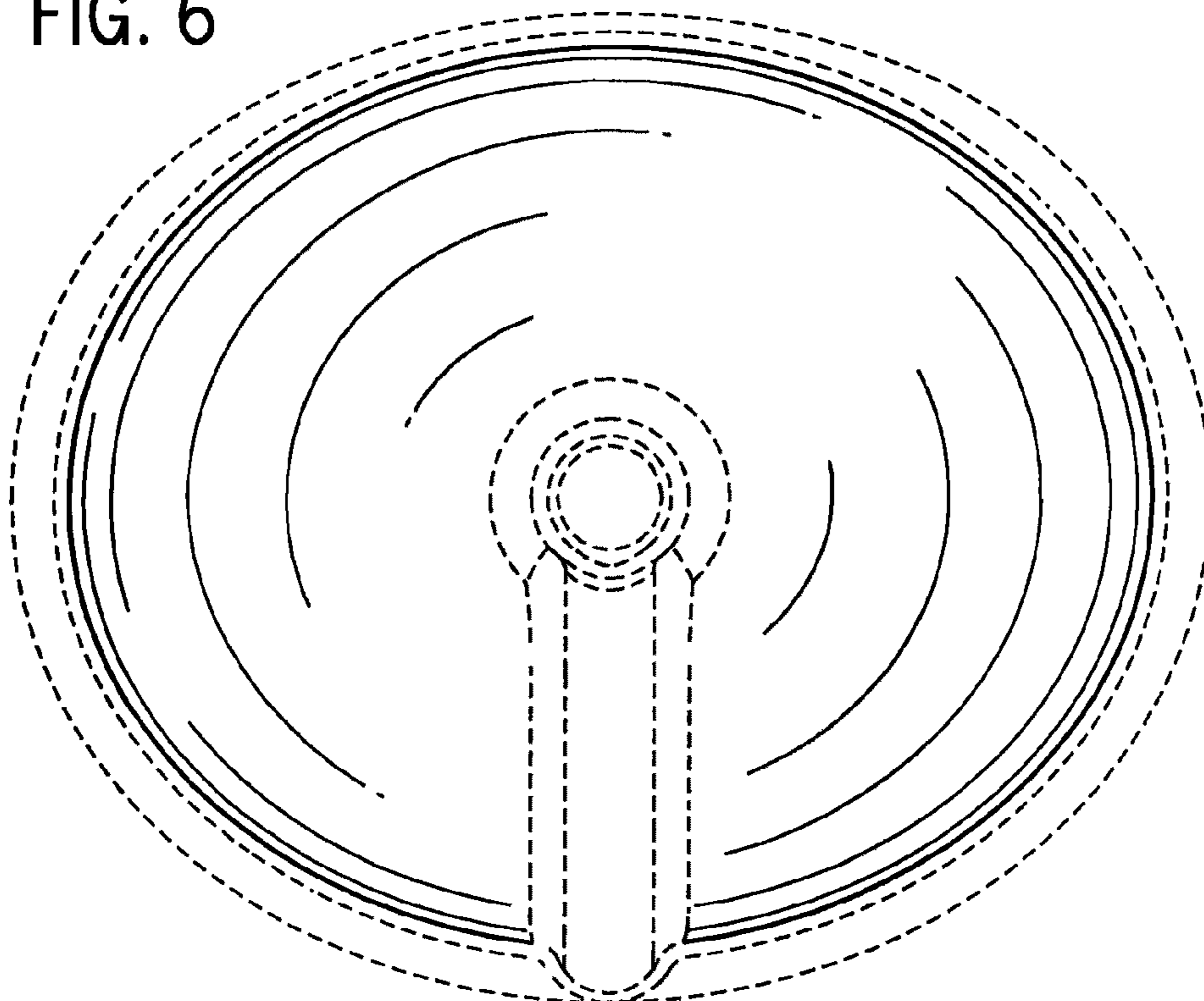


FIG. 7

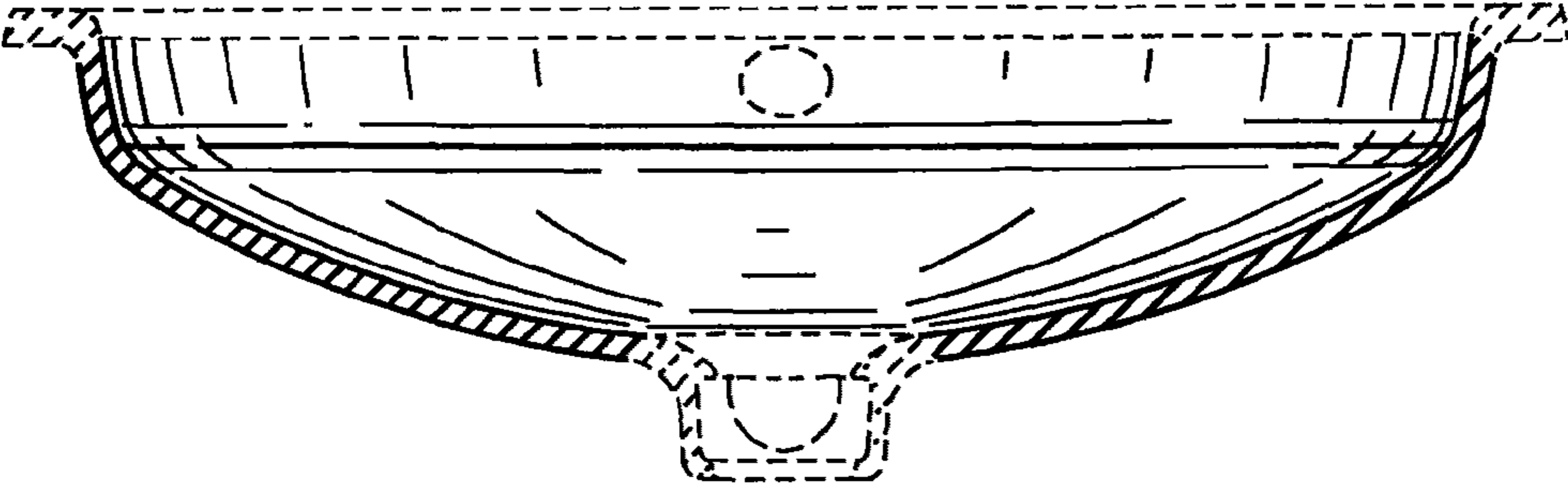


FIG. 8

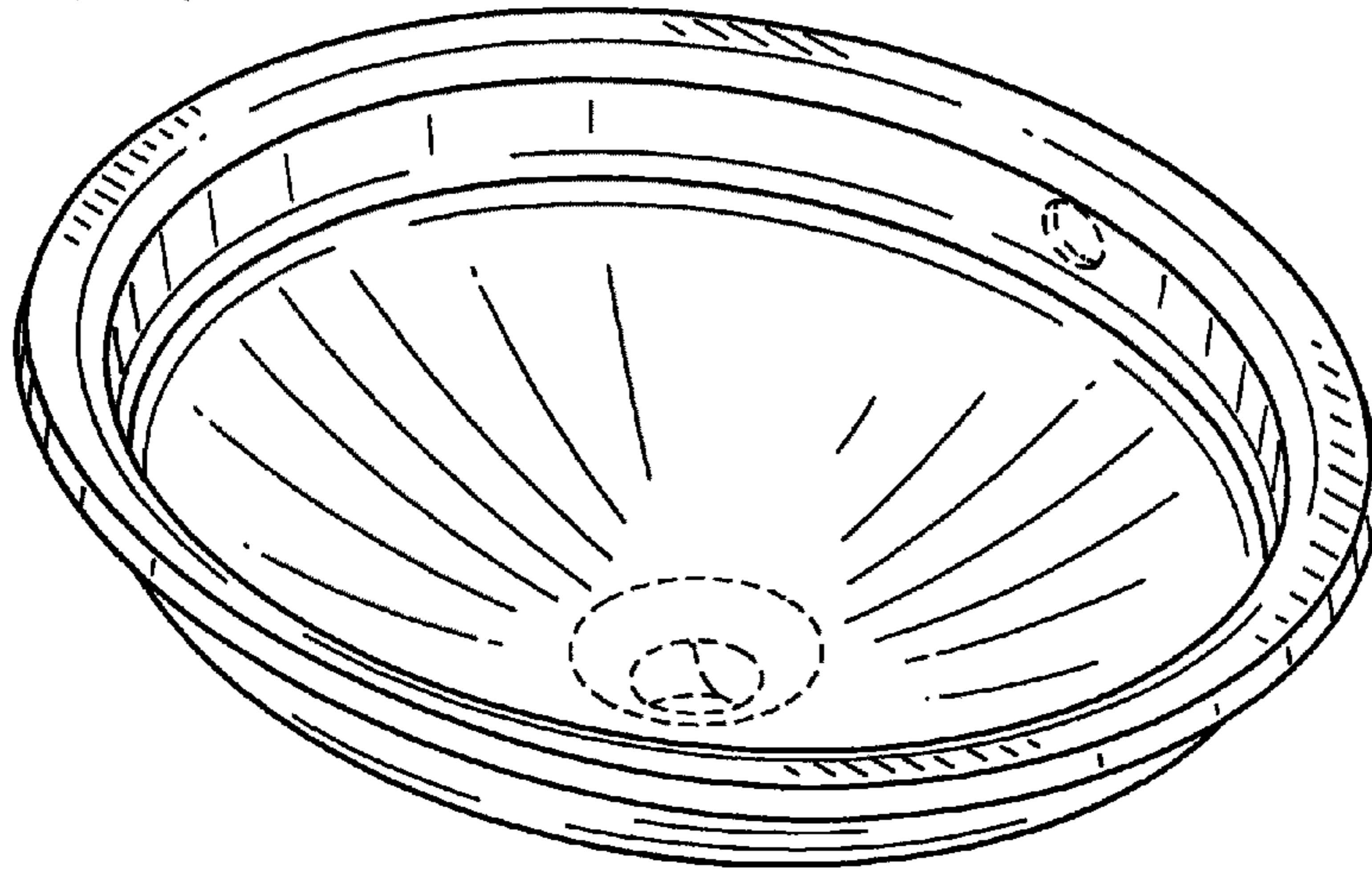


FIG. 9

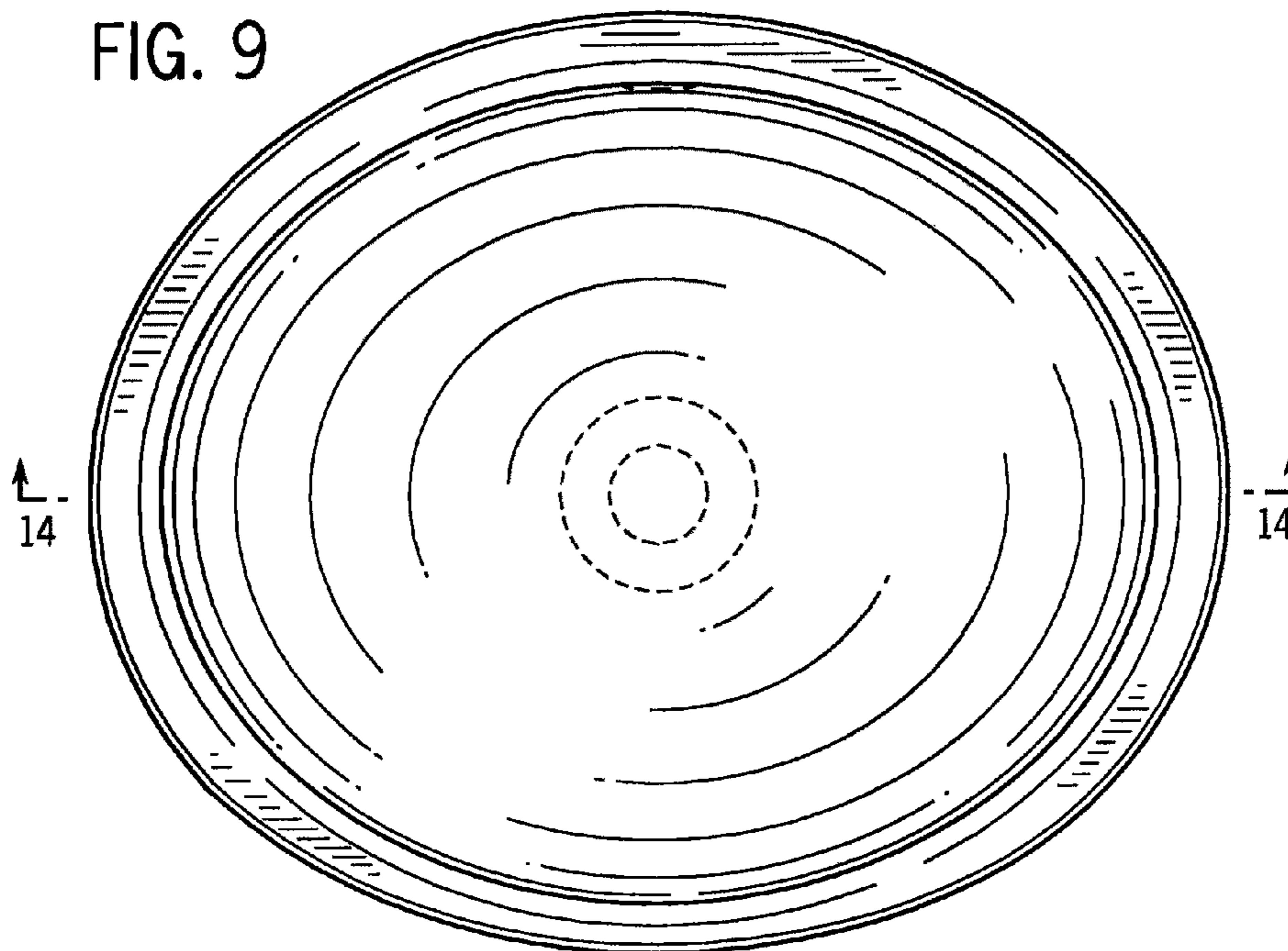


FIG. 10

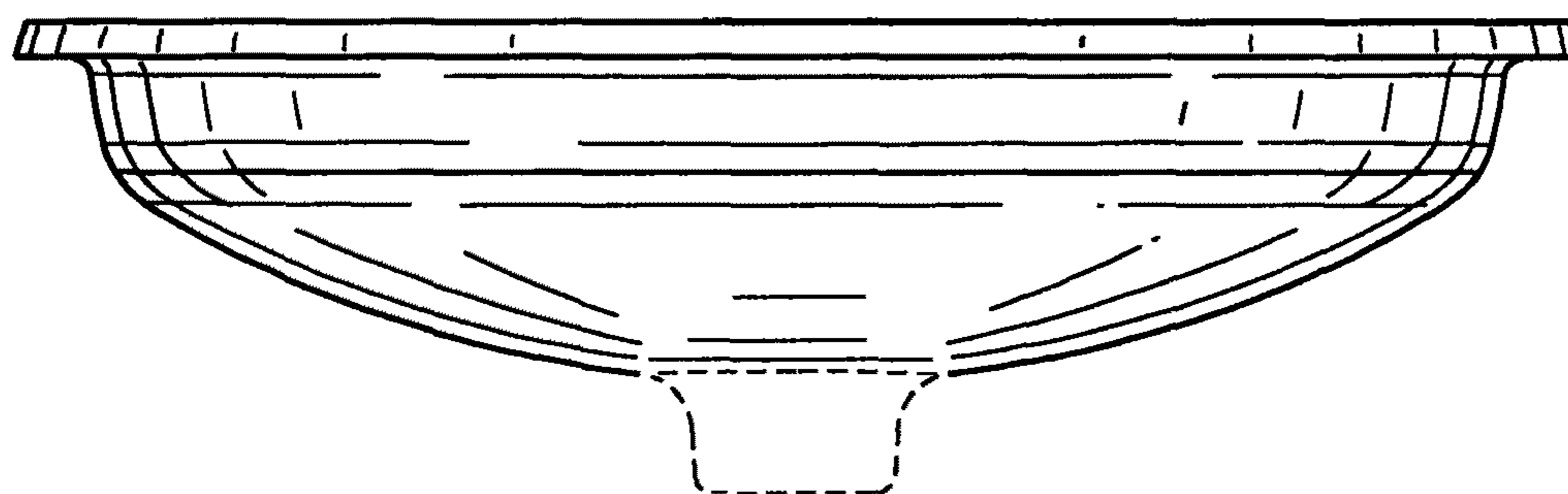


FIG. 11

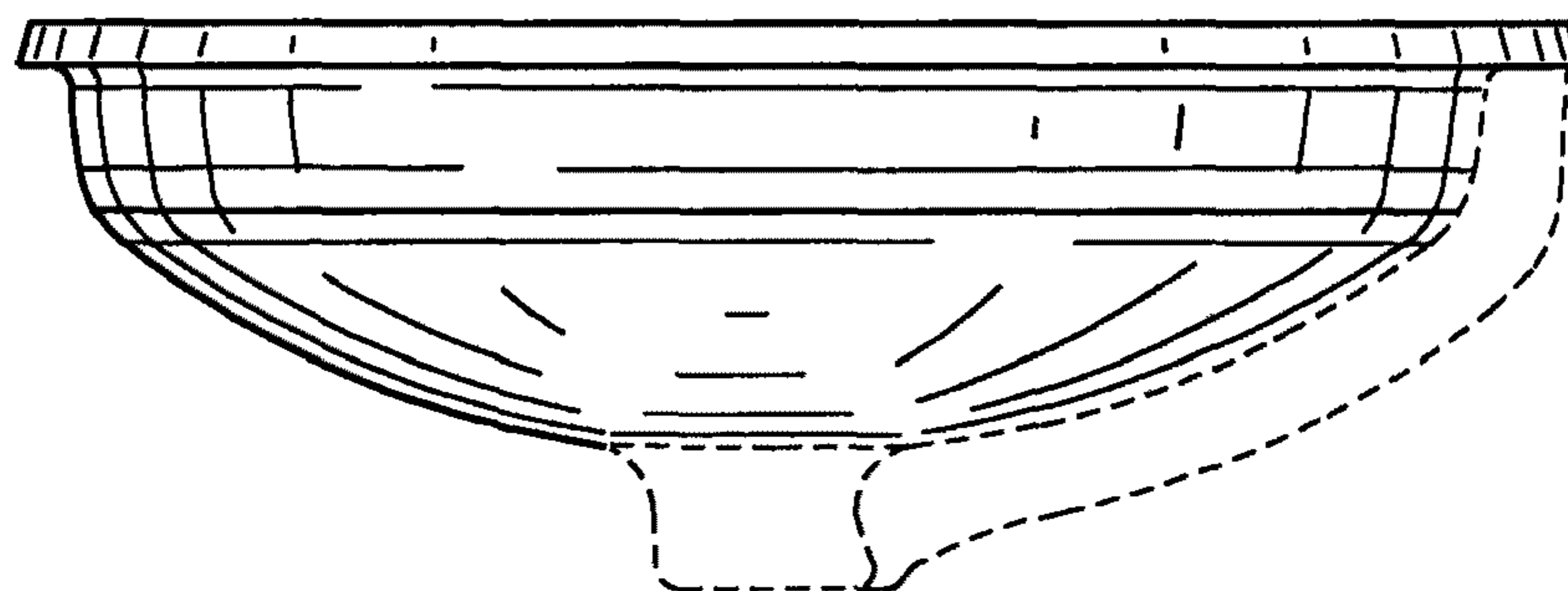


FIG. 12

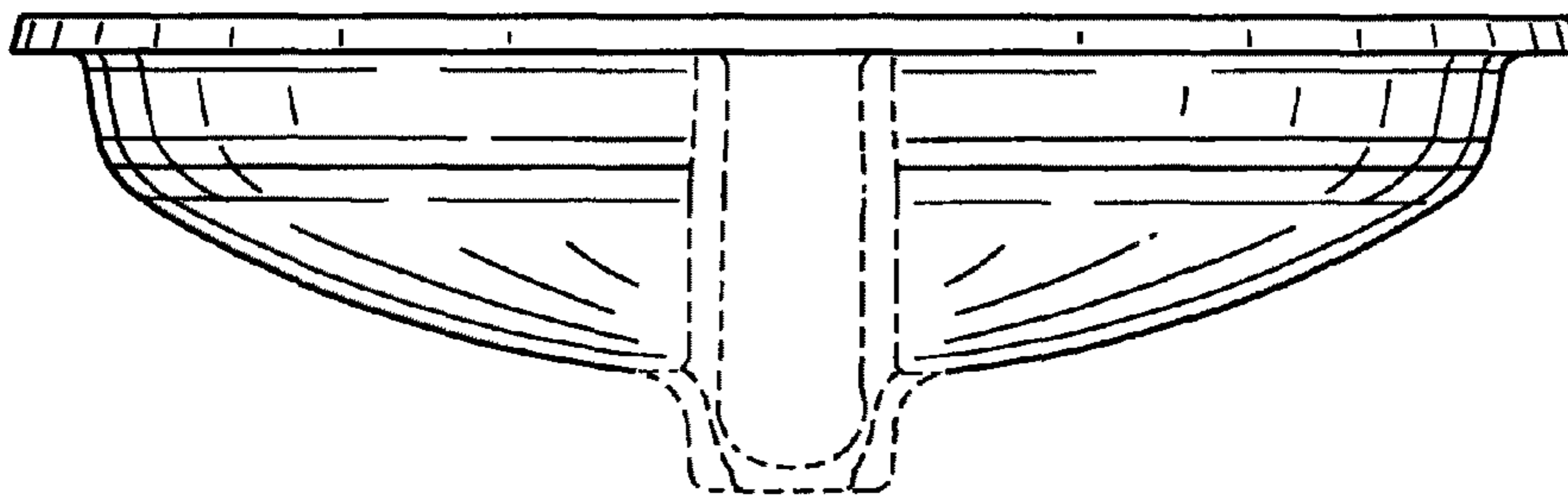


FIG. 13

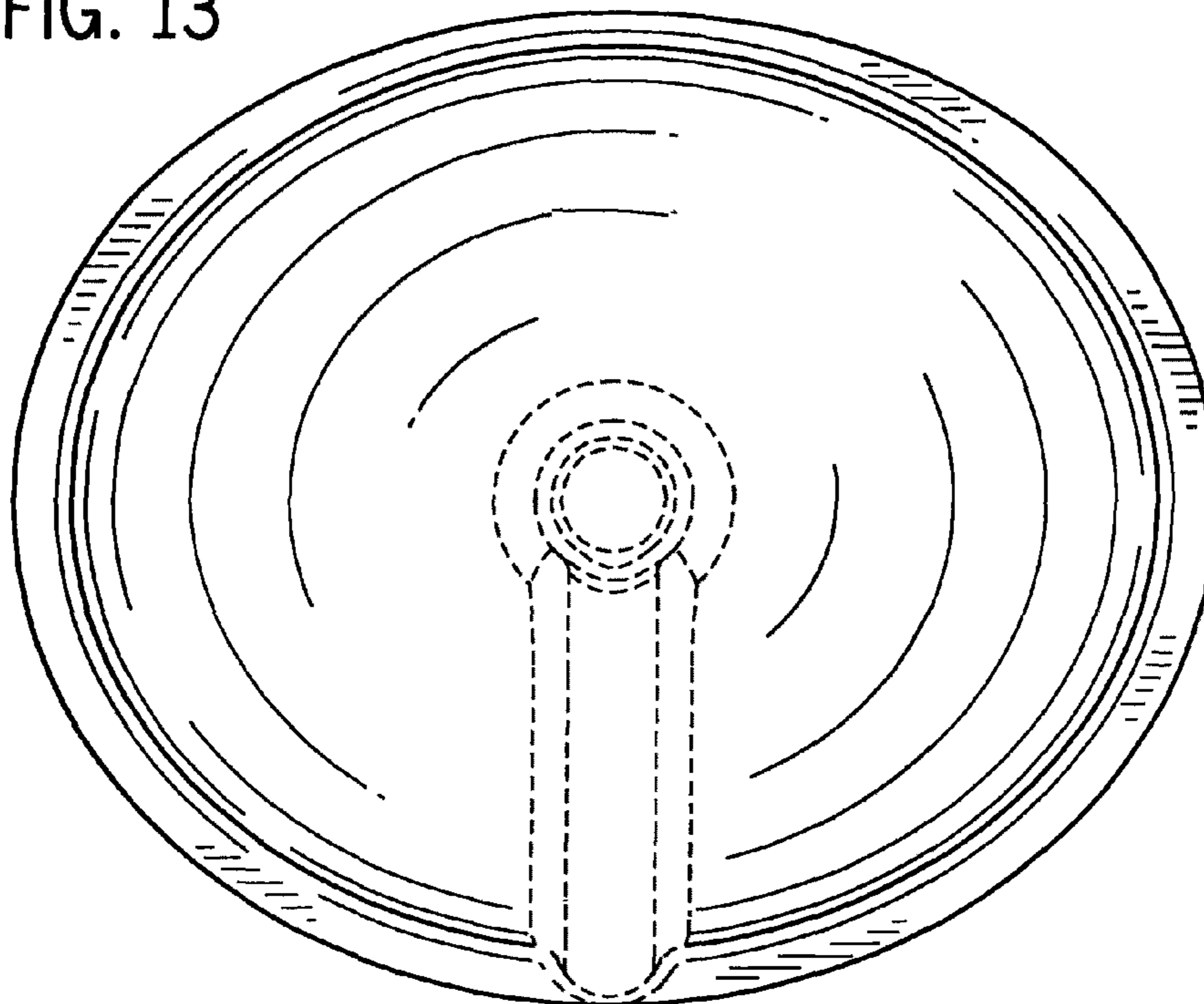




FIG. 14

