



US00D652491S

(12) **United States Design Patent**
Ritchel

(10) **Patent No.:** **US D652,491 S**

(45) **Date of Patent:** **** Jan. 17, 2012**

(54) **MOTORCYCLE GAS TANK SINK**

(76) Inventor: **Roland D. Ritchel**, Independence, MO (US)

(**) Term: **14 Years**

(21) Appl. No.: **29/401,727**

(22) Filed: **Sep. 14, 2011**

(51) **LOC (9) Cl.** **23-02**

(52) **U.S. Cl.** **D23/285**

(58) **Field of Classification Search** D23/284,
D23/285, 293.1, 308; 4/619

See application file for complete search history.

(56) **References Cited**

U.S. PATENT DOCUMENTS

D424,505 S *	5/2000	Hanlon et al.	D12/218
D439,958 S *	4/2001	Golden	D23/284
D470,572 S *	2/2003	Parrette	D23/242
D516,187 S *	2/2006	Parrette	D23/256

OTHER PUBLICATIONS

J&P Cycles, 2008 Harley Catalog, pp. 423-433, 442 (published 2008).

* cited by examiner

Primary Examiner — Robert Delehanty

(74) *Attorney, Agent, or Firm* — Lathrop & Gage LLP

(57) **CLAIM**

The ornamental design for a motorcycle gas tank sink, as shown and described.

DESCRIPTION

FIG. 1 is a perspective view of a motorcycle gas tank sink showing the new design according to one embodiment.

FIG. 2 is a side view of the motorcycle gas tank sink of FIG. 1, with the opposite side being substantially a mirror image of FIG. 2.

FIG. 3 is a top view of the motorcycle gas tank sink of FIG. 1.

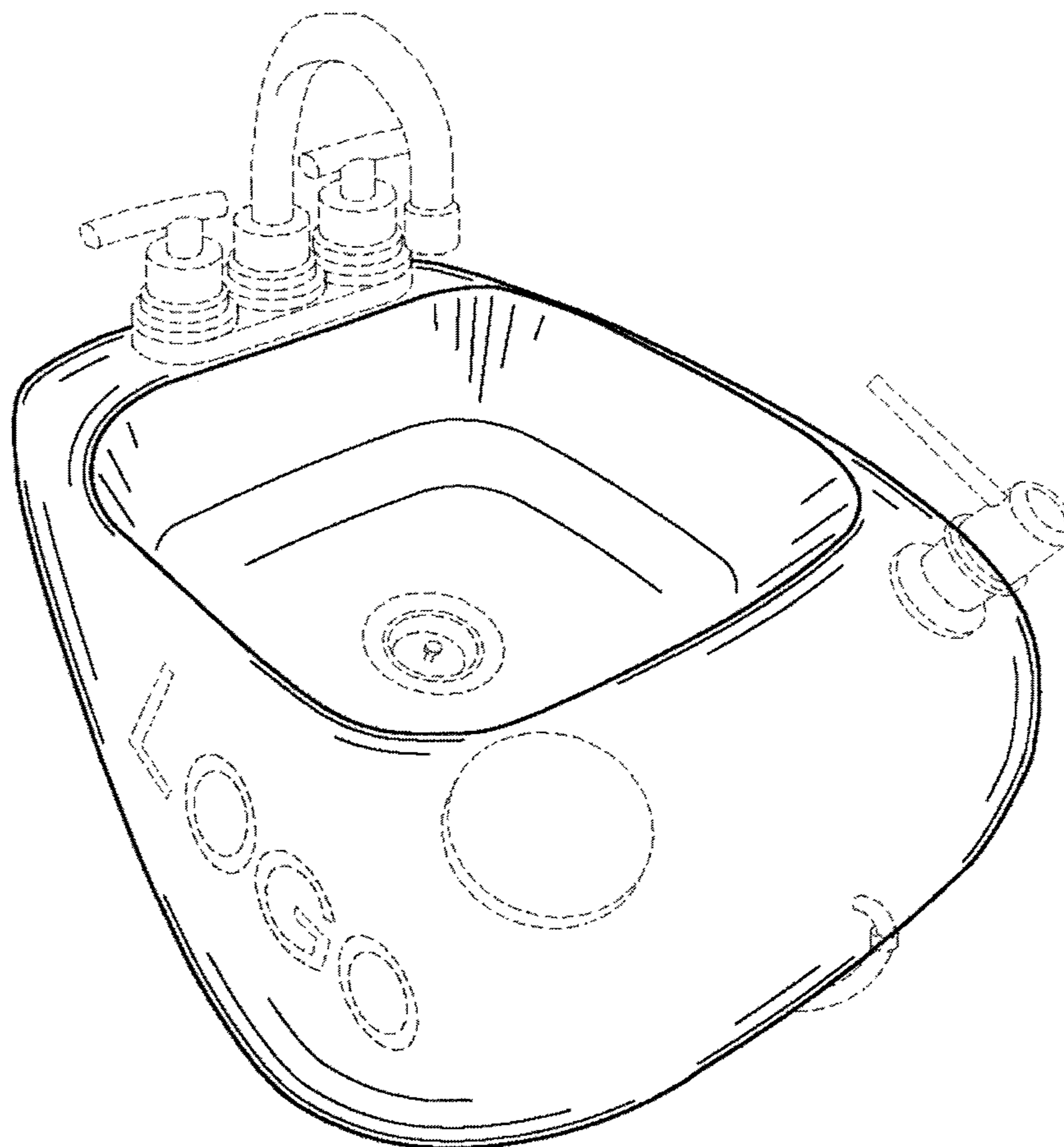
FIG. 4 is a front view of the motorcycle gas tank sink of FIG. 1; and,

FIG. 5 is a bottom view of the motorcycle gas tank sink of FIG. 1.

The rear of the motorcycle gas tank sink of FIG. 1 is flat and devoid of surface ornamentation.

The broken lines in the drawings depict environmental subject matter only and form no part of the claimed design.

1 Claim, 3 Drawing Sheets



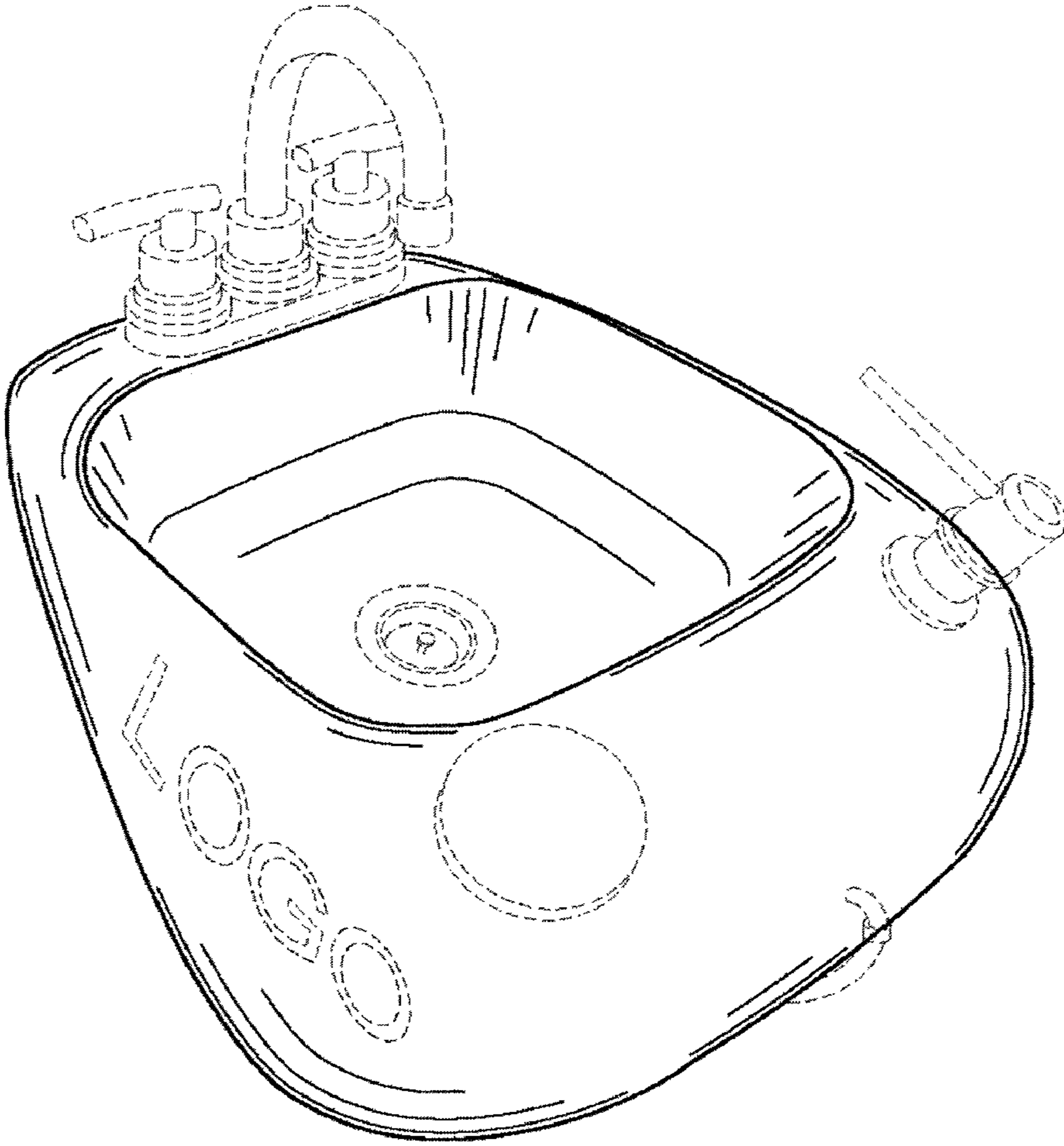


FIG. 1

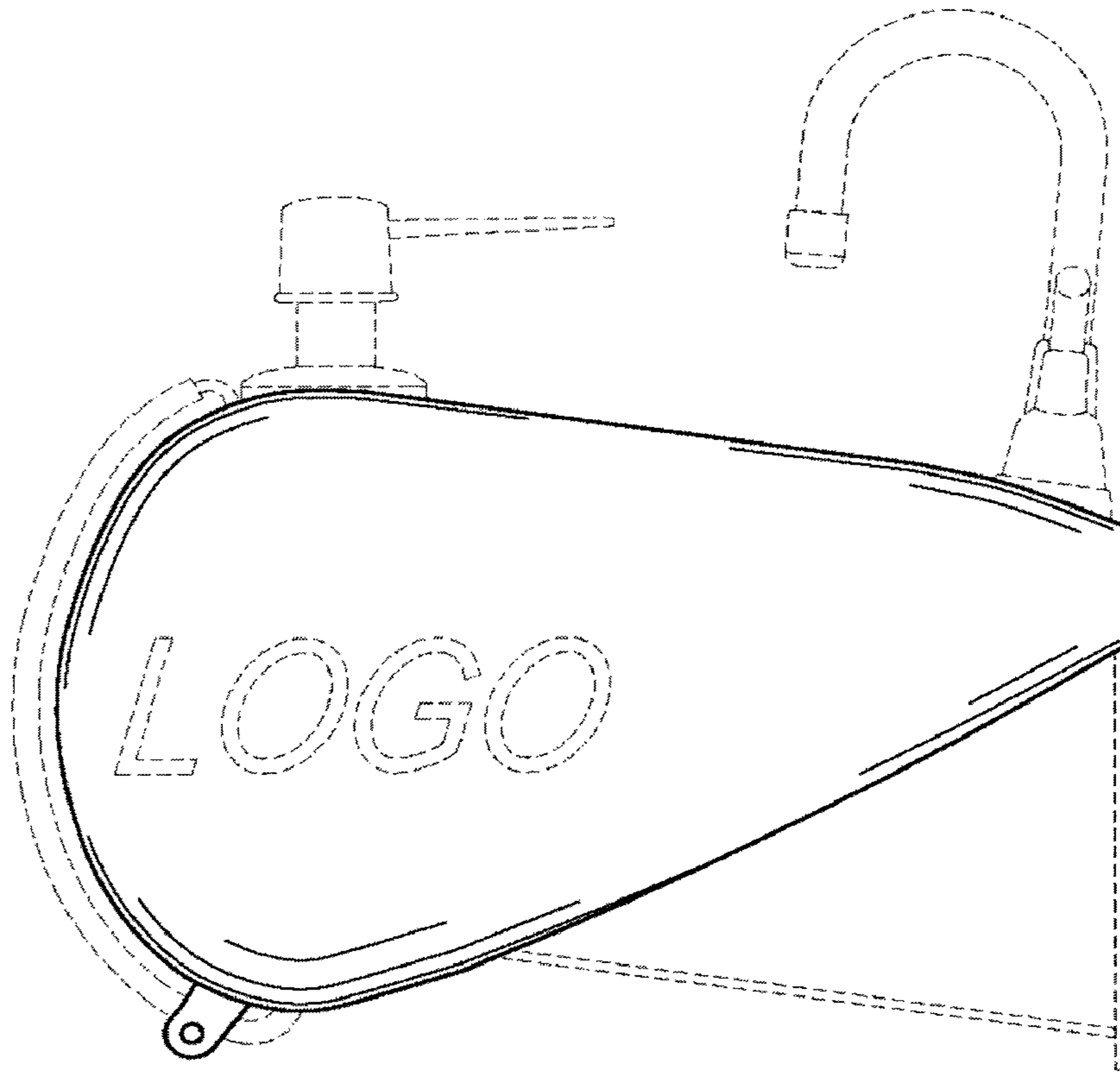


FIG. 2

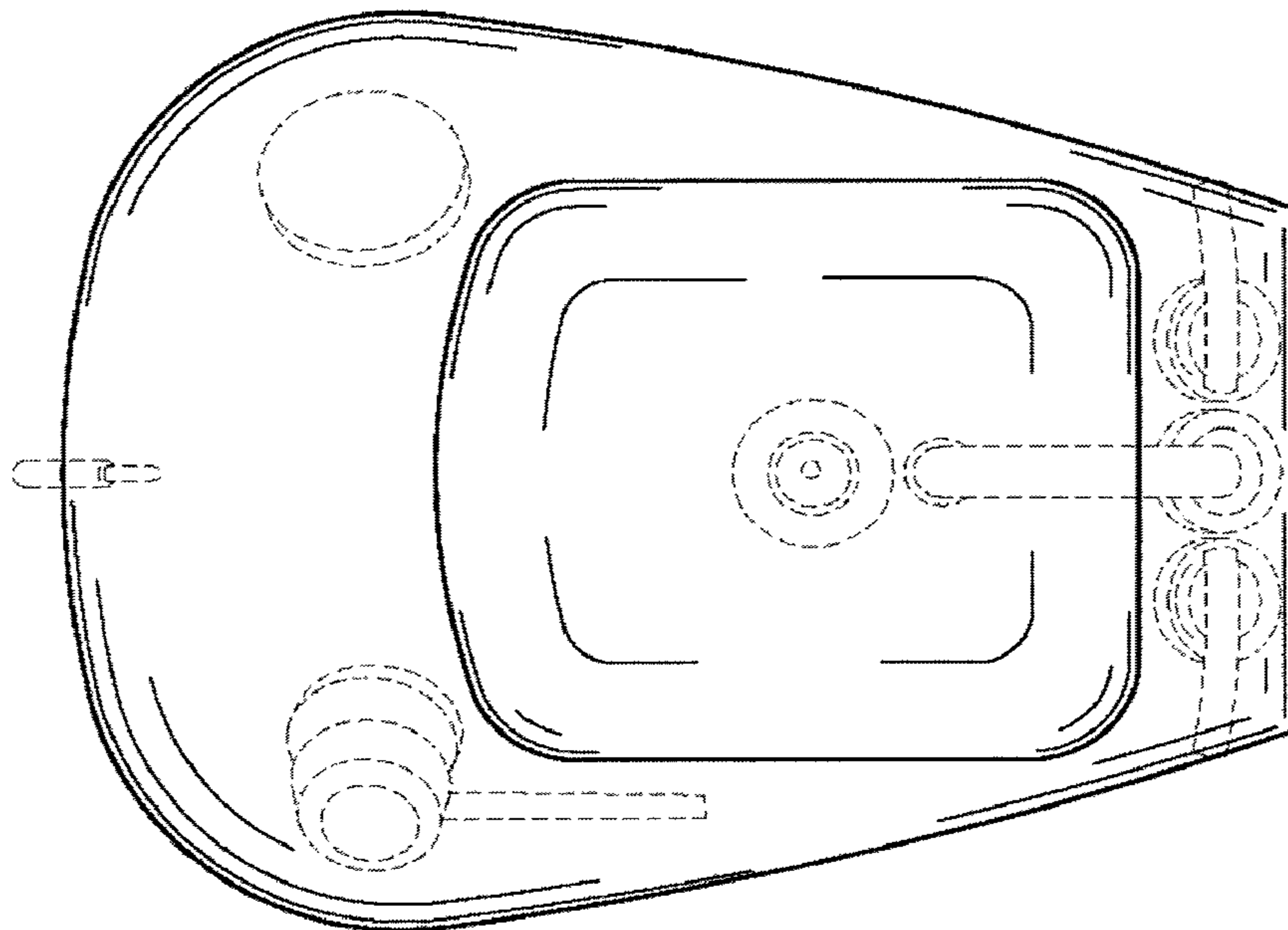


FIG. 3

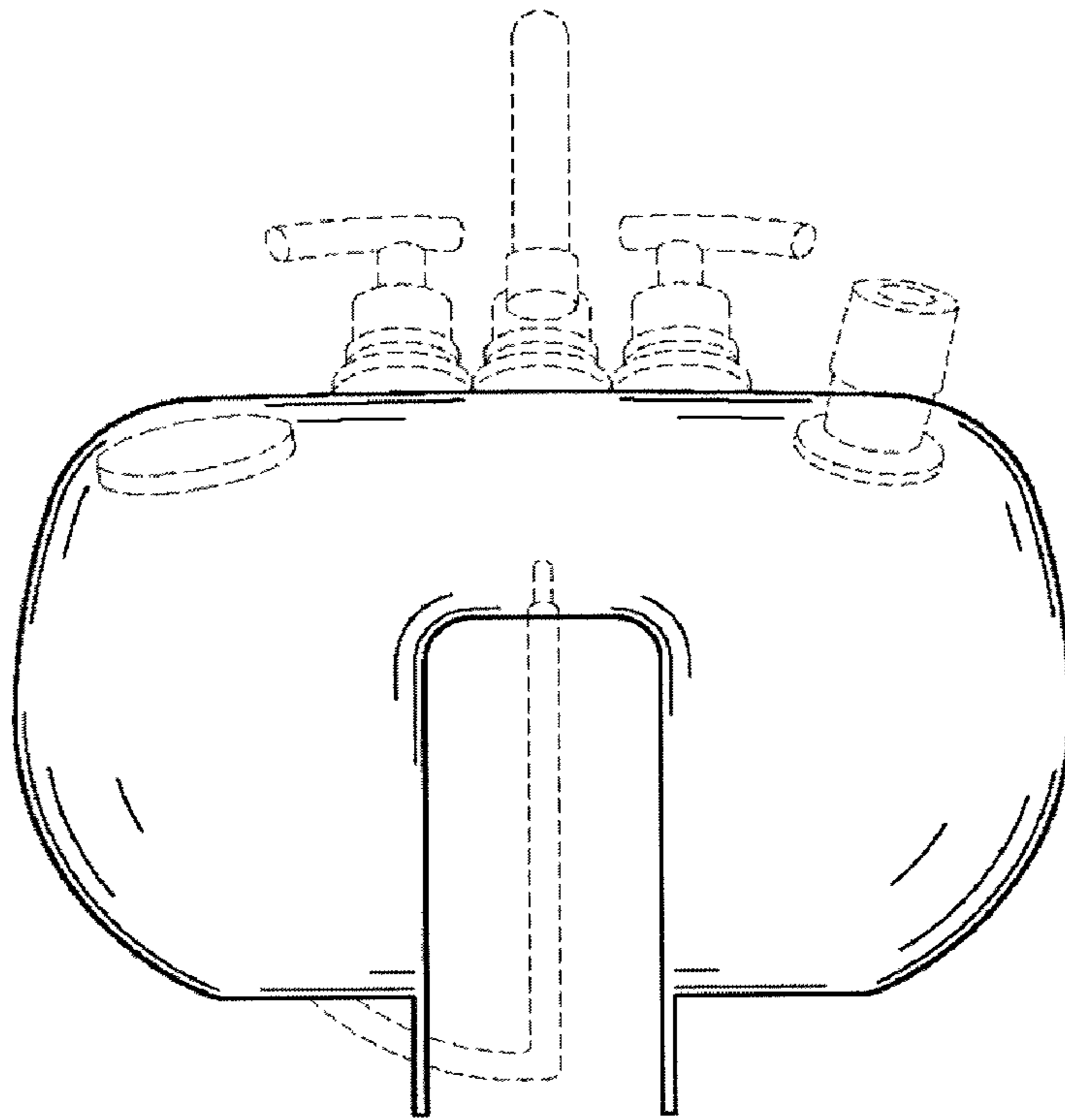


FIG. 4

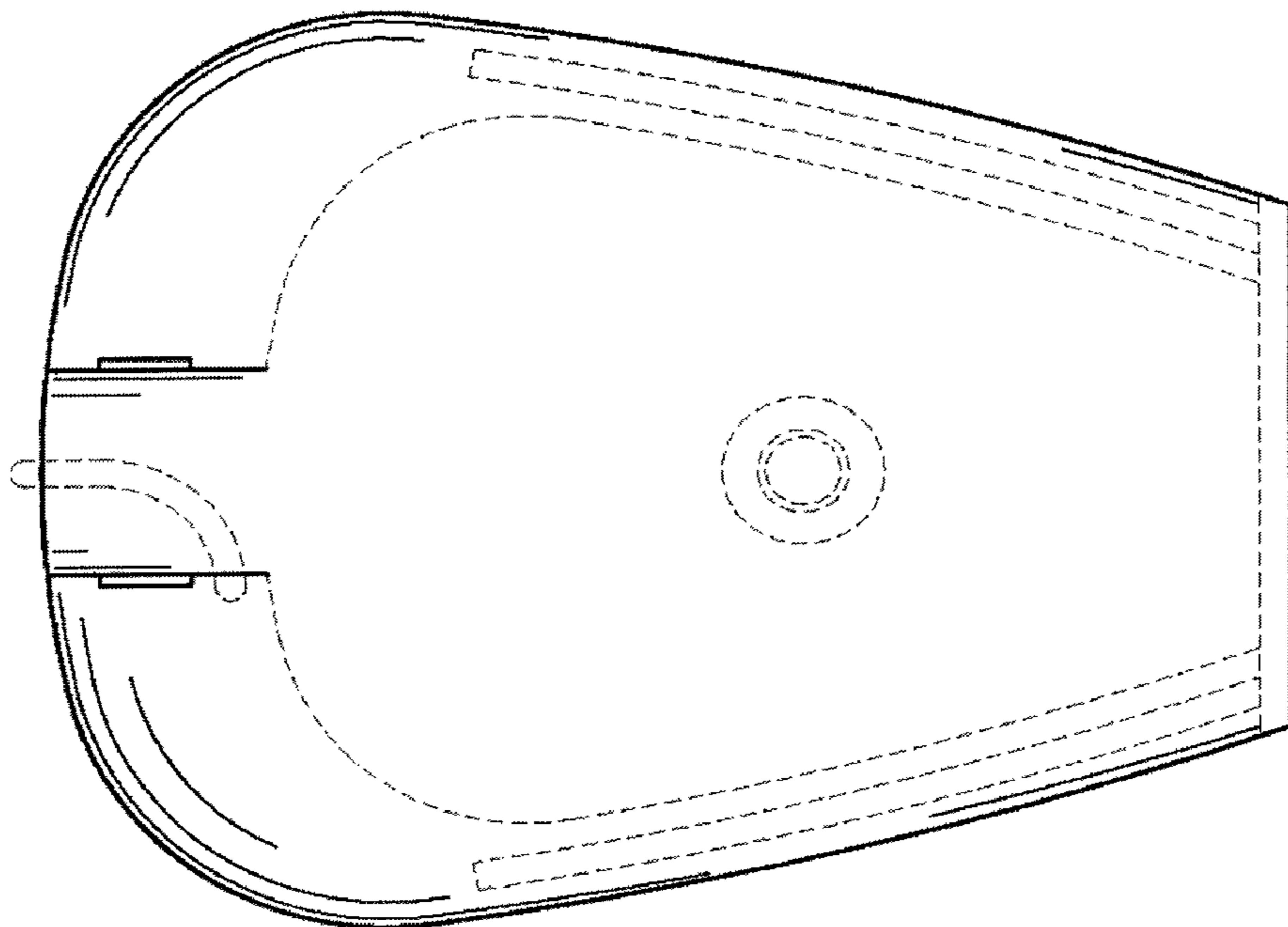


FIG. 5