



US00D652488S

(12) **United States Design Patent**
Slothower et al.

(10) **Patent No.:** **US D652,488 S**
(45) **Date of Patent:** **** Jan. 17, 2012**

(54) **HANDLE**

(75) Inventors: **Anna-Pia Slothower**, Mill Valley, CA (US); **Gregory de Swarte**, Sheboygan, WI (US); **Herbert V. Kohler, Jr.**, Kohler, WI (US)

(73) Assignee: **Kohler Co.**, Kohler, WI (US)

(**) Term: **14 Years**

(21) Appl. No.: **29/382,962**

(22) Filed: **Jan. 10, 2011**

Related U.S. Application Data

(63) Continuation-in-part of application No. 29/375,054, filed on Sep. 16, 2010, now Pat. No. Des. 644,303.

(51) **LOC (9) Cl.** **23-01**

(52) **U.S. Cl.** **D23/252**

(58) **Field of Classification Search** D23/238,
D23/241-243, 250, 252, 255, 257; 4/676-678;
137/801

See application file for complete search history.

(56) **References Cited**

U.S. PATENT DOCUMENTS

D324,412 S *	3/1992	Bonnell	D23/252
D520,604 S *	5/2006	Fritz	D23/241
D566,236 S *	4/2008	Sedwick	D23/238
D569,486 S	5/2008	Fritz et al.		
D624,630 S *	9/2010	Matsuura et al.	D23/255
D634,815 S *	3/2011	Barry	D23/252

OTHER PUBLICATIONS

Kallista. "The Diplomat Series". Kallista Catalog.
Harden. "Harden Finishes". Harden Catalog.
American Standard. "Tropic Deck Mount Tub Filler".
HomePortfolio.com online catalog. Copyright 1997-2011
HomePortfolio, Inc.
Kohler Co. "Faucet". Kohler Co. online catalog. Copyright 2011
Kohler Co.
Moen. "Faucet". Moen online catalog.

Kohler Co. "Stillness Rite-Temp Pressure-Balancing Bath and Shower Faucet". Model No. K-T948-4-CP/K-305-K-NA. Kohler Co. catalog.

American Standard. "Tropic 8' Widespread Bathroom Faucet". Model No. 7038.801.002. Faucet.com online catalog. Copyright 1994-2010.

Jacob Delafon. "Shower Trim". JacobDelafon.com online catalog.
Barclay. "Chess Widespread". HomePortfolio.com online catalog. Copyright 1997-2011 HomePortfolio Inc.

Kohler Co. "Coralais" Centerset Lavatory Faucet. Kohler online catalog.

Kohler Co. "Forte Valve Trim". Model No. K-T10359 and K-T10360. Kohler online catalog.

Kohler Co. "Finesse Series". Kohler catalog. Copyright Apr. 1988.
Notice of Allowance, dated May 20, 2011, for U.S. Appl. No. 29/375,057.

Notice of Allowance, dated May 27, 2011, for U.S. Appl. No. 29/375,054.

* cited by examiner

Primary Examiner — Robert Delehanty

(74) *Attorney, Agent, or Firm* — Foley & Lardner LLP

(57) **CLAIM**

The ornamental design for a handle, as shown and described.

DESCRIPTION

FIG. 1 is a left, top, front perspective view of a handle embodying our new design;

FIG. 2 is a front elevational view thereof;

FIG. 3 is a left side elevational view thereof, the right side elevational view thereof being a mirror image of the left side shown;

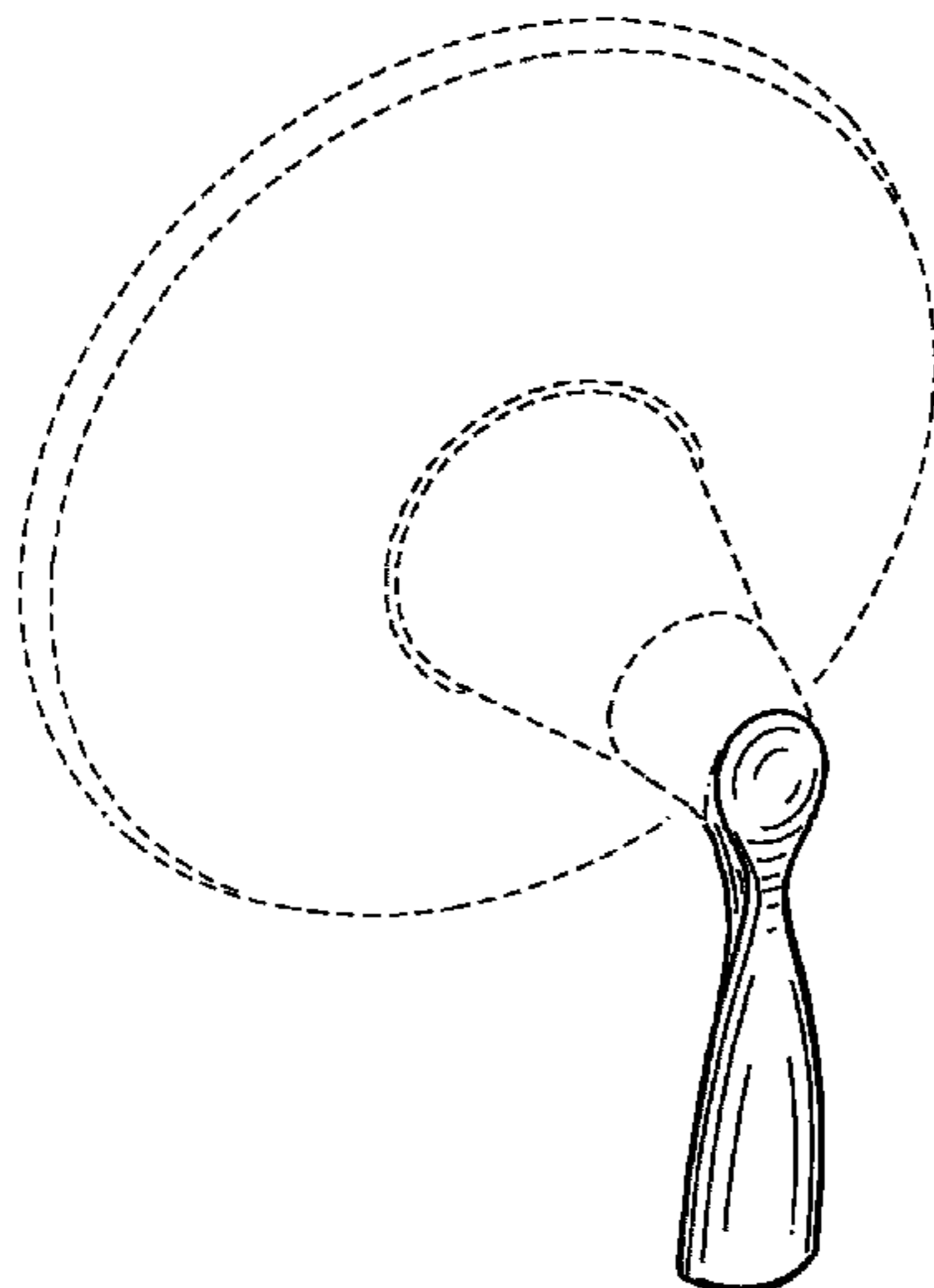
FIG. 4 is a top plan view thereof;

FIG. 5 is a bottom plan view thereof; and,

FIG. 6 is a rear elevational view thereof.

The dash-dash broken lines in the figures are for the purpose of illustrating unclaimed surfaces or environment of the design. The dot-dash-dot broken lines in FIGS. 1, 3 and 5 define unclaimed boundaries of the design. The broken lines are thus not part of the claim.

1 Claim, 3 Drawing Sheets



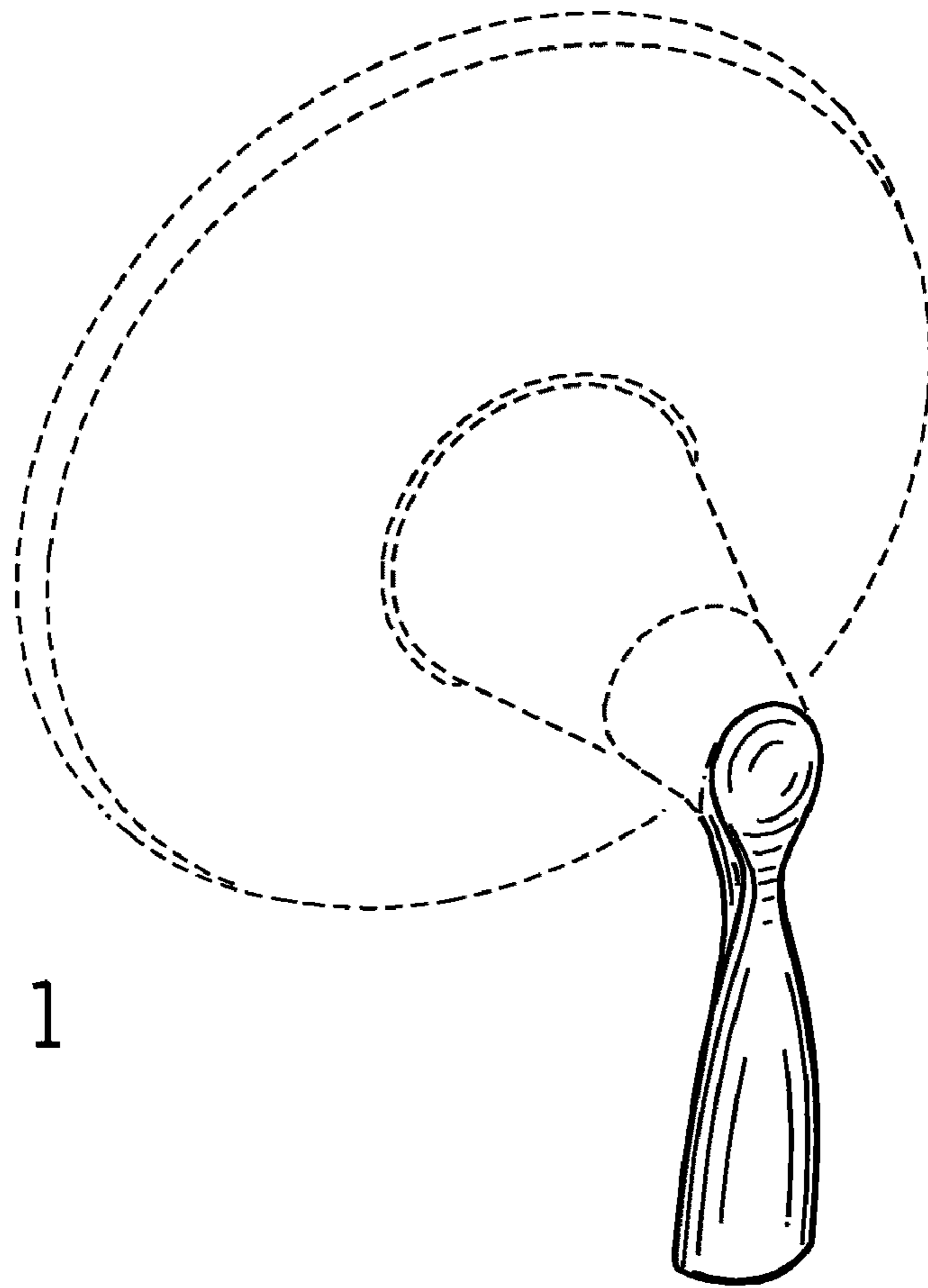


FIG. 1

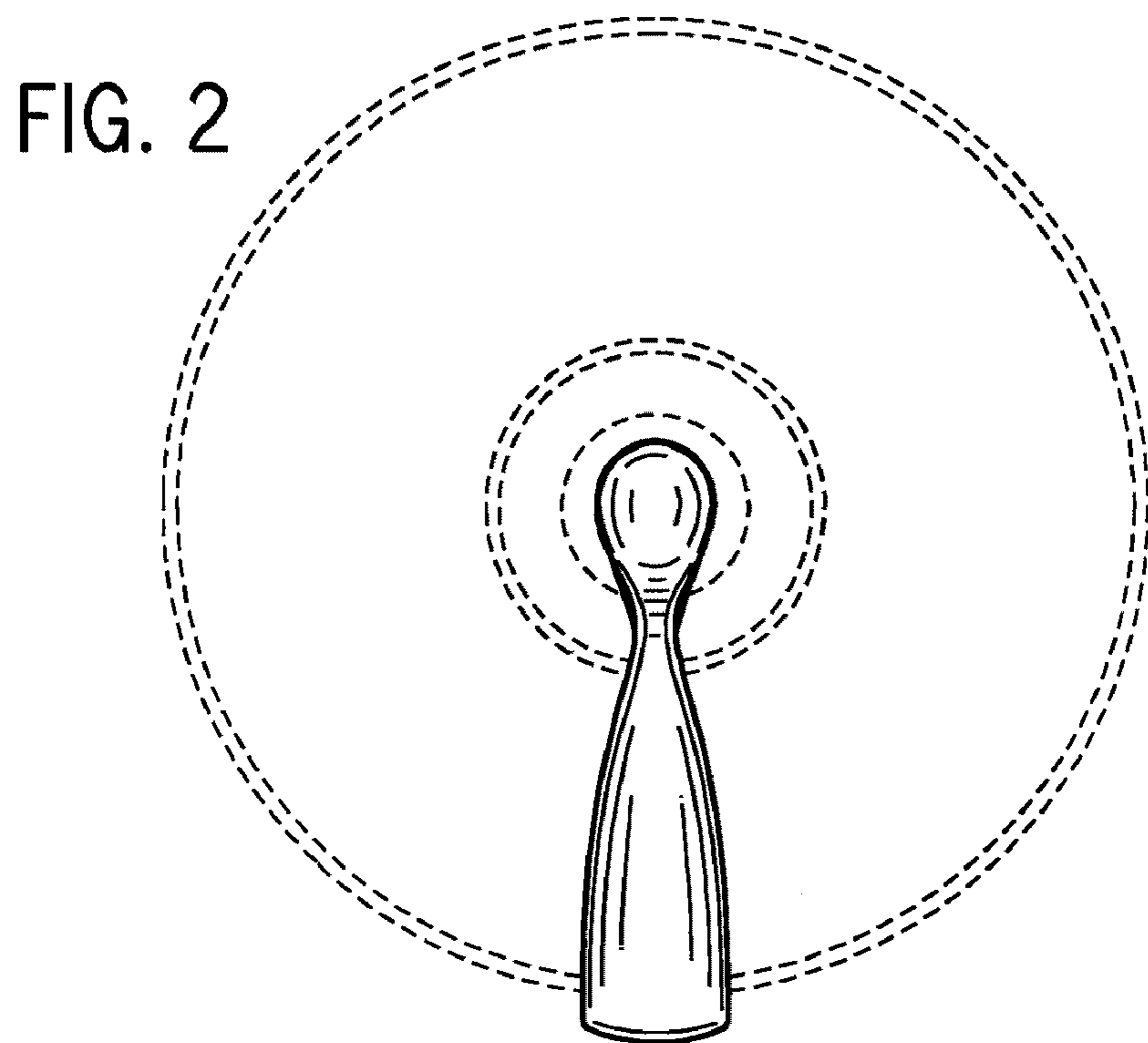


FIG. 2

FIG. 3

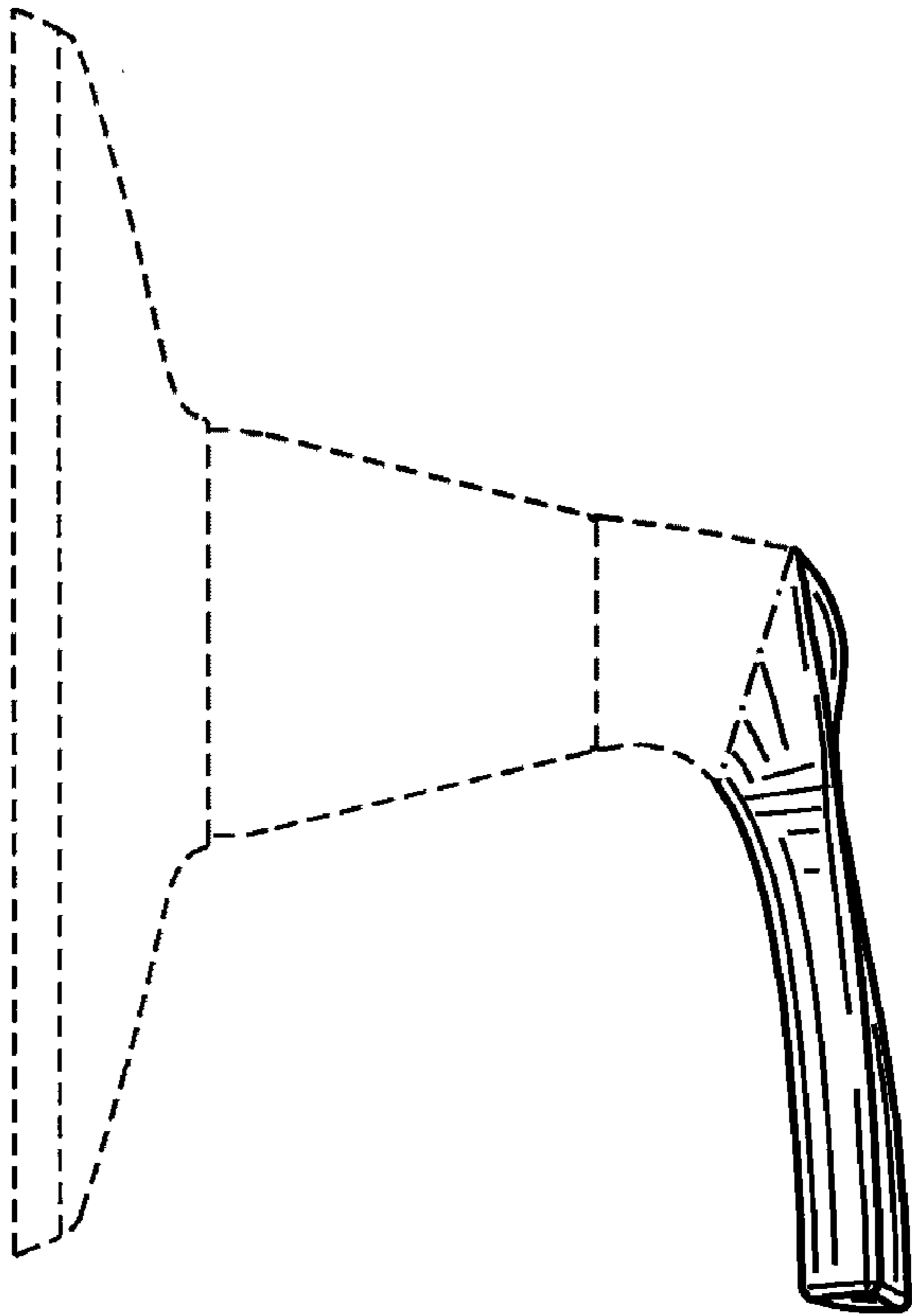


FIG. 4

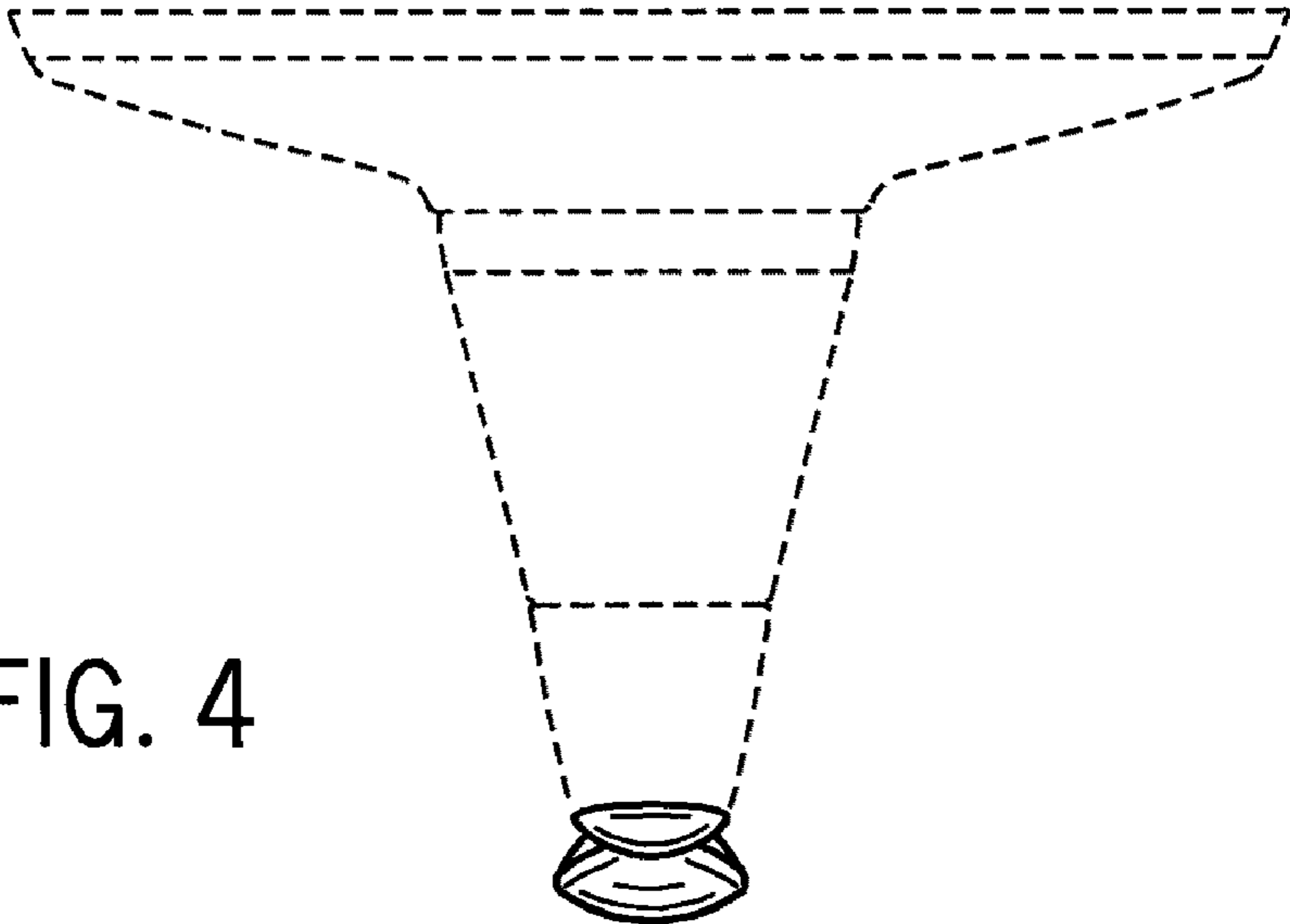


FIG. 5

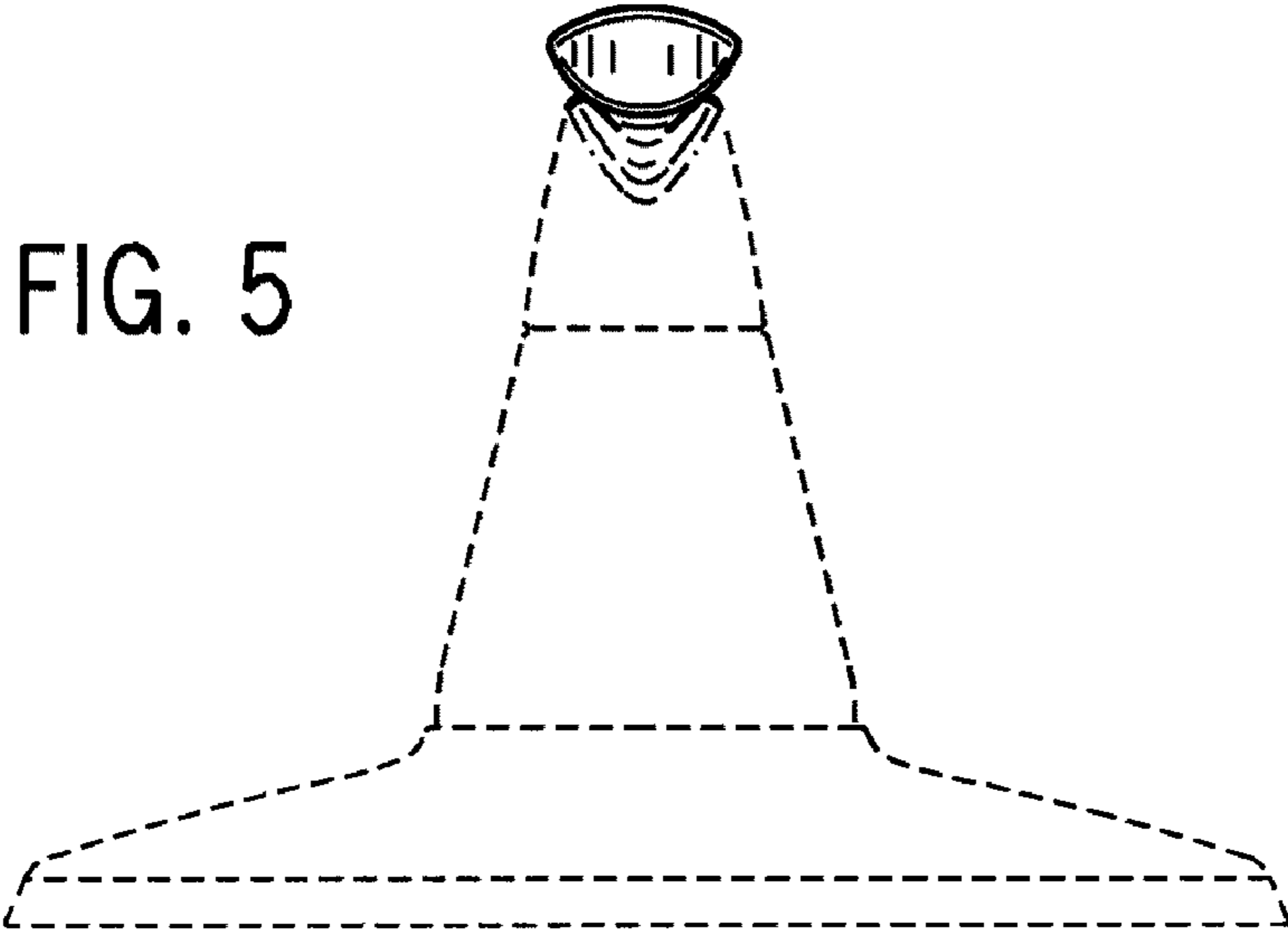


FIG. 6

