



US00D652485S

(12) **United States Design Patent**
Nies et al.

(10) **Patent No.:** **US D652,485 S**
(45) **Date of Patent:** **** Jan. 17, 2012**

(54) **SPRINKLER BASE UNIT**
(75) Inventors: **Juergen Nies**, Winchester, VA (US); **Ha Van Duong**, Winchester, VA (US); **Richard King Boyle**, Winchester, VA (US); **Vicky Ann Michael**, Winchester, VA (US); **James Daniel Carter**, Gerrardstown, WV (US); **Sean Svendsen**, Columbus, OH (US); **Nate Durflinger**, Columbus, OH (US); **Todd Mendoza**, Dublin, OH (US); **Eric Fickas**, Powell, OH (US)

5,526,982 A 6/1996 McKenzie
D371,596 S 7/1996 Simonetti
5,645,218 A 7/1997 Heren et al.
5,657,928 A 8/1997 Jian
D383,193 S 9/1997 Heren et al.
D387,127 S 12/1997 Guo
D422,052 S 3/2000 Heren
D422,681 S 4/2000 Heren
6,062,490 A 5/2000 Katzer et al.
D427,281 S 6/2000 Guo
6,135,356 A 10/2000 Mitzlaff et al.

(Continued)

FOREIGN PATENT DOCUMENTS

(73) Assignee: **Melnor, Inc.**, Winchester, VA (US)

DE 354 983 C 6/1922

(Continued)

(**) Term: **14 Years**

OTHER PUBLICATIONS

(21) Appl. No.: **29/389,319**

Search Report issued in corresponding European Application No. 07405258.0-2425 dated Nov. 27, 2001.

(22) Filed: **Apr. 8, 2011**

(Continued)

(51) **LOC (9) Cl.** **23-01**

(52) **U.S. Cl.** **D23/221**

(58) **Field of Classification Search** D23/214,
D23/216, 221; 239/242, 273, 276
See application file for complete search history.

Primary Examiner — Robin V Webster

(74) *Attorney, Agent, or Firm* — Westerman, Hattori, Daniels & Adrian, LLP

(56) **References Cited**

(57) **CLAIM**

The ornamental design for a sprinkler base unit, as shown and described.

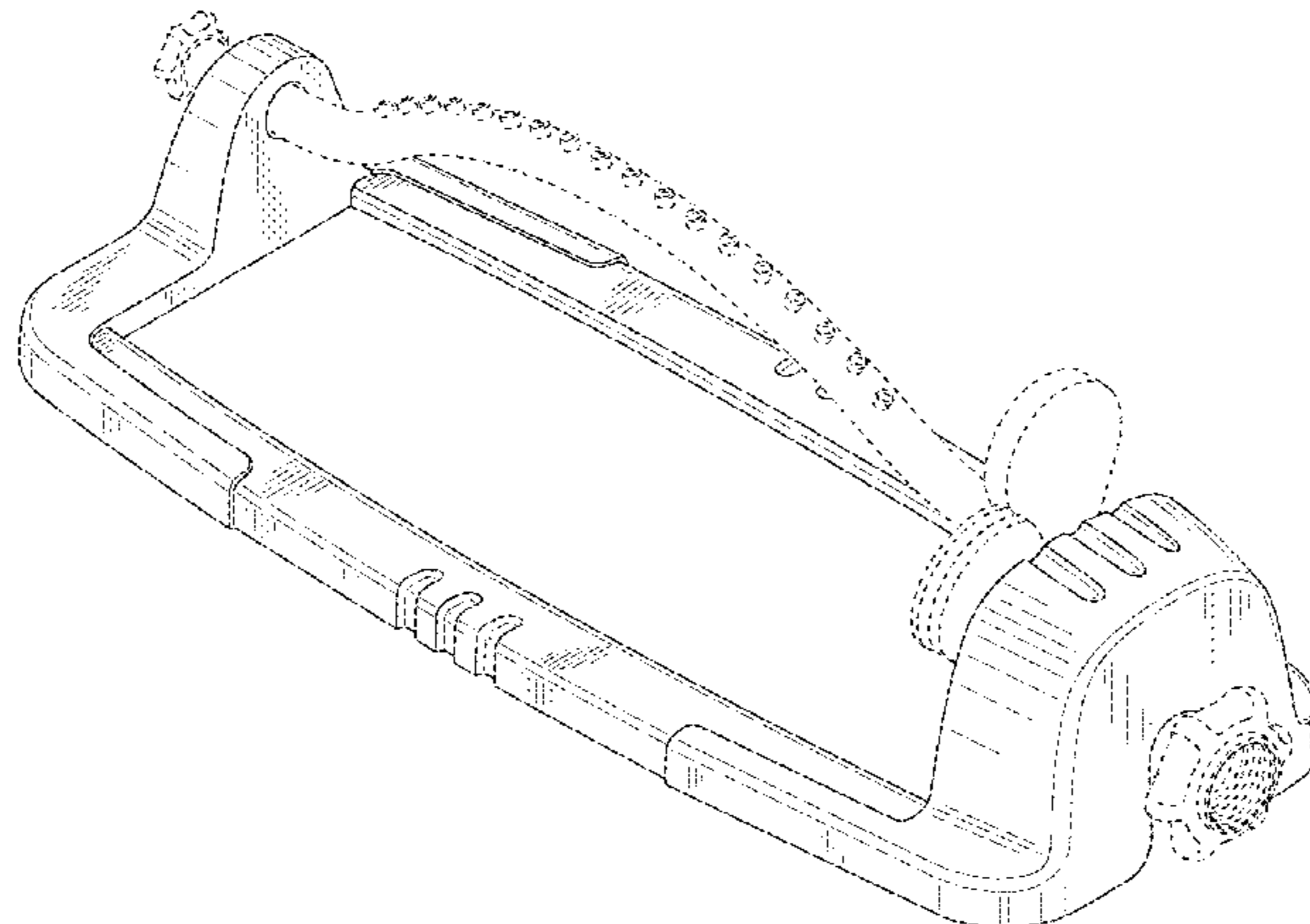
U.S. PATENT DOCUMENTS

DESCRIPTION

D165,756 S 1/1952 Ingham et al.
D178,782 S 9/1956 Jepson et al.
2,952,413 A 9/1960 Jepson
3,498,543 A 3/1970 Gilmour
D218,970 S 10/1970 Mango et al.
D218,971 S 10/1970 Mango et al.
3,559,888 A 2/1971 Miklos
3,647,140 A 3/1972 Perrot et al.
3,827,637 A 8/1974 Stephany et al.
3,854,665 A 12/1974 Rodgers
4,905,903 A 3/1990 Katzer et al.
5,033,678 A 7/1991 Borghese et al.
5,305,956 A 4/1994 Wang
5,350,115 A 9/1994 Burnworth et al.
D351,214 S * 10/1994 Clivio D23/216
D355,476 S * 2/1995 Schon D23/214
D366,308 S 1/1996 Goodman et al.

FIG. 1 is a right, front perspective view of a sprinkler base unit;
FIG. 2 is a right side view thereof;
FIG. 3 is a left side view thereof;
FIG. 4 is a front end view thereof;
FIG. 5 is a back end view thereof;
FIG. 6 is a top plan view thereof; and,
FIG. 7 is a bottom plan view thereof.
The broken lines illustrate environmental structure and form no part of the claimed design.

1 Claim, 7 Drawing Sheets



US D652,485 S

Page 2

U.S. PATENT DOCUMENTS

D440,629 S * 4/2001 Guo D23/216
D447,537 S 9/2001 Chao
D447,538 S 9/2001 Chao
D458,983 S 6/2002 Chen
D459,436 S 6/2002 Chao
6,478,241 B1 * 11/2002 Guo 239/562
D469,849 S 2/2003 Nien
D470,218 S 2/2003 Alkalay et al.
6,520,430 B2 2/2003 Chao
D479,574 S 9/2003 Nien
D500,122 S * 12/2004 Schapper D23/221
D540,429 S * 4/2007 Barmore D23/221
D541,376 S 4/2007 Barmore
7,284,714 B1 10/2007 Wang et al.
D554,736 S 11/2007 Cheng
D554,737 S 11/2007 Lo
D554,739 S 11/2007 Lo
D554,740 S 11/2007 Lo
D555,220 S 11/2007 Flaherty
D555,228 S 11/2007 Cheng
D557,740 S 12/2007 Bharna
D559,352 S 1/2008 Lo
7,389,950 B2 6/2008 Lo
D584,579 S 1/2009 Vendl
7,484,698 B2 2/2009 Budagher
7,490,808 B2 2/2009 Lemirande
7,491,155 B2 2/2009 Fenelon et al.
D587,492 S 3/2009 Gusdorf
D587,518 S 3/2009 Courington et al.
D588,414 S 3/2009 Verghese
D589,275 S 3/2009 Kubryk
D589,652 S 3/2009 Nip
7,497,332 B1 3/2009 Schwimmer
7,497,726 B2 3/2009 Wang et al.
7,503,462 B2 3/2009 Vroon
7,506,757 B1 3/2009 Ater et al.
7,510,089 B2 3/2009 Killinger et al.

7,513,365 B2 4/2009 Cornelius et al.
D592,874 S 5/2009 Solomon
7,529,096 B2 5/2009 Lin et al.
7,536,840 B2 5/2009 Ours et al.
7,537,119 B2 5/2009 Becklin
D597,628 S 8/2009 Goetz
7,607,590 B2 10/2009 Nies
D613,371 S * 4/2010 Nies et al. D23/221
D615,610 S * 5/2010 Cheng D23/221
D615,612 S * 5/2010 Cheng D23/221
D616,063 S * 5/2010 Cheng D23/221
D618,307 S * 6/2010 Nies et al. D23/221
2008/0054103 A1 3/2008 Nies et al.

FOREIGN PATENT DOCUMENTS

DE 733 188 3/1943
DE 1 926 735 B 12/1970
DE 30 44 310 A1 6/1982
DE 30 44 310 C2 9/1984
DE 36 29 696 A1 3/1988
DE 36 29 696 C2 1/1989
DE 37 25 384 A1 2/1989
DE 40 34 695 A1 5/1991
DE 296 05 046 U1 6/1996
FR 2 748 367 A3 11/1997
GB 2 322 572 A 2/1998
GB 2 417 699 A 3/2006
WO 95/17262 A2 6/1995
WO 95/17262 A3 6/1995

OTHER PUBLICATIONS

melnor.com/sprinklers-oscillating.php, Online Catalog of Oscillating Sprinklers, 2009, pp. 1-2.
melnor.com/sprinklers-oscillating.php, Time-A-Matic Sprinklers, Online Catalog of Oscillating Sprinklers, 2009, p. 1.

* cited by examiner

FIG. 1

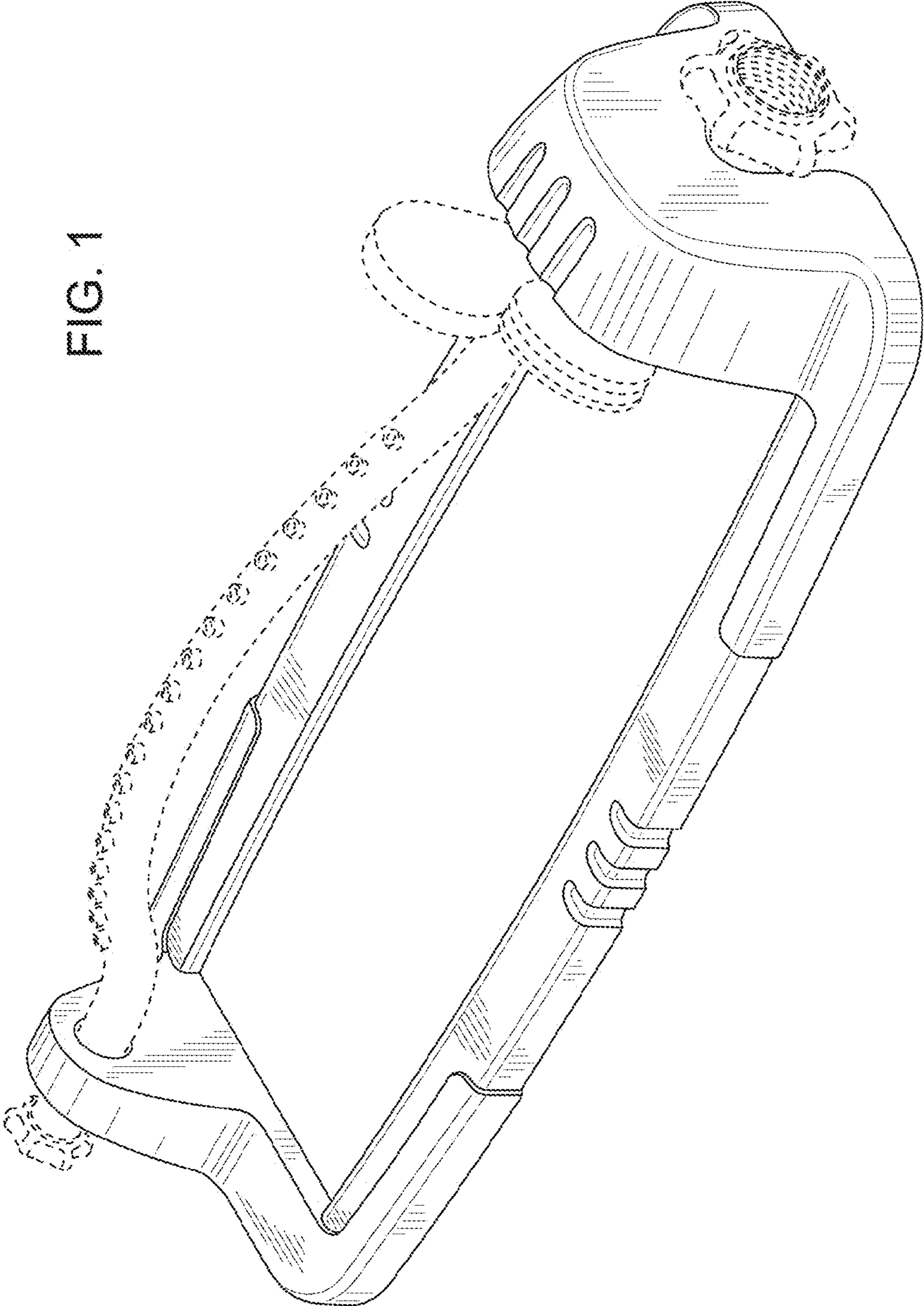


FIG. 2

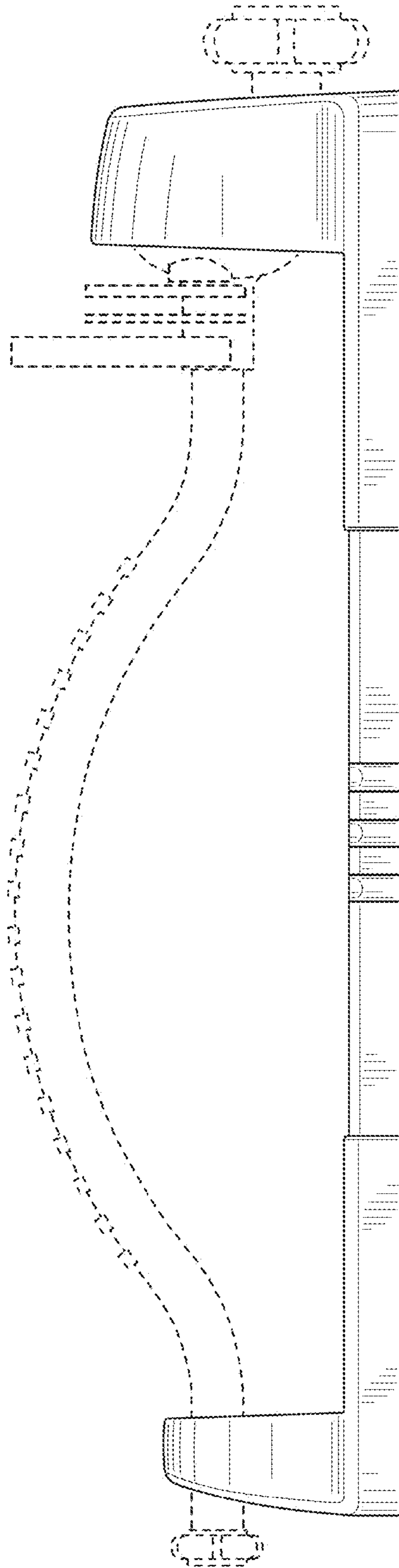


FIG. 3

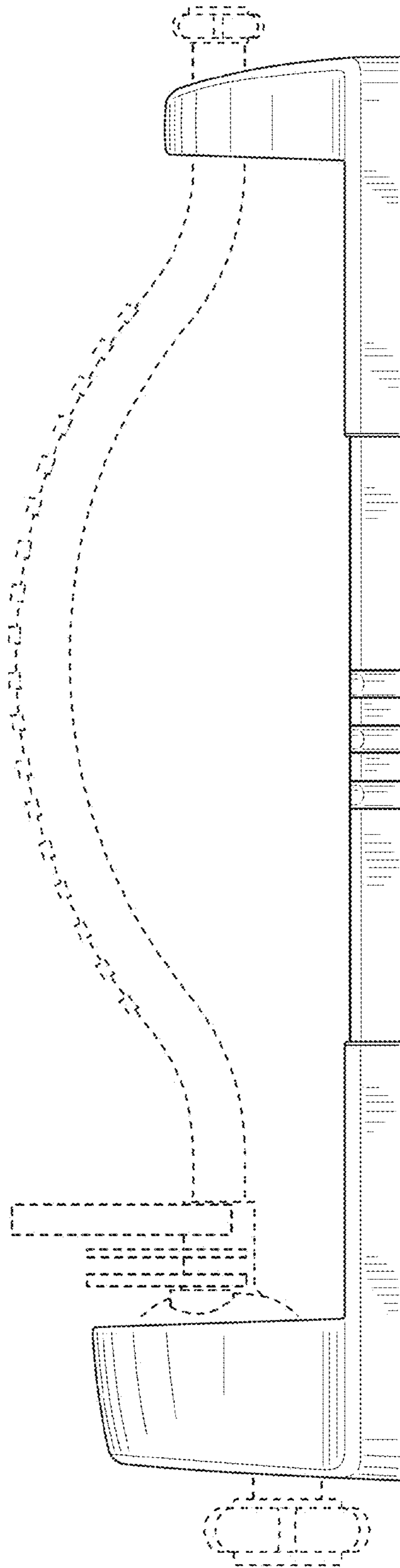


FIG. 4

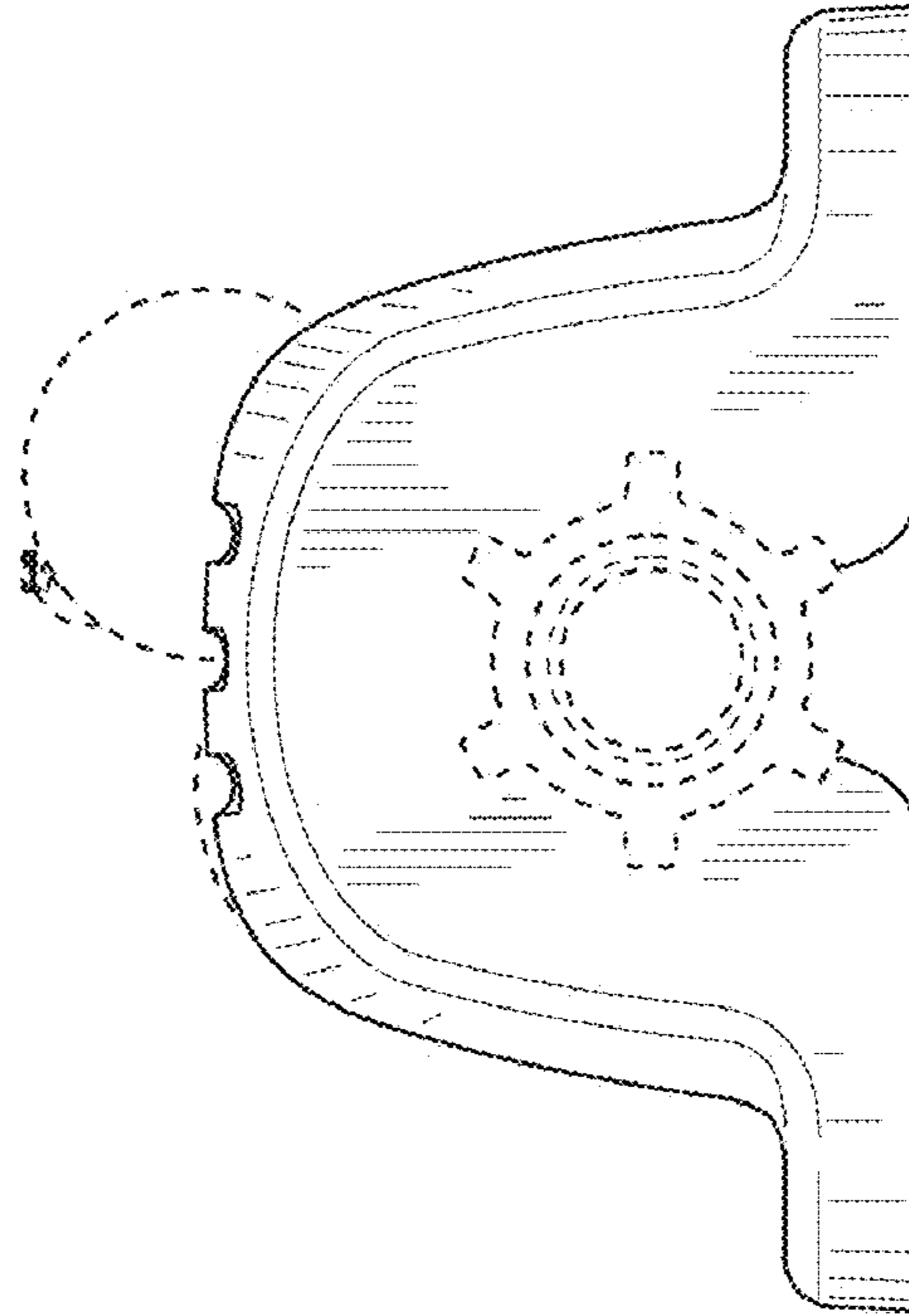


FIG. 5

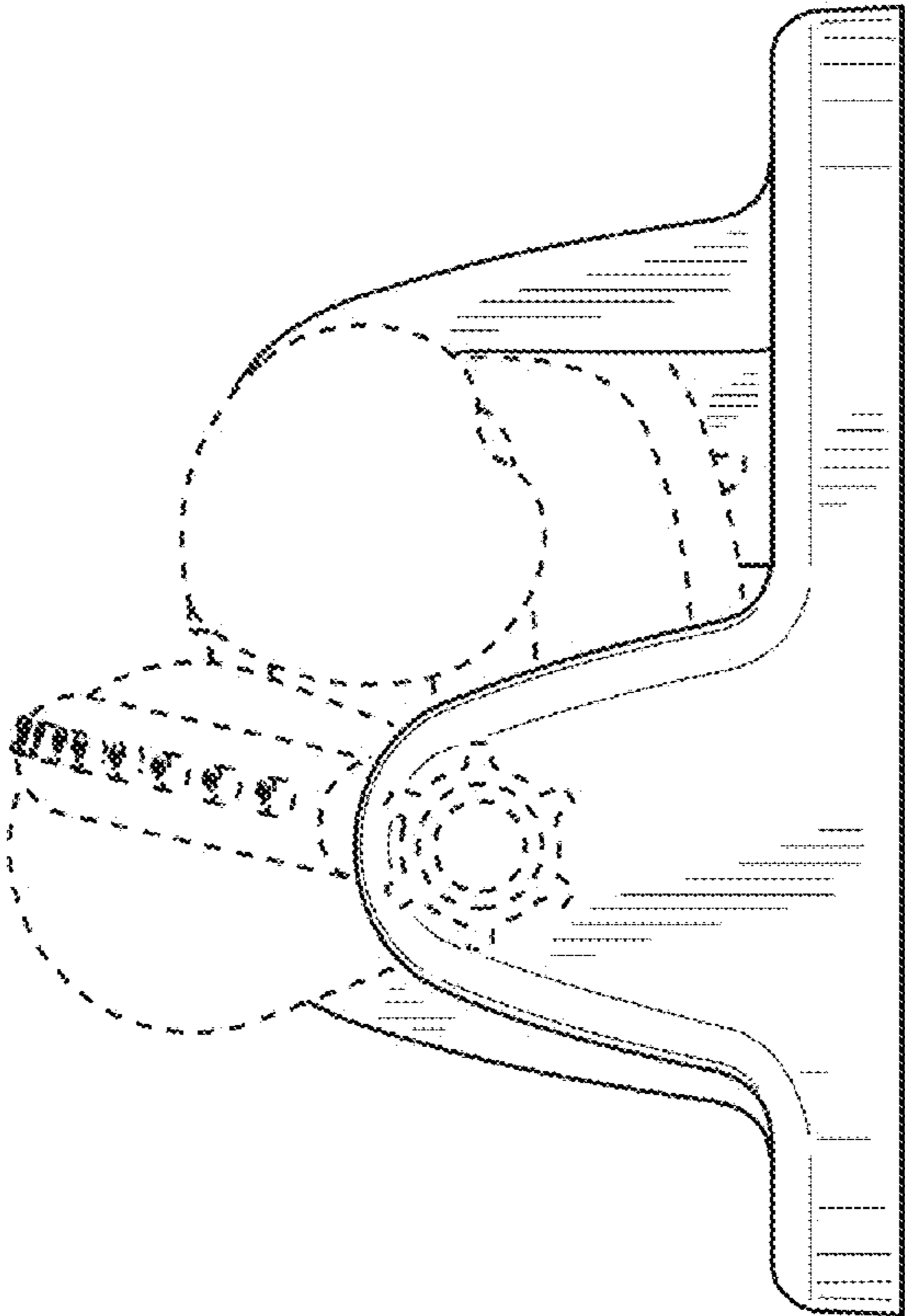


FIG. 6

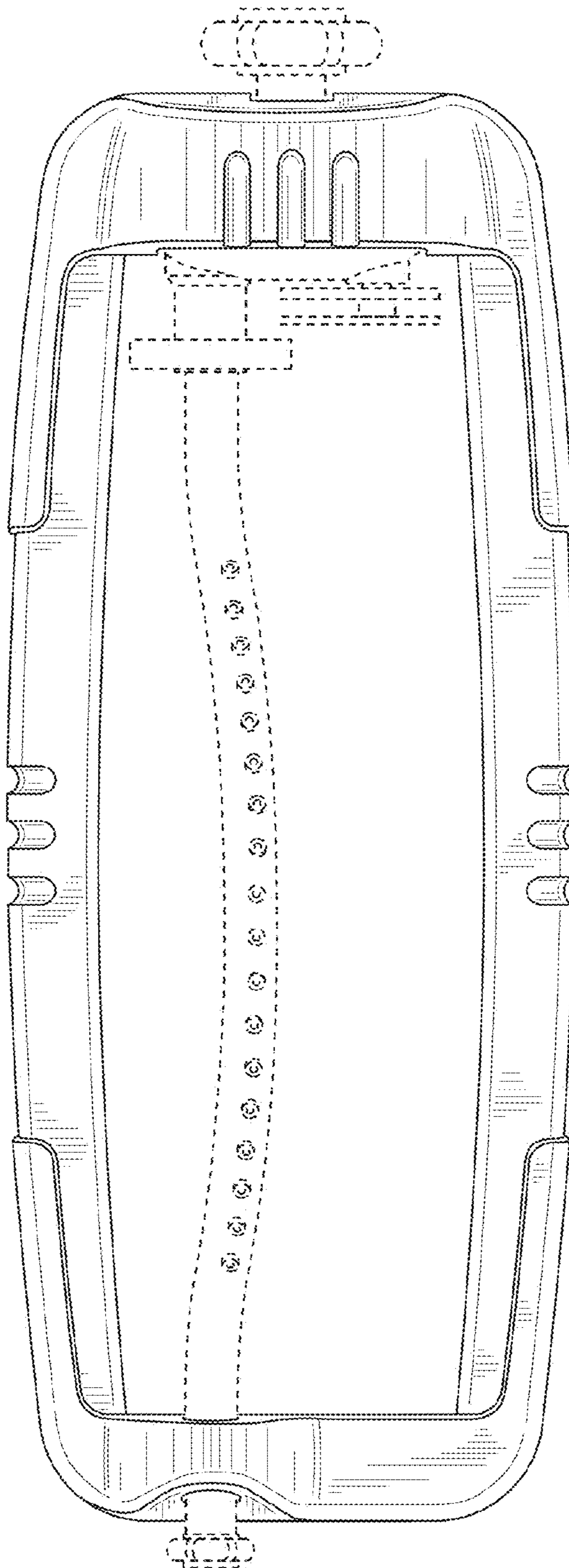


FIG. 7

