



US00D652483S

(12) **United States Design Patent**  
**Nies et al.**

(10) **Patent No.:** **US D652,483 S**  
(45) **Date of Patent:** **\*\* Jan. 17, 2012**

(54) **SPRINKLER BASE UNIT**  
(75) Inventors: **Juergen Nies**, Winchester, VA (US); **Ha Van Duong**, Winchester, VA (US); **Richard King Boyle**, Winchester, VA (US); **Vicky Ann Michael**, Winchester, VA (US); **James Daniel Carter**, Gerrardstown, WV (US); **Sean Svendsen**, Columbus, OH (US); **Nate Durflinger**, Columbus, OH (US); **Todd Mendoza**, Dublin, OH (US); **Eric Fickas**, Powell, OH (US)

5,526,982 A 6/1996 McKenzie  
D371,596 S 7/1996 Simonetti  
5,645,218 A 7/1997 Heren et al.  
5,657,928 A 8/1997 Jian  
D383,193 S 9/1997 Heren et al.  
D387,127 S 12/1997 Guo  
D422,052 S 3/2000 Heren  
D422,681 S 4/2000 Heren  
6,062,490 A 5/2000 Katzer et al.  
D427,281 S 6/2000 Guo  
6,135,356 A 10/2000 Mitzlaff et al.

(Continued)

(73) Assignee: **Melnor, Inc.**, Winchester, VA (US)

(\*\*) Term: **14 Years**

(21) Appl. No.: **29/389,316**

(22) Filed: **Apr. 8, 2011**

(51) **LOC (9) Cl.** ..... **23-01**

(52) **U.S. Cl.** ..... **D23/221**

(58) **Field of Classification Search** ..... D23/214,  
D23/216, 221; 239/242, 273, 276  
See application file for complete search history.

(56) **References Cited**

U.S. PATENT DOCUMENTS

D165,756 S 1/1952 Ingham et al.  
D178,782 S 9/1956 Jepson et al.  
2,952,413 A 9/1960 Jepson  
3,498,543 A 3/1970 Gilmour  
D218,970 S 10/1970 Mango et al.  
D218,971 S 10/1970 Mango et al.  
3,559,888 A 2/1971 Miklos  
3,647,140 A 3/1972 Perrot et al.  
3,827,637 A 8/1974 Stephany et al.  
3,854,665 A 12/1974 Rodgers  
4,905,903 A 3/1990 Katzer et al.  
5,033,678 A 7/1991 Borghese et al.  
5,305,956 A 4/1994 Wang  
5,350,115 A 9/1994 Burnworth et al.  
D351,214 S \* 10/1994 Clivio ..... D23/216  
D355,476 S \* 2/1995 Schon ..... D23/214  
D366,308 S 1/1996 Goodman et al.

FOREIGN PATENT DOCUMENTS

DE 354 983 C 6/1922

(Continued)

OTHER PUBLICATIONS

Search Report issued in corresponding European Application No. 07405258.0-2425 dated Nov. 27, 2001.

(Continued)

*Primary Examiner* — Robin V Webster

(74) *Attorney, Agent, or Firm* — Westerman, Hattori, Daniels & Adrian, LLP

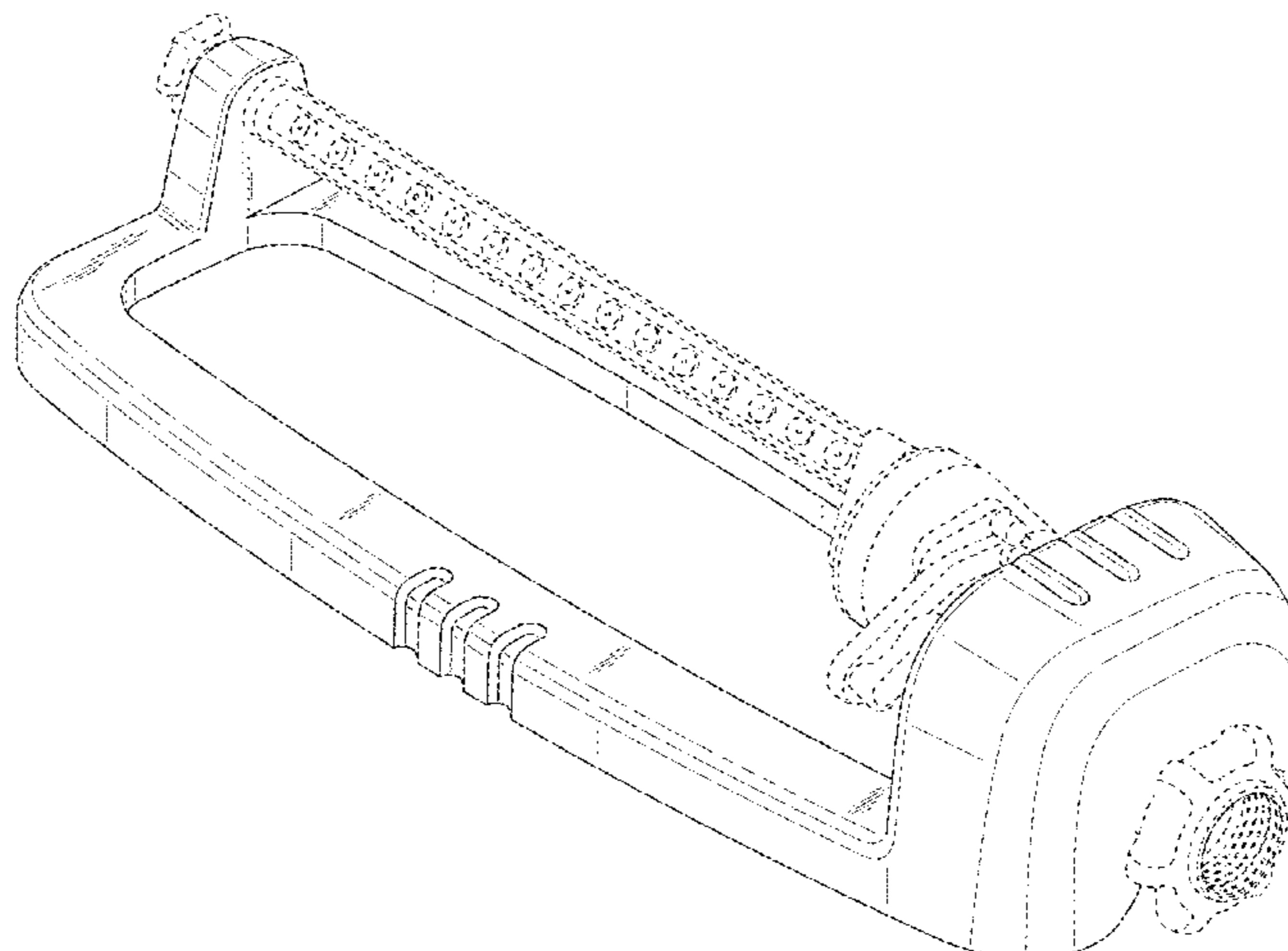
(57) **CLAIM**

The ornamental design for a sprinkler base unit, as shown and described.

**DESCRIPTION**

FIG. 1 is a left, back perspective view of a sprinkler base unit showing our new design;  
FIG. 2 is a right side view thereof;  
FIG. 3 is a left side view thereof;  
FIG. 4 is a front end view thereof;  
FIG. 5 is a back end view thereof;  
FIG. 6 is a top plan view thereof; and,  
FIG. 7 is a bottom plan view thereof.  
The broken lines illustrate environmental structure and form no part of the claimed design.

**1 Claim, 7 Drawing Sheets**



# US D652,483 S

Page 2

## U.S. PATENT DOCUMENTS

D440,629	S	*	4/2001	Guo	.....	D23/216
D447,537	S		9/2001	Chao		
D447,538	S		9/2001	Chao		
D458,983	S		6/2002	Chen		
D459,436	S		6/2002	Chao		
6,478,241	B1	*	11/2002	Guo	.....	239/562
D469,849	S		2/2003	Nien		
D470,218	S		2/2003	Alkalay et al.		
6,520,430	B2		2/2003	Chao		
D479,574	S		9/2003	Nien		
D500,122	S	*	12/2004	Schapper	.....	D23/221
D540,429	S	*	4/2007	Barmore	.....	D23/221
D541,376	S		4/2007	Barmore		
7,284,714	B1		10/2007	Wang et al.		
D554,736	S		11/2007	Cheng		
D554,737	S		11/2007	Lo		
D554,739	S		11/2007	Lo		
D554,740	S		11/2007	Lo		
D555,220	S		11/2007	Flaherty		
D555,228	S		11/2007	Cheng		
D557,740	S		12/2007	Bharma		
D559,352	S		1/2008	Lo		
7,389,950	B2		6/2008	Lo		
D584,579	S		1/2009	Vendl		
7,484,698	B2		2/2009	Budagher		
7,490,808	B2		2/2009	Lemirande		
7,491,155	B2		2/2009	Fenelon et al.		
D587,492	S		3/2009	Gusdorf		
D587,518	S		3/2009	Courington et al.		
D588,414	S		3/2009	Verghese		
D589,275	S		3/2009	Kurbryk		
D589,652	S		3/2009	Nip		
7,497,332	B1		3/2009	Schwimmer		
7,497,726	B2		3/2009	Wang et al.		
7,503,462	B2		3/2009	Vroon		
7,506,757	B1		3/2009	Ater et al.		
7,510,089	B2		3/2009	Killinger et al.		

7,513,365	B2		4/2009	Cornelius et al.		
D592,874	S		5/2009	Solomon		
7,529,096	B2		5/2009	Lin et al.		
7,536,840	B2		5/2009	Ours et al.		
7,537,119	B2		5/2009	Becklin		
D597,628	S		8/2009	Goetz		
7,607,590	B2		10/2009	Nies		
D613,371	S	*	4/2010	Nies et al.	.....	D23/221
D615,610	S	*	5/2010	Cheng	.....	D23/221
D615,612	S	*	5/2010	Cheng	.....	D23/221
D616,063	S	*	5/2010	Cheng	.....	D23/221
D618,307	S	*	6/2010	Nies et al.	.....	D23/221
2008/0054103	A1		3/2008	Nies et al.		

## FOREIGN PATENT DOCUMENTS

DE	733 188		3/1943
DE	1 926 735 B		12/1970
DE	30 44 310 A1		6/1982
DE	30 44 310 C2		9/1984
DE	36 29 696 A1		3/1988
DE	36 29 696 C2		1/1989
DE	37 25 384 A1		2/1989
DE	40 34 695 A1		5/1991
DE	296 05 046 U1		6/1996
FR	2 748 367 A3		11/1997
GB	2 322 572 A		2/1998
GB	2 417 699 A		3/2006
WO	95/17262 A2		6/1995
WO	95/17262 A3		6/1995

## OTHER PUBLICATIONS

melnor.com/sprinklers-oscillating.php, Online Catalog of Oscillating Sprinklers, 2009, pp. 1-2.  
 melnor.com/sprinklers-oscillating.php, Time-A-Matic Sprinklers, Online Catalog of Oscillating Sprinklers, 2009, p. 1.

\* cited by examiner

FIG. 1

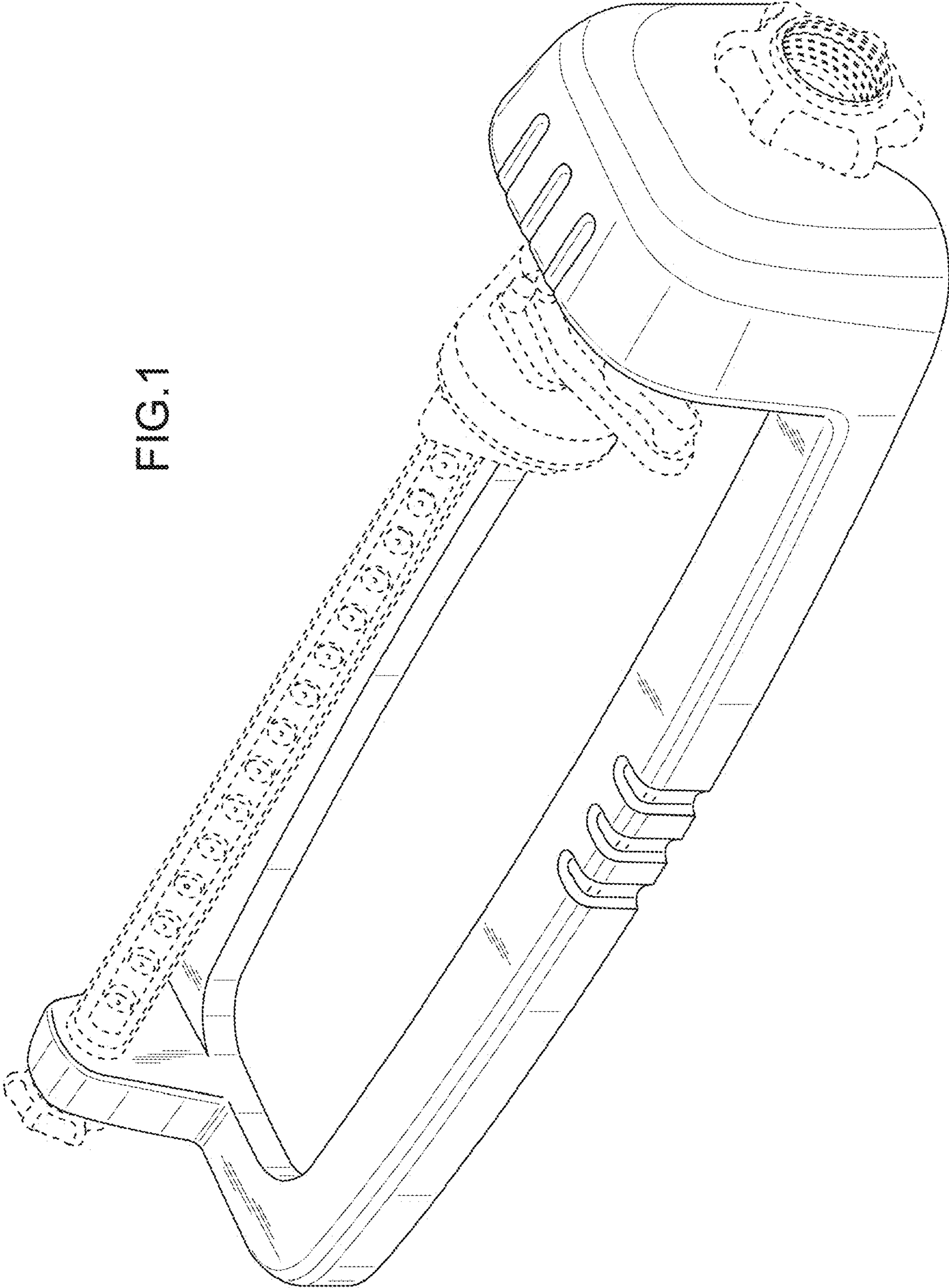


FIG.2

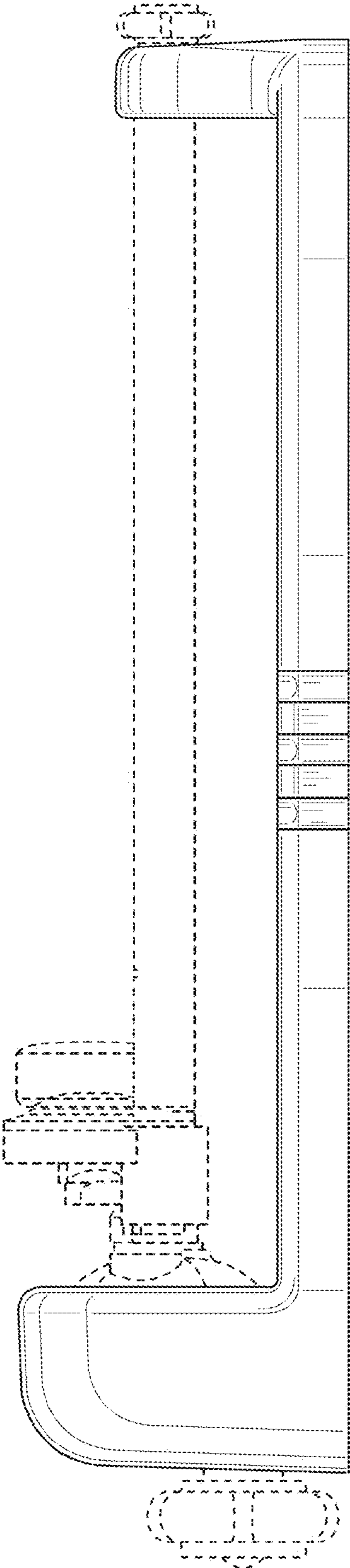


FIG. 3

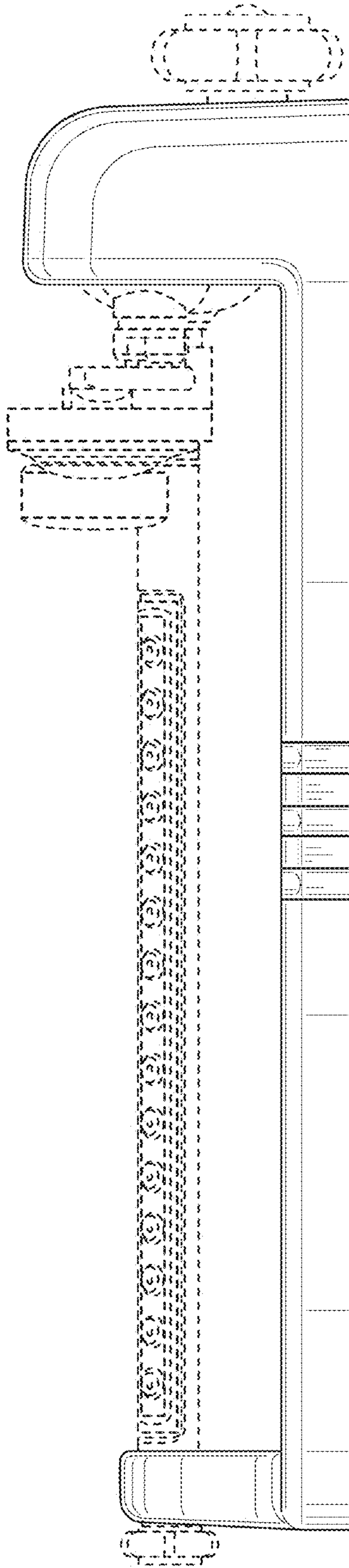


FIG.4

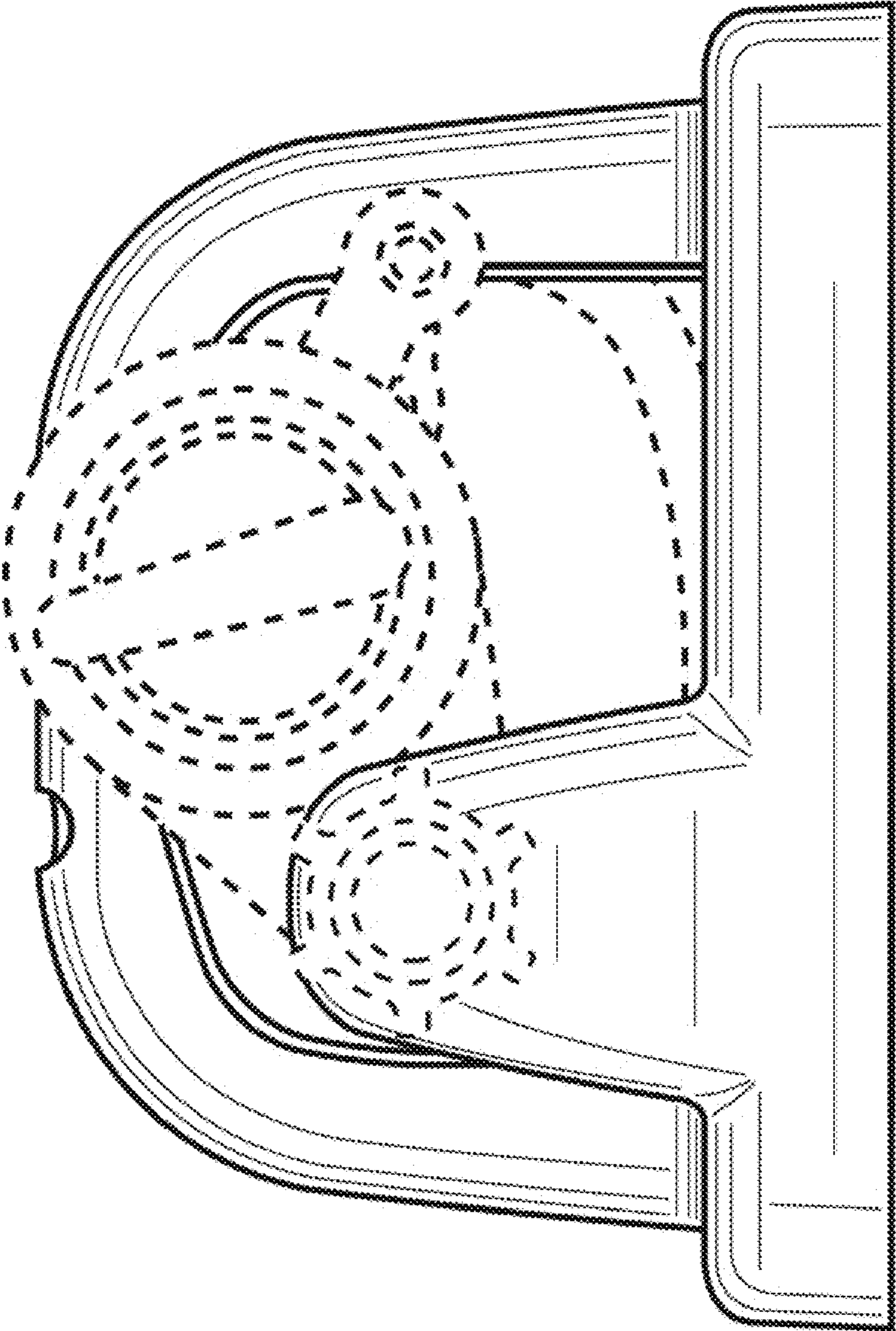


FIG. 5

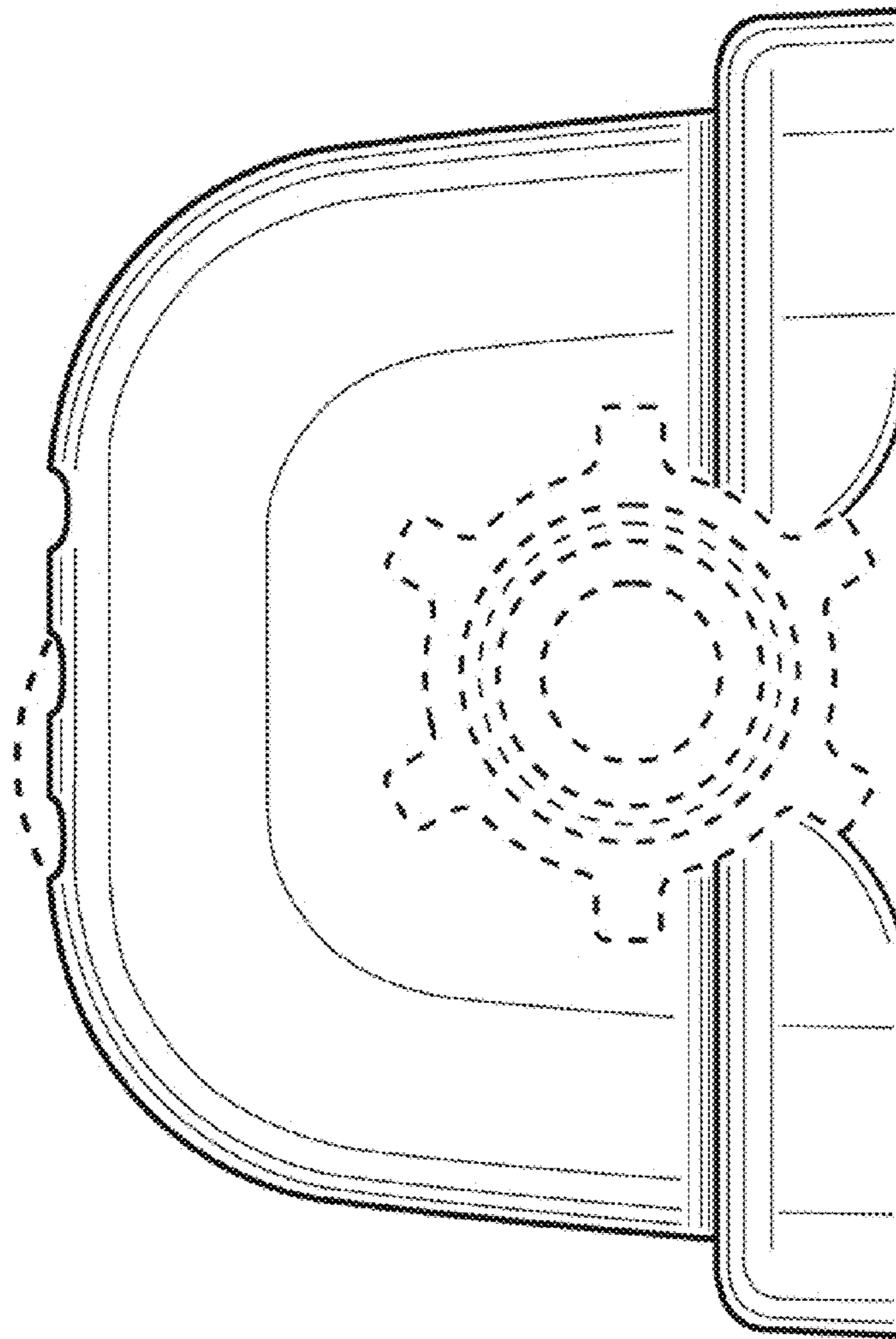


FIG.6

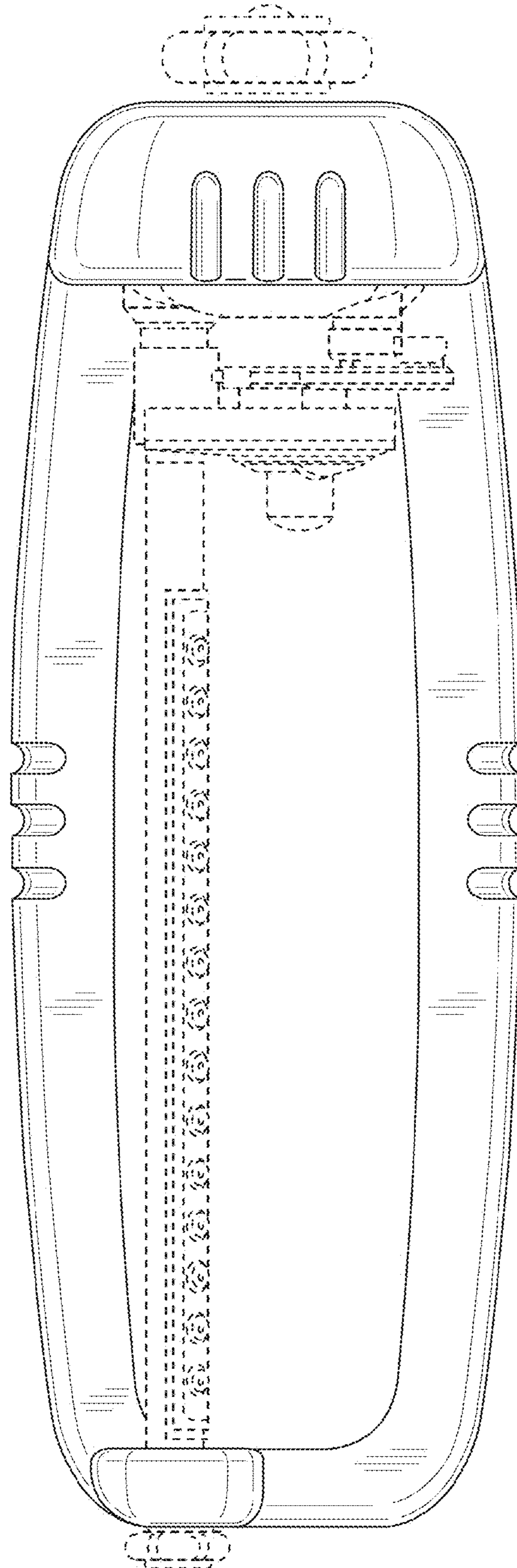




FIG.7

