



US00D652480S

(12) **United States Design Patent**
Okajima et al.

(10) **Patent No.:** **US D652,480 S**

(45) **Date of Patent:** **** Jan. 17, 2012**

(54) **MEMBRANE MODULE FOR MEMBRANE SEPARATION**

(75) Inventors: **Yasunobu Okajima**, Amagasaki (JP);
Tomokazu Kitano, Amagasaki (JP);
Tadao Shinkai, Amagasaki (JP);
Hidetoshi Masutani, Amagasaki (JP);
Tetsuya Uenaka, Amagasaki (JP);
Yoshio Asakura, Amagasaki (JP);
Kazuo Nanri, Amagasaki (JP);
Youichirou Hirose, Amagasaki (JP)

(73) Assignee: **Kubota Corporation** (JP)

(**) Term: **14 Years**

(21) Appl. No.: **29/358,371**

(22) Filed: **Mar. 26, 2010**

(30) **Foreign Application Priority Data**

Sep. 29, 2009 (JP) 2009-022449

(51) **LOC (9) Cl.** **23-01**

(52) **U.S. Cl.** **D23/207**

(58) **Field of Classification Search** D23/207,
D23/209, 200; 96/7; 210/636, 637, 321.6,
210/321.84, 321.75

See application file for complete search history.

(56) **References Cited**

U.S. PATENT DOCUMENTS

D207,202	S	*	3/1967	Dole	D23/207
3,323,653	A	*	6/1967	Lacey et al.	210/321.72
3,793,111	A	*	2/1974	Judkins	156/253
D419,638	S	*	1/2000	Patterson	D23/207
D425,174	S	*	5/2000	Swancara	D23/207
D437,027	S	*	1/2001	Flagler et al.	D23/209
D452,295	S	*	12/2001	Ricketts	D23/207
D455,813	S	*	4/2002	Mount	D23/207
D456,877	S	*	5/2002	Wilder et al.	D23/209
D492,001	S	*	6/2004	Kamata et al.	D23/209
6,790,360	B1	*	9/2004	Pedersen et al.	210/636
7,686,868	B2	*	3/2010	Rubas	96/7
7,955,423	B2	*	6/2011	Gordon et al.	96/7

* cited by examiner

Primary Examiner — Robin V Webster

(74) *Attorney, Agent, or Firm* — Kusner & Jaffe

(57) **CLAIM**

The ornamental design for the membrane module for membrane separation, as shown and described.

DESCRIPTION

FIG. 1 is a plan side perspective view of a membrane module showing our new design;

FIG. 2 is a bottom side perspective view thereof;

FIG. 3 is a front view thereof;

FIG. 4 is a right side view thereof;

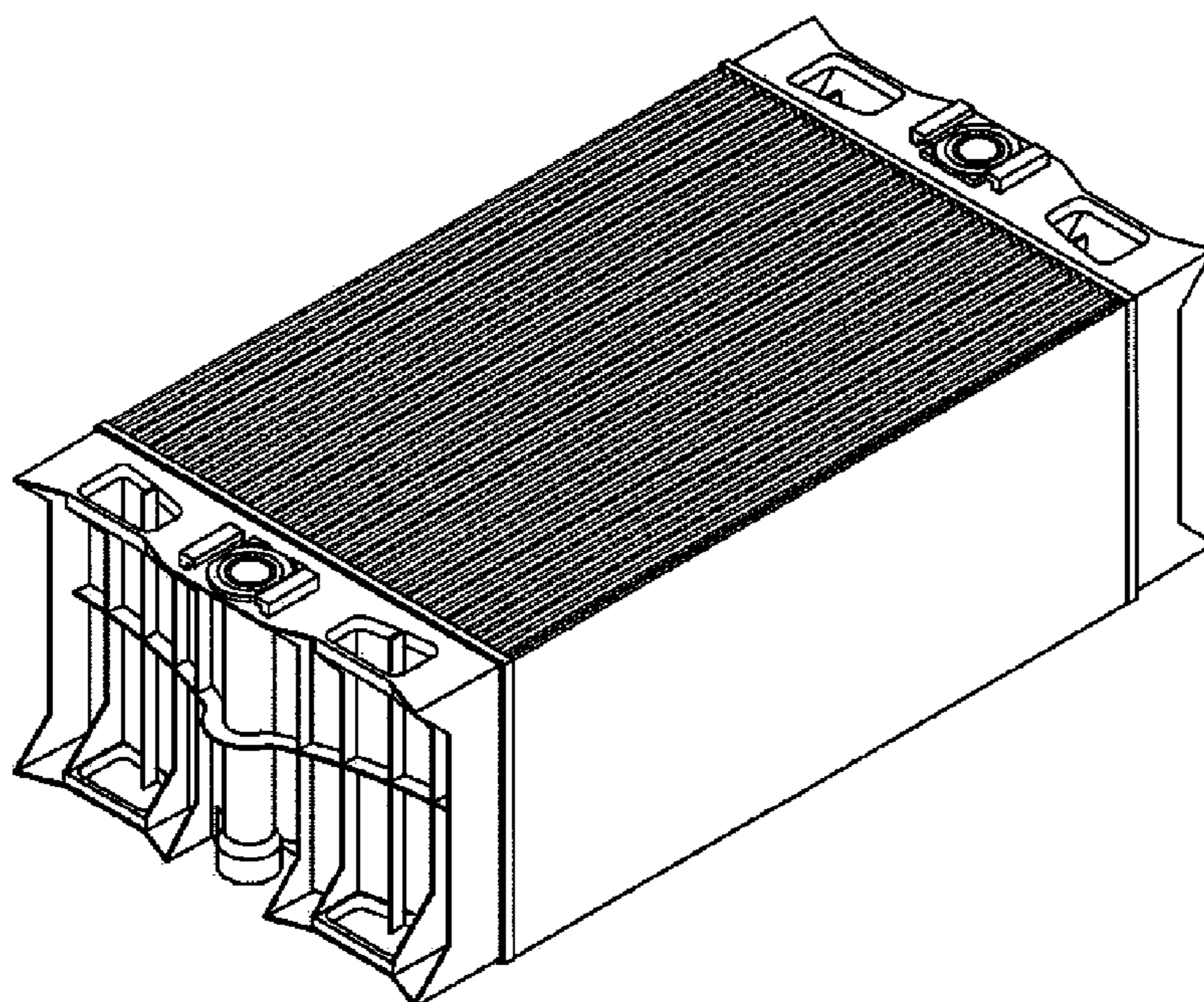
FIG. 5 is a plan view thereof;

FIG. 6 is a bottom view thereof;

FIG. 7 is a cross-sectional view taken along line 7-7 of FIG. 5; and,

FIG. 8 is a cross-sectional view taken along line 8-8 of FIG. 4.

1 Claim, 6 Drawing Sheets



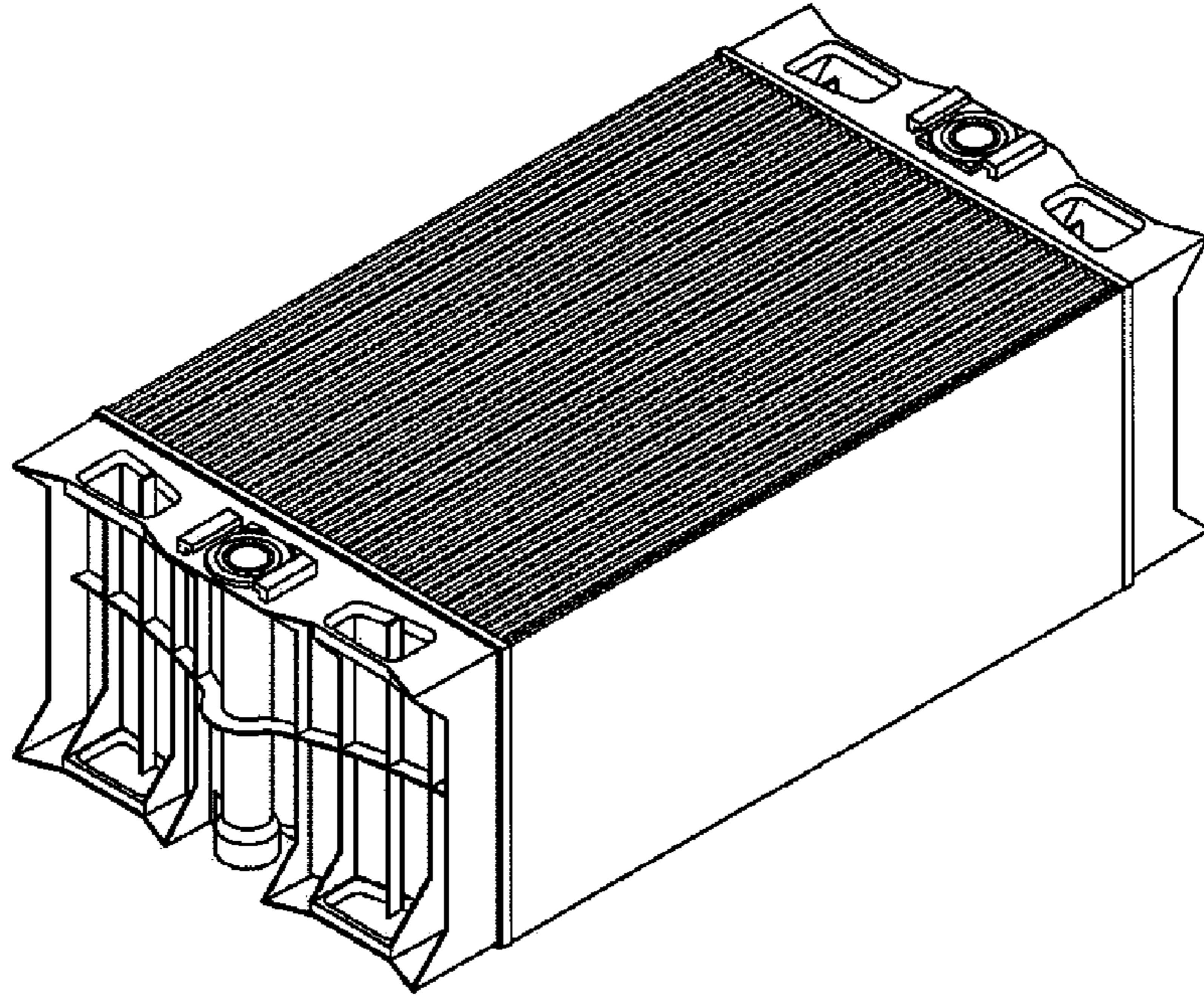


FIG. 1

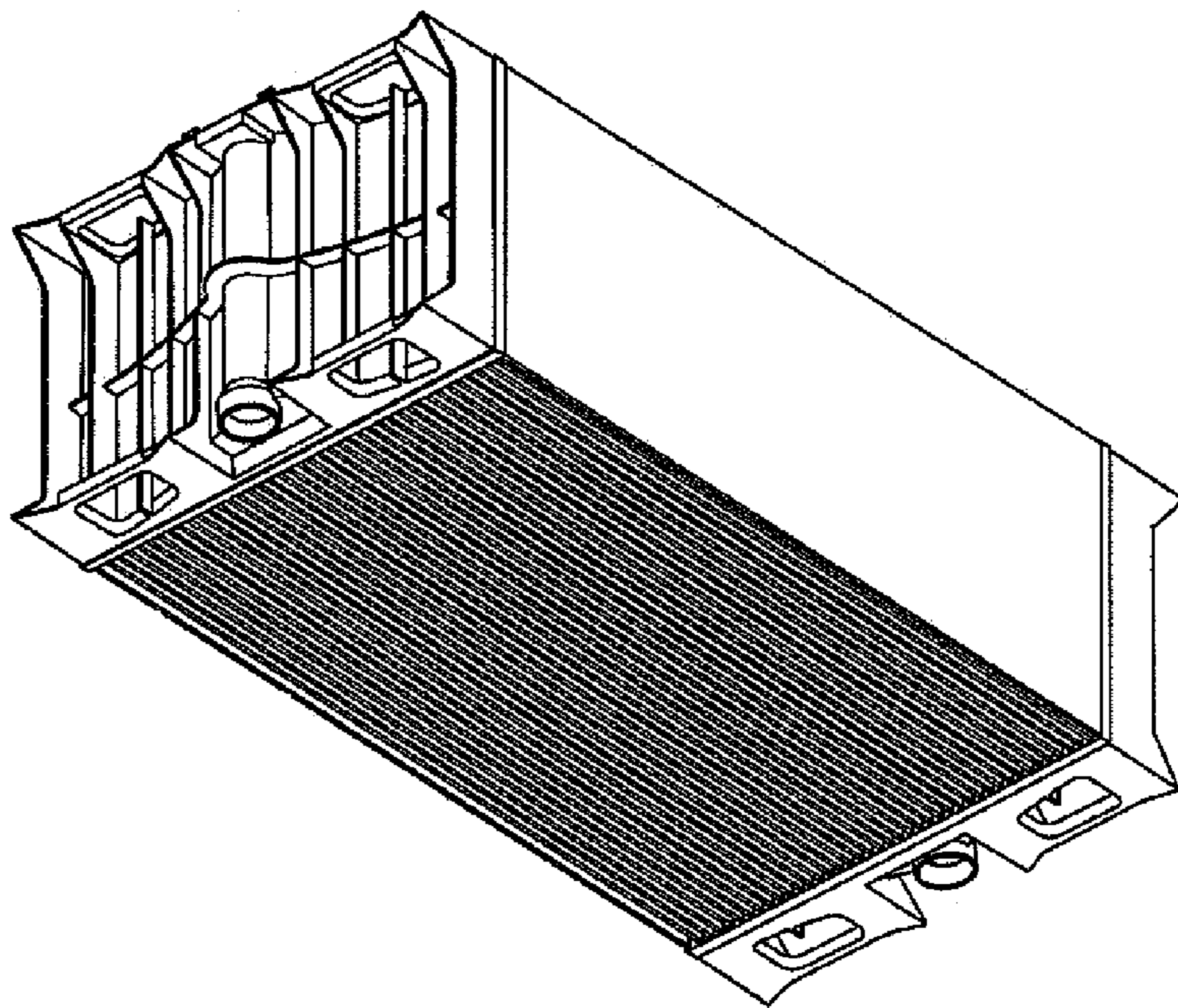


FIG. 2

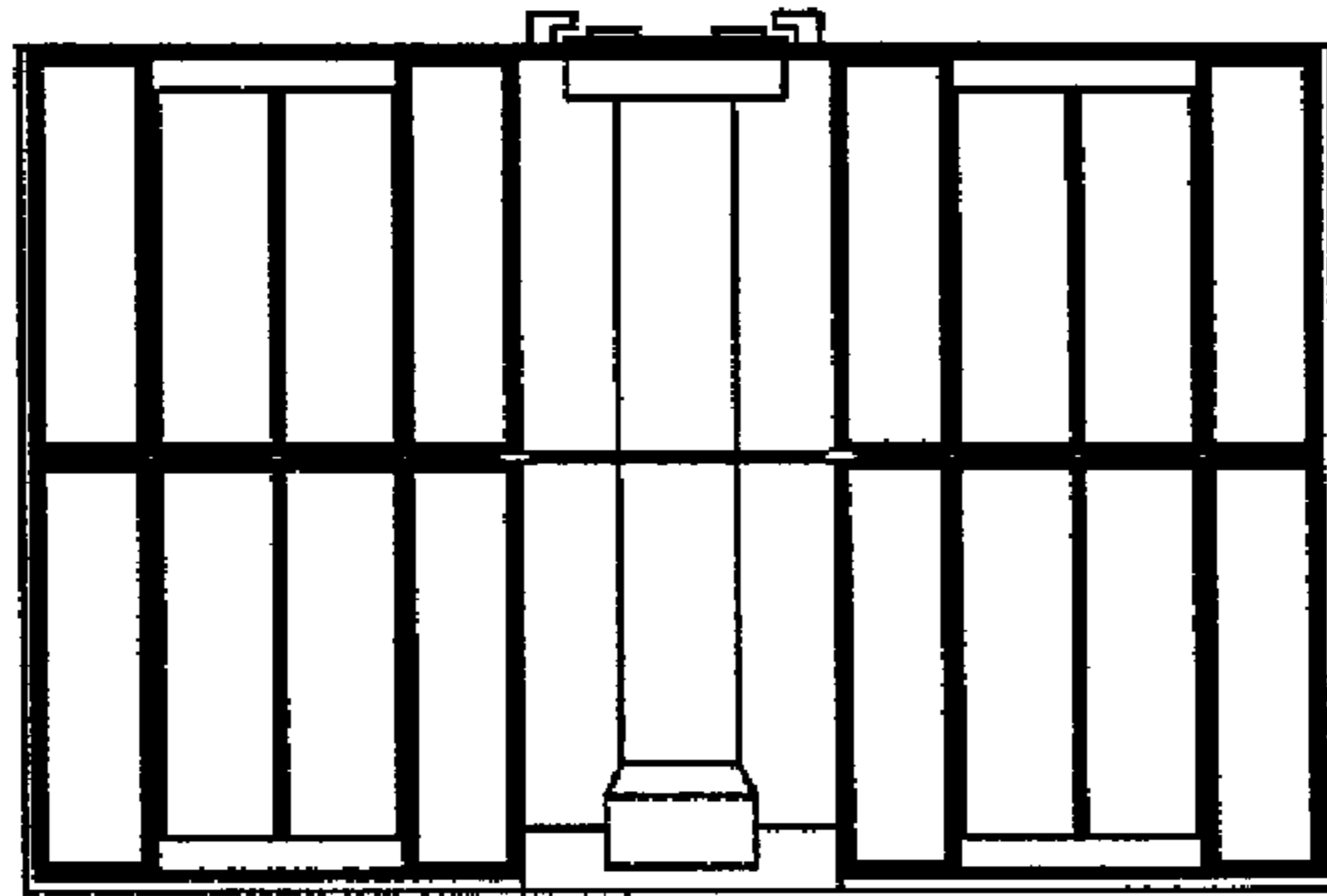


FIG. 3

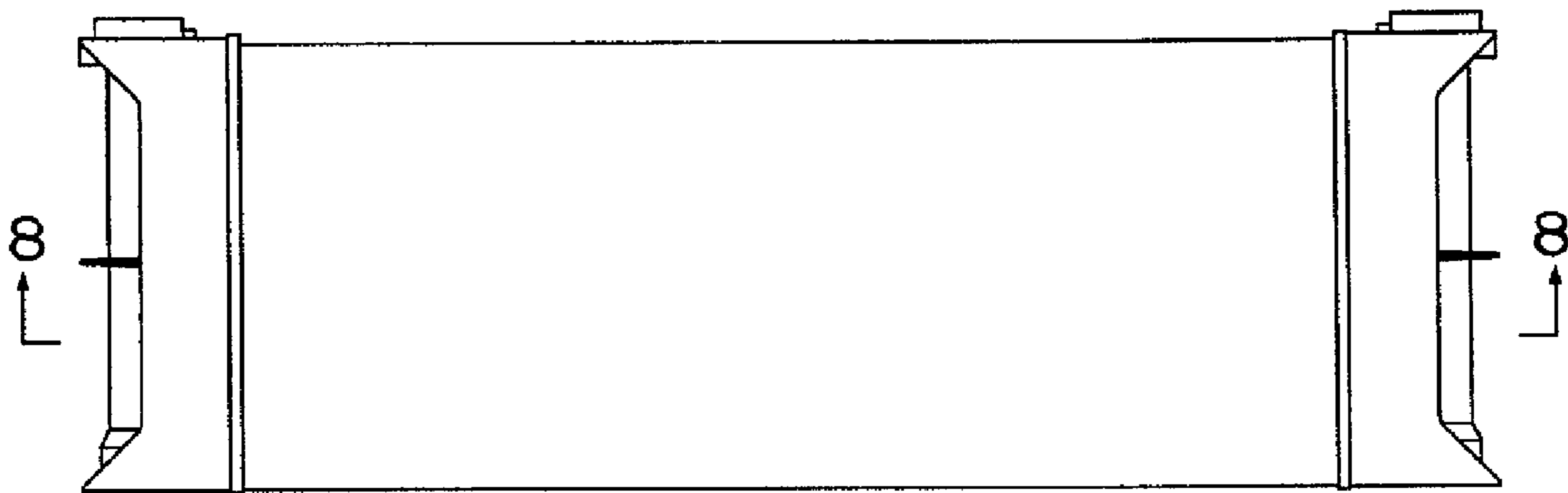


FIG. 4

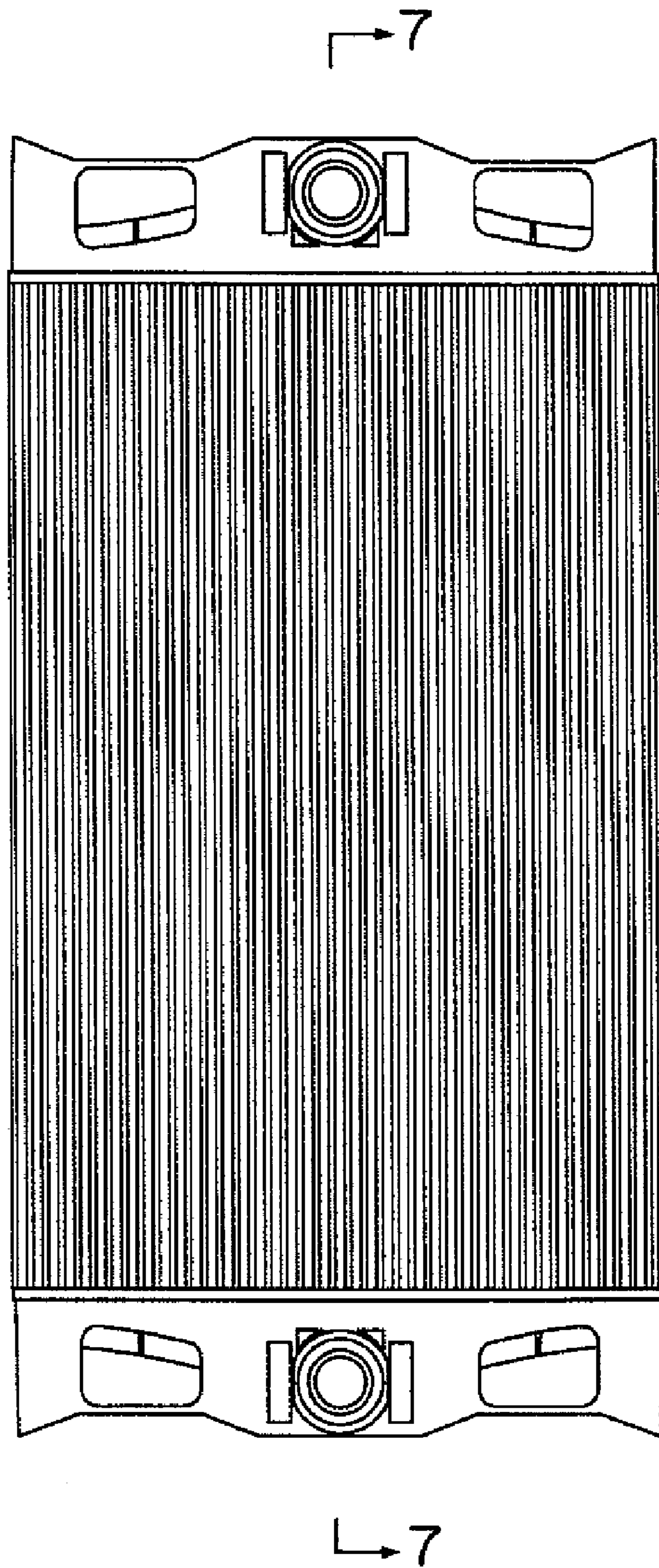


FIG. 5

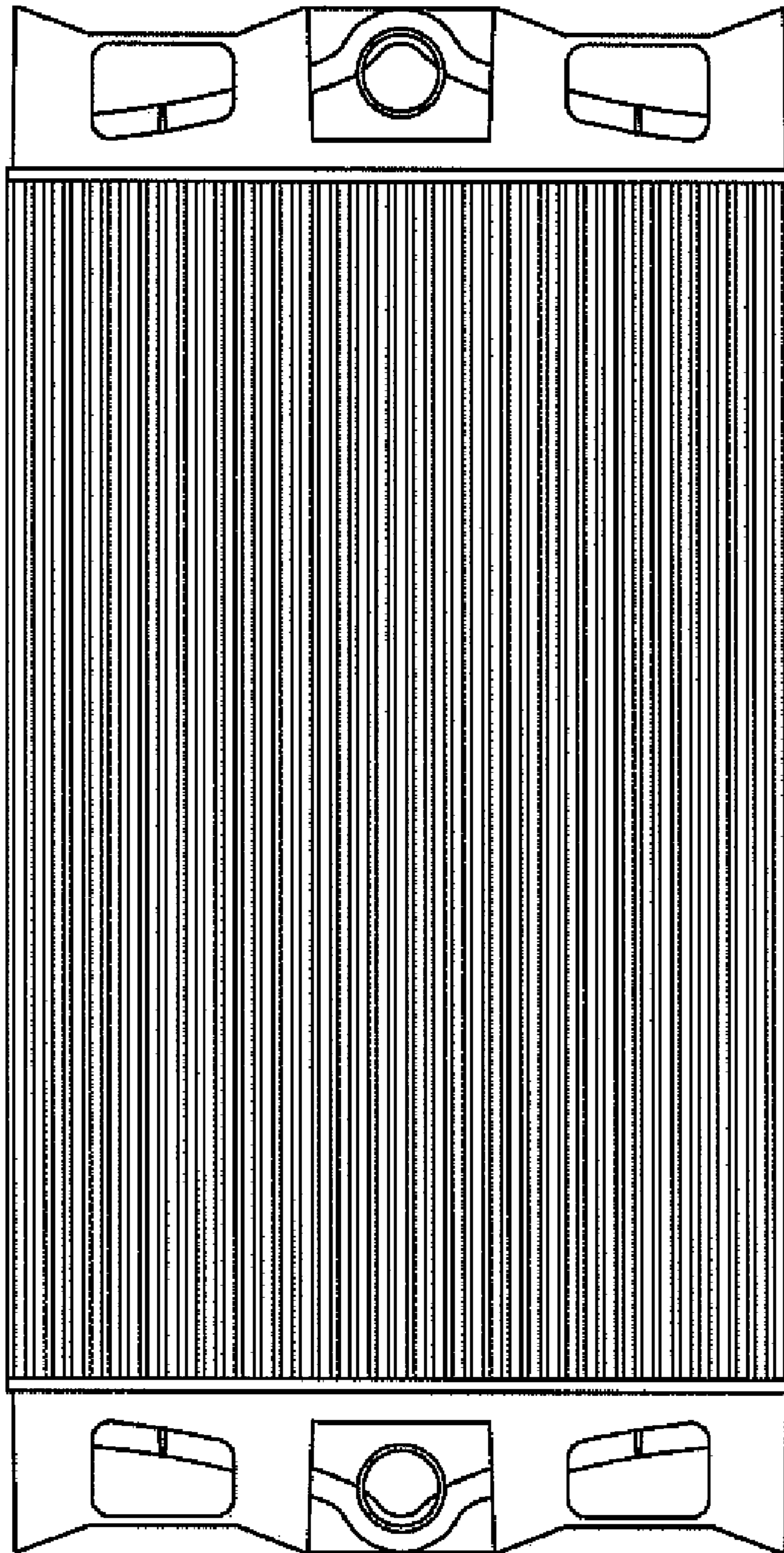


FIG. 6

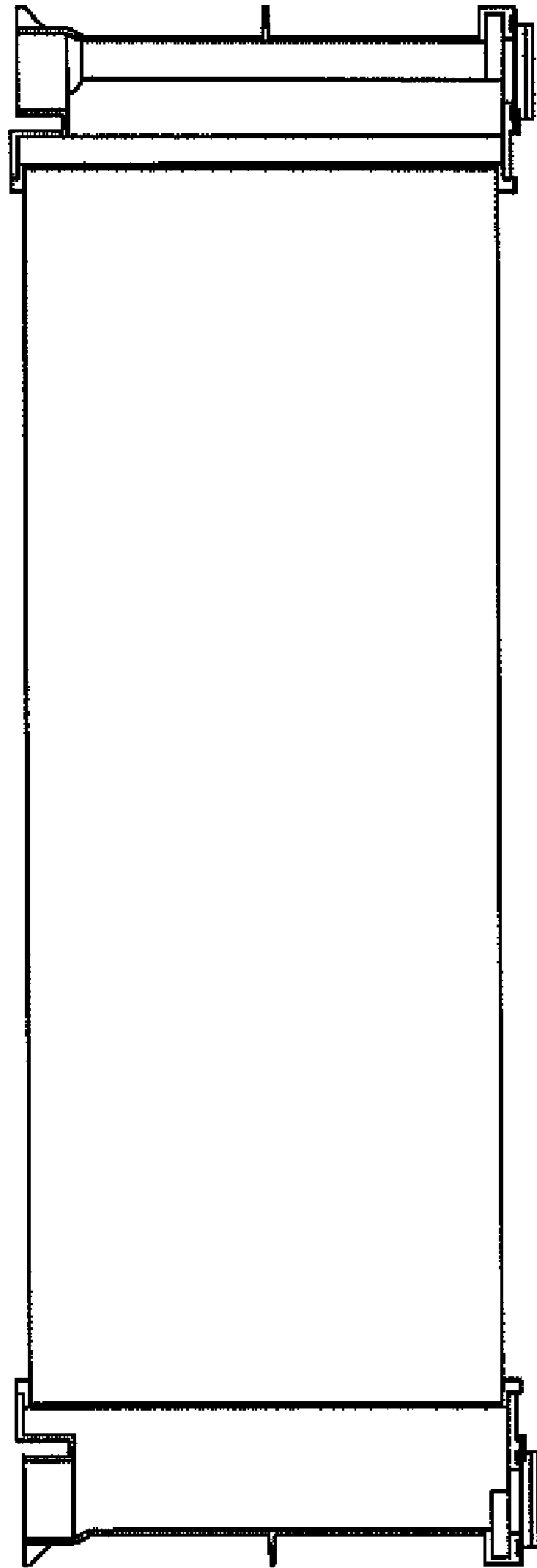


FIG. 7

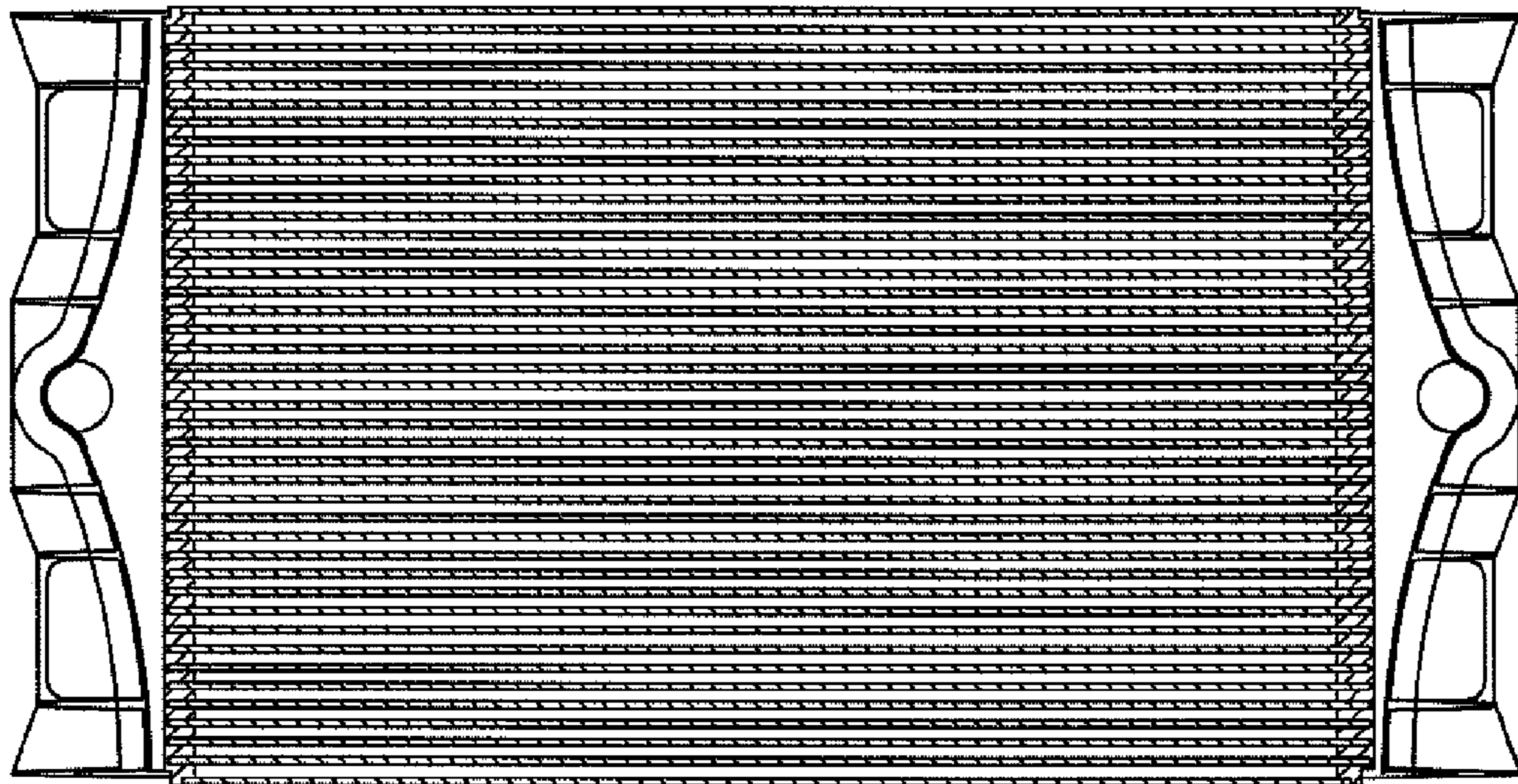


FIG. 8