



US00D652479S

(12) **United States Design Patent**
Theiss

(10) **Patent No.:** **US D652,479 S**
(45) **Date of Patent:** **** Jan. 17, 2012**

(54) **DEVICE FOR THE DISTRIBUTION OF LIQUIDS**

(75) Inventor: **Peter Theiss**, Stuttgart (DE)

(73) Assignee: **Buerkert Werke GmbH**, Ingelfingen (DE)

(**) Term: **14 Years**

(21) Appl. No.: **29/400,326**

(22) Filed: **Aug. 26, 2011**

Related U.S. Application Data

(62) Division of application No. 29/378,638, filed on Nov. 8, 2010.

(30) **Foreign Application Priority Data**

May 10, 2010 (DE) 40 2010 002 695

(51) **LOC (9) Cl.** **23-01**

(52) **U.S. Cl.** **D23/202**

(58) **Field of Classification Search** D23/202,
D23/203, 204, 225; 220/565, 567.1, 586,
220/587, 581

See application file for complete search history.

(56) **References Cited**

U.S. PATENT DOCUMENTS

D190,773 S * 6/1961 Koch D23/202
D229,612 S * 12/1973 German D12/218

D234,042 S * 1/1975 Barton D23/202
D251,674 S * 4/1979 Sayward D23/202

* cited by examiner

Primary Examiner — Robin V Webster

(74) *Attorney, Agent, or Firm* — Carlson, Gaskey & Olds, PC

(57) **CLAIM**

We claim the ornamental design for a device for the distribution of liquids, as shown and described.

DESCRIPTION

FIG. 1 is a perspective view of a one example of a device for the distribution of liquids.

FIG. 2 is a rear view of FIG. 1.

FIG. 3 is a top view of FIG. 1.

FIG. 4 is a front view of FIG. 1.

FIG. 5 is a side view of FIG. 1.

FIG. 6 is a bottom view of FIG. 1.

FIG. 7 is a side view of FIG. 1.

FIG. 8 is a perspective view of another example of a device for the distribution of liquids.

FIG. 9 is a rear view of FIG. 8.

FIG. 10 is a top view of FIG. 8.

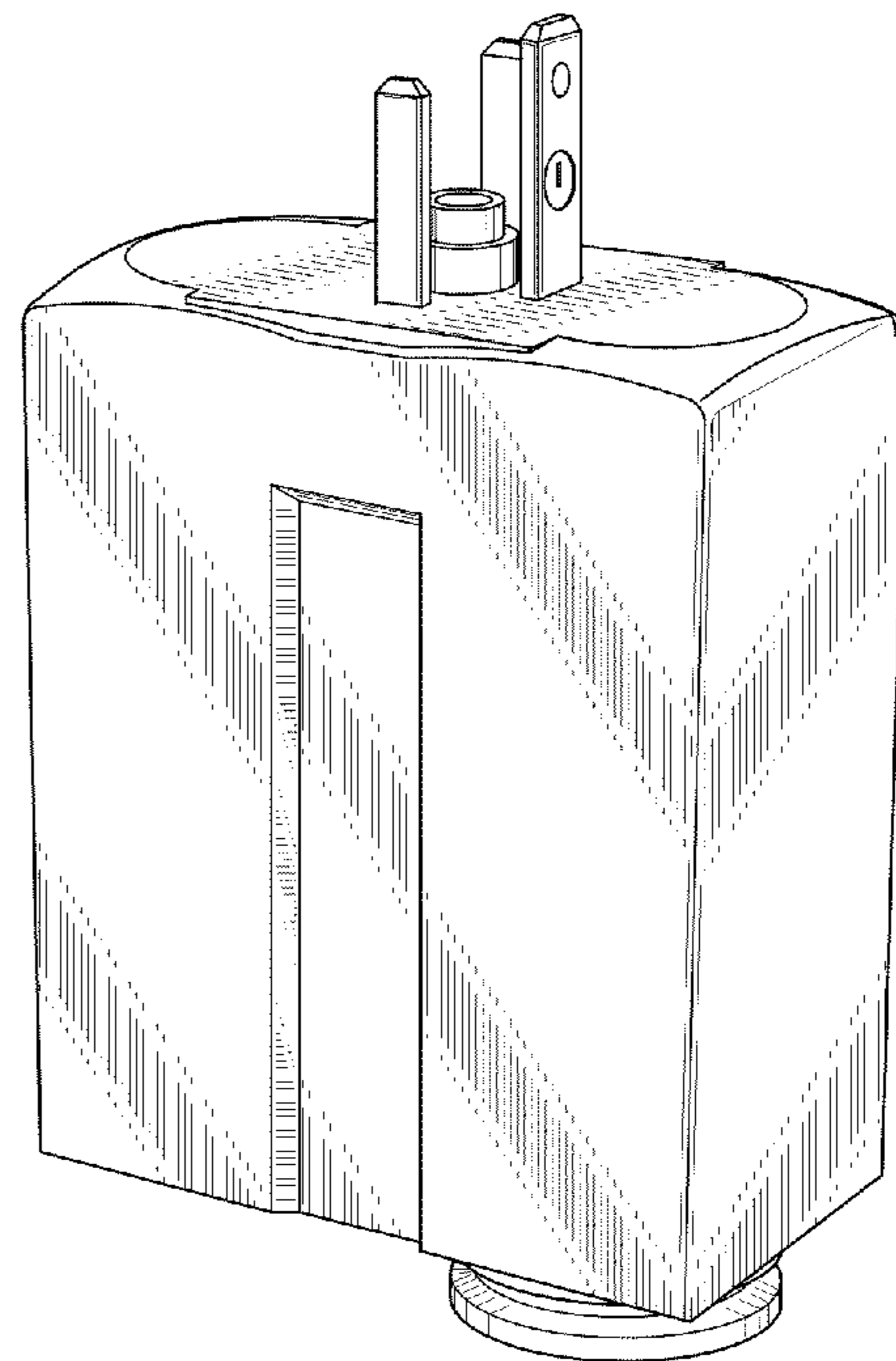
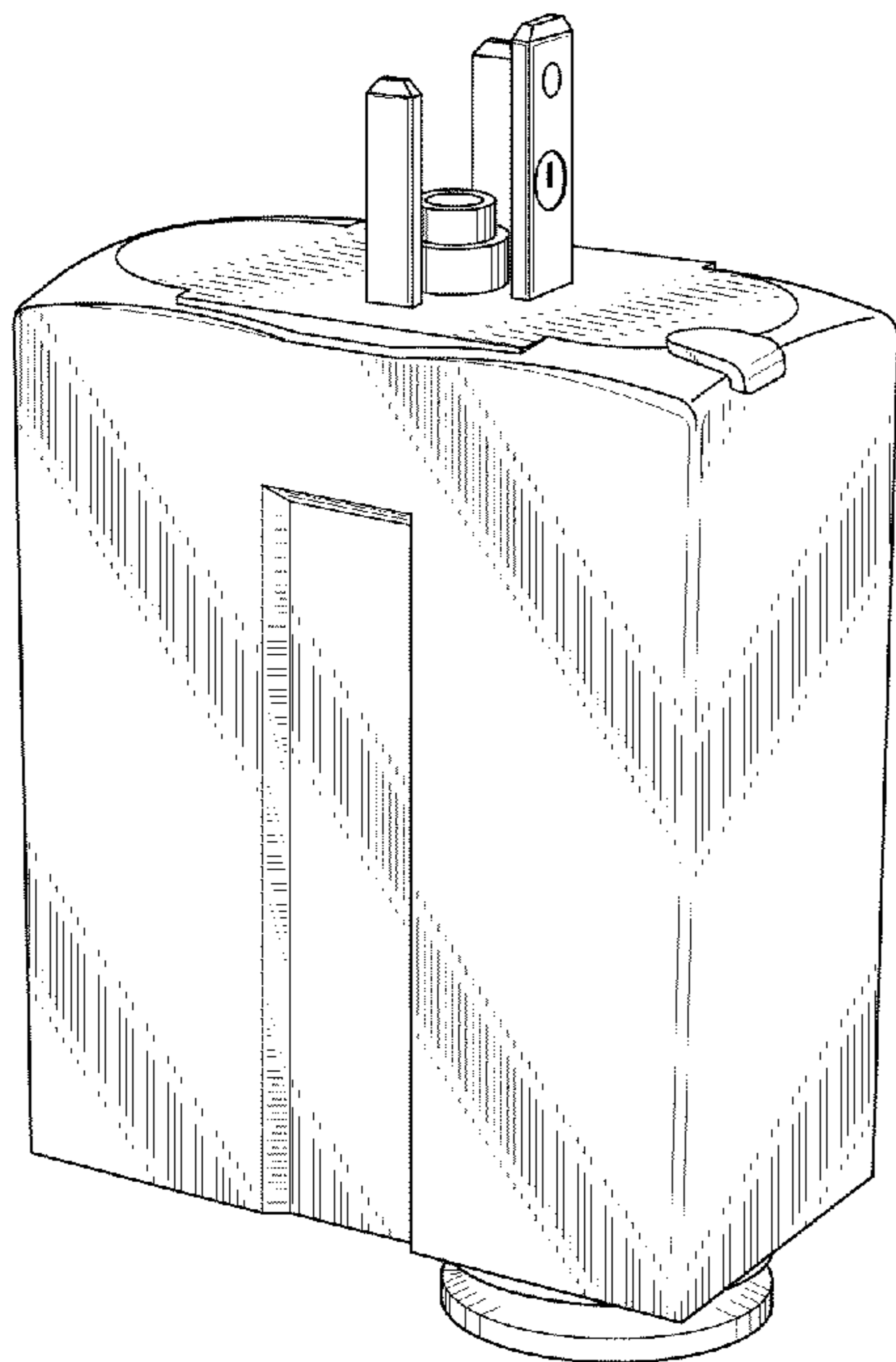
FIG. 11 is a front view of FIG. 8.

FIG. 12 is a side view of FIG. 8.

FIG. 13 is a bottom view of FIG. 8; and,

FIG. 14 is a side view of FIG. 8.

1 Claim, 4 Drawing Sheets



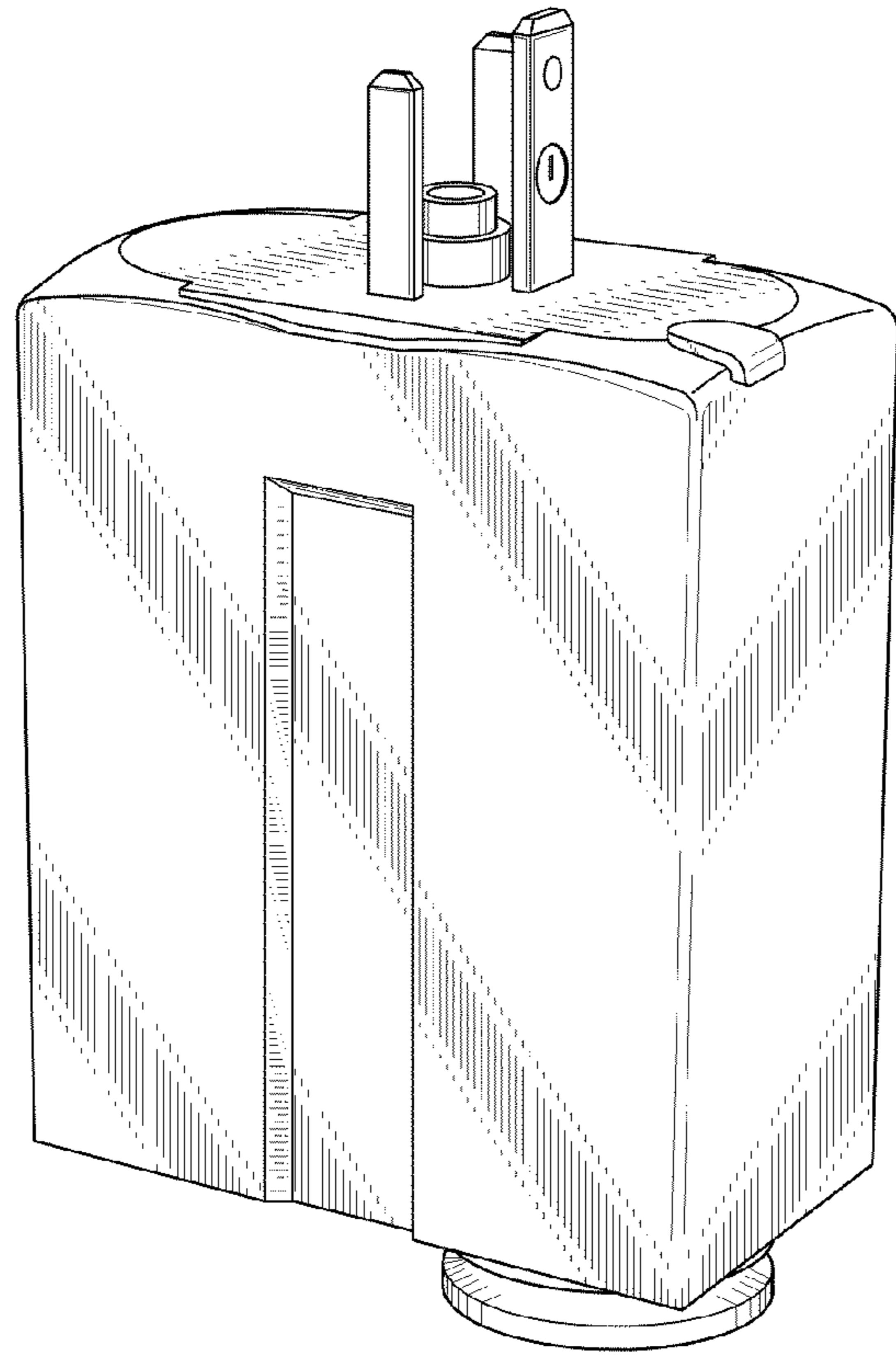


Fig-1

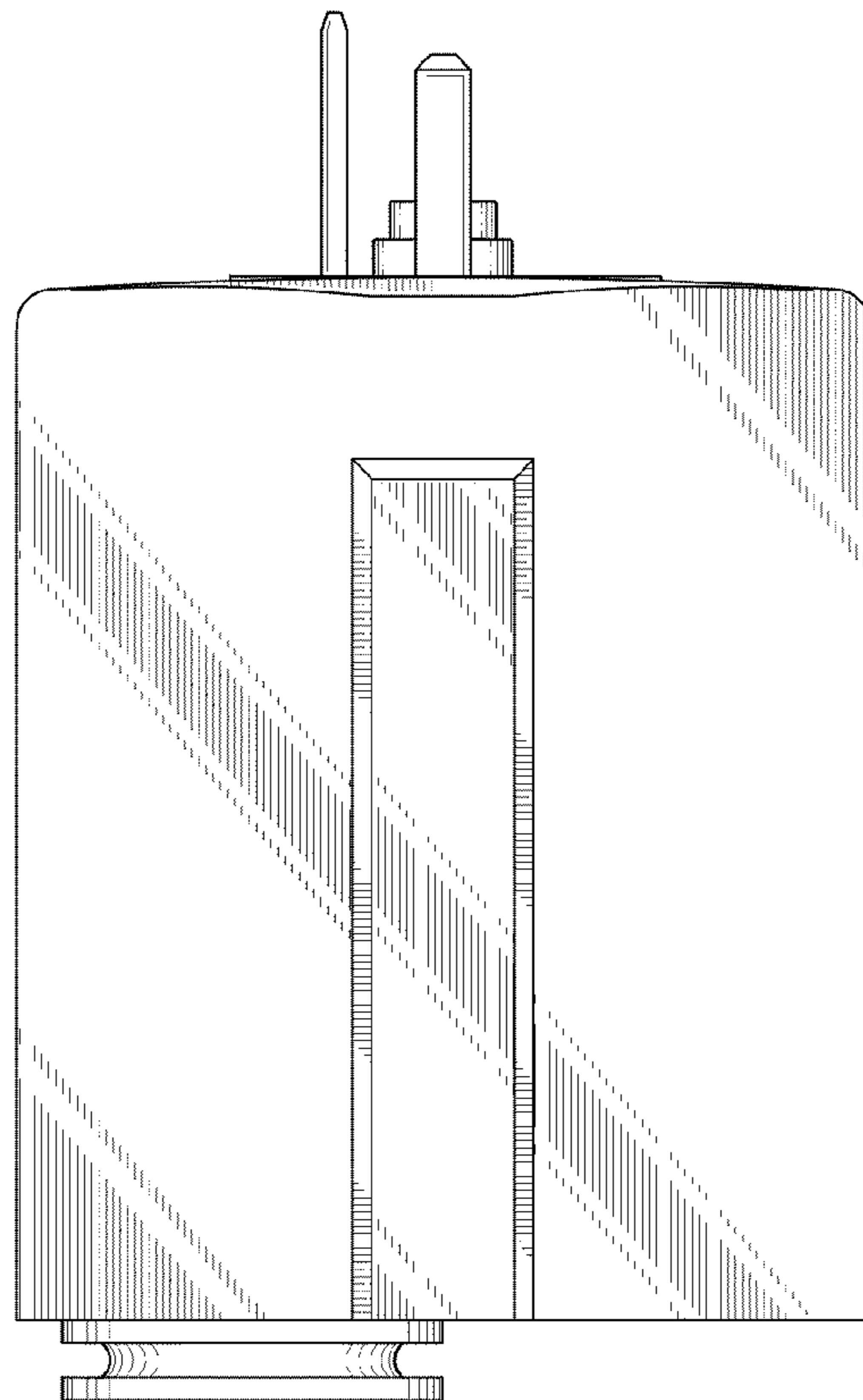


Fig-5

Fig-3

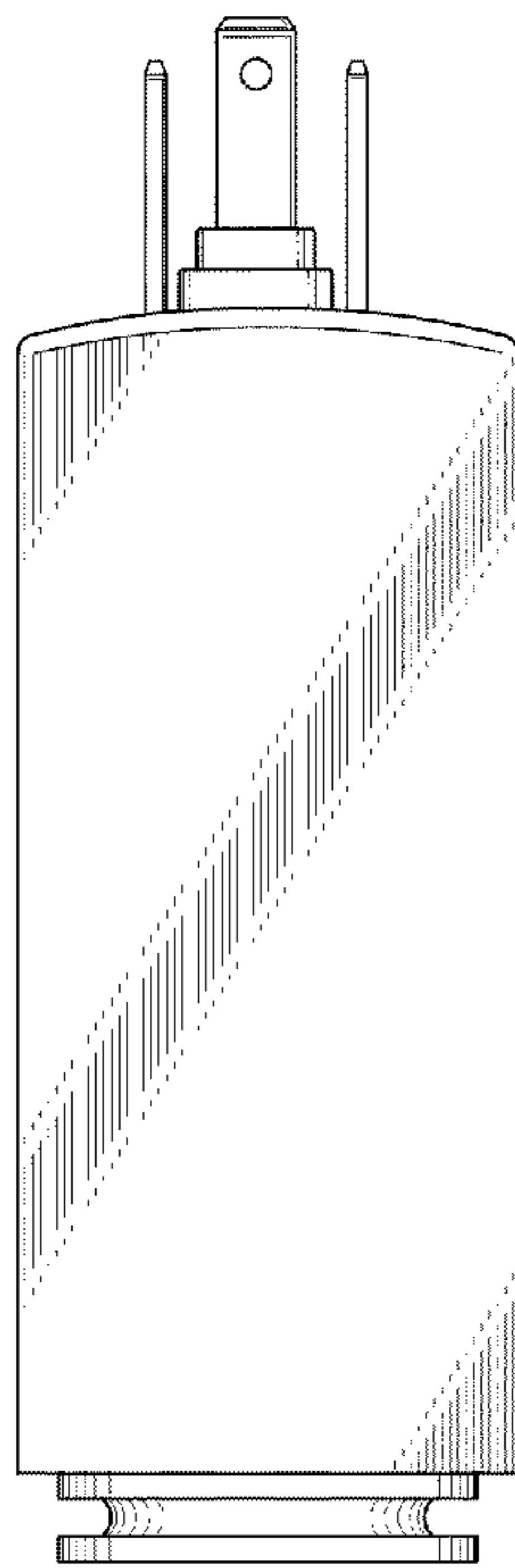
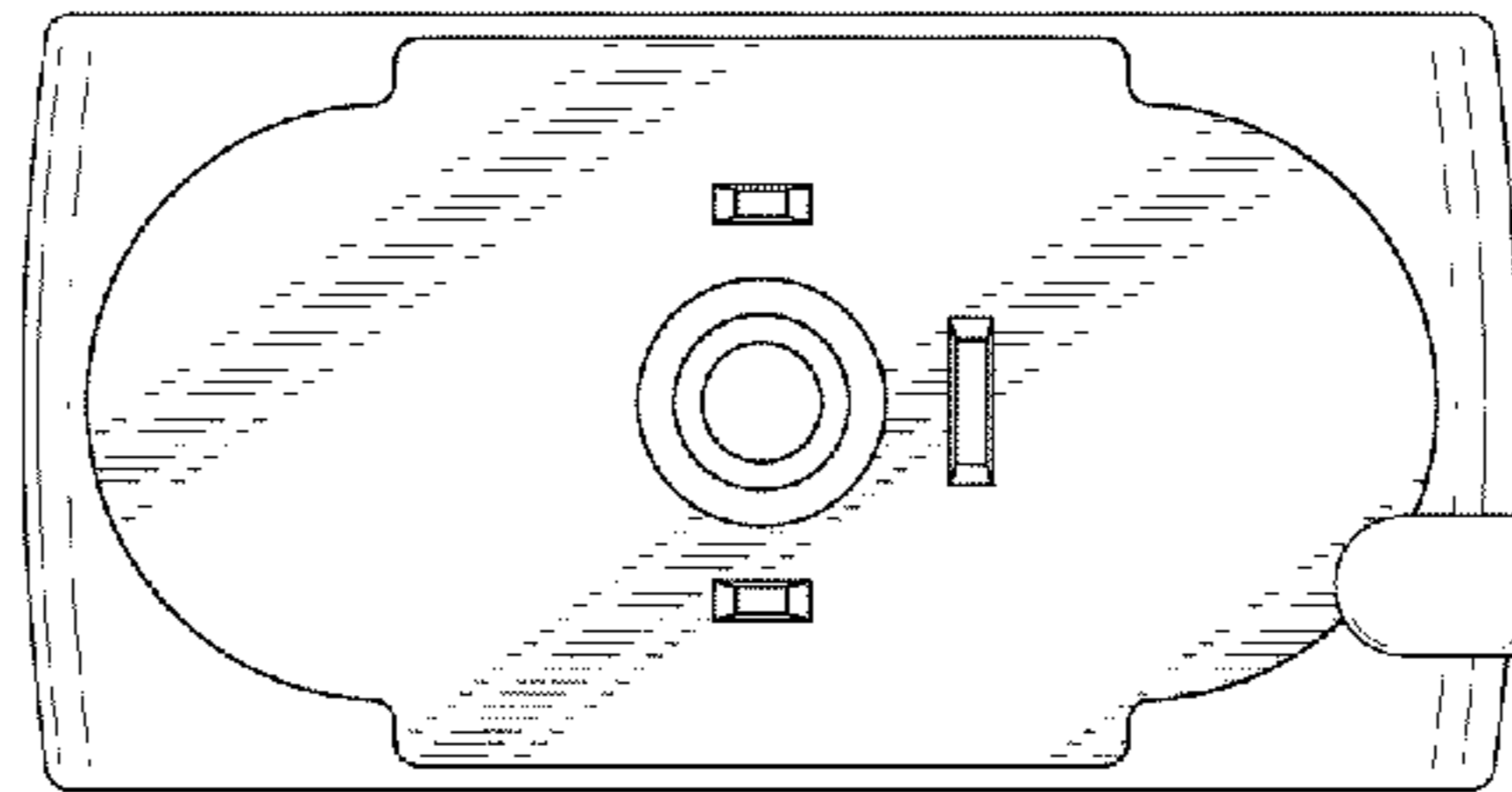


Fig-2

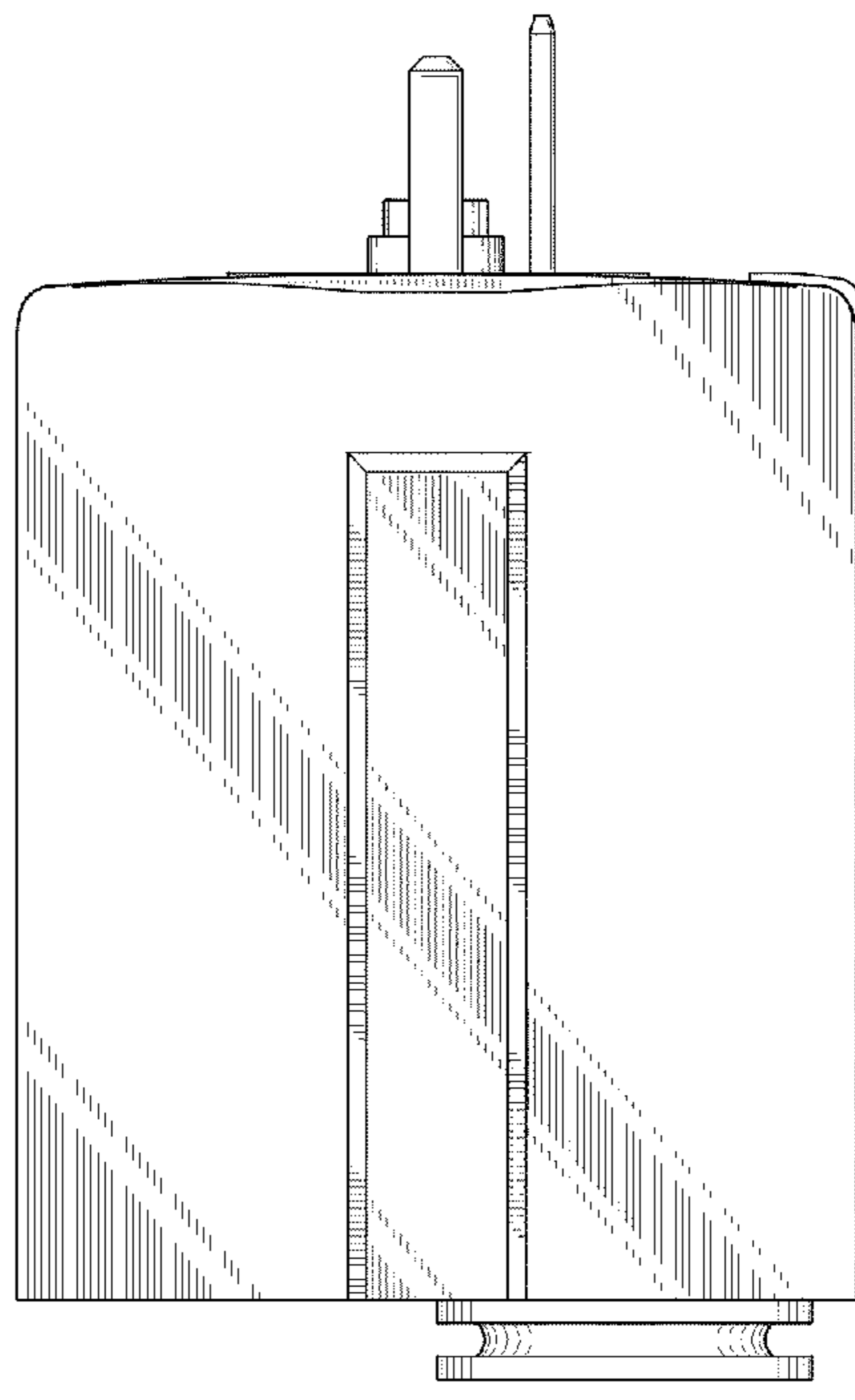


Fig-7

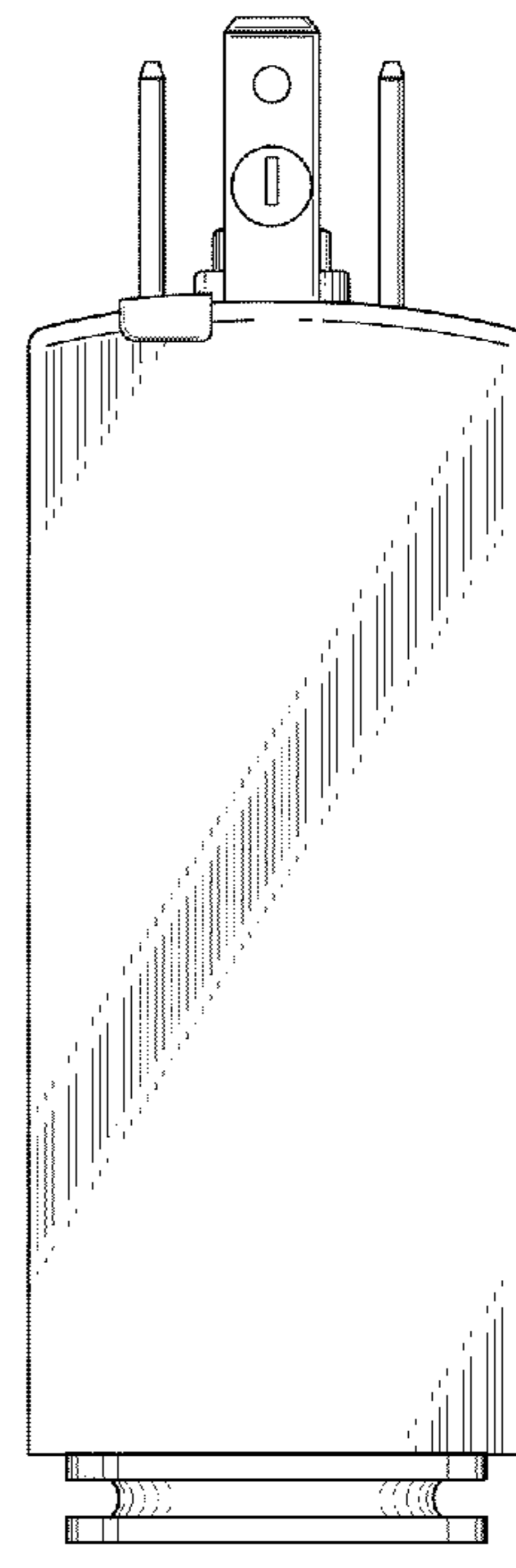


Fig-4

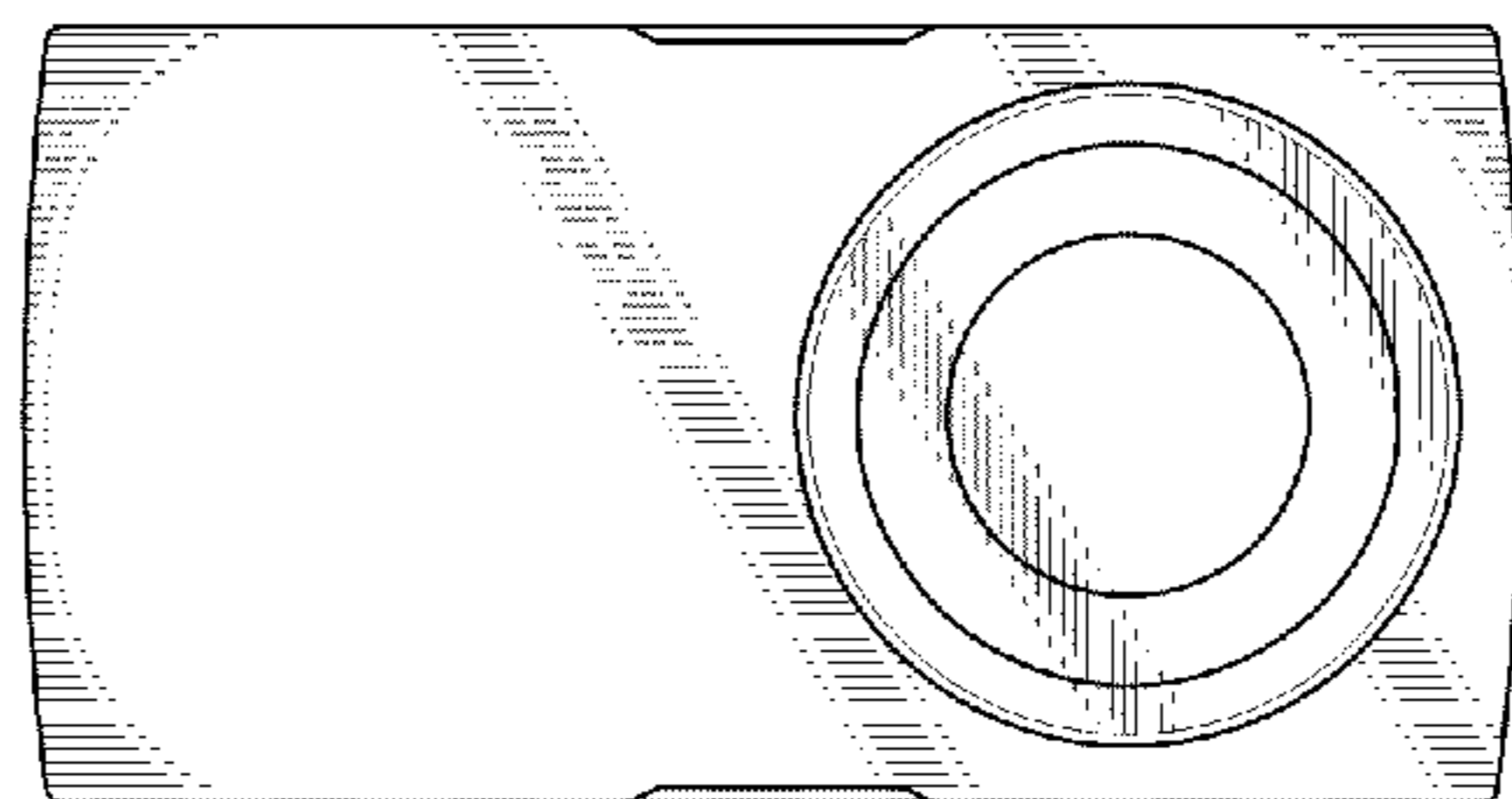


Fig-6

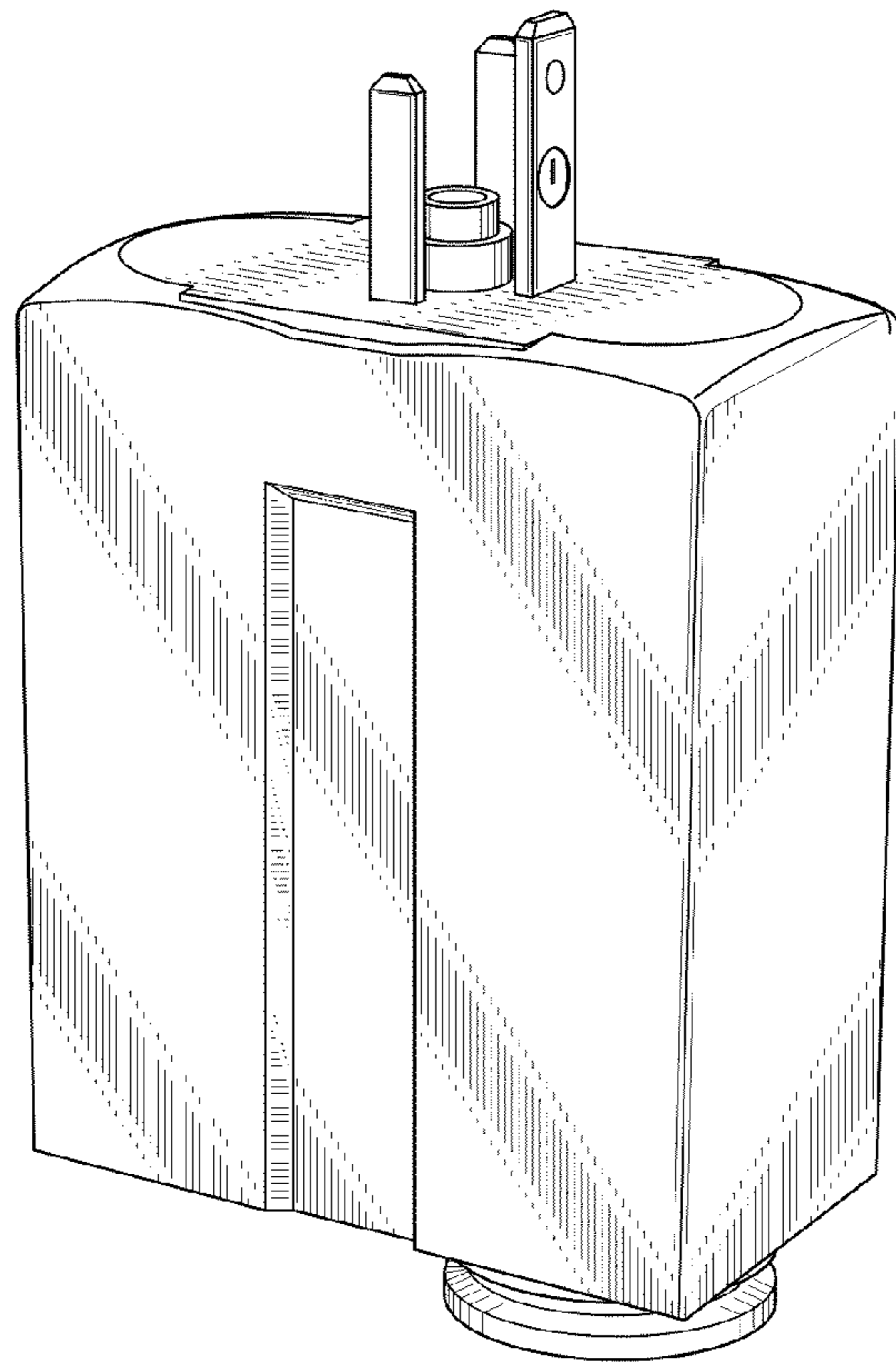


Fig-8

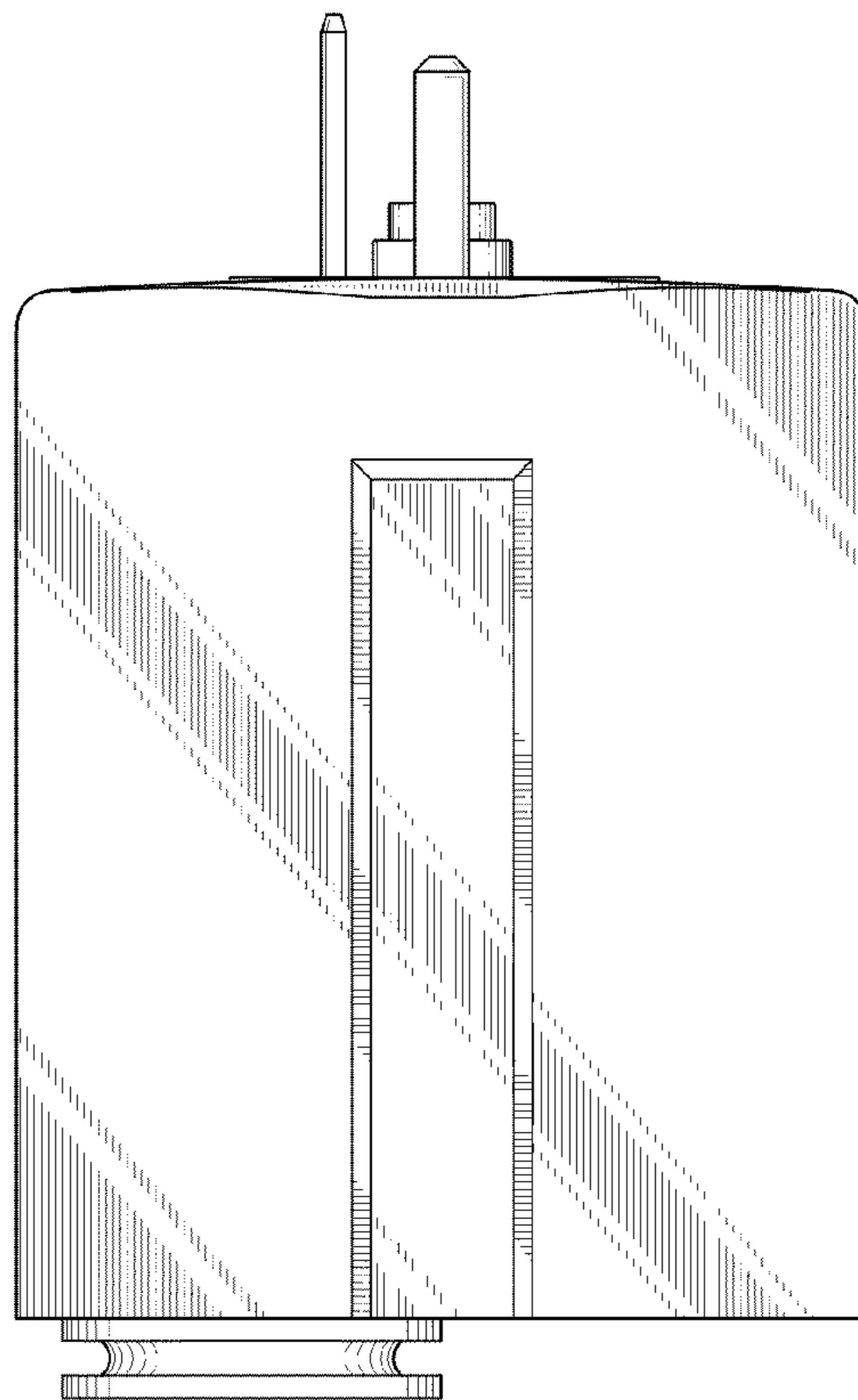


Fig-12

Fig-10

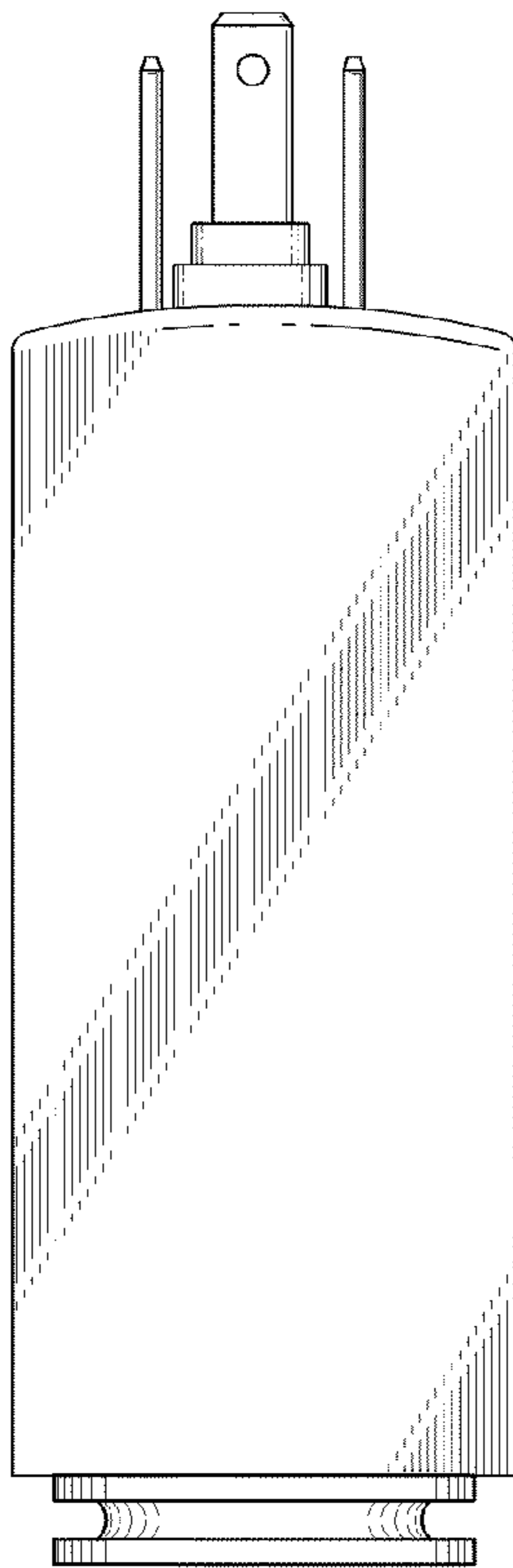
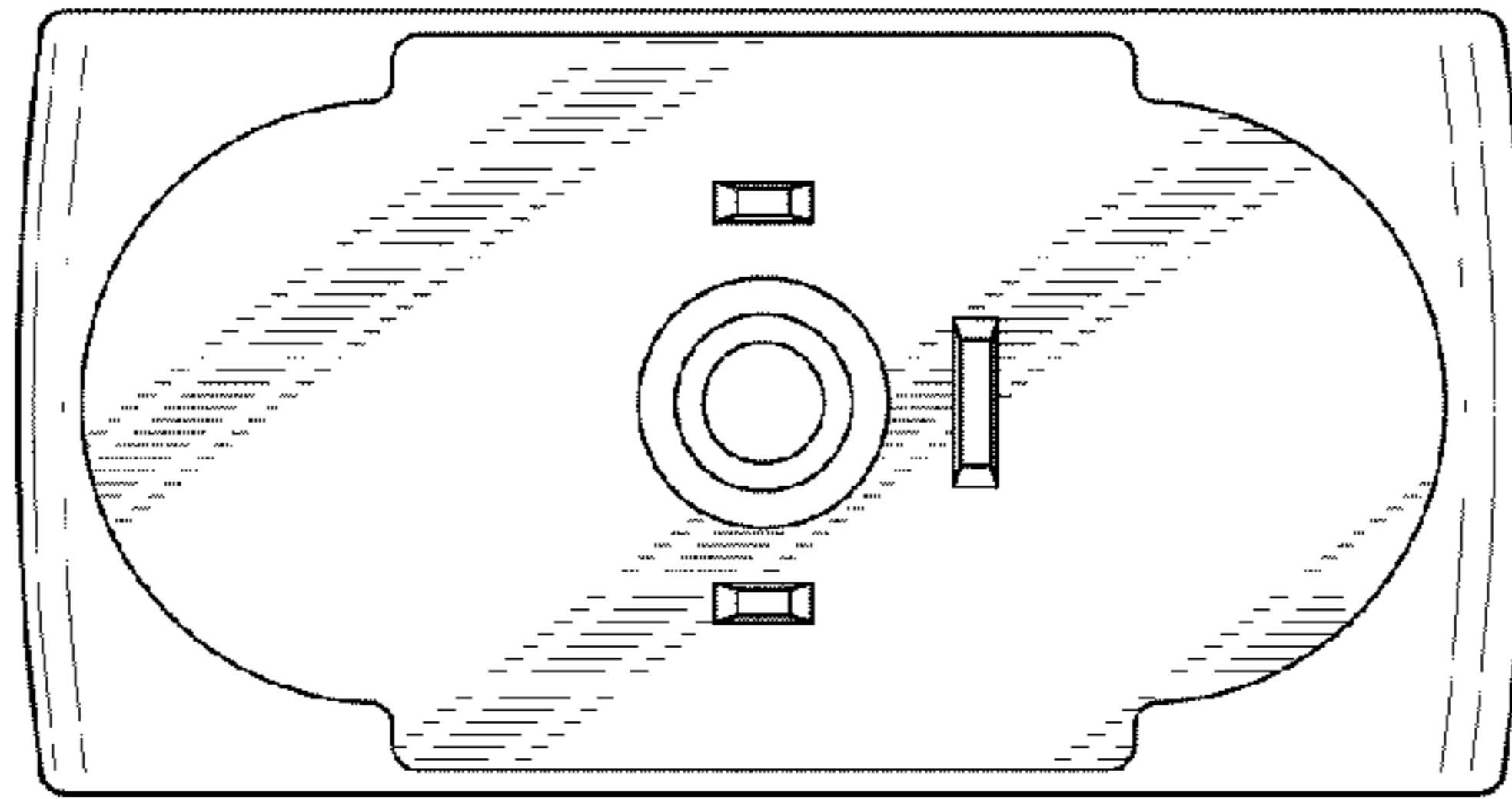


Fig-9

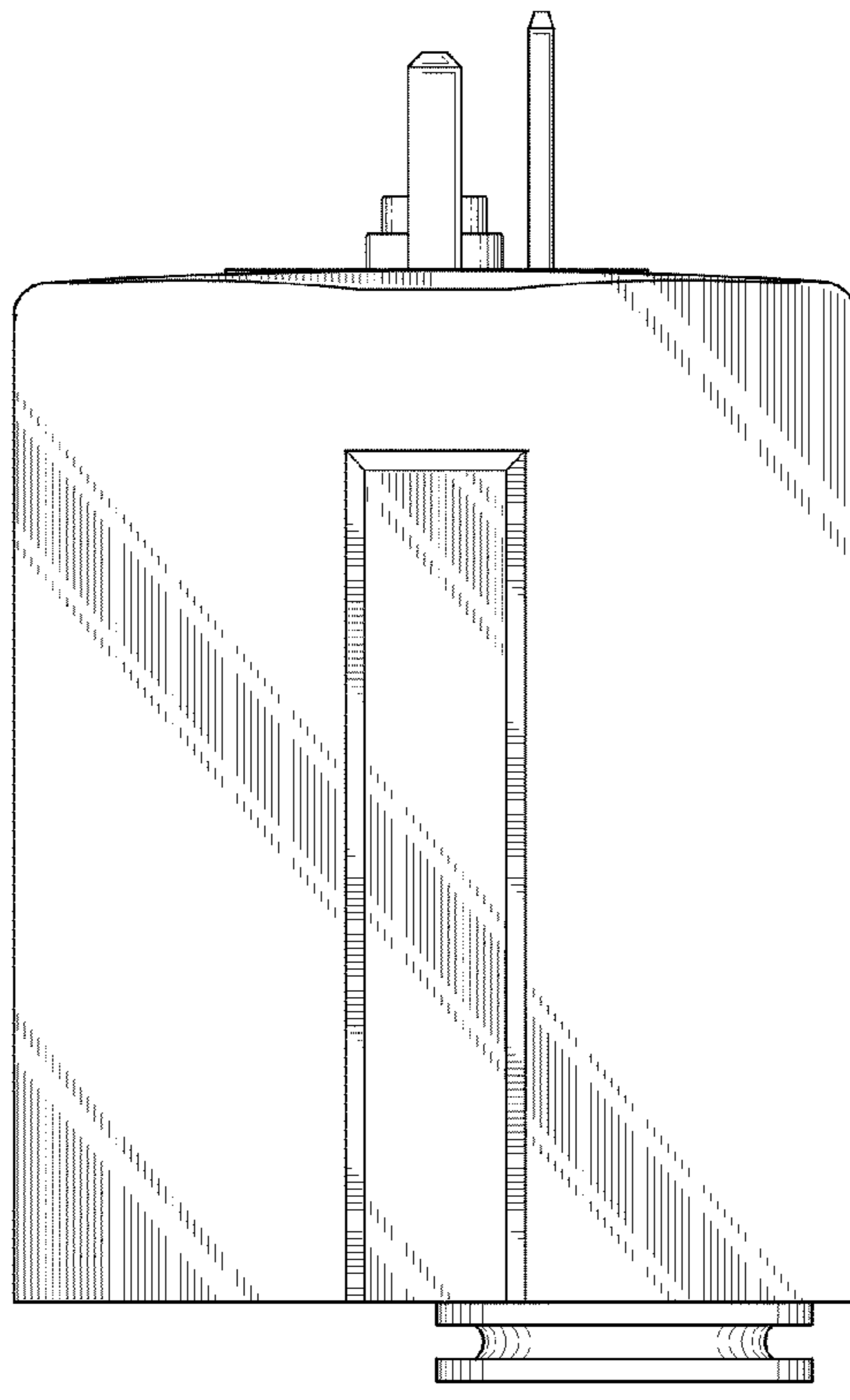


Fig-14

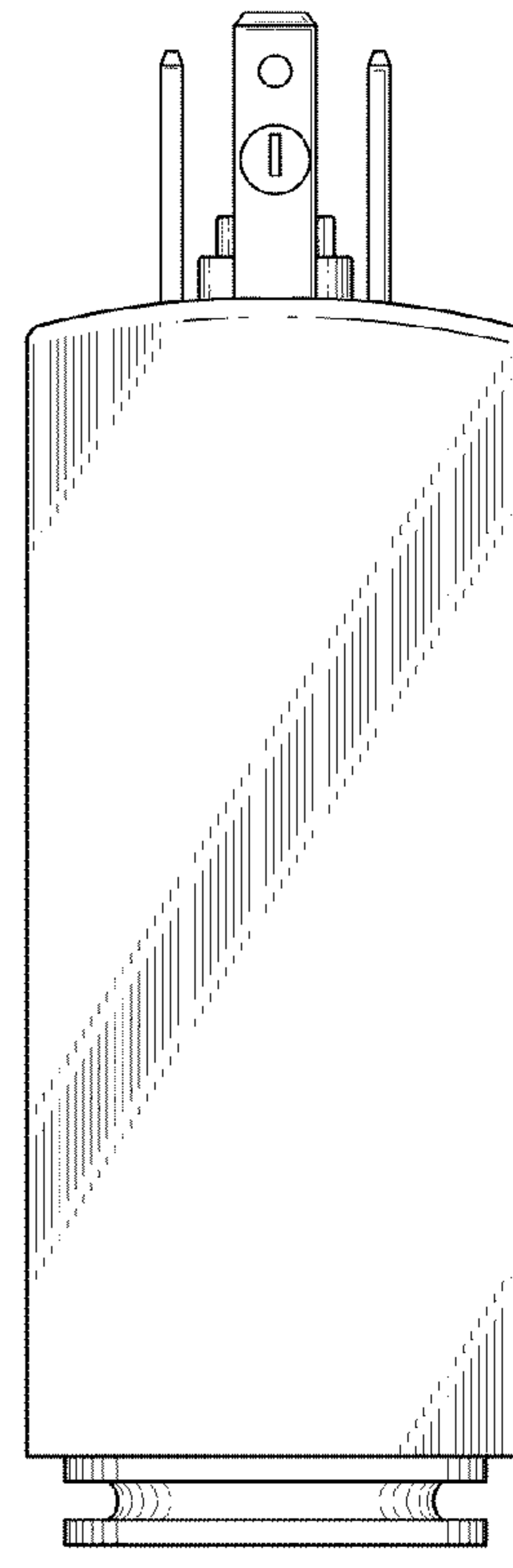


Fig-11

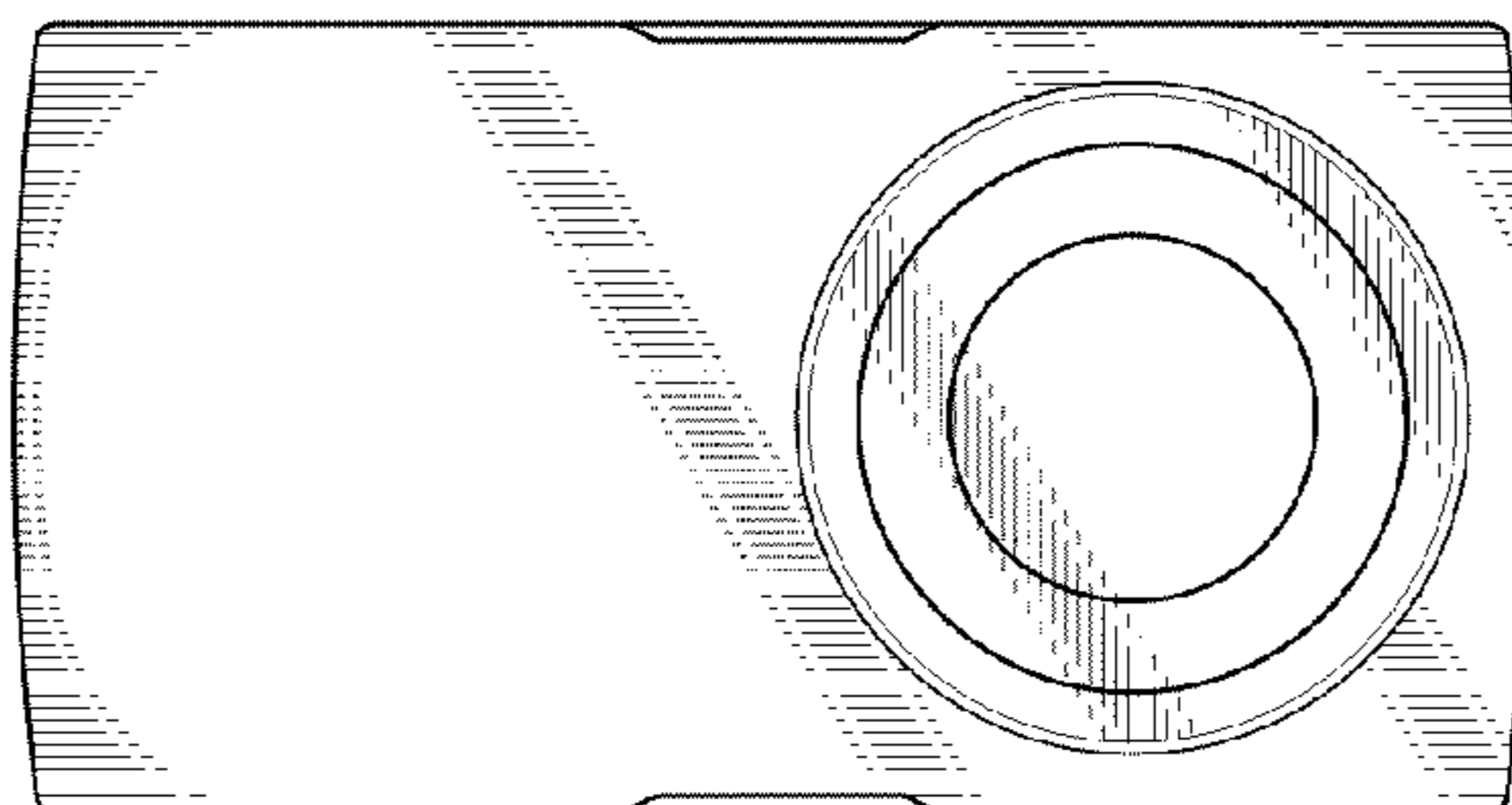


Fig-13