



US00D652474S

(12) **United States Design Patent**
Klement

(10) **Patent No.:** **US D652,474 S**
(45) **Date of Patent:** **** Jan. 17, 2012**

(54) **SHOTGUN SHELL CASING**

(76) Inventor: **Daniel Klement**, Gainesville, TX (US)

(**) Term: **14 Years**

(21) Appl. No.: **29/372,057**

(22) Filed: **Oct. 8, 2010**

(51) **LOC (9) Cl.** **22-03**

(52) **U.S. Cl.** **D22/115**

(58) **Field of Classification Search** D22/115,
D22/116; 102/430, 439, 445, 501-503, 505-511,
102/514, 520; 86/10, 19.5, 51-54; 463/2
See application file for complete search history.

(56) **References Cited**

U.S. PATENT DOCUMENTS

34,950	A *	4/1892	James	102/520
3,176,614	A *	4/1965	Woodring	102/467
3,399,622	A *	9/1968	Houdek	102/453
3,623,431	A *	11/1971	Hendricks	102/450
3,901,158	A *	8/1975	Ferb	102/512
4,065,541	A	12/1977	Eckstein	
4,233,903	A	11/1980	Lage	
4,574,701	A *	3/1986	Fiocchi	102/451
5,359,937	A *	11/1994	Dittrich	102/430
5,685,100	A	11/1997	Atchison	
6,149,705	A *	11/2000	Lowden et al.	75/240
6,889,612	B1 *	5/2005	Liaw et al.	102/477

2004/0237828	A1 *	12/2004	Epstein	102/465
2006/0201374	A1 *	9/2006	de Aguiar	102/502
2007/0084375	A1 *	4/2007	Smith	102/450
2009/0090235	A1 *	4/2009	Brunn	86/18
2010/0037794	A1 *	2/2010	Authement, Sr.	102/459
2011/0017090	A1 *	1/2011	Menefee, III	102/448

* cited by examiner

Primary Examiner — Michael Pratt

(57) **CLAIM**

The ornamental design for a shotgun shell casing, as shown and described.

DESCRIPTION

Reference is made to U.S. Design patent application Ser. No. 29/370,642 filed on Aug. 14, 2010, by the same inventor.

FIG. 1 is a perspective view of the shotgun shell casing.

FIG. 2 is a front view of the shotgun shell casing.

FIG. 3 is a rear view of the shotgun shell casing.

FIG. 4 is a right side view of the shotgun shell casing.

FIG. 5 is a left side view of the shotgun shell casing.

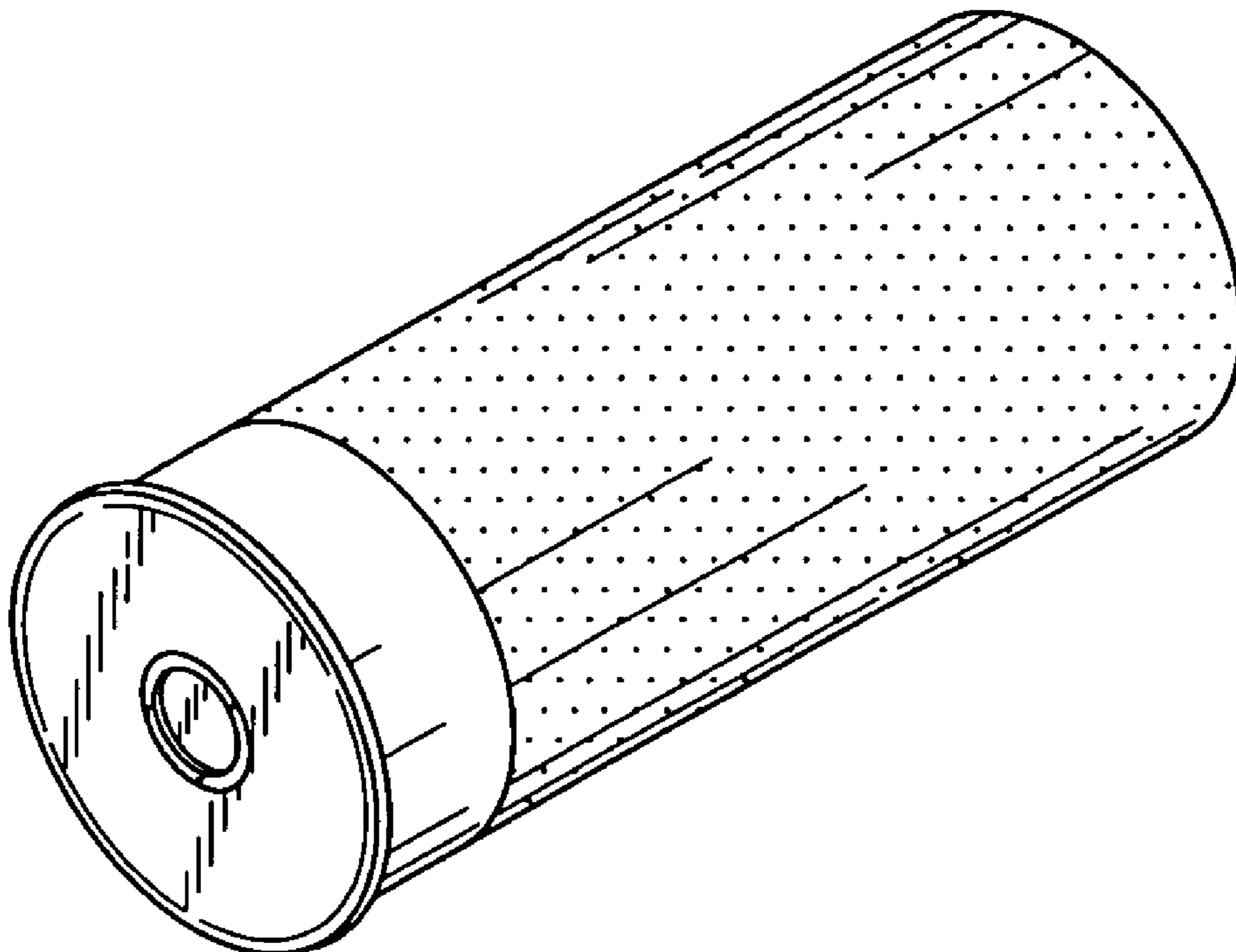
FIG. 6 is a bottom view of the shotgun shell casing; and,

FIG. 7 is a top view of the shotgun shell casing.

The gray tones areas of the shotgun shell casing in all views represents areas that are luminescent.

The broken line showing of portions of the shotgun shell casing in FIG. 6 forms no part of the claimed design.

1 Claim, 2 Drawing Sheets



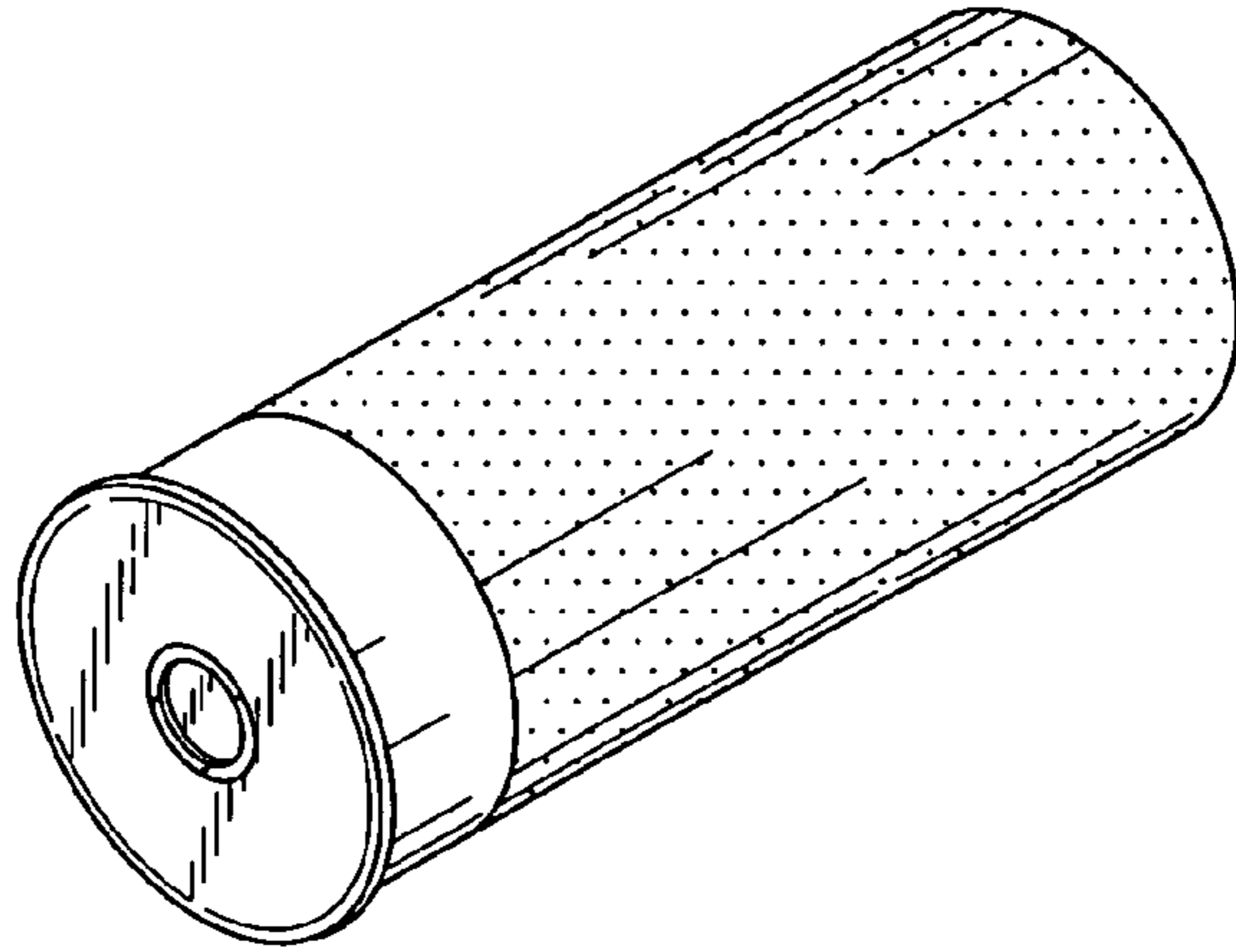


FIG. 1

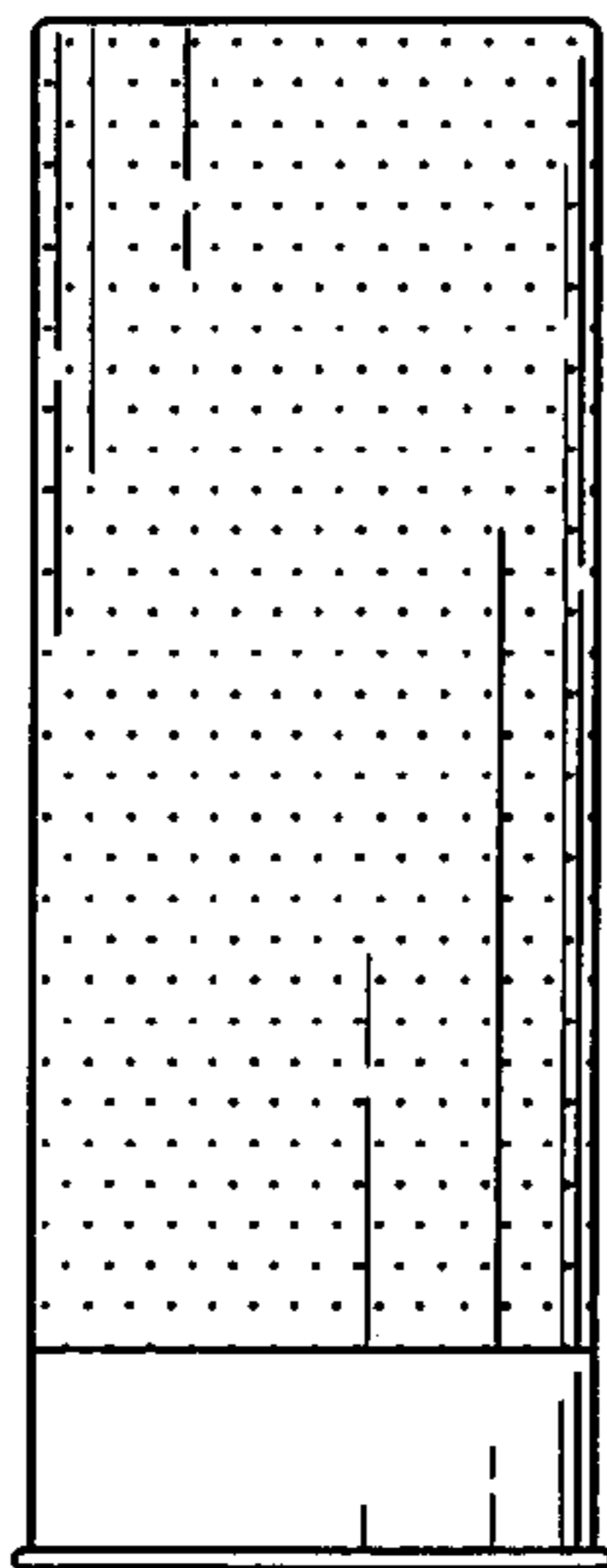


FIG. 2

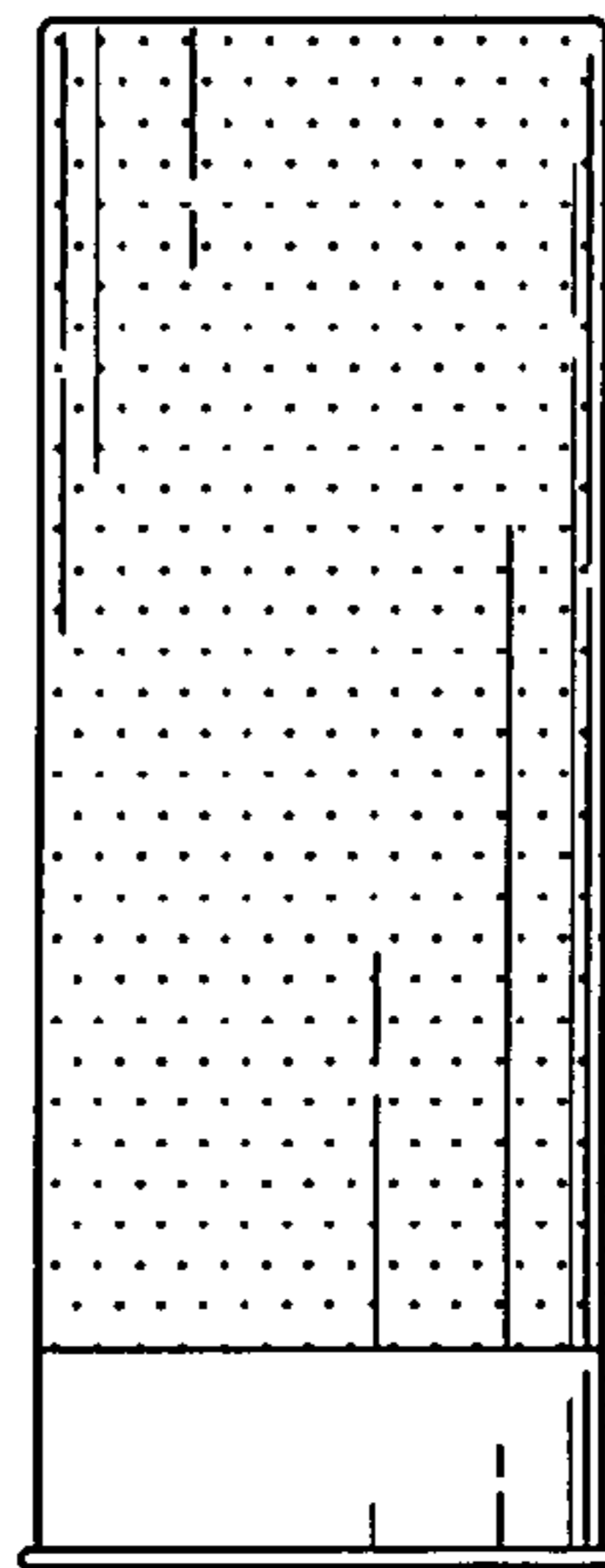


FIG. 3

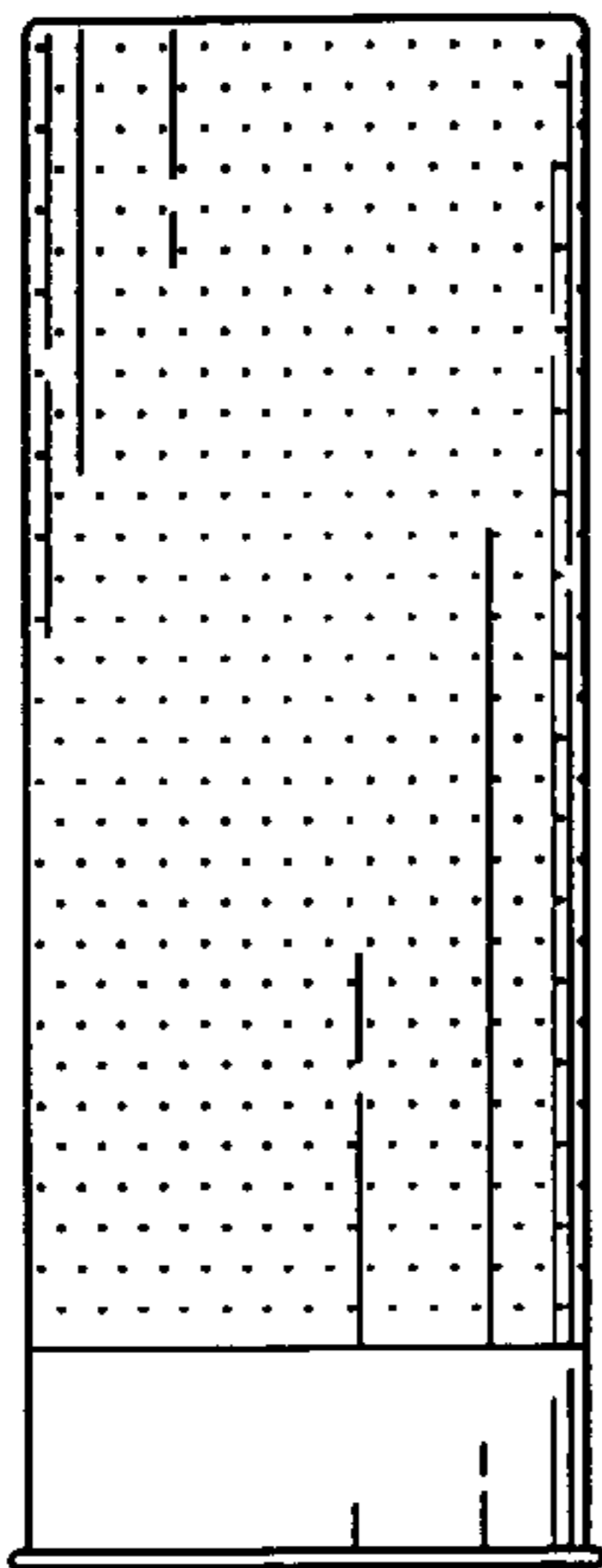


FIG. 4

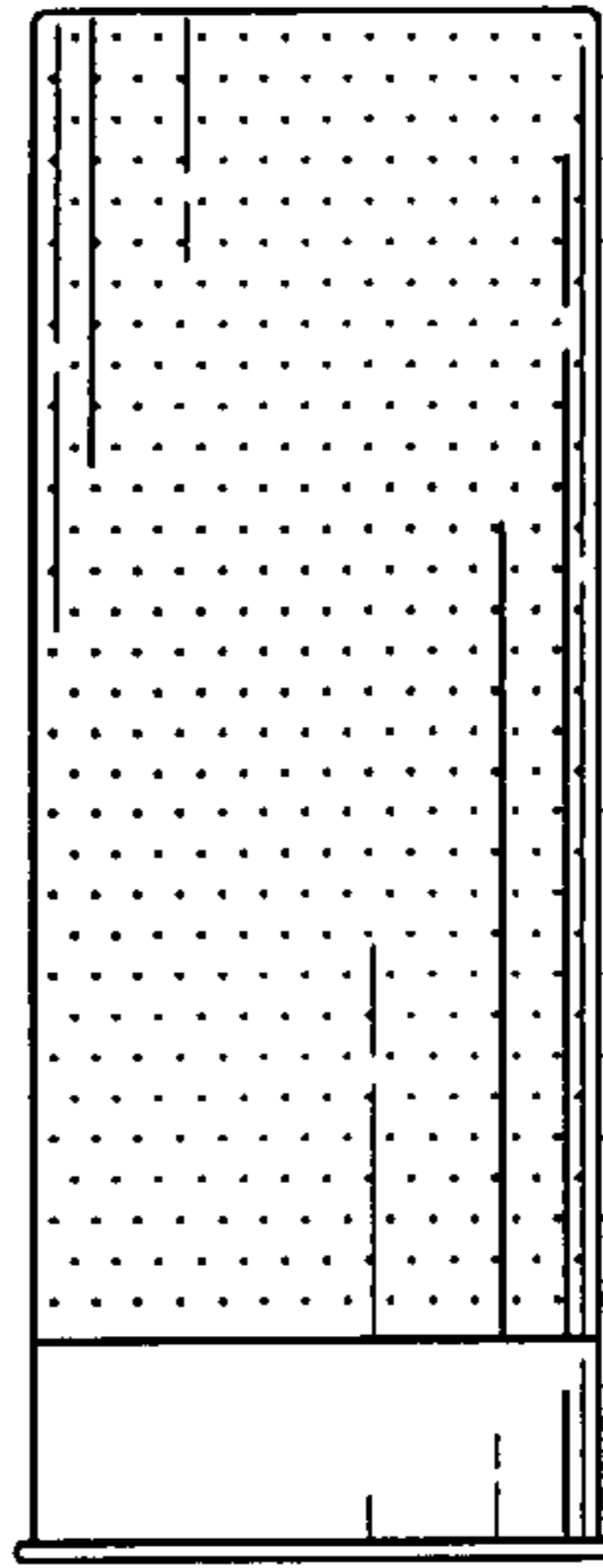


FIG. 5

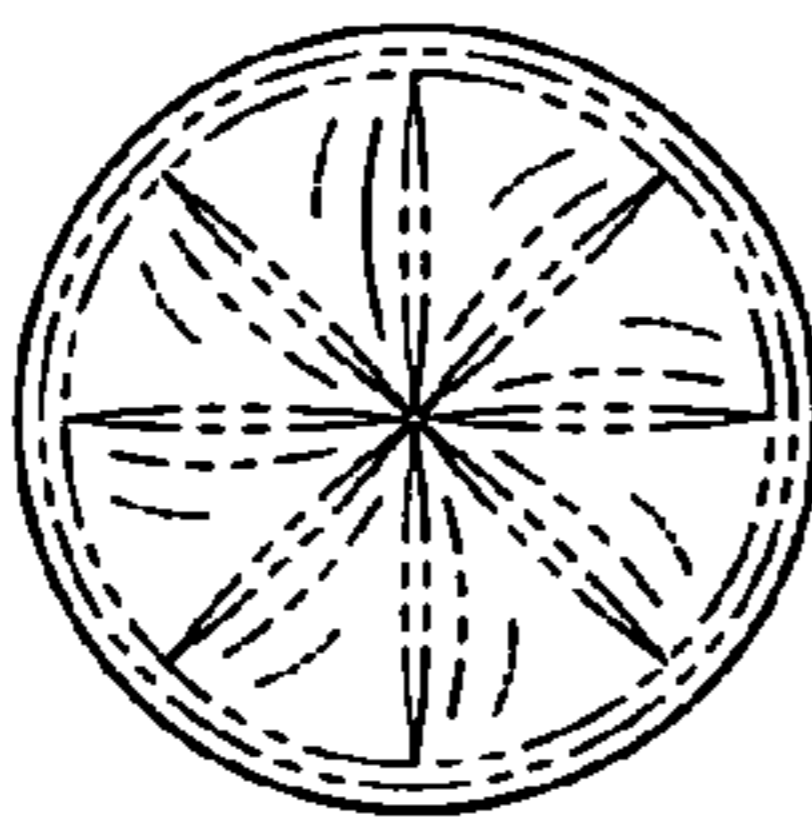


FIG. 6

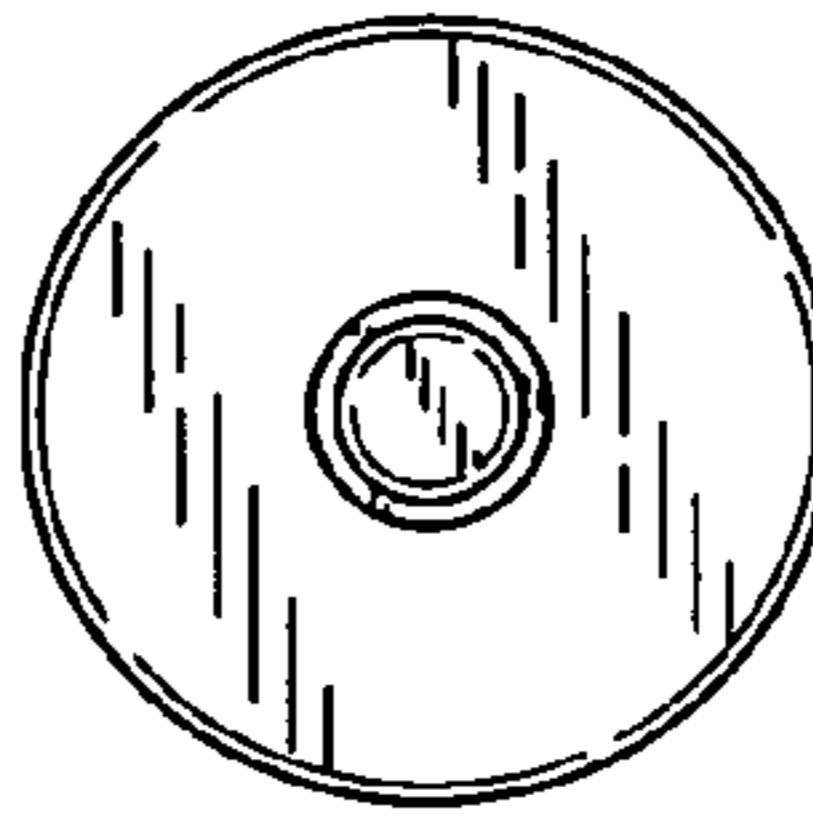


FIG. 7