



US00D652471S

(12) **United States Design Patent**  
**Storch**

(10) **Patent No.:** **US D652,471 S**  
(45) **Date of Patent:** **\*\* Jan. 17, 2012**

(54) **FIREARM TOP COVER SIGHT MOUNT**

(76) Inventor: **Troy Storch**, Waukesha, WI (US)

(\*\*) Term: **14 Years**

(21) Appl. No.: **29/375,569**

(22) Filed: **Sep. 24, 2010**

(51) **LOC (9) Cl.** ..... **22-01**

(52) **U.S. Cl.** ..... **D22/110**

(58) **Field of Classification Search** ..... D22/108-110,  
D22/199; 89/200-204; 359/399, 823, 744;  
42/104, 105, 111-113, 116, 120, 124-126,  
42/127-129, 141-148, 133-140; 33/227,  
33/229

See application file for complete search history.

(56) **References Cited**

**U.S. PATENT DOCUMENTS**

2,018,960	A *	10/1935	Kuhn	42/126
2,377,704	A *	6/1945	Loomis	42/139
2,423,141	A *	7/1947	Ferrel	250/467.1
3,834,035	A *	9/1974	Merrill	42/133
4,660,289	A *	4/1987	Wilhide	42/125
D360,250	S *	7/1995	Coste	D22/110
D398,410	S *	9/1998	Fell et al.	D26/38
D429,790	S *	8/2000	Plonka	D22/110
6,418,657	B1 *	7/2002	Brown	42/124
D547,262	S *	7/2007	Ullman	D13/102
D578,177	S *	10/2008	Norberg et al.	D22/110
D579,511	S *	10/2008	Norberg et al.	D22/110

D589,998 S \* 4/2009 Ollila ..... D16/242  
D589,999 S \* 4/2009 Ollila ..... D16/242  
2010/0290213 A1 \* 11/2010 Griffin ..... 362/119

\* cited by examiner

*Primary Examiner* — T. Chase Nelson

*Assistant Examiner* — Michael Pratt

(74) *Attorney, Agent, or Firm* — Boyle Fredrickson, S.C.

(57) **CLAIM**

The ornamental design for a firearm top cover sight mount, substantially as shown and described.

**DESCRIPTION**

FIG. 1 is a perspective view a firearm top cover sight mount according the present invention;

FIG. 2 is a view similar to FIG. 1 with the environment of the firearm and the sight shown in FIG. 1 removed therefrom;

FIG. 3 is a top plan view of the top cover sight mount shown in FIG. 2;

FIG. 4 is an elevation view of a right side of the top cover sight mount shown in FIG. 2;

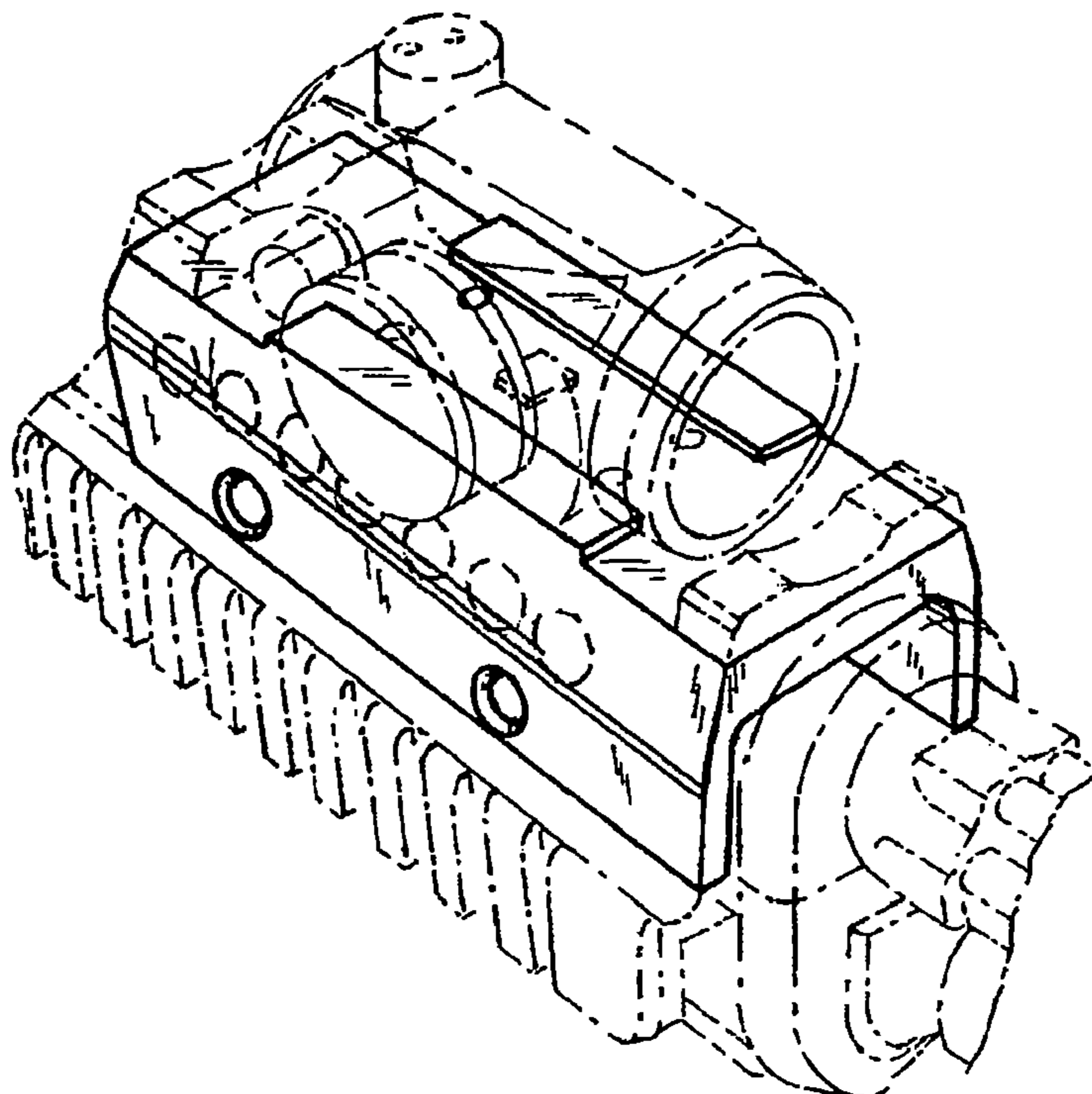
FIG. 5 is an elevation view of a front side of the top cover sight mount shown in FIG. 2; and,

FIG. 6 is a bottom plan view of the top cover sight mount shown in FIG. 2;

The left side and rear side elevation views would be a mirror image of the respective right side and front side elevation views as shown in FIGS. 4 and 5.

The broken lines are for illustrative purposes and represent environmental structure and unclaimed portions of the invention and therefore form no part of the claimed design.

**1 Claim, 2 Drawing Sheets**



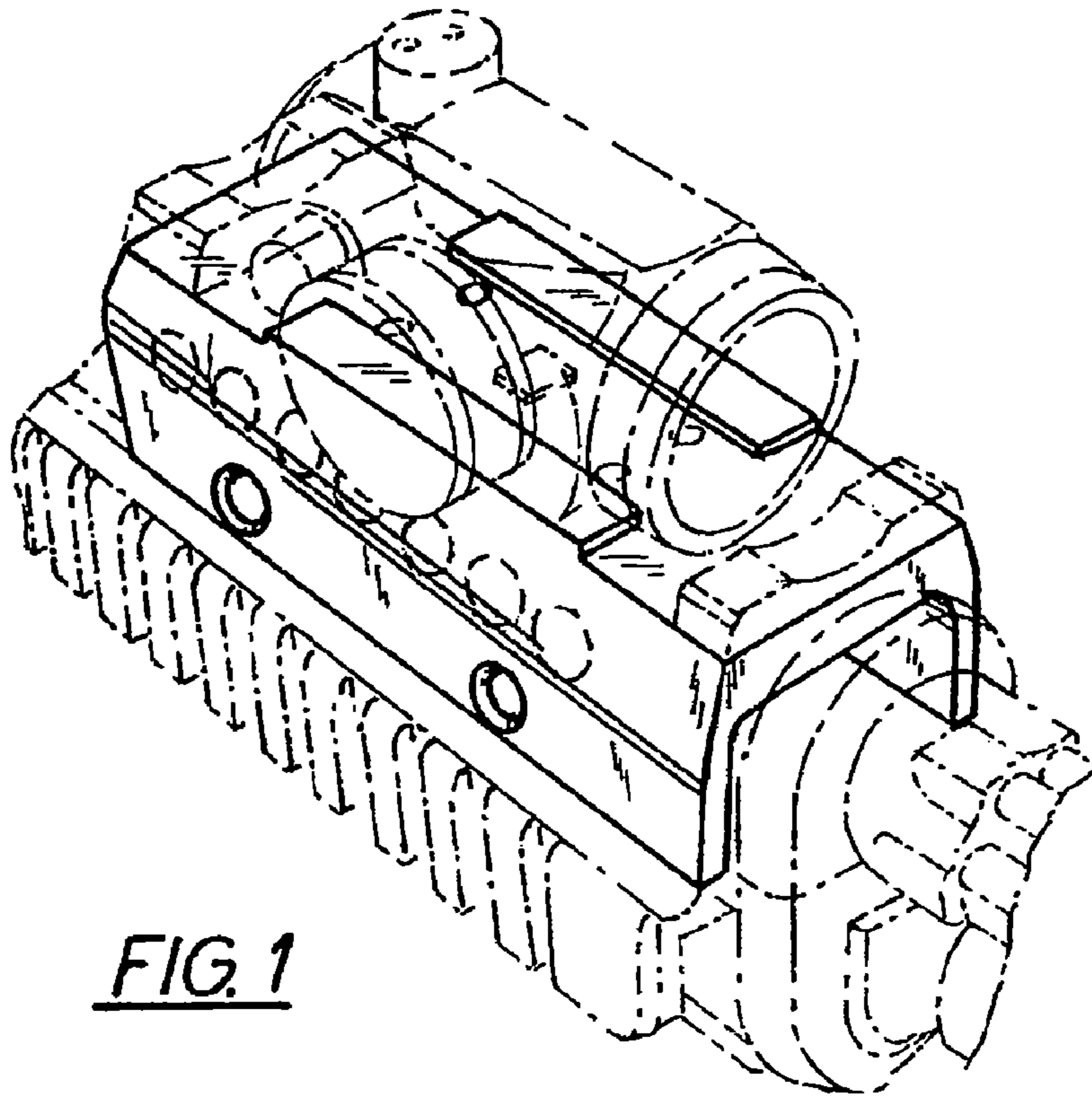


FIG. 1

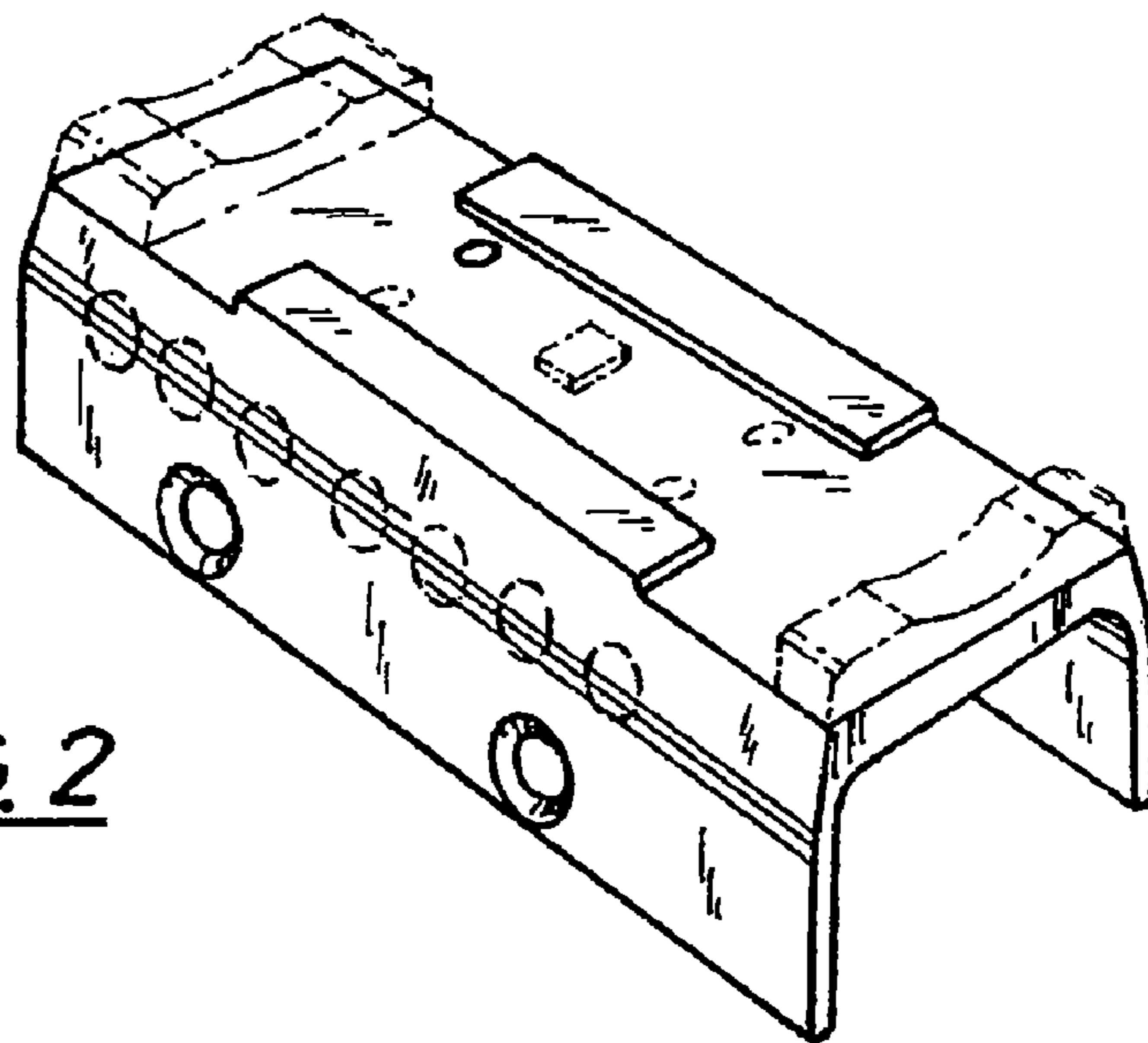


FIG. 2

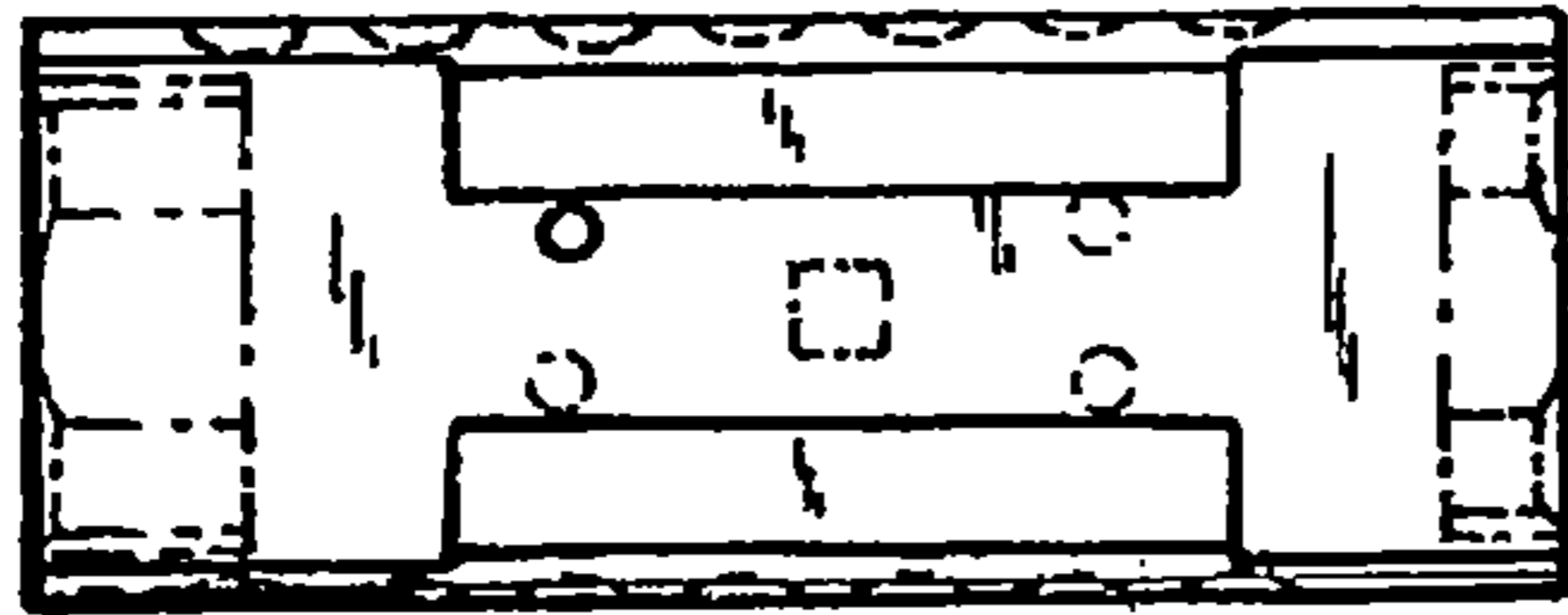


FIG. 3

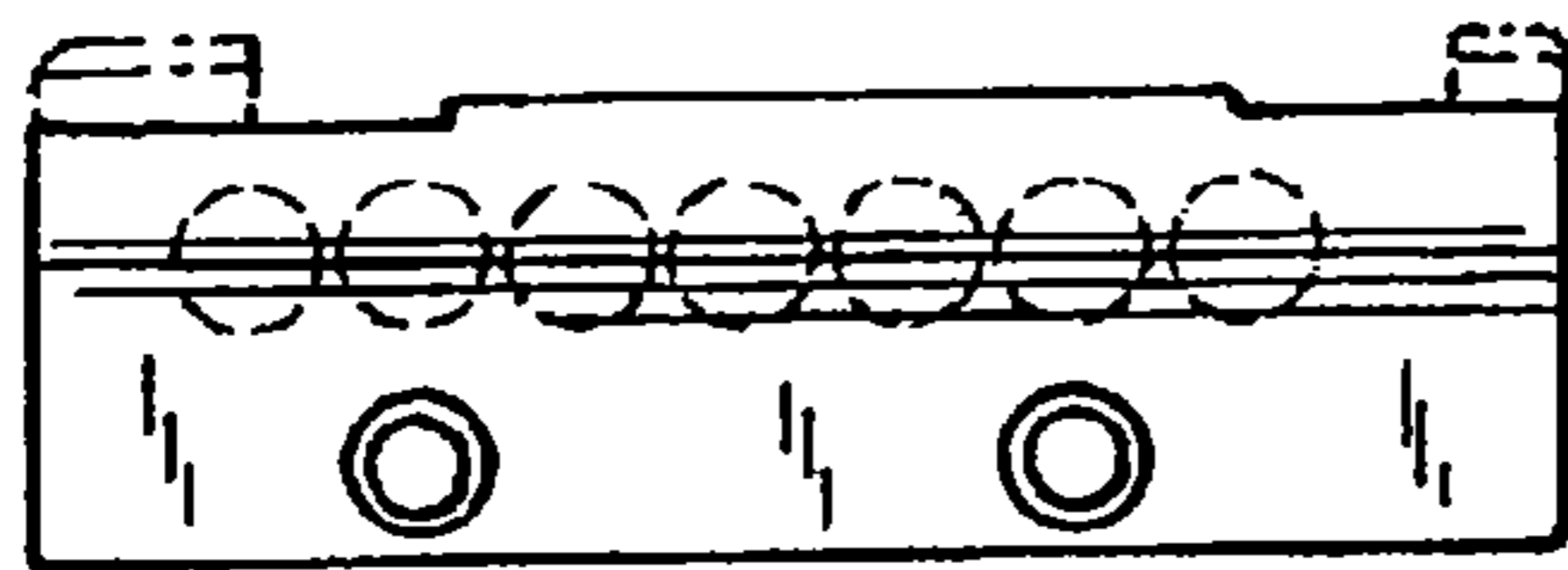


FIG. 4

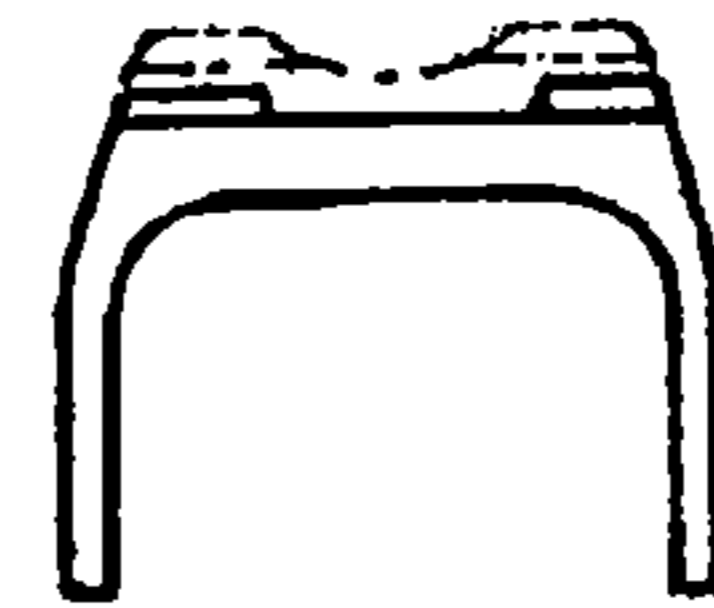


FIG. 5

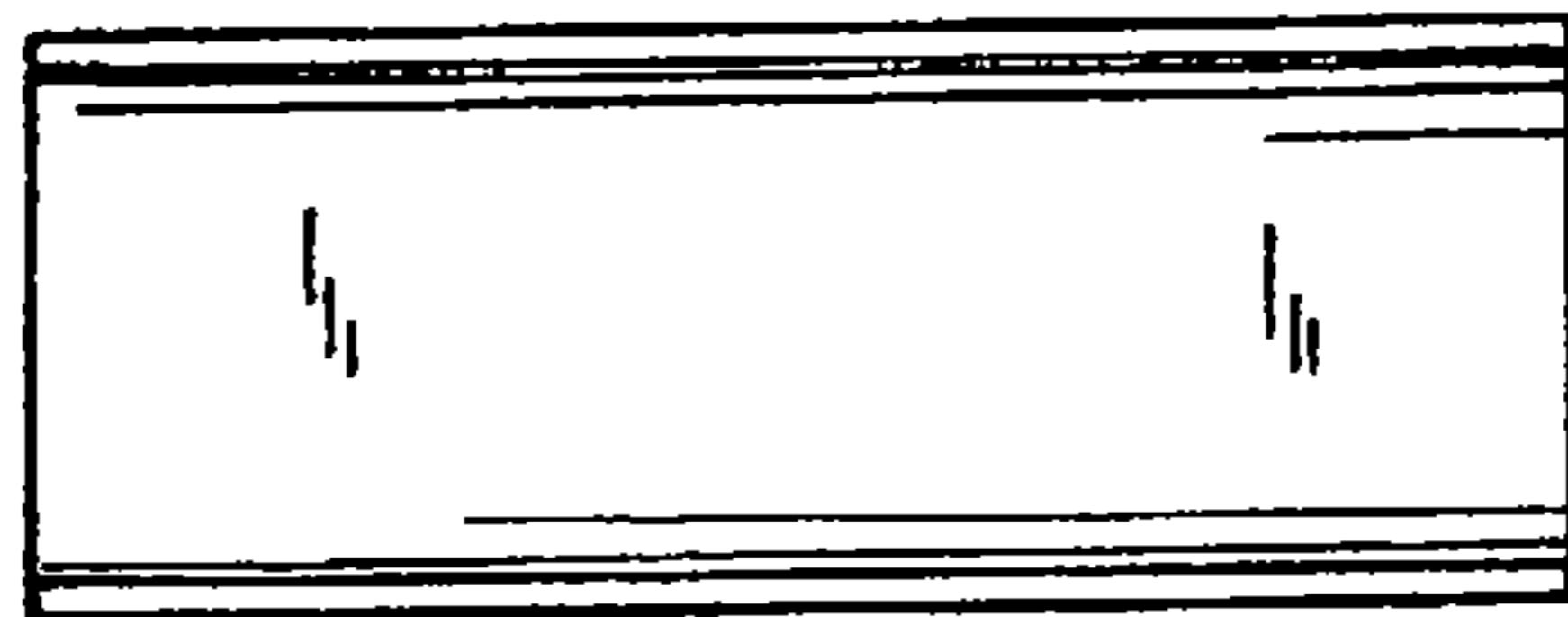


FIG. 6