



US00D652465S

(12) **United States Design Patent**  
**Rollinson**

(10) **Patent No.:** **US D652,465 S**

(45) **Date of Patent:** **\*\* \*Jan. 17, 2012**

(54) **PUTTER HEAD**

(75) **Inventor:** **Augustin W. Rollinson**, Carlsbad, CA  
(US)

(73) **Assignee:** **Callaway Golf Company**, Carlsbad, CA  
(US)

(\*) **Notice:** This patent is subject to a terminal disclaimer.

(\*\*) **Term:** **14 Years**

(21) **Appl. No.:** **29/387,215**

(22) **Filed:** **Mar. 10, 2011**

(51) **LOC (9) Cl.** ..... **21-02**

(52) **U.S. Cl.** ..... **D21/743**

(58) **Field of Classification Search** ..... D21/736-746;  
473/324-331, 340-341, 251-256

See application file for complete search history.

(56) **References Cited**

U.S. PATENT DOCUMENTS

D310,115 S *	8/1990	Inuma .....	D21/739
D314,031 S *	1/1991	Inuma .....	D21/739
D537,136 S *	2/2007	De La Cruz .....	D21/744

\* cited by examiner

*Primary Examiner* — Mitchell Siegel

(74) *Attorney, Agent, or Firm* — Rebecca Hanovice;  
Michael A. Catania; Sonia Lari

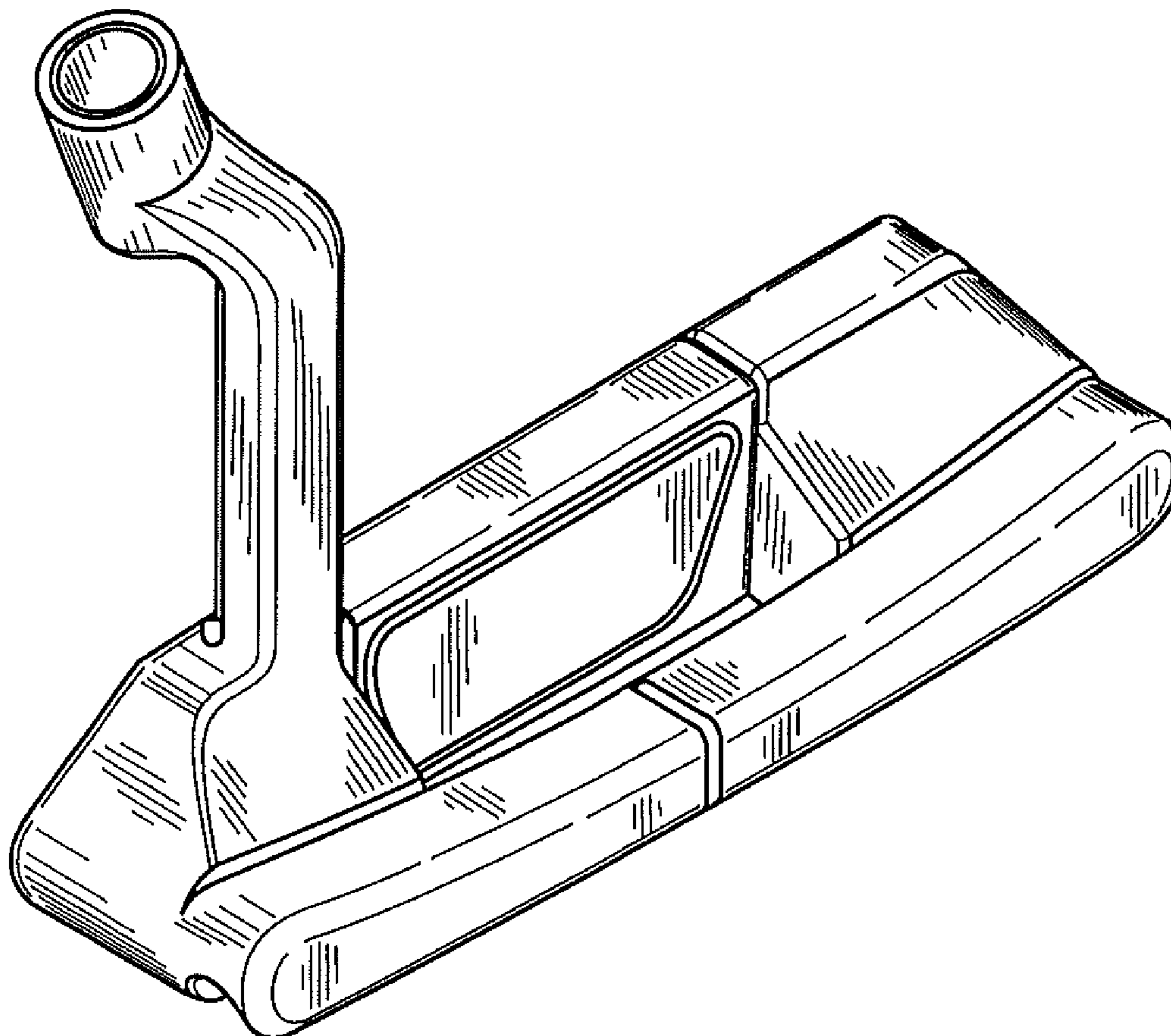
(57) **CLAIM**

The ornamental design for a putter head, as shown and described.

**DESCRIPTION**

FIG. 1 is a top perspective view of a putter head;  
FIG. 2 is a front plan view thereof;  
FIG. 3 is a rear plan view thereof;  
FIG. 4 is a toe elevational view thereof;  
FIG. 5 is a heel elevational view thereof;  
FIG. 6 is a top plan view thereof; and,  
FIG. 7 is a bottom plan view thereof.

**1 Claim, 2 Drawing Sheets**



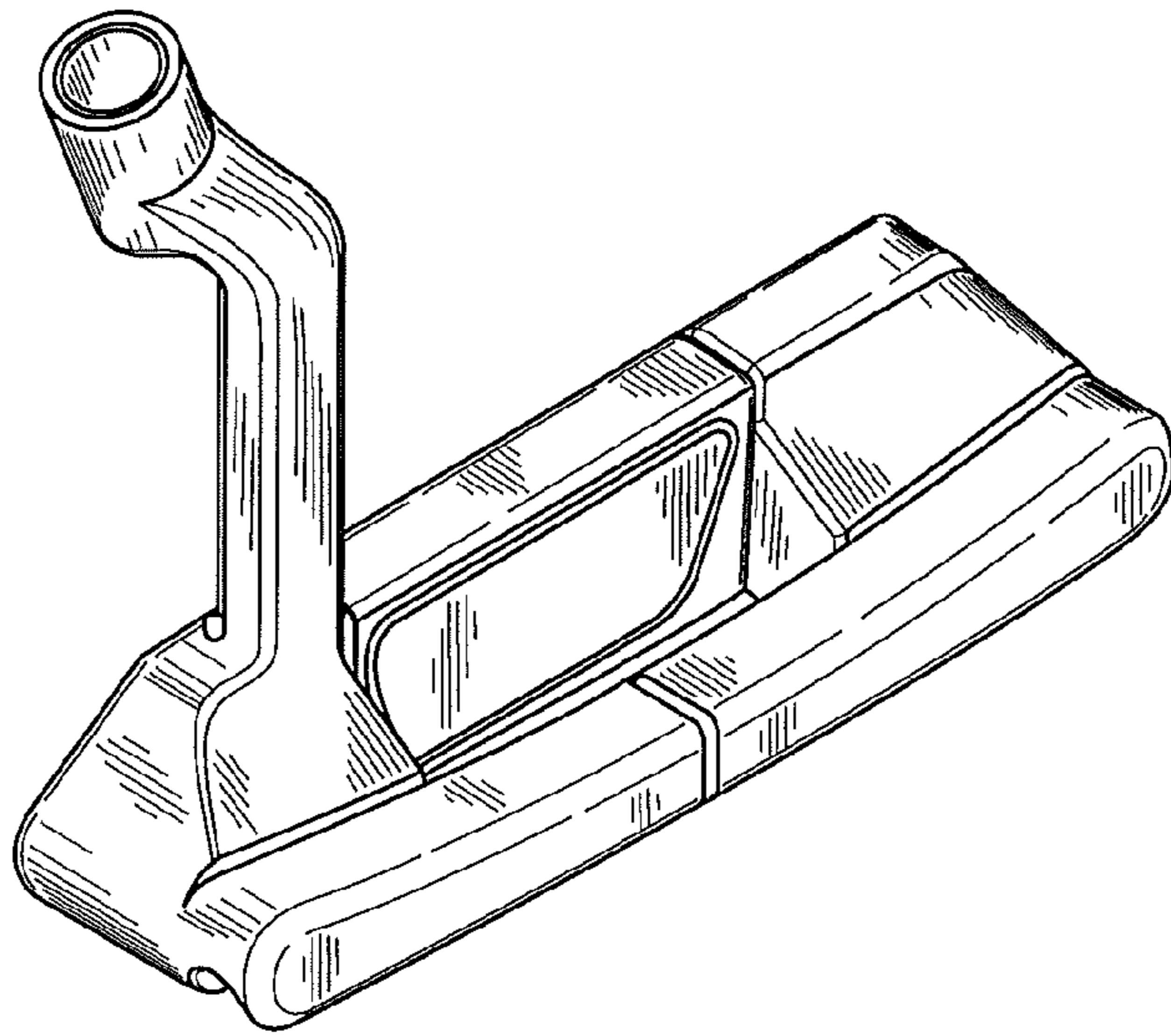


FIG. 1

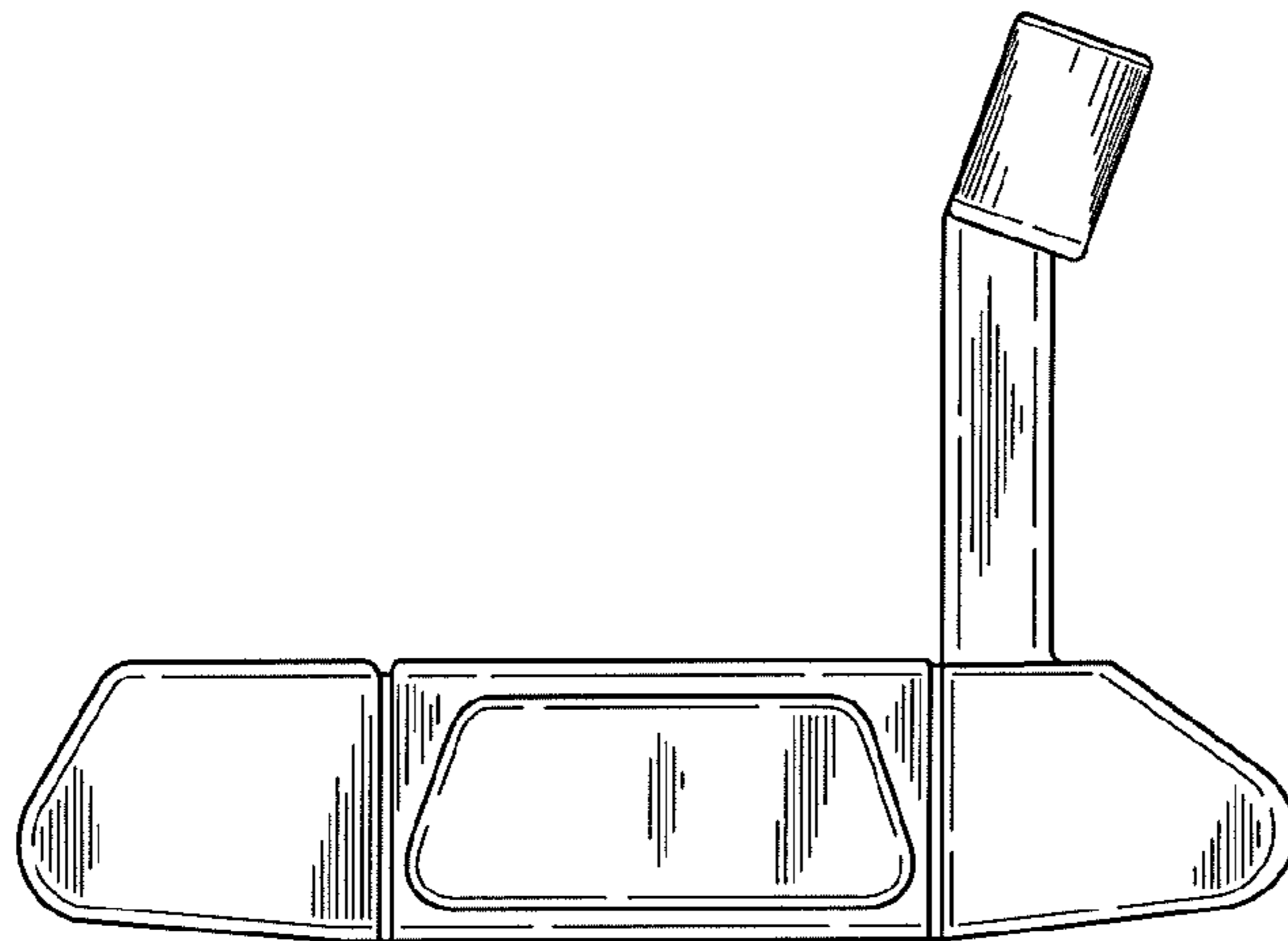


FIG. 2

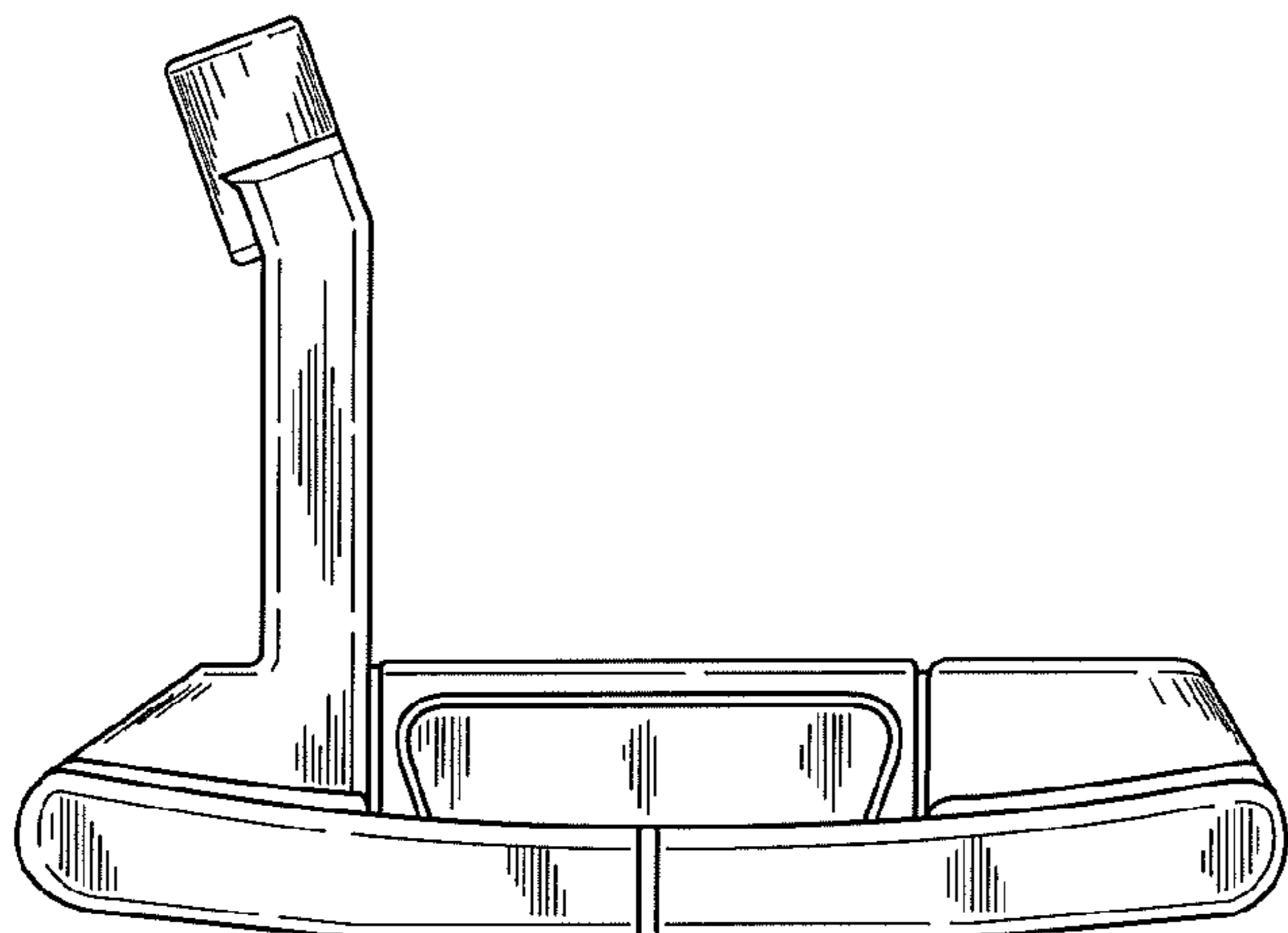
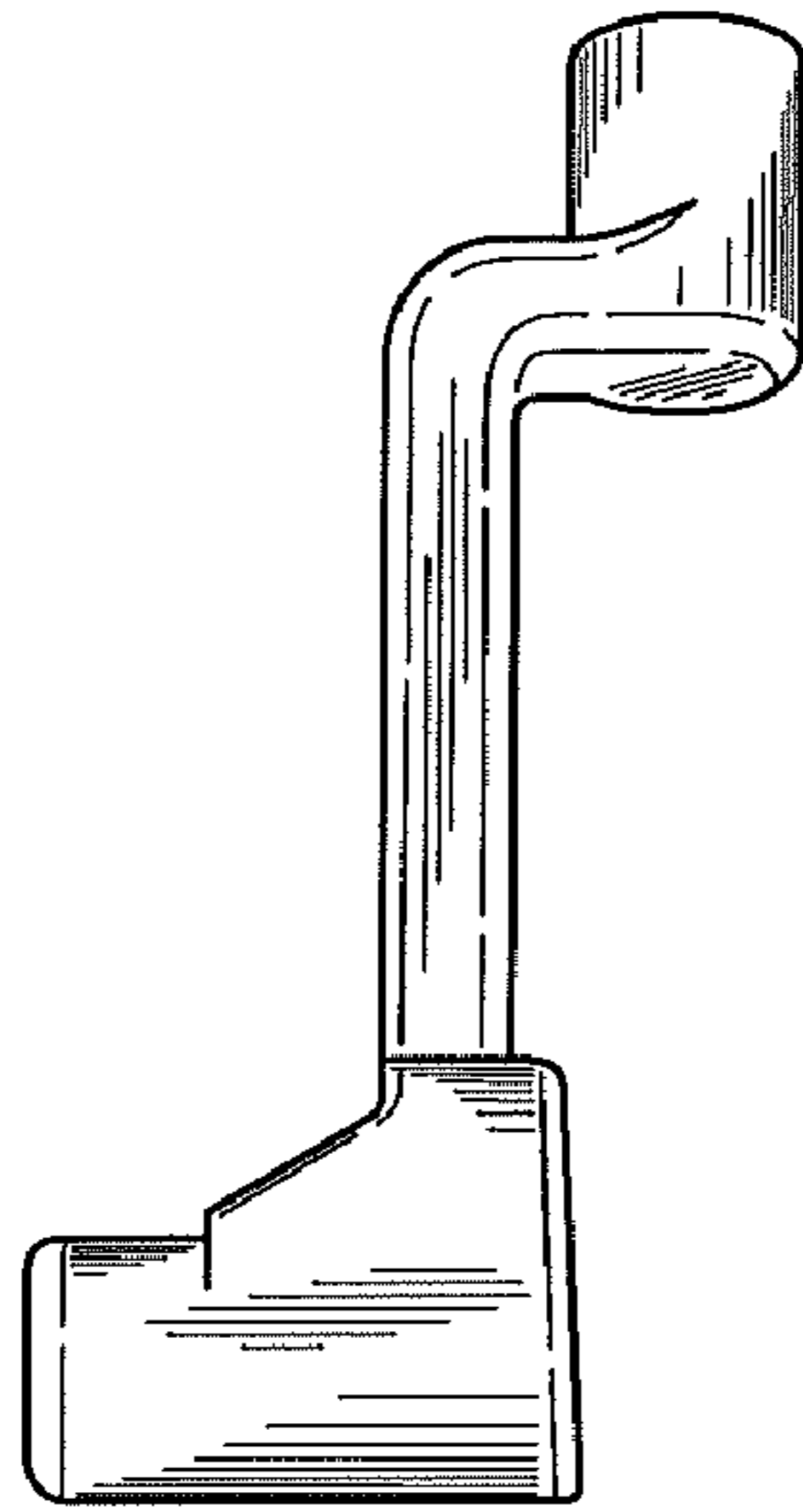
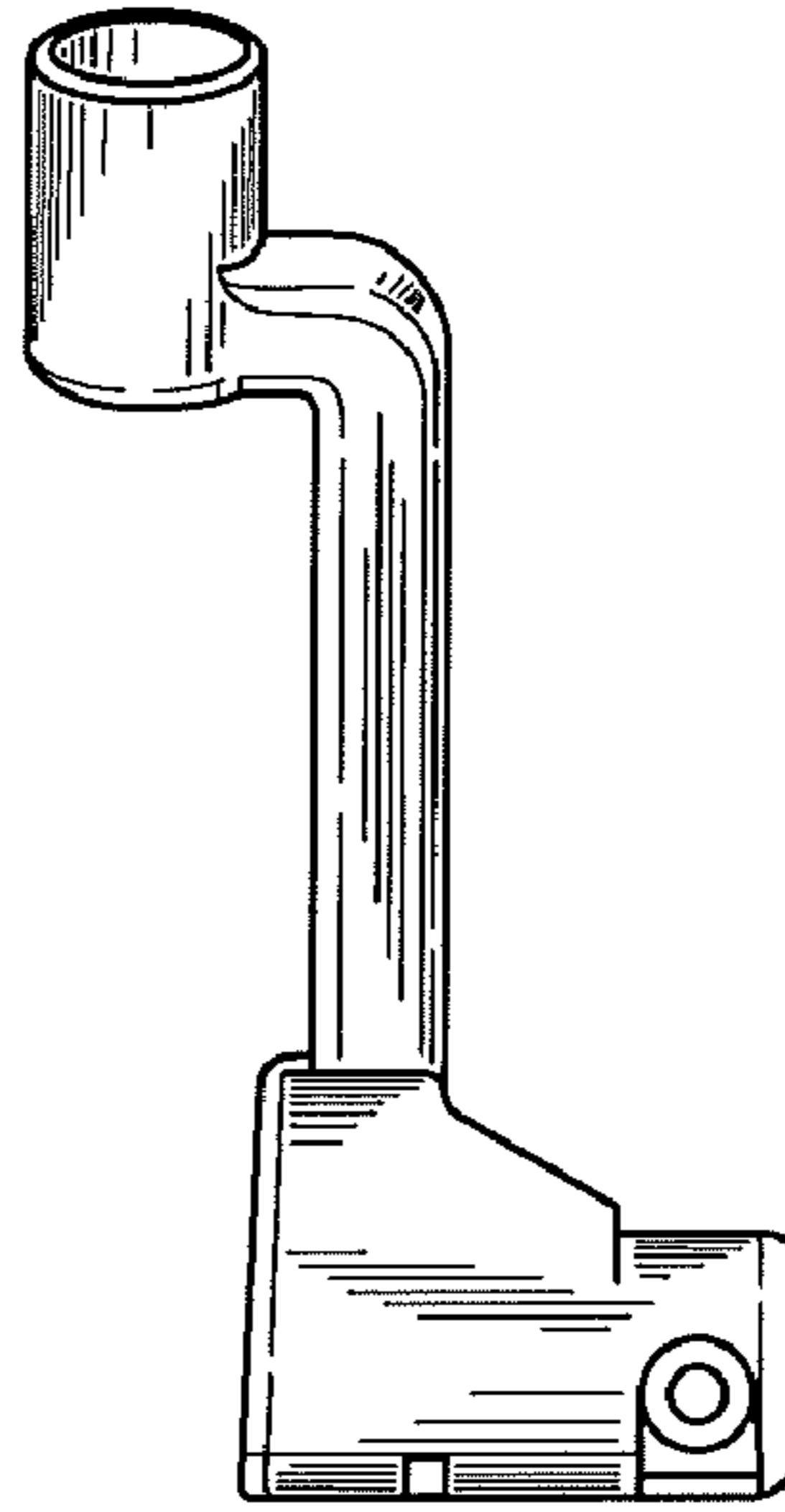


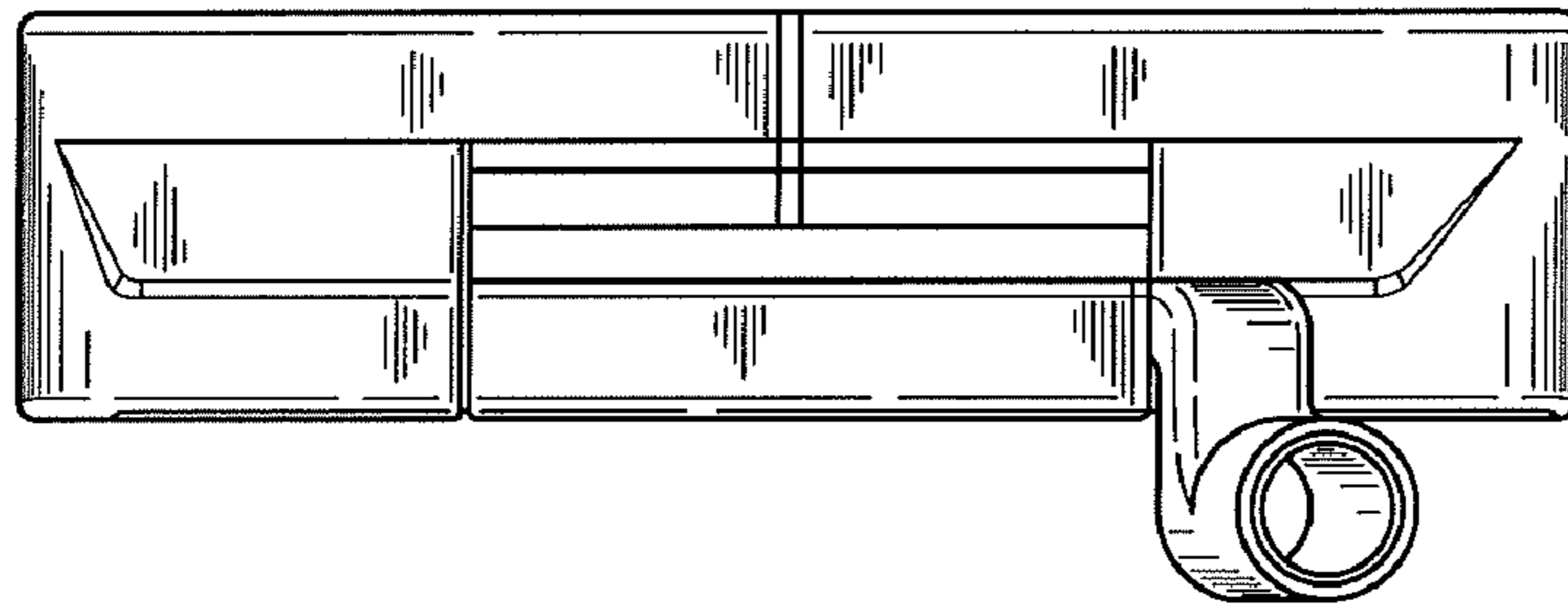
FIG. 3



**FIG. 4**



**FIG. 5**



**FIG. 6**



**FIG. 7**