



US00D652462S

(12) **United States Design Patent**
Sun

(10) **Patent No.:** **US D652,462 S**
(45) **Date of Patent:** **** Jan. 17, 2012**

- (54) **PORTABLE GAME ENCLOSURE**
 - (76) Inventor: **Conrad Sun**, Encinitas, CA (US)
 - (**) Term: **14 Years**
 - (21) Appl. No.: **29/345,979**
 - (22) Filed: **Oct. 23, 2009**
 - (51) **LOC (9) Cl.** **21-02**
 - (52) **U.S. Cl.** **D21/706; D21/300**
 - (58) **Field of Classification Search** D21/300–303,
D21/338–346, 363, 385, 397, 398, 399, 484,
D21/489, 491, 494, 500, 505–507, 530, 787,
D21/811, 814, 815; D6/329, 331, 332, 403,
D6/455, 475, 491, 492, 509, 512; D25/1,
D25/2, 12, 32, 35, 38, 39, 47, 50, 53, 102,
D25/113, 138, 199; D11/130, 130.1, 143,
D11/144, 164; 473/3, 13, 15, 18, 157, 162,
473/415–504; 273/317, 317.1, 348, 398,
273/401, 406, 407, 108, 108.1, 108.21, 108.5,
273/118 R, 126 R, 236, 285, 287, 148 R,
273/309, 440, 459; 446/105, 108–128, 227,
446/476, 478, 487, 488, 489, 491; 256/1,
256/19, 24–31, 73; 472/92–94, 126; 52/64,
52/80.1, 81.1, 81.4, 102, 575, 578–592.6,
52/604, DIG. 6, DIG. 10; 119/416, 452,
119/502, 504, 512, 513; 403/345, 348, 349,
403/354, 355, 359.5, 359.6, 367, 375, 380–382,
403/401, 403, DIG. 14; 47/32.4, 33, 65.5,
47/66.1, 86
- See application file for complete search history.

4,098,507	A *	7/1978	Hudon	273/108.21
4,334,683	A *	6/1982	Campbell	273/126 R
4,480,414	A *	11/1984	Tschudy et al.	52/82
4,580,385	A *	4/1986	Field	52/578
4,822,315	A *	4/1989	Ben-Gal et al.	446/102
5,371,982	A *	12/1994	Douglas et al.	52/64
5,595,230	A *	1/1997	Guerra	160/135
5,797,219	A *	8/1998	Croswell	52/69
D415,533	S *	10/1999	Shost et al.	D21/303
6,299,166	B1 *	10/2001	Factor	273/146
6,379,077	B1 *	4/2002	Camber et al.	403/367
7,195,562	B2 *	3/2007	Soderberg	472/89
7,303,358	B1 *	12/2007	Fuller	405/114
2002/0022540	A1 *	2/2002	Slomski et al.	473/478

* cited by examiner

Primary Examiner — Catherine Tuttle
(74) *Attorney, Agent, or Firm* — Richard D. Clarke

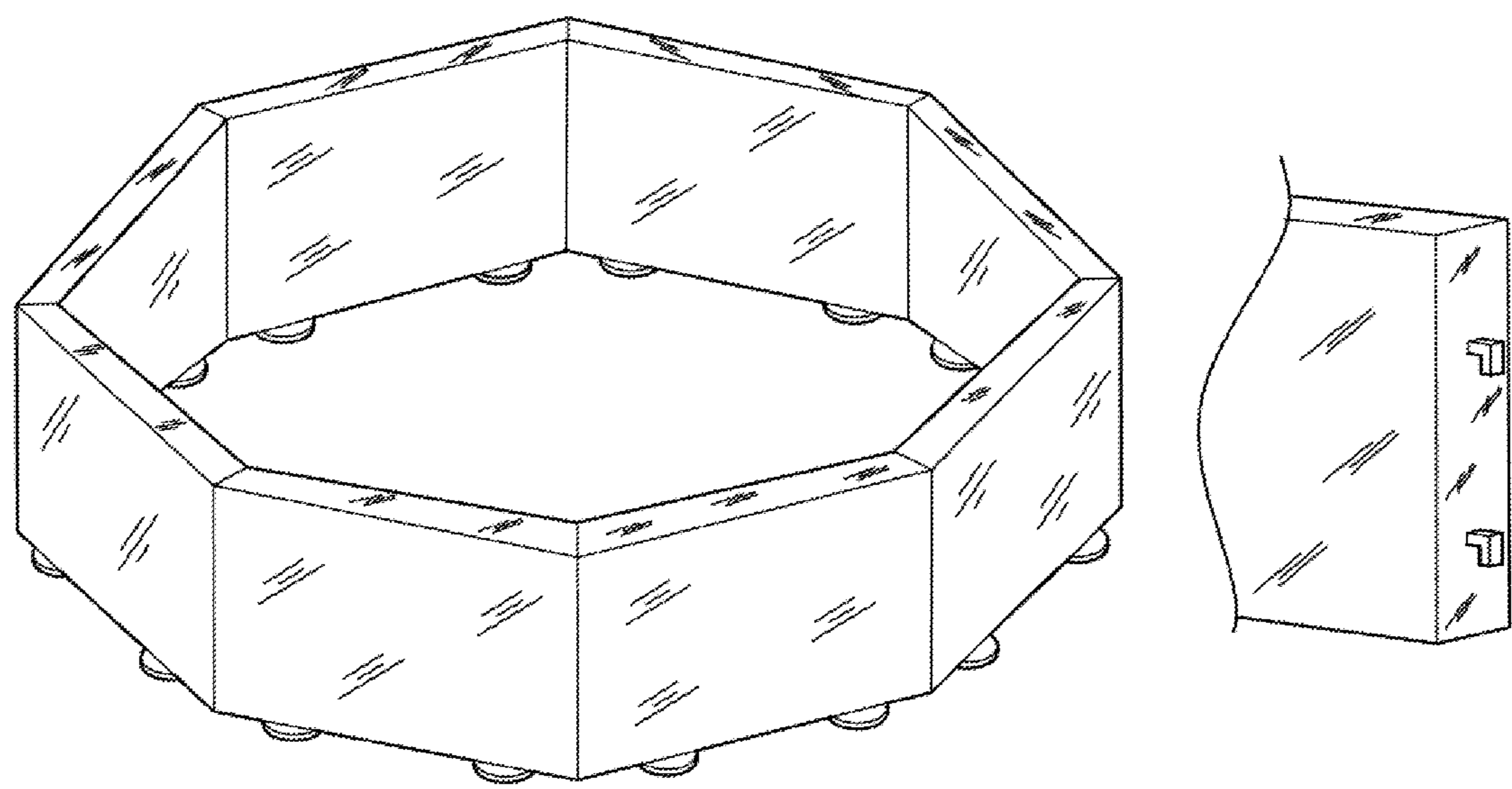
(57) **CLAIM**
I claim the ornamental design for a portable game enclosure, as shown and described.

DESCRIPTION

FIG. 1 is a front and top perspective view of the portable game enclosure in its assembled state;
 FIG. 2 is a top plan view thereof;
 FIG. 3 is a bottom plan view thereof;
 FIG. 4 is an enlarged scale front view showing one panel unit as it appears when the design is disassembled;
 FIG. 5 is a rear view thereof;
 FIG. 6 is a bottom view thereof;
 FIG. 7 is a top view thereof;
 FIG. 8 is a left side elevation view thereof;
 FIG. 9 is a right side elevation view thereof;
 FIG. 10 is a fragmentary upper rear and left perspective view thereof; and,
 FIG. 11 is a fragmentary upper rear and right perspective view thereof.

1 Claim, 5 Drawing Sheets

- (56) **References Cited**
- U.S. PATENT DOCUMENTS
- 2,607,591 A * 8/1952 Tilley 273/342
- 3,137,095 A * 6/1964 Pearson 47/83
- 3,904,193 A * 9/1975 Patterson 472/94
- 3,913,918 A * 10/1975 Trachtman 273/126 R



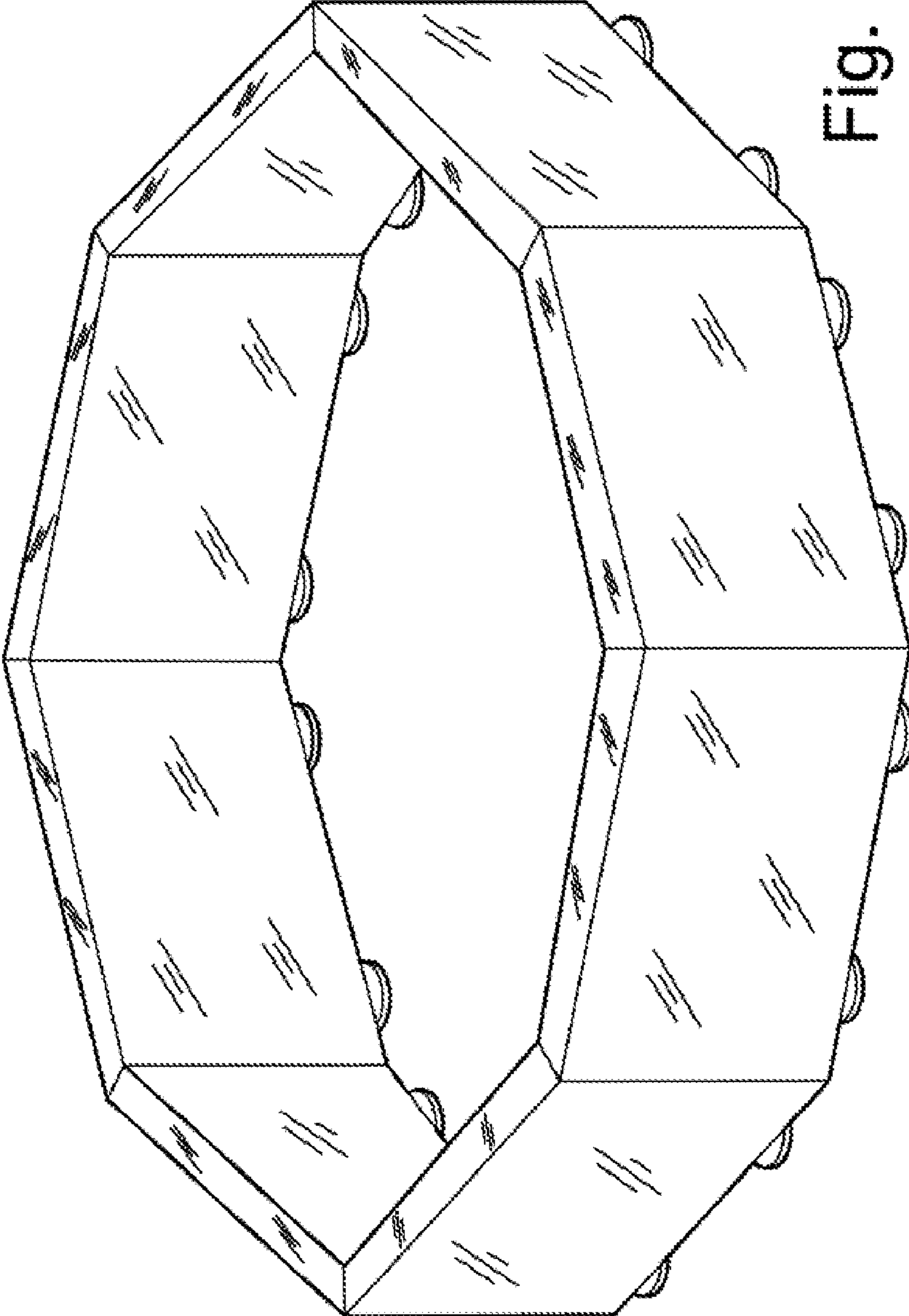


Fig. 1

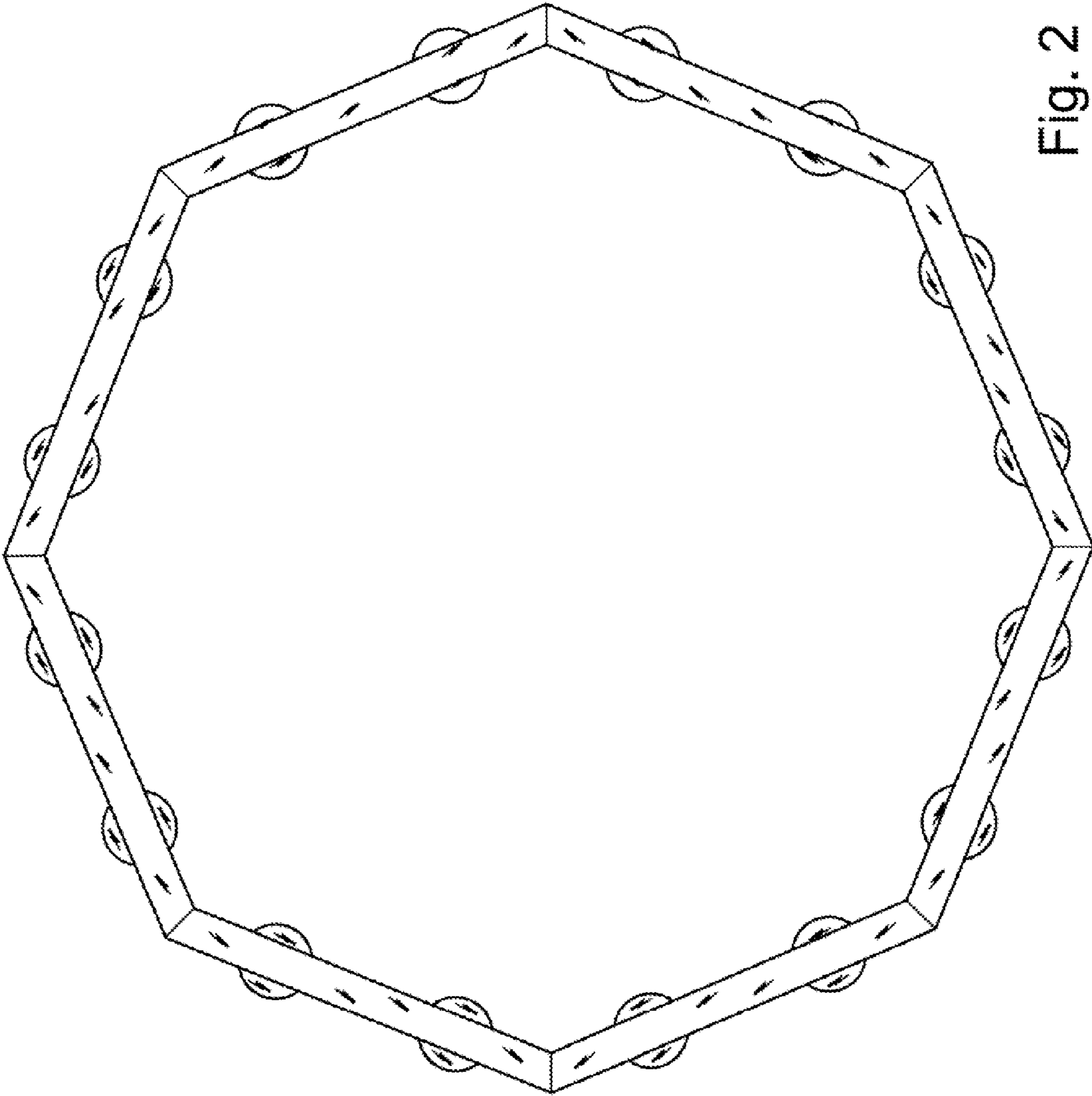


Fig. 2

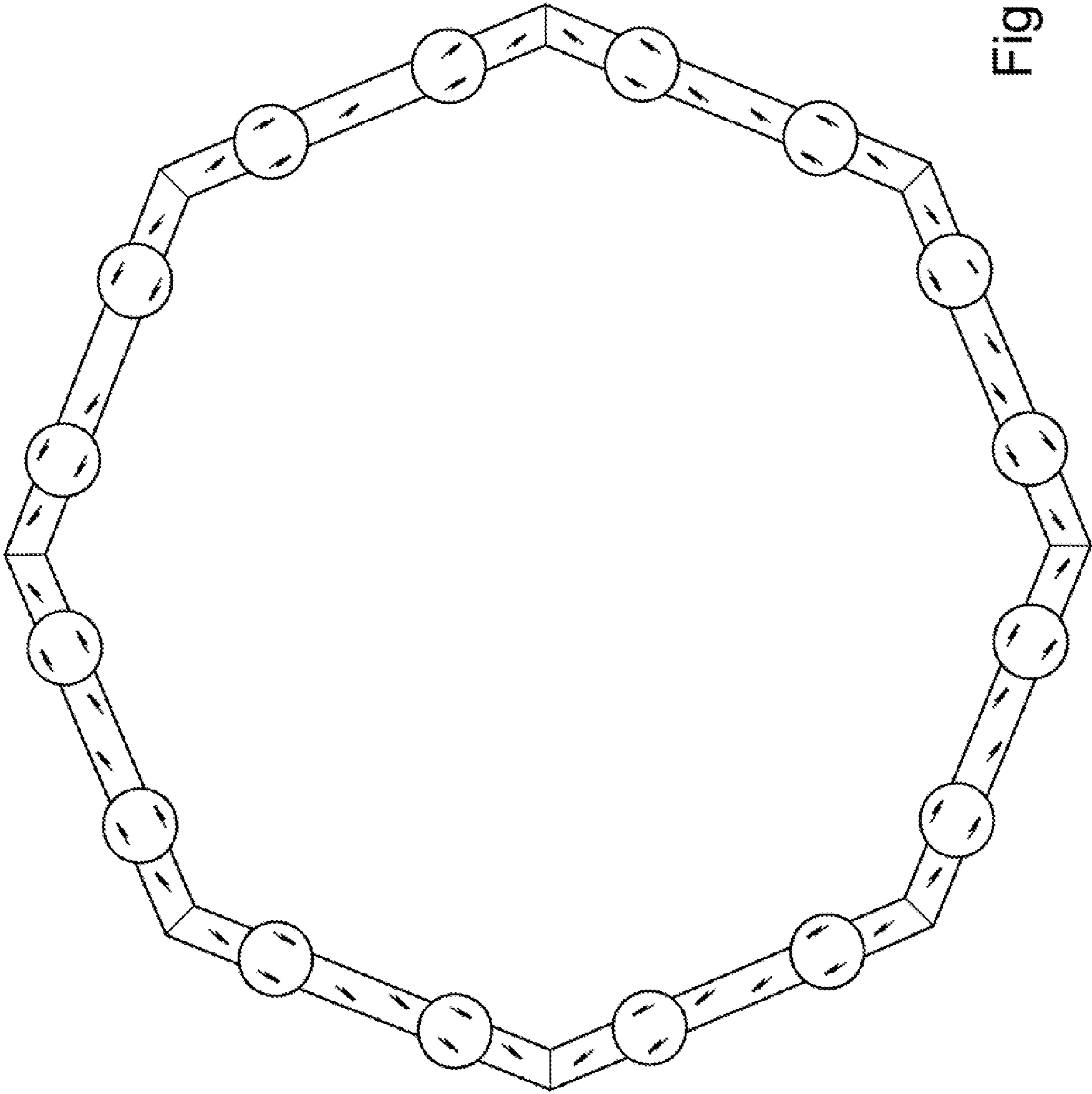


Fig. 3

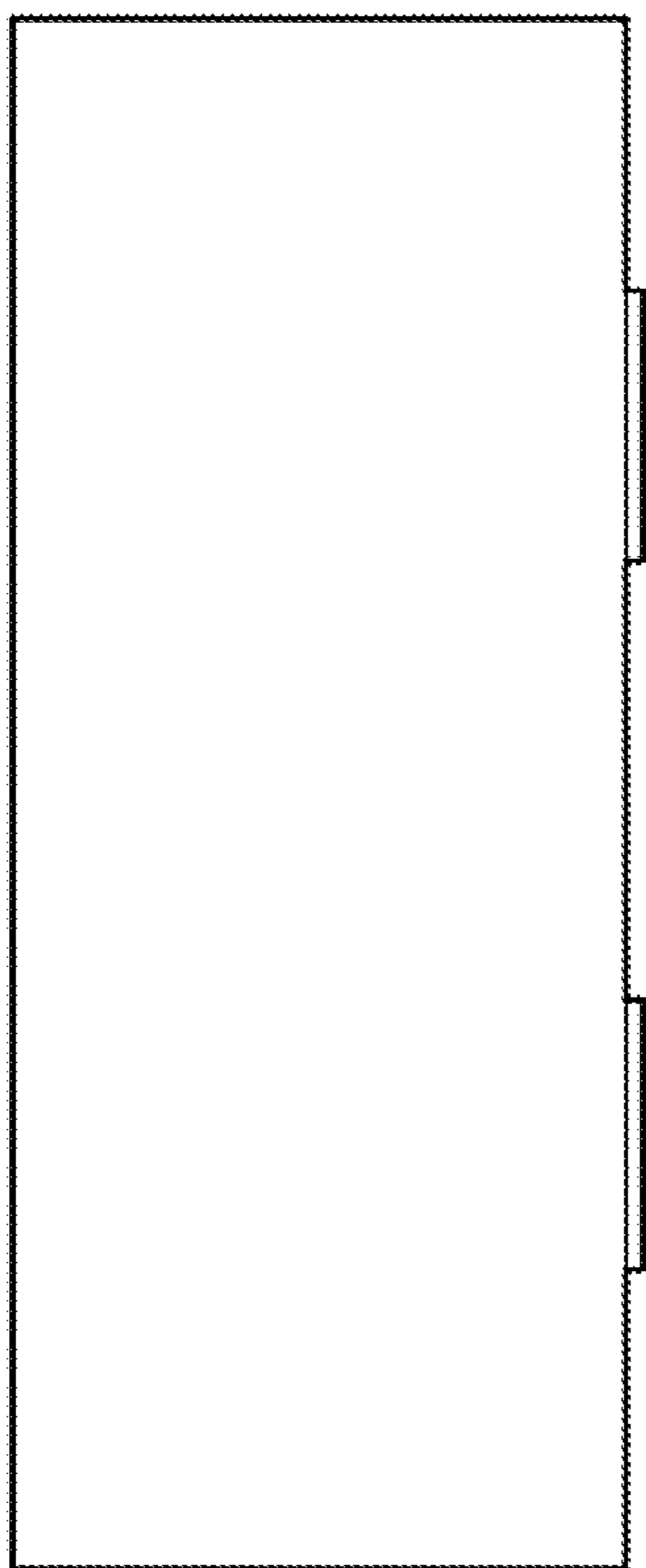


Fig. 4

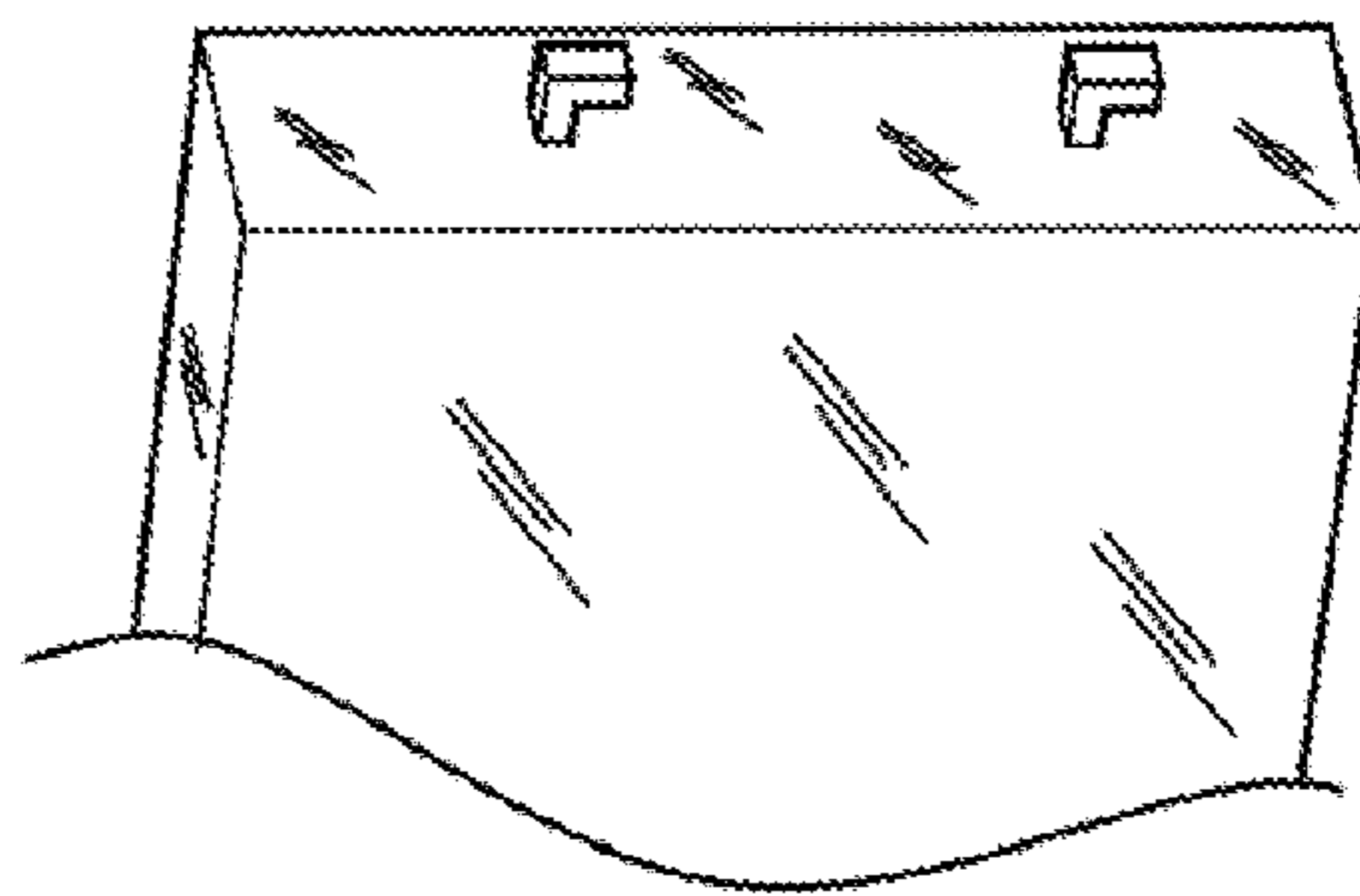


Fig. 10

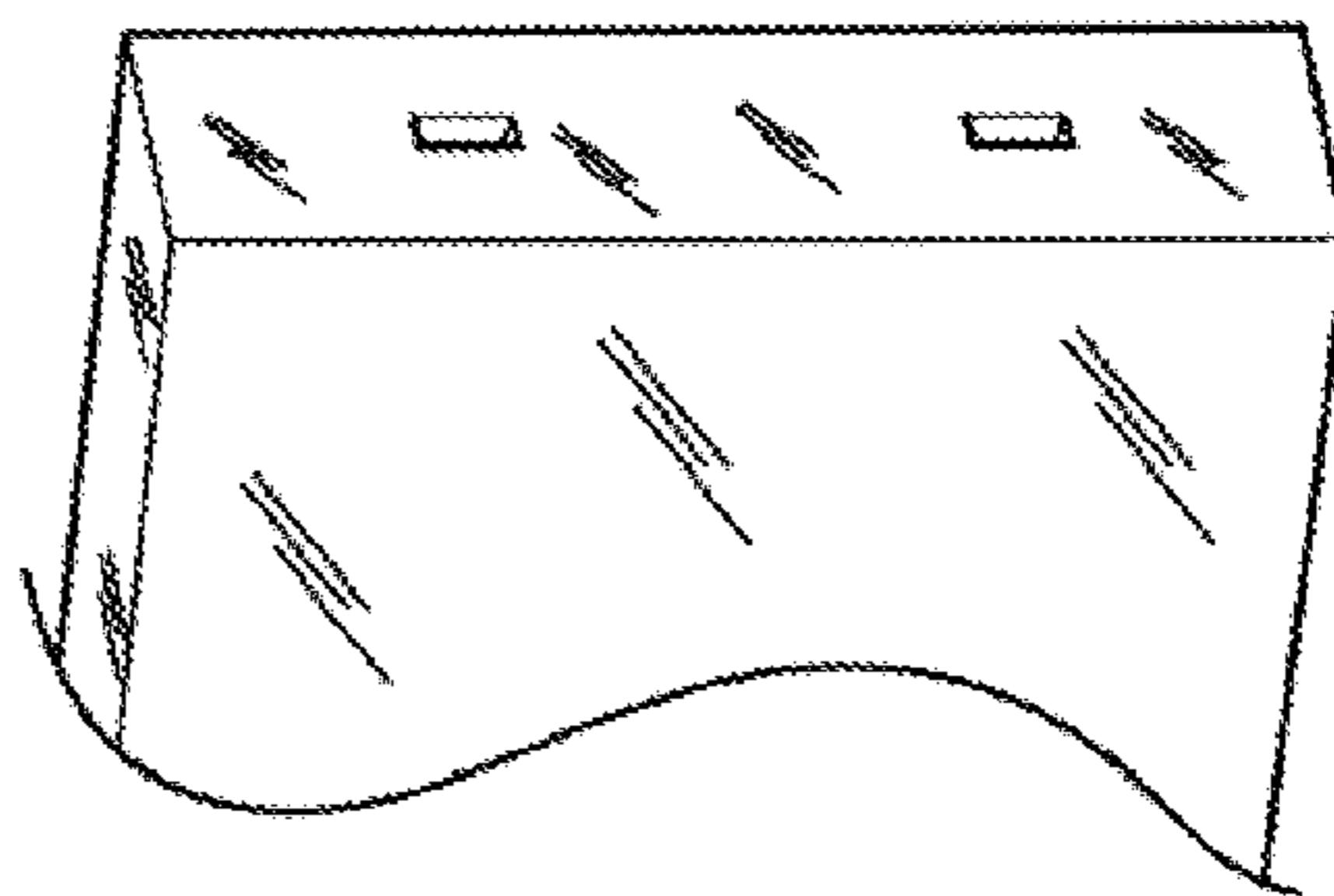


Fig. 11

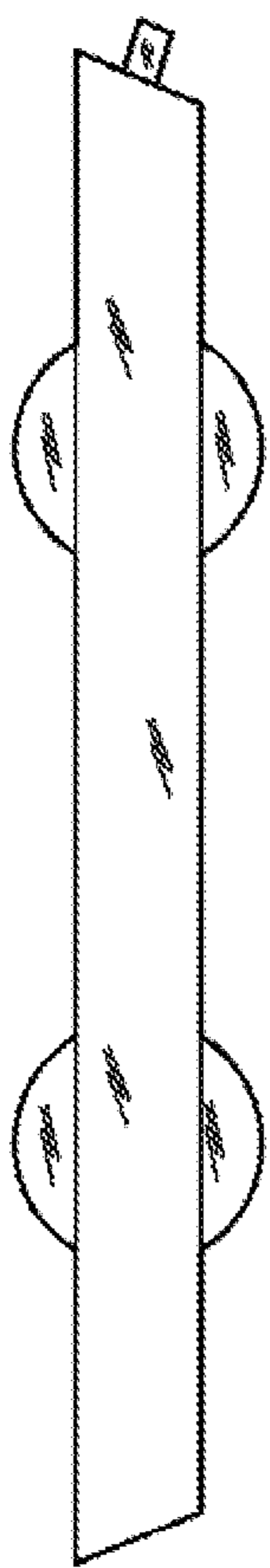


Fig. 7



Fig. 8

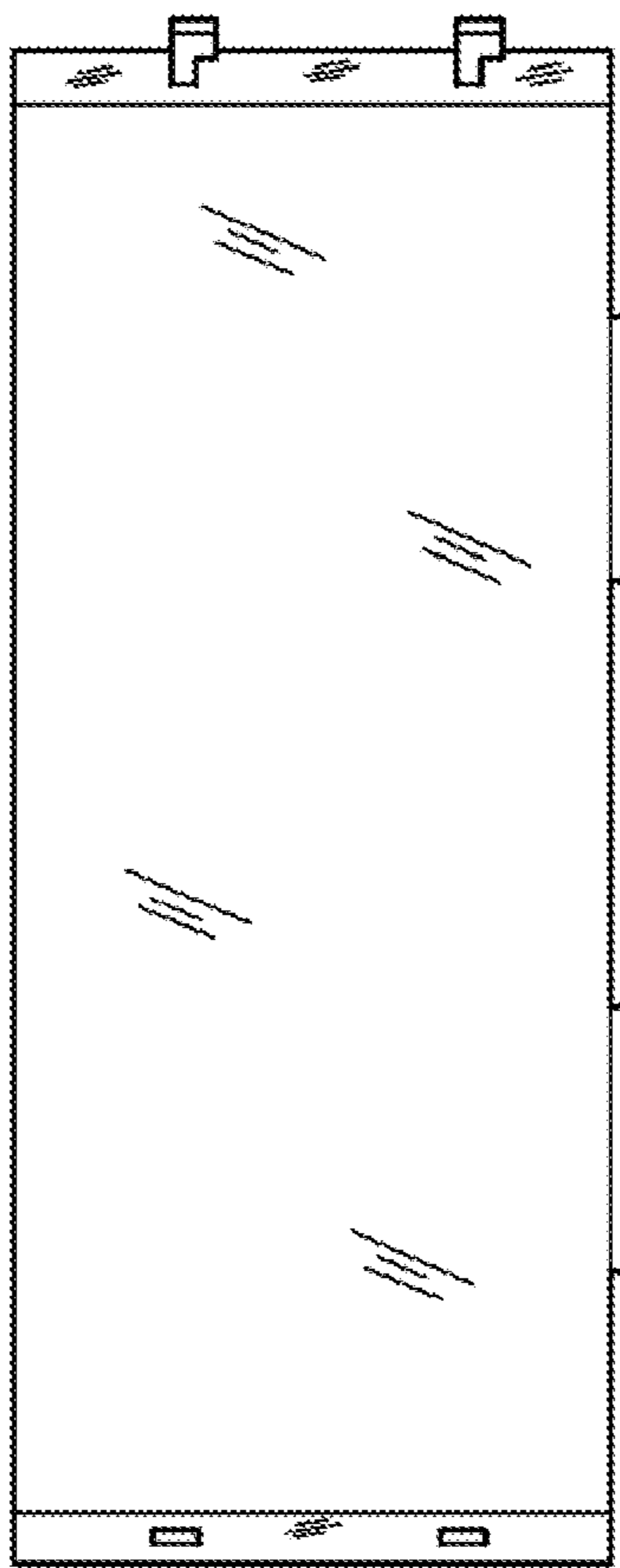


Fig. 9

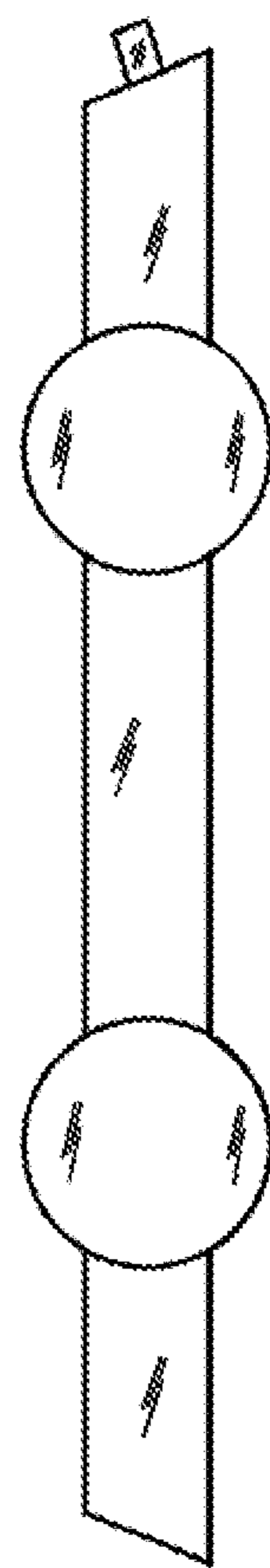


Fig. 6