



US00D652461S

(12) **United States Design Patent**
Brodess et al.

(10) **Patent No.:** **US D652,461 S**
(45) **Date of Patent:** **** Jan. 17, 2012**

(54) **MODIFIED ABDOMINAL EXERCISE DEVICE**

(76) Inventors: **David Brodess**, Austin, TX (US);
Michael Casey, Austin, TX (US)

(**) Term: **14 Years**

(21) Appl. No.: **29/380,225**

(22) Filed: **Dec. 1, 2010**

Related U.S. Application Data

(62) Division of application No. 29/357,821, filed on Mar. 17, 2010, now Pat. No. Des. 631,108.

(51) **LOC (9) Cl.** **21-02**

(52) **U.S. Cl.** **D21/689**

(58) **Field of Classification Search** D21/662,
D21/686, 688, 689, 694; 482/51, 71, 96,
482/131-132, 140, 142, 146-147; 601/23,
601/33, 40, 127, 131

See application file for complete search history.

(56) **References Cited**

U.S. PATENT DOCUMENTS

4,313,603	A *	2/1982	Simjian	482/147
4,391,441	A *	7/1983	Simjian	482/131
4,846,465	A *	7/1989	Iams et al.	482/132
4,858,918	A *	8/1989	Iams et al.	482/132
4,989,860	A *	2/1991	Iams et al.	482/132

5,306,223	A *	4/1994	Martinez	482/142
6,440,045	B1 *	8/2002	Gaston	482/140
D567,312	S *	4/2008	Tsai	D21/688
7,666,121	B2 *	2/2010	Zhou	482/51
D613,351	S *	4/2010	Splane	D21/689
D622,334	S *	8/2010	Splane	D21/689
D626,608	S *	11/2010	Tsai	D21/689
D631,108	S *	1/2011	Brodess et al.	D21/689
D643,482	S *	8/2011	Ho et al.	D21/689

* cited by examiner

Primary Examiner — Susan E Krakower

(74) *Attorney, Agent, or Firm* — TechLaw LLP

(57) **CLAIM**

The ornamental design for a modified abdominal exercise device, as shown and described.

DESCRIPTION

FIG. 1 is a perspective view of a modified abdominal exercise device;

FIG. 2 is a top plan view thereof;

FIG. 3 is a bottom plan view thereof, but with portions of the environmental structures shown in broken lines;

FIG. 4 is a left side elevation view thereof;

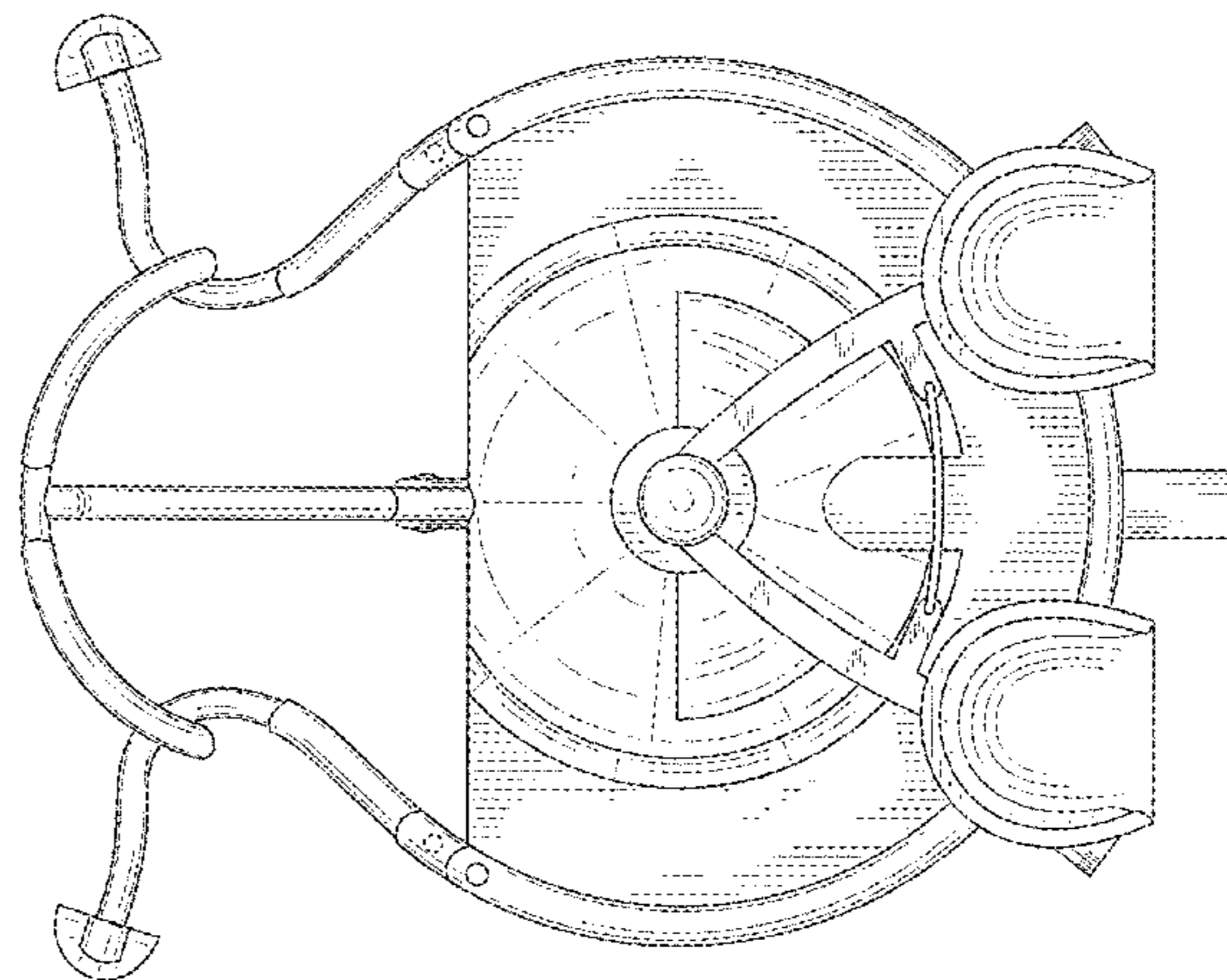
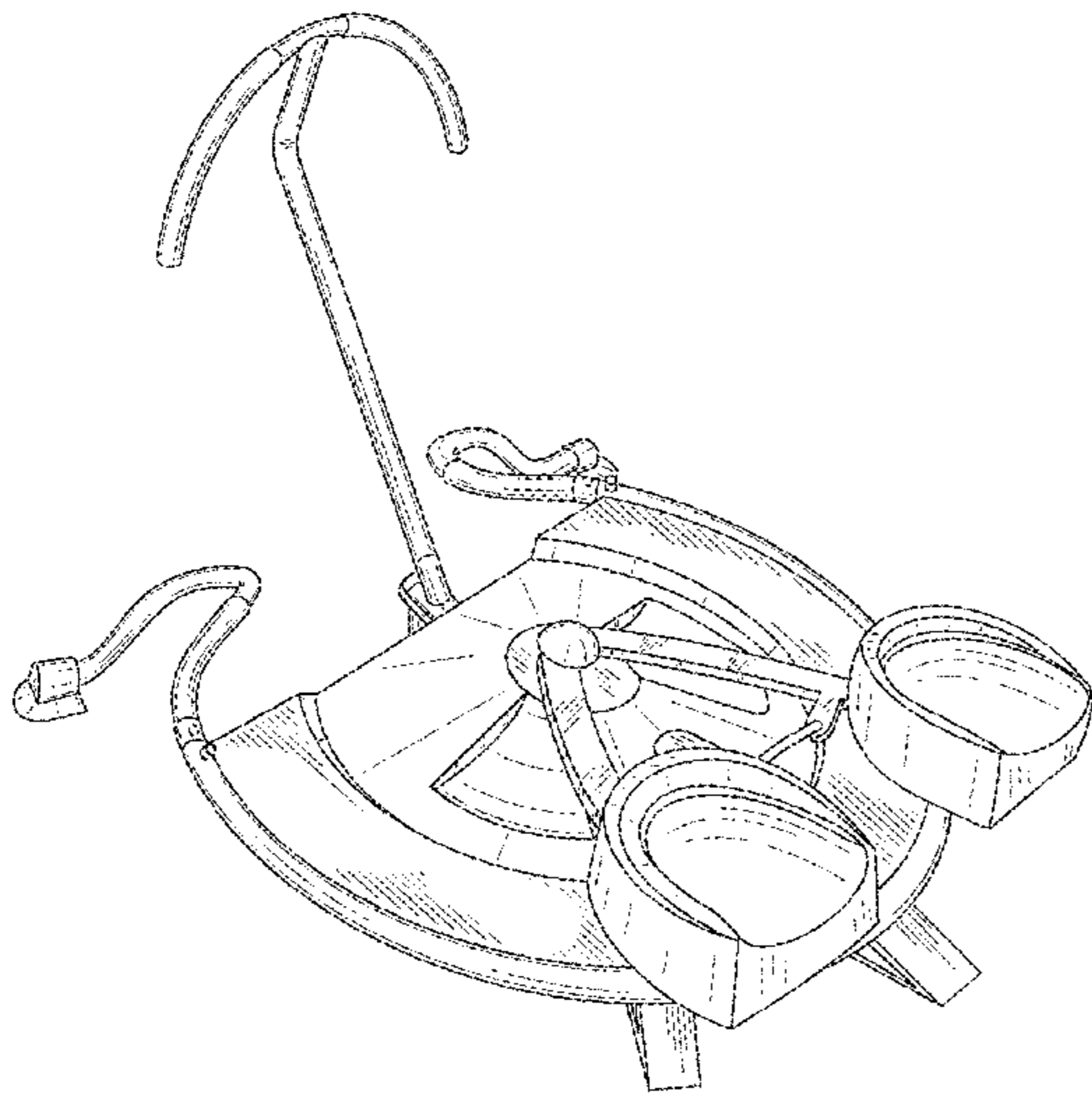
FIG. 5 is a right side elevation view thereof;

FIG. 6 is a front elevation view thereof; and,

FIG. 7 is a rear elevation view thereof.

The broken line portions of the disclosure are for environmental purposes only and form no part of the claimed design.

1 Claim, 7 Drawing Sheets



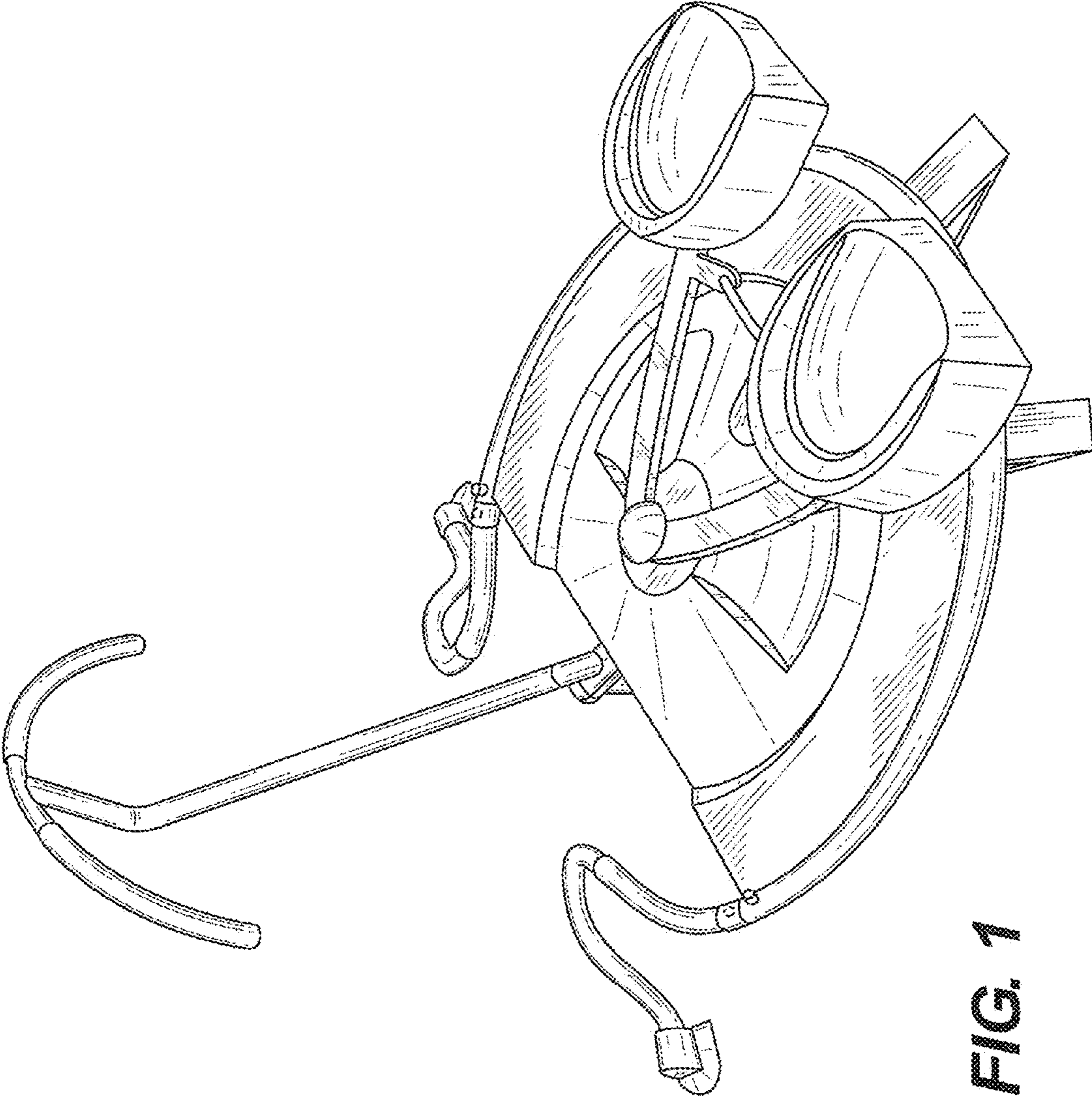


FIG. 1

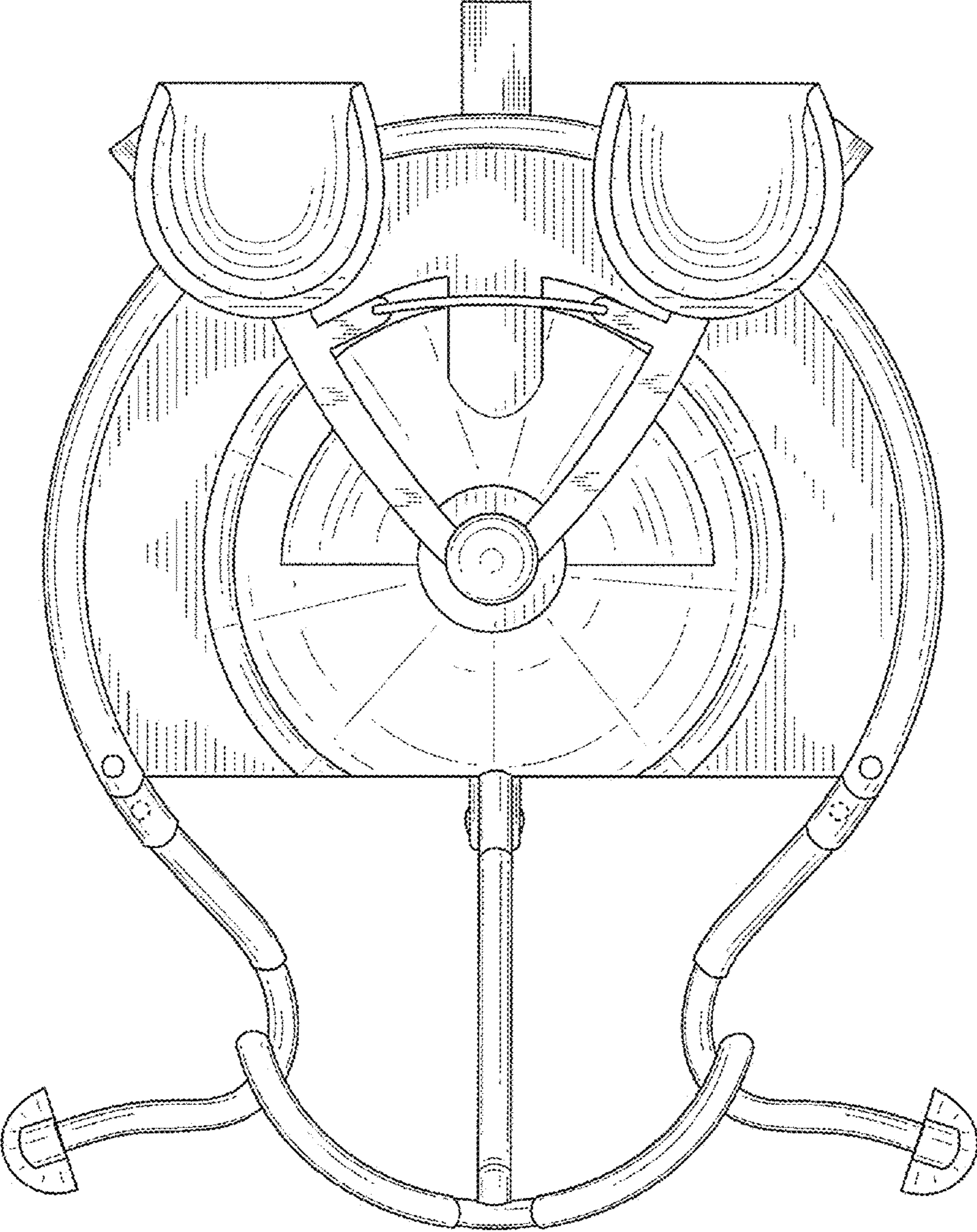


FIG. 2

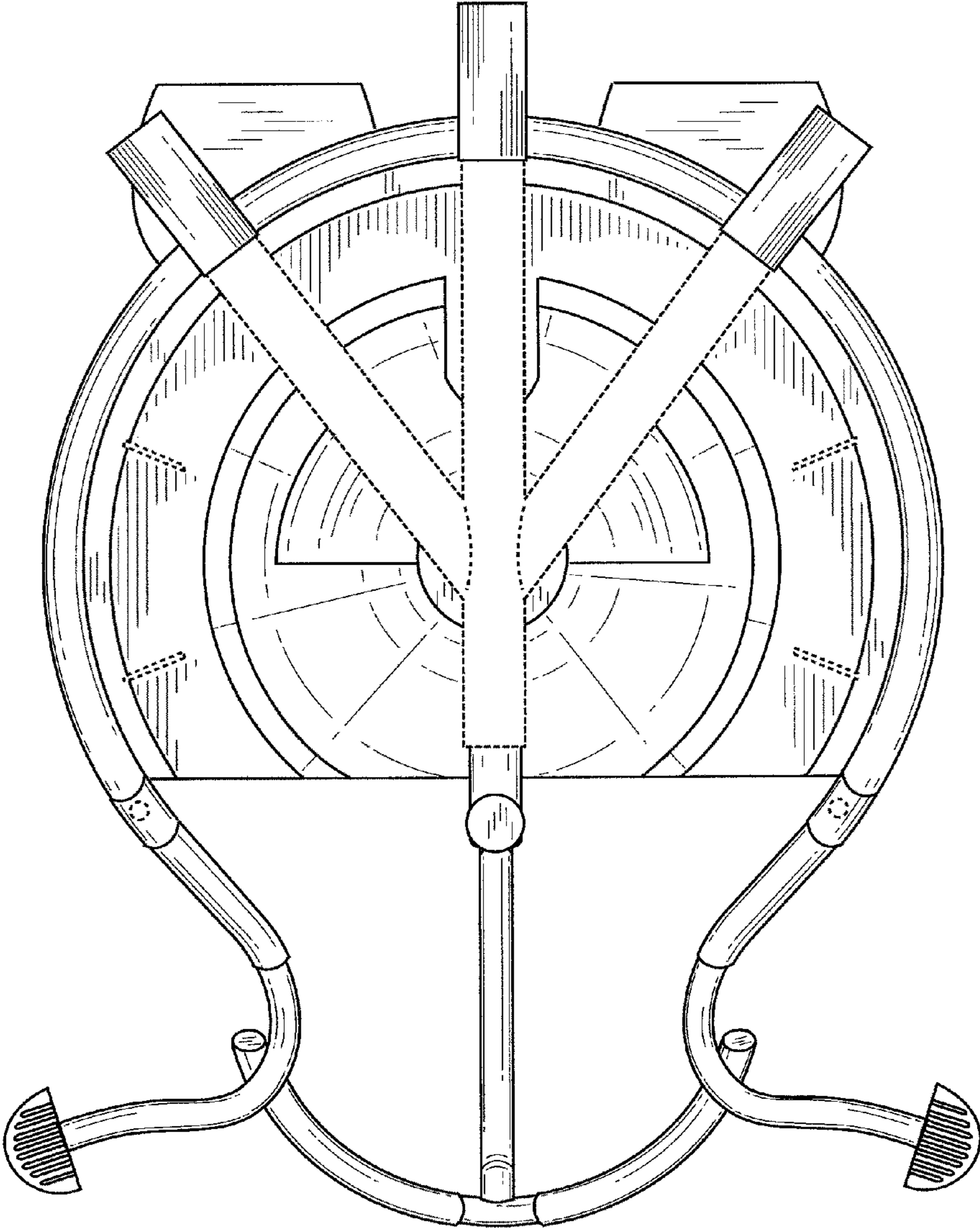


FIG. 3

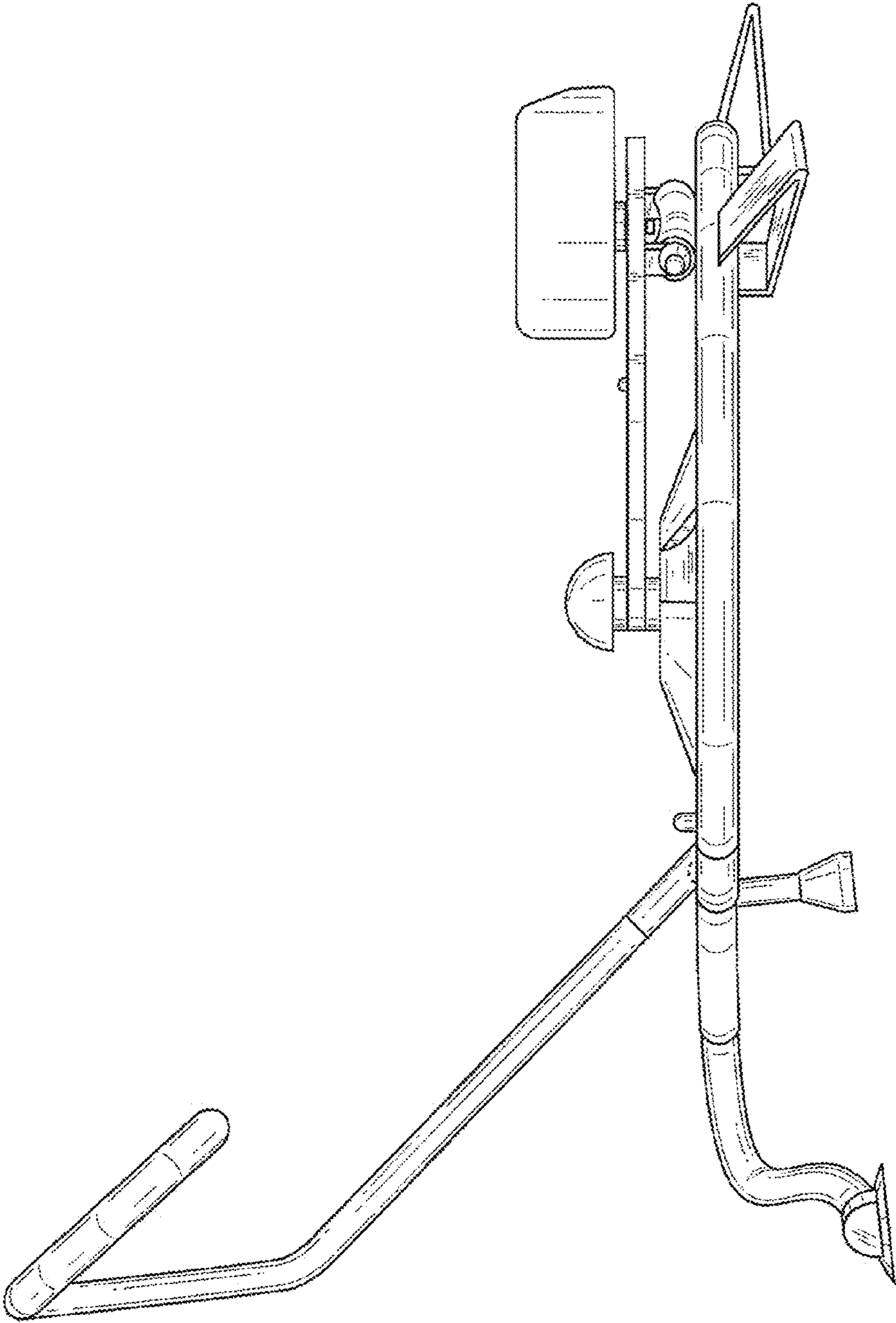


FIG. 4

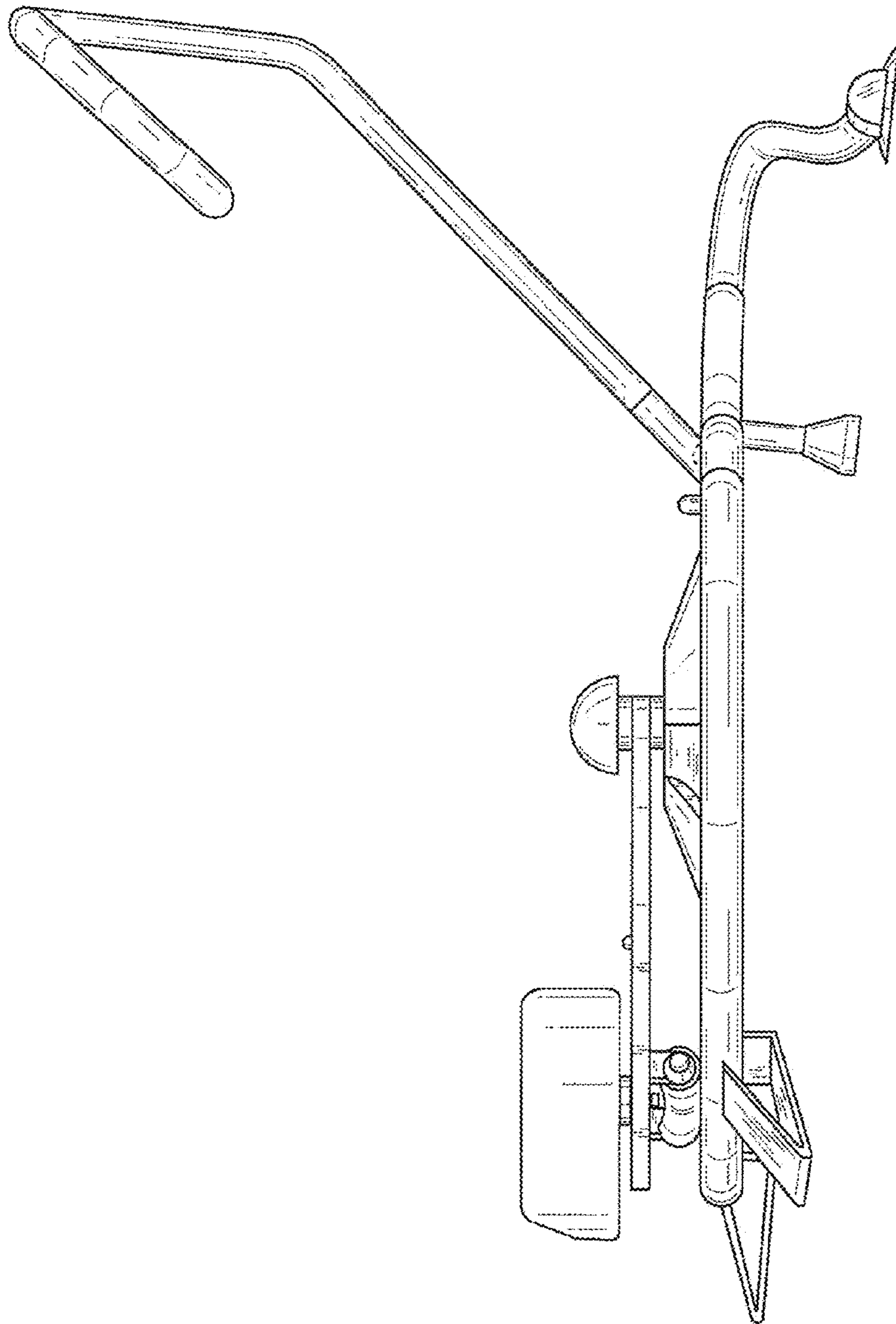


FIG. 5

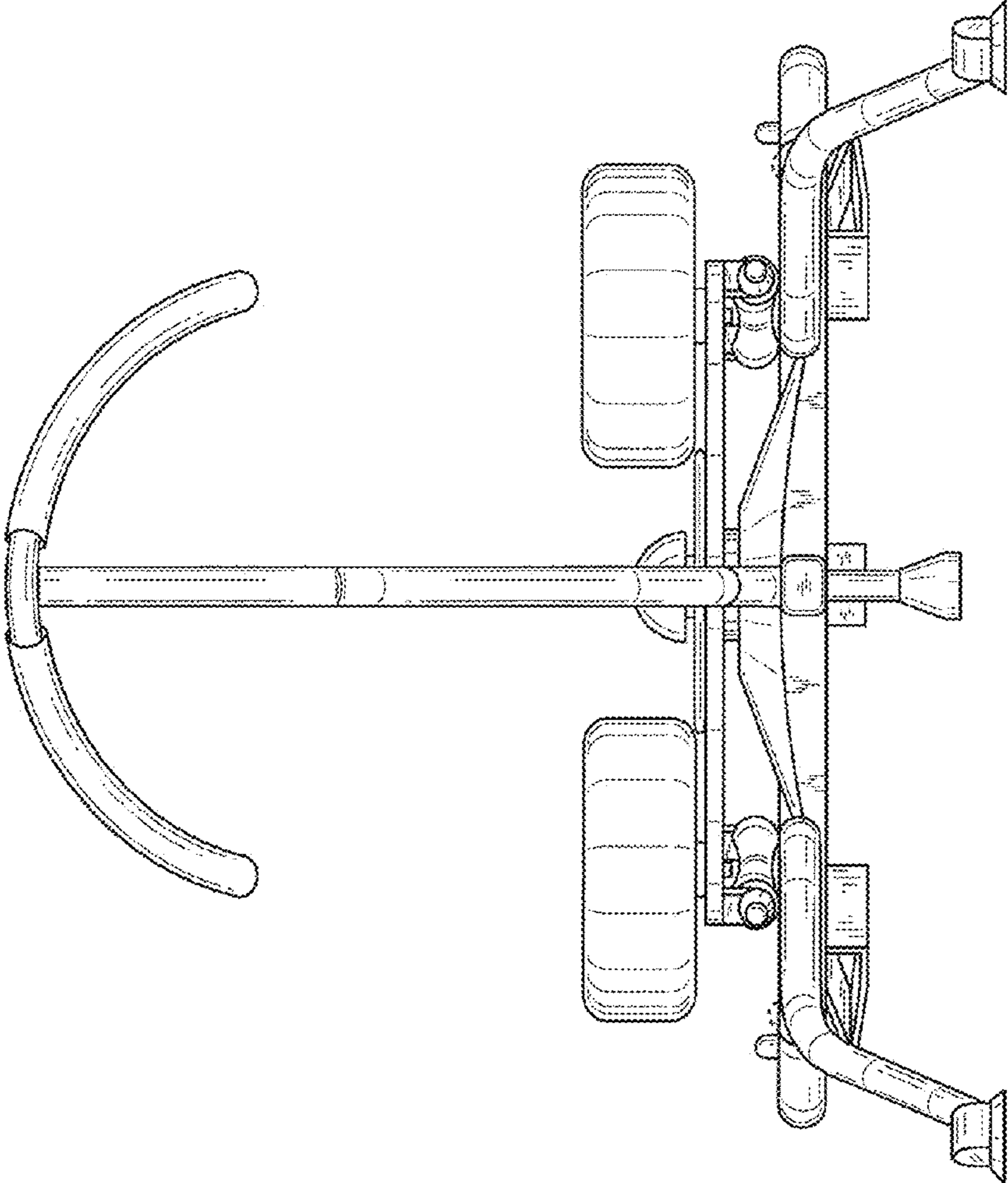


FIG. 6

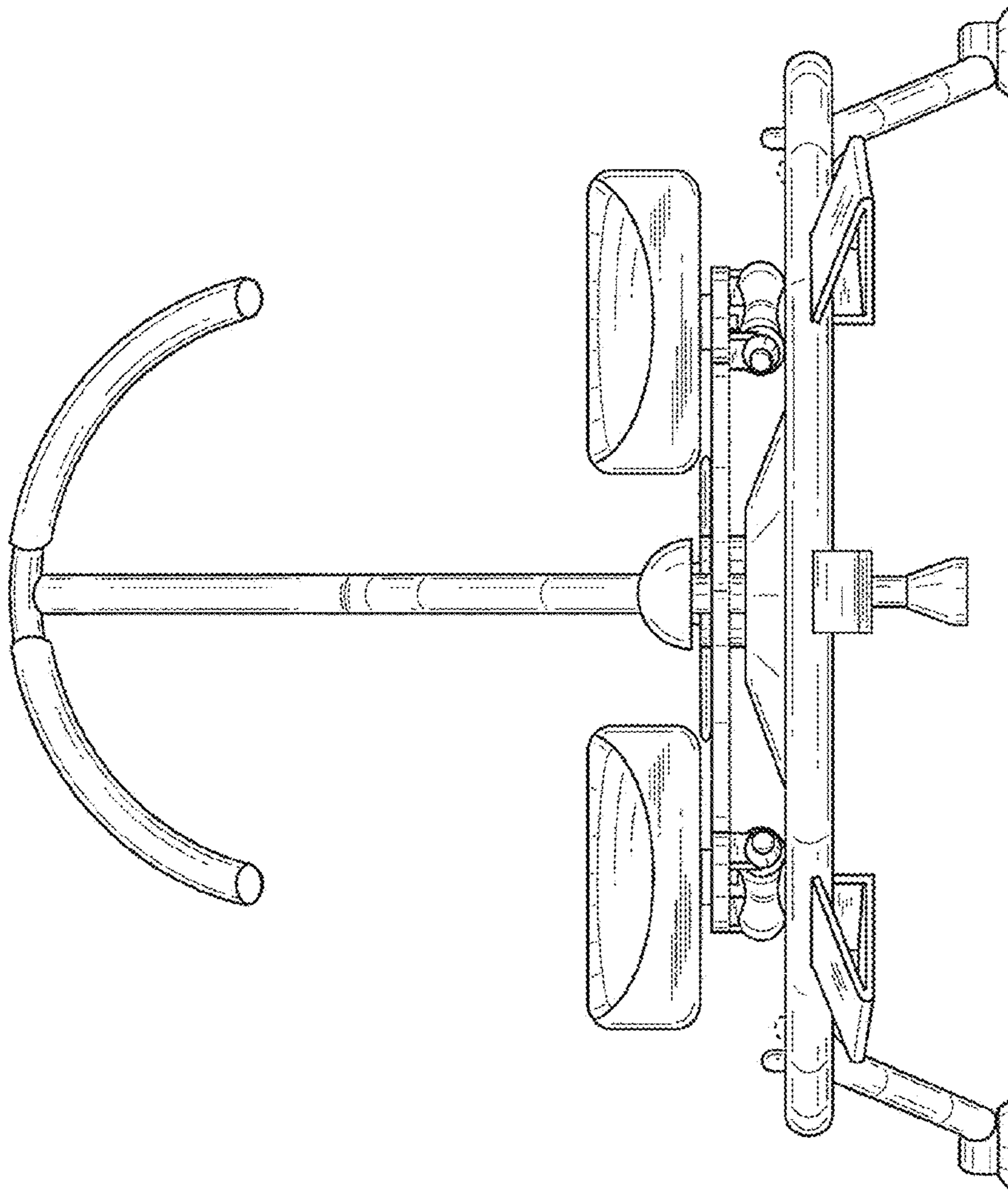


FIG. 7