

US00D652460S

(12) **United States Design Patent**
Kulzer

(10) **Patent No.:** **US D652,460 S**
(45) **Date of Patent:** **** Jan. 17, 2012**

- (54) **OVAL EXERCISE STEP**
- (75) Inventor: **Darrell A. Kulzer**, Denver, CO (US)
- (73) Assignee: **B&R Plastics, Inc.**, Denver, CO (US)
- (**) Term: **14 Years**
- (21) Appl. No.: **29/387,512**
- (22) Filed: **Mar. 14, 2011**
- (51) **LOC (9) Cl.** **21-02**
- (52) **U.S. Cl.** **D21/686**
- (58) **Field of Classification Search** D21/662,
D21/671, 686, 688, 689, 694; 482/26, 51,
482/52, 70, 79, 80, 121, 142, 146, 147, 148
See application file for complete search history.

- 7,052,449 B2 * 5/2006 Chen 482/146
- D562,918 S * 2/2008 Tuller D21/662
- 7,357,767 B2 * 4/2008 Tsai 482/146
- D568,423 S * 5/2008 Y'shua et al. D21/662
- 7,601,107 B2 * 10/2009 Maloy et al. 482/123
- D612,896 S * 3/2010 Talley D21/686
- D634,377 S * 3/2011 Byle D21/686
- 2010/0267535 A1 * 10/2010 Kieffer 482/142

* cited by examiner

Primary Examiner — Susan E Krakower
(74) *Attorney, Agent, or Firm* — William W. Cochran;
Cochran Freund & Young LLC

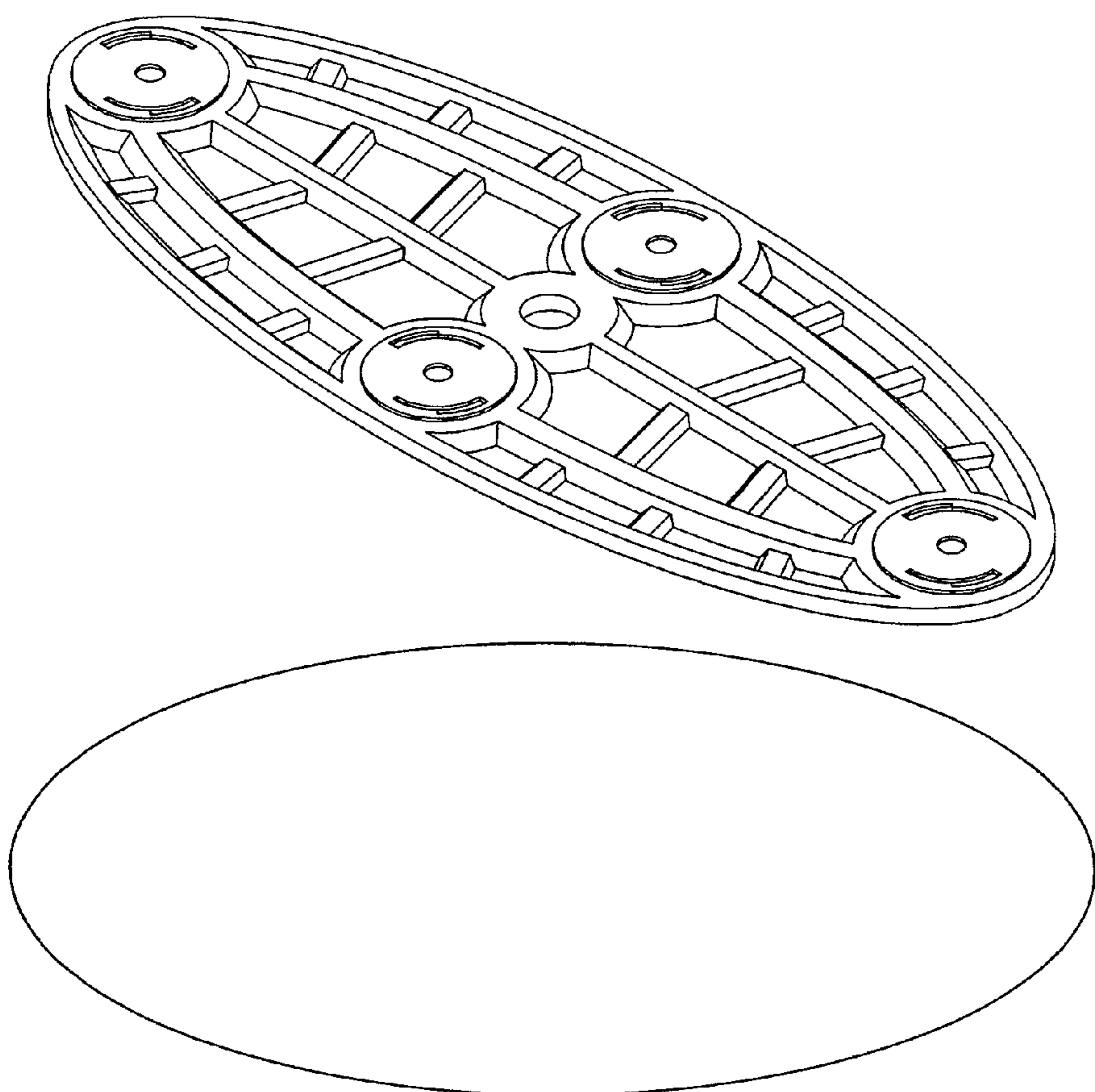
(57) **CLAIM**
The ornamental design for an oval exercise step, as shown and described.

DESCRIPTION

FIG. 1 is a bottom isometric view of an oval exercise step showing my new design.
FIG. 2 is a top view thereof.
FIG. 3 is a bottom view thereof.
FIG. 4 is a front view thereof.
FIG. 5 is a back view thereof.
FIG. 6 is a left side view thereof; and,
FIG. 7 is a right side view thereof.

1 Claim, 5 Drawing Sheets

- (56) **References Cited**
- U.S. PATENT DOCUMENTS
- 5,656,000 A * 8/1997 Russell 482/52
- 6,315,695 B1 * 11/2001 Follett et al. 482/34
- D469,831 S * 2/2003 Tuccillo D21/689
- D483,084 S * 12/2003 Gvoich D21/686
- D491,239 S * 6/2004 Lamont D21/688
- D493,500 S * 7/2004 Dalebout et al. D21/694
- D507,026 S * 7/2005 Chen D21/671
- 6,926,643 B1 * 8/2005 Gvoich 482/52



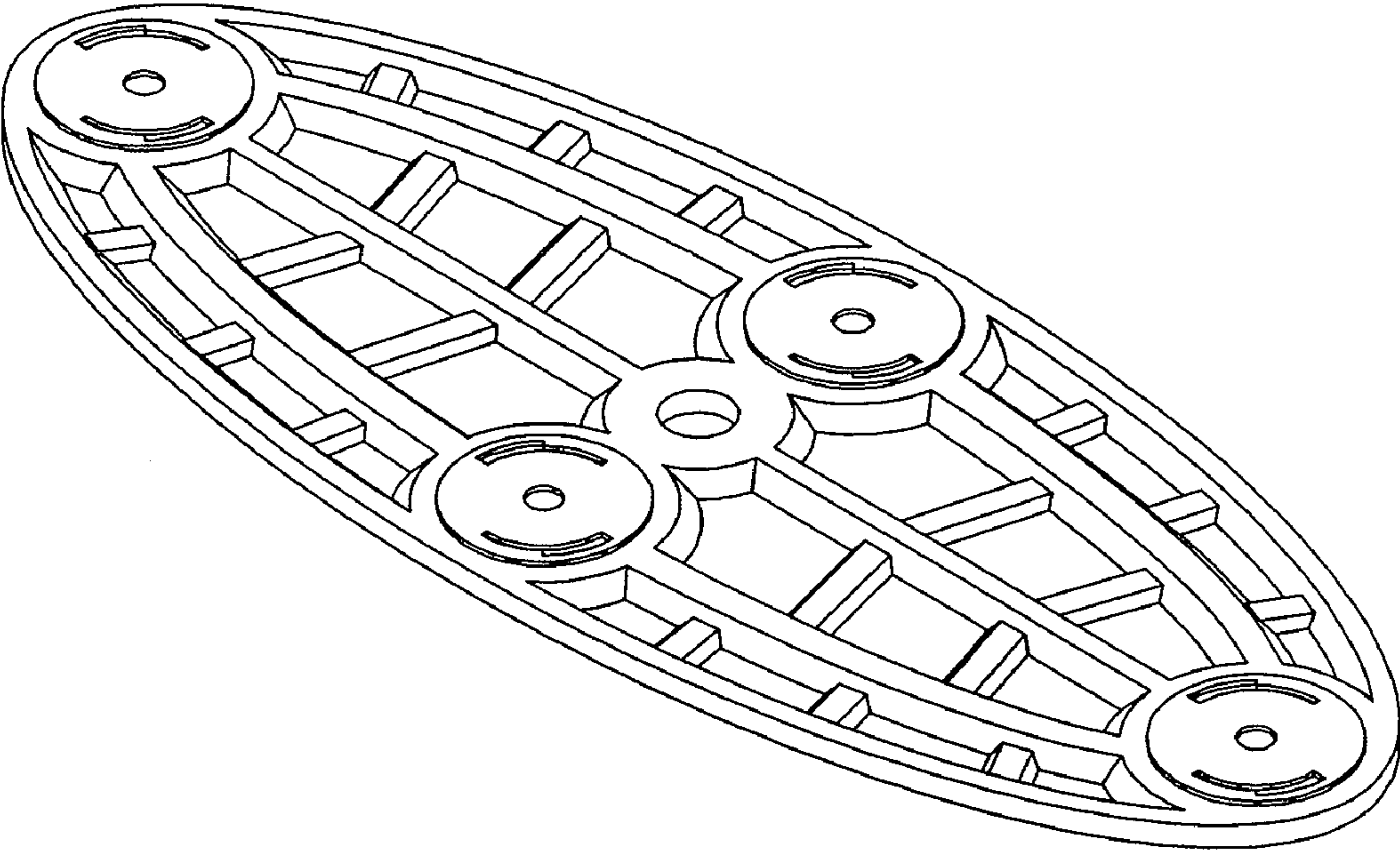


FIG. 1

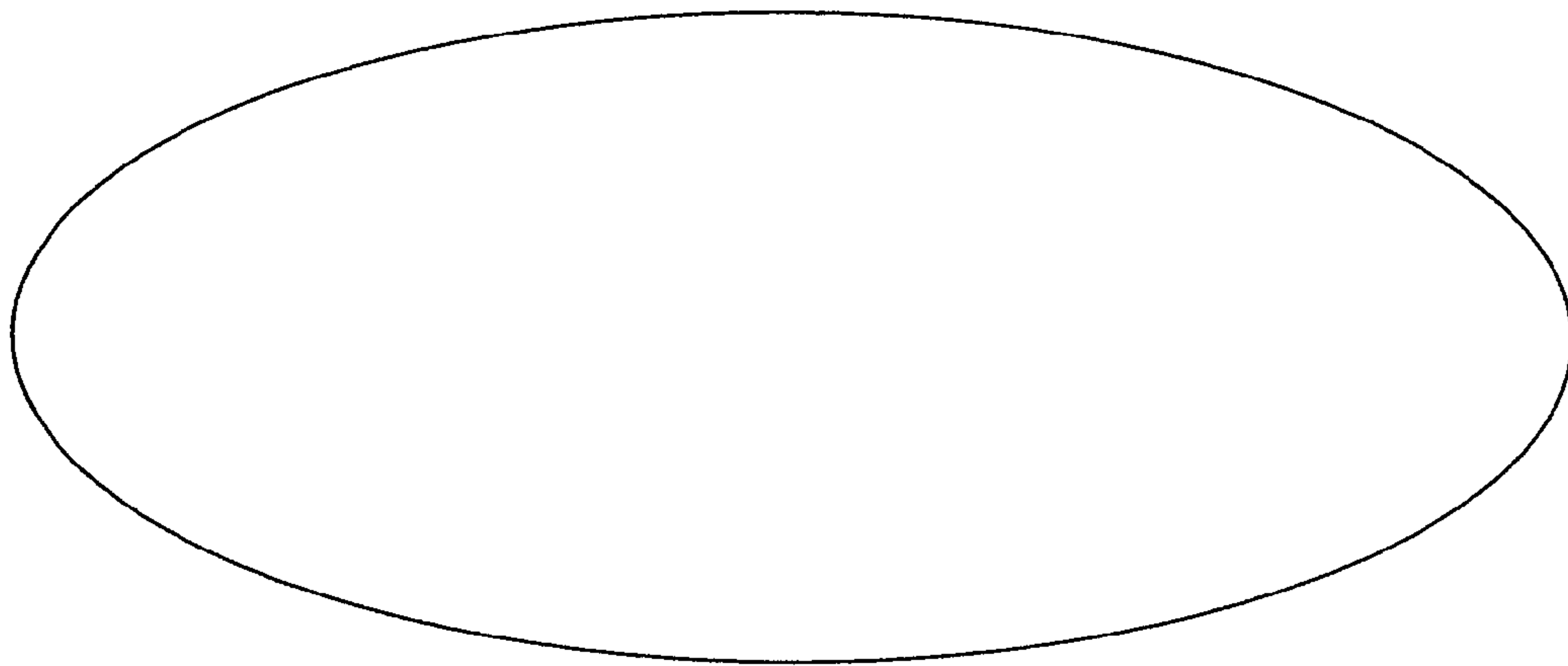


FIG. 2

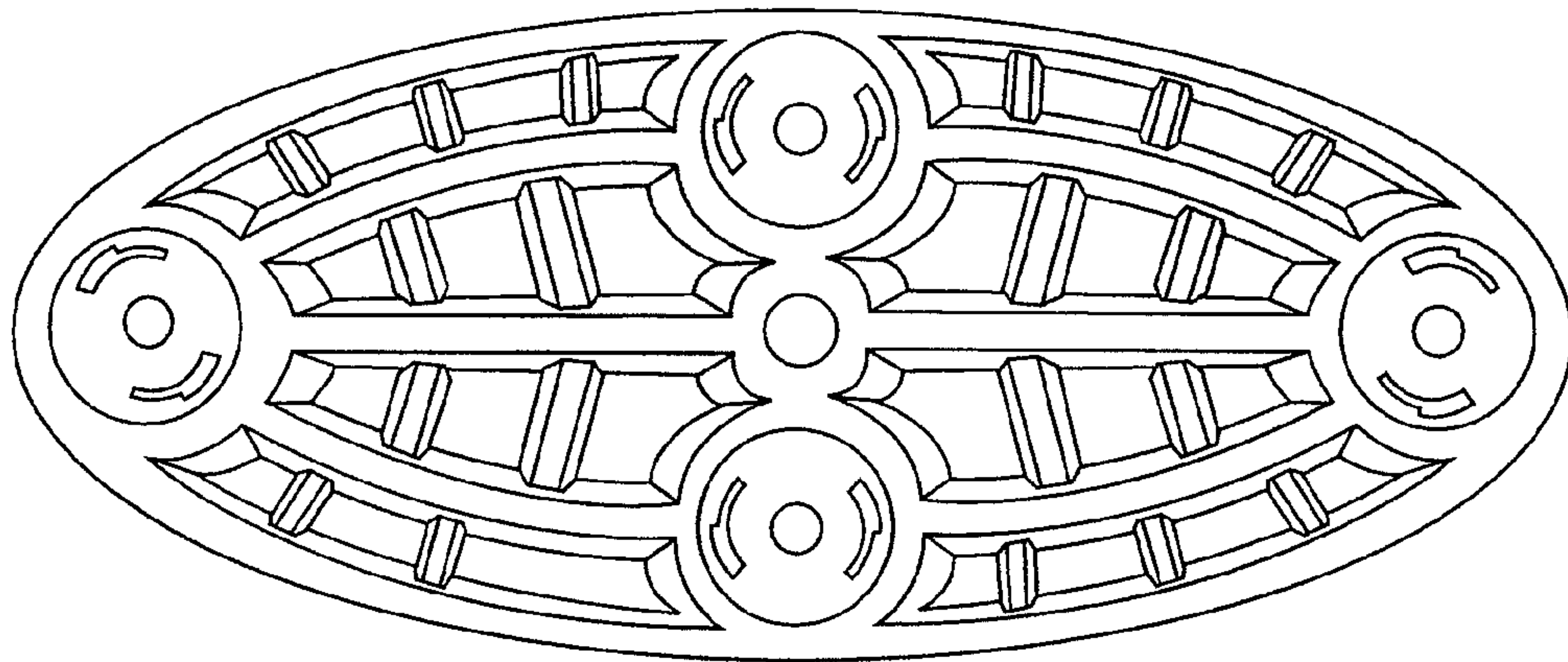


FIG. 3

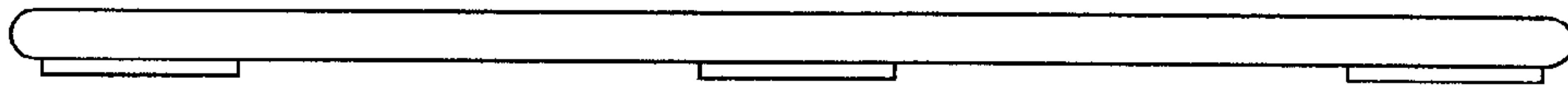


FIG. 4

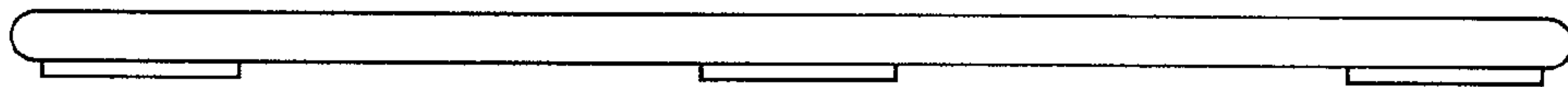


FIG. 5

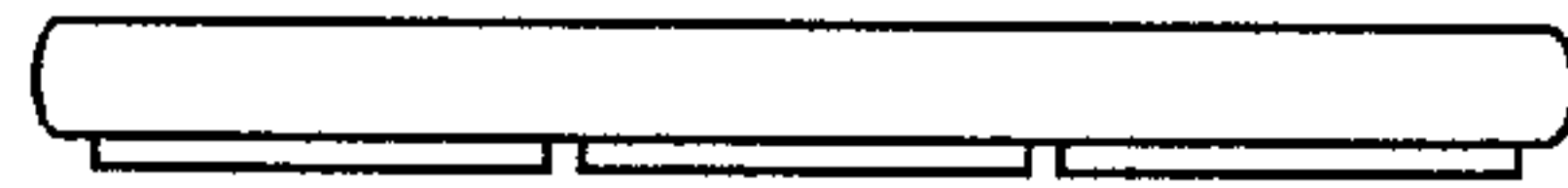


FIG. 6



FIG. 7