



US00D652457S

(12) **United States Design Patent**
Robins et al.

(10) **Patent No.:** **US D652,457 S**

(45) **Date of Patent:** **** Jan. 17, 2012**

(54) **BLOCK WITH SLOTS**

(75) Inventors: **Canyon Robins**, McKinleyville, CA (US); **Duncan G. Robins**, McKinleyville, CA (US)

(73) Assignee: **Slotter, LLC**, McKinleyville, CA (US)

(**) Term: **14 Years**

(21) Appl. No.: **29/377,497**

(22) Filed: **Oct. 21, 2010**

(51) **LOC (9) Cl.** **21-01**

(52) **U.S. Cl.** **D21/491; D21/505**

(58) **Field of Classification Search** D21/392, D21/393, 484, 485, 486, 489, 491, 492, 493, D21/494, 495, 499, 500-505; 446/69, 85, 446/102-128; 434/208, 259, 403; 273/153, 273/156, 160; 428/174; D3/247; D20/43; D6/457

See application file for complete search history.

(56) **References Cited**

U.S. PATENT DOCUMENTS

3,855,748	A *	12/1974	Thomas	446/115
3,859,769	A *	1/1975	Watkins	446/125
3,940,100	A *	2/1976	Haug	446/114
D311,578	S *	10/1990	MacIsaac	D21/392
D321,799	S *	11/1991	Marvy et al.	D6/457
5,281,185	A *	1/1994	Lee	446/488
D349,925	S *	8/1994	Charron et al.	D19/90
D353,412	S *	12/1994	Bull et al.	D21/392

D372,742	S *	8/1996	Kakudo	D21/392
D380,790	S *	7/1997	Gabriel	D21/489
D390,883	S *	2/1998	Watkins et al.	D20/43
D425,575	S *	5/2000	Cyrus	D21/505
D447,337	S *	9/2001	Sardina	D3/247
D471,354	S *	3/2003	Daniels	D3/247
D522,273	S *	6/2006	Benson	D6/470
D566,191	S *	4/2008	Boyette	D19/91
D618,736	S *	6/2010	Kossmann	D21/489
D619,662	S *	7/2010	Kossmann	D21/489

* cited by examiner

Primary Examiner — Cynthia M Chin

(74) *Attorney, Agent, or Firm* — Kolisch Hartwell, P.C.

(57) **CLAIM**

We claim the ornamental design for a block with slots, as shown and described.

DESCRIPTION

FIG. 1 is a perspective view of a block.

FIG. 2 is another perspective view of the block from the opposite perspective of the view in FIG. 1.

FIG. 3 is a top view of the block shown in FIGS. 1 and 2.

FIG. 4 is a side view of the block shown in FIGS. 1-3.

FIG. 5 is a bottom view of the block shown in FIGS. 1-4.

FIG. 6 is an end view of the block shown in FIGS. 1-5; and, FIG. 7 is an opposite end view of the block shown in FIGS. 1-6.

The stippling and shading lines shown in the drawing(s) represent the three-dimensional contour of the design, and are not intended to indicate surface decoration.

1 Claim, 2 Drawing Sheets

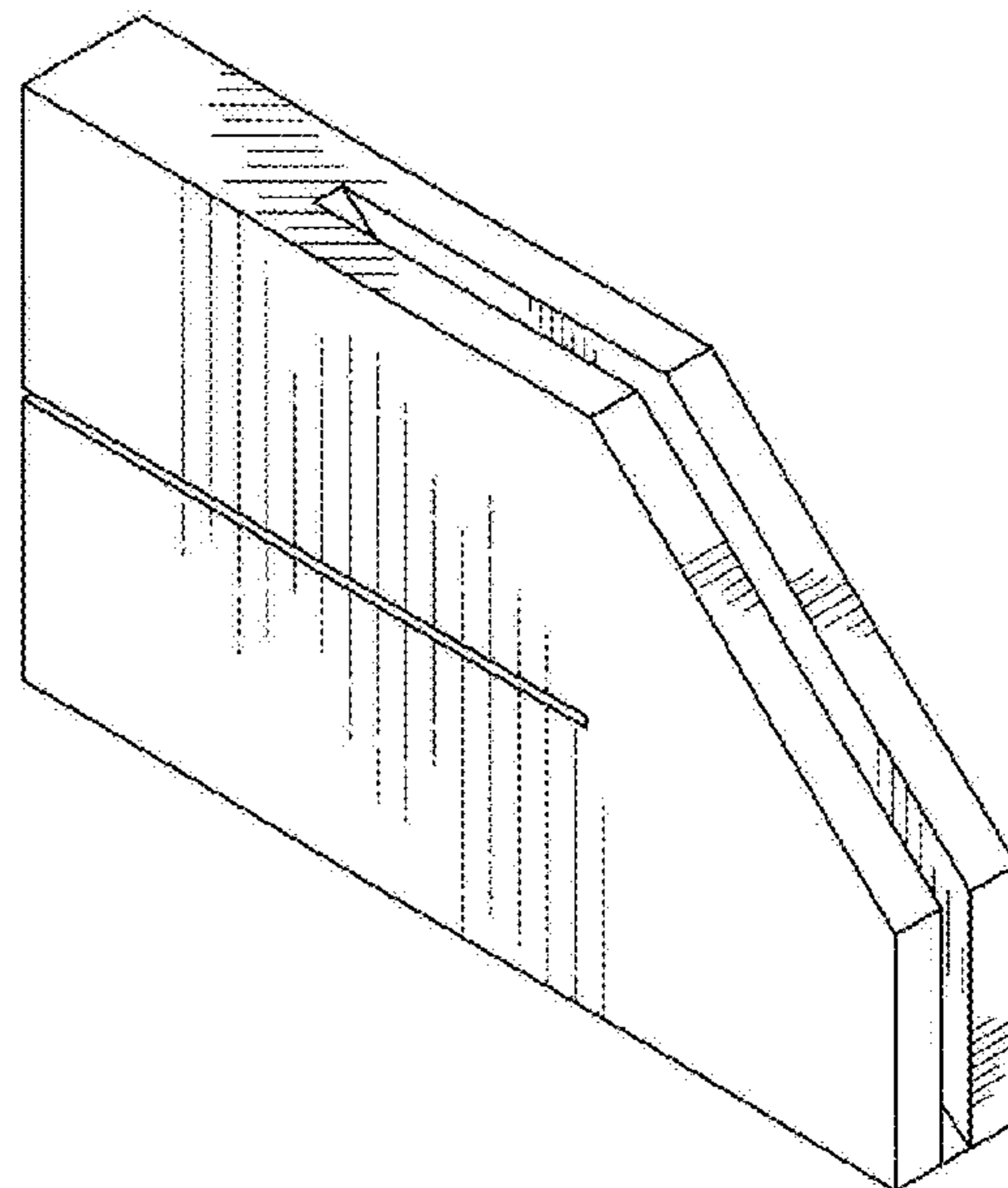
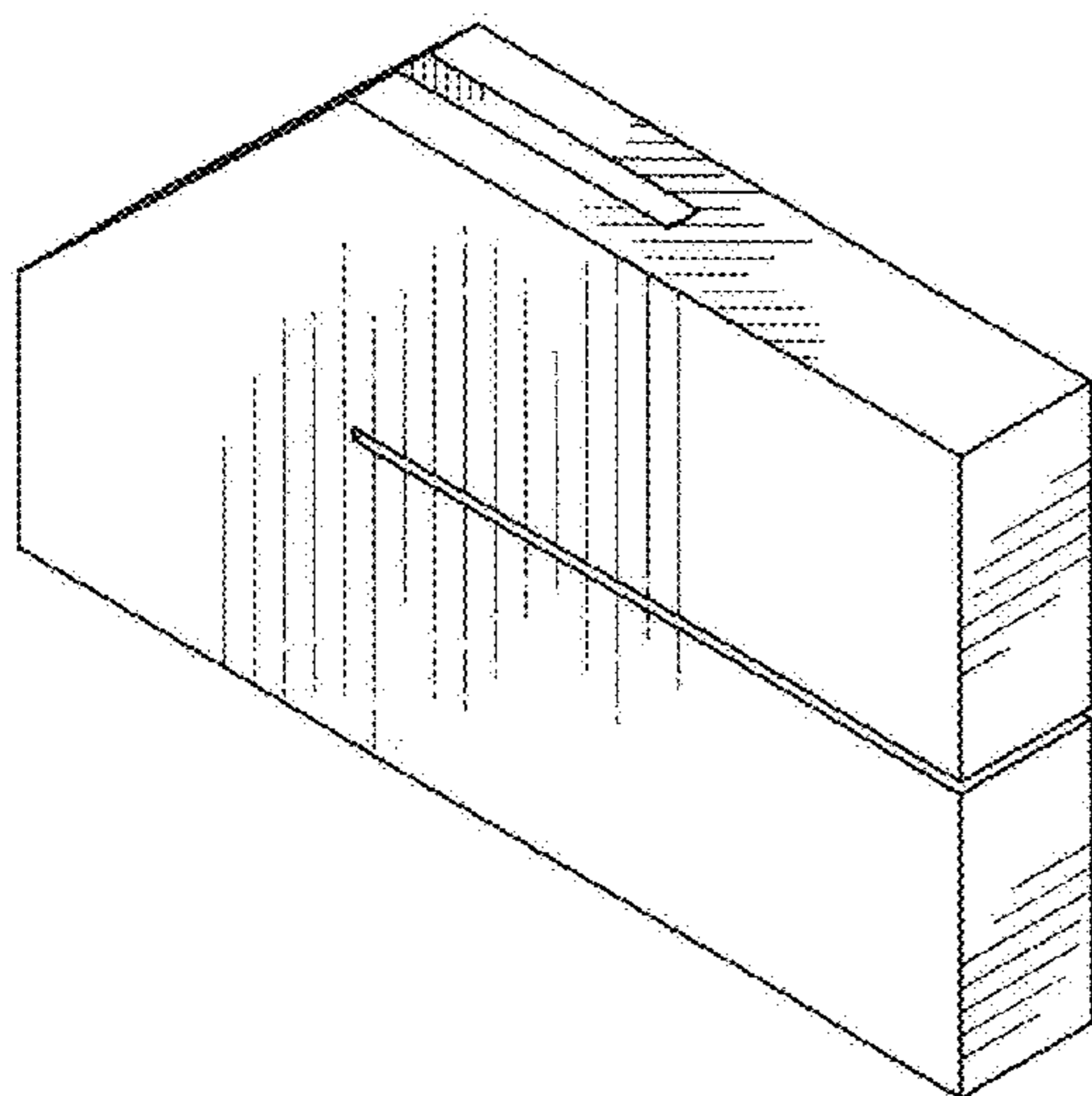


Fig. 1

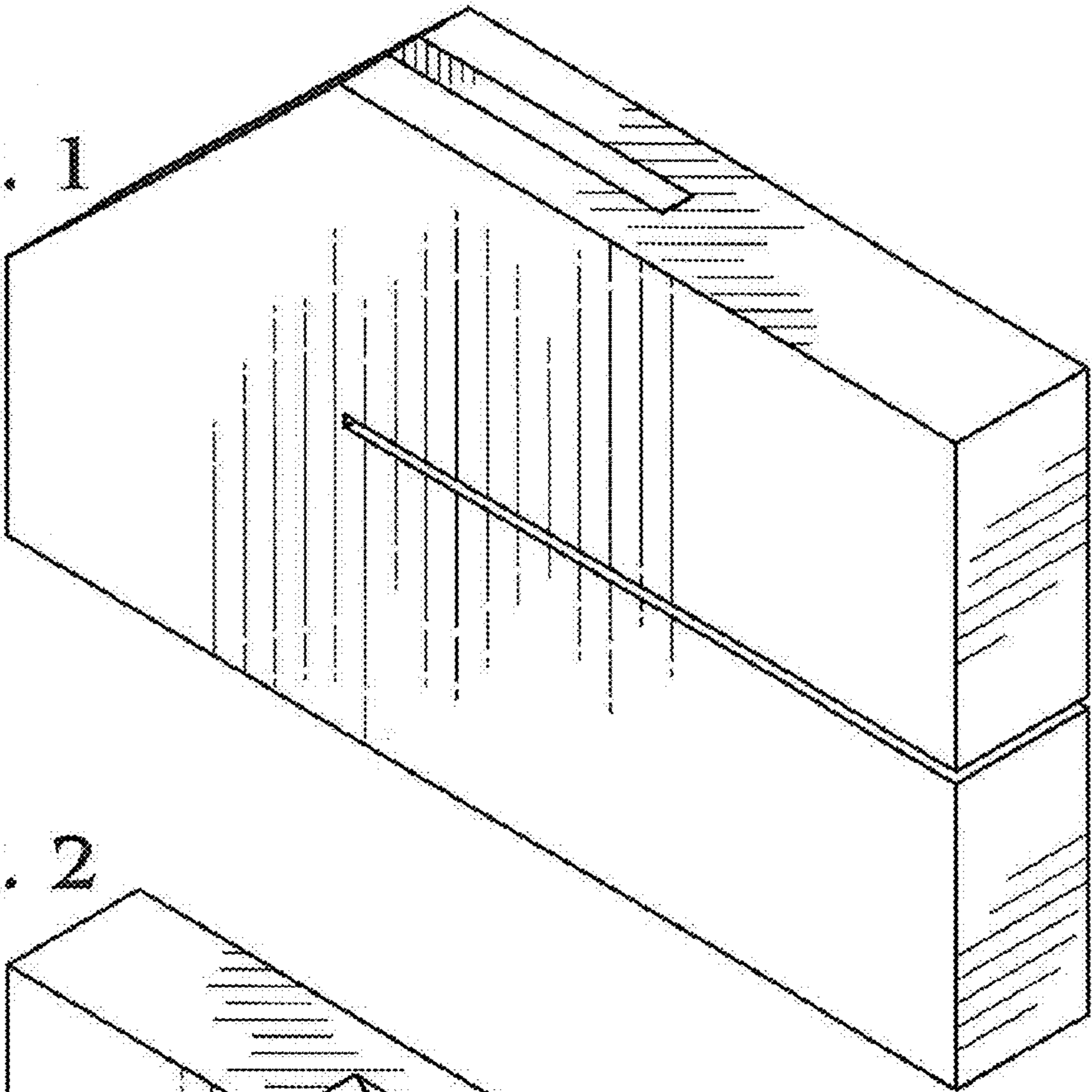


Fig. 2

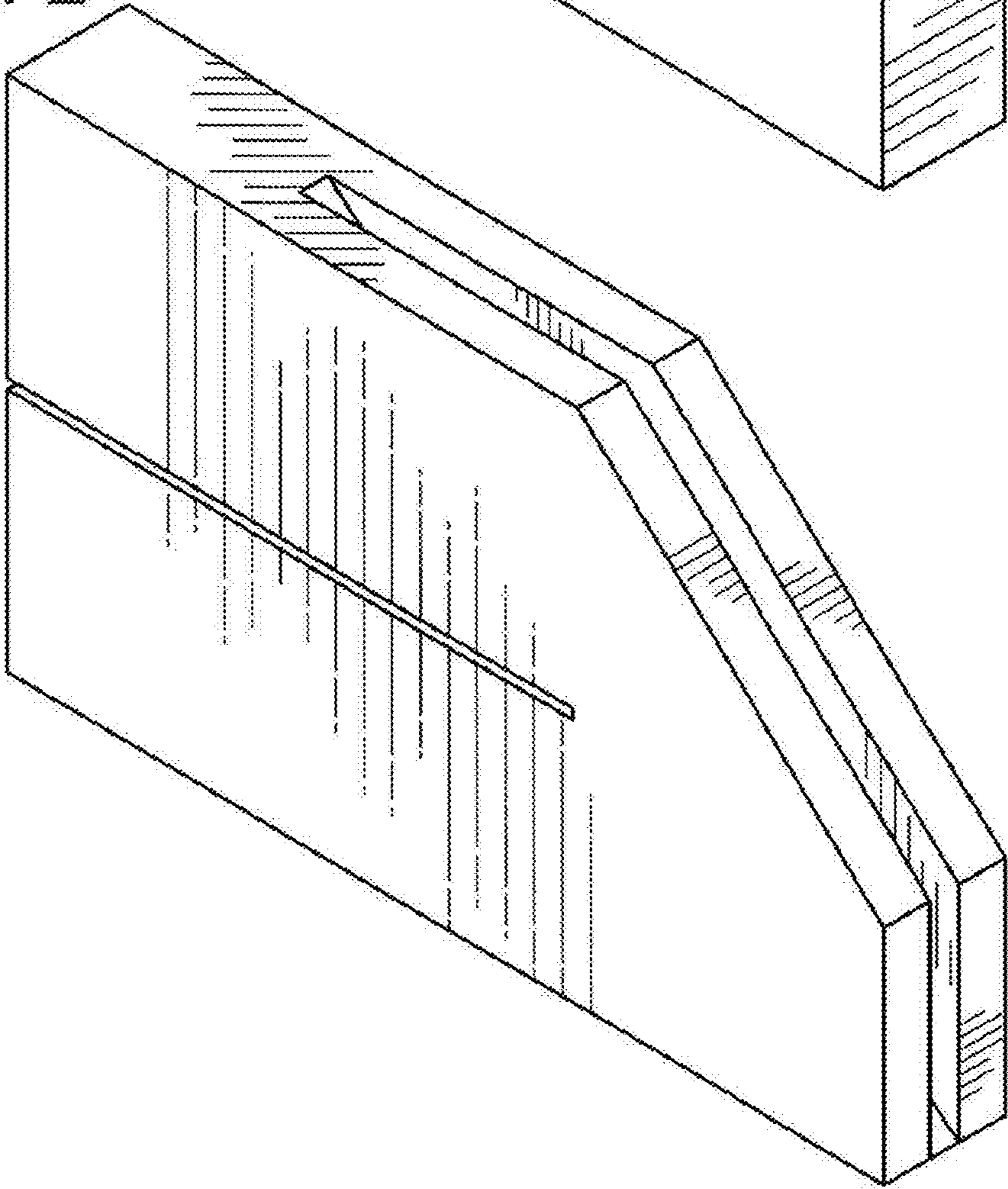


Fig. 3

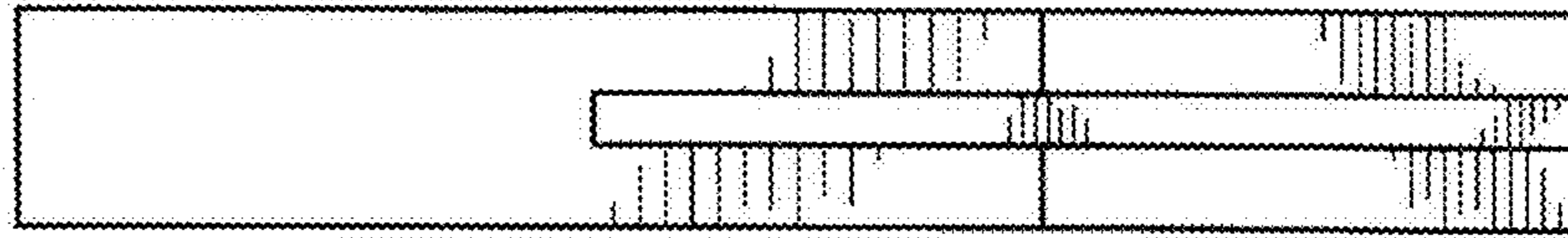


Fig. 4

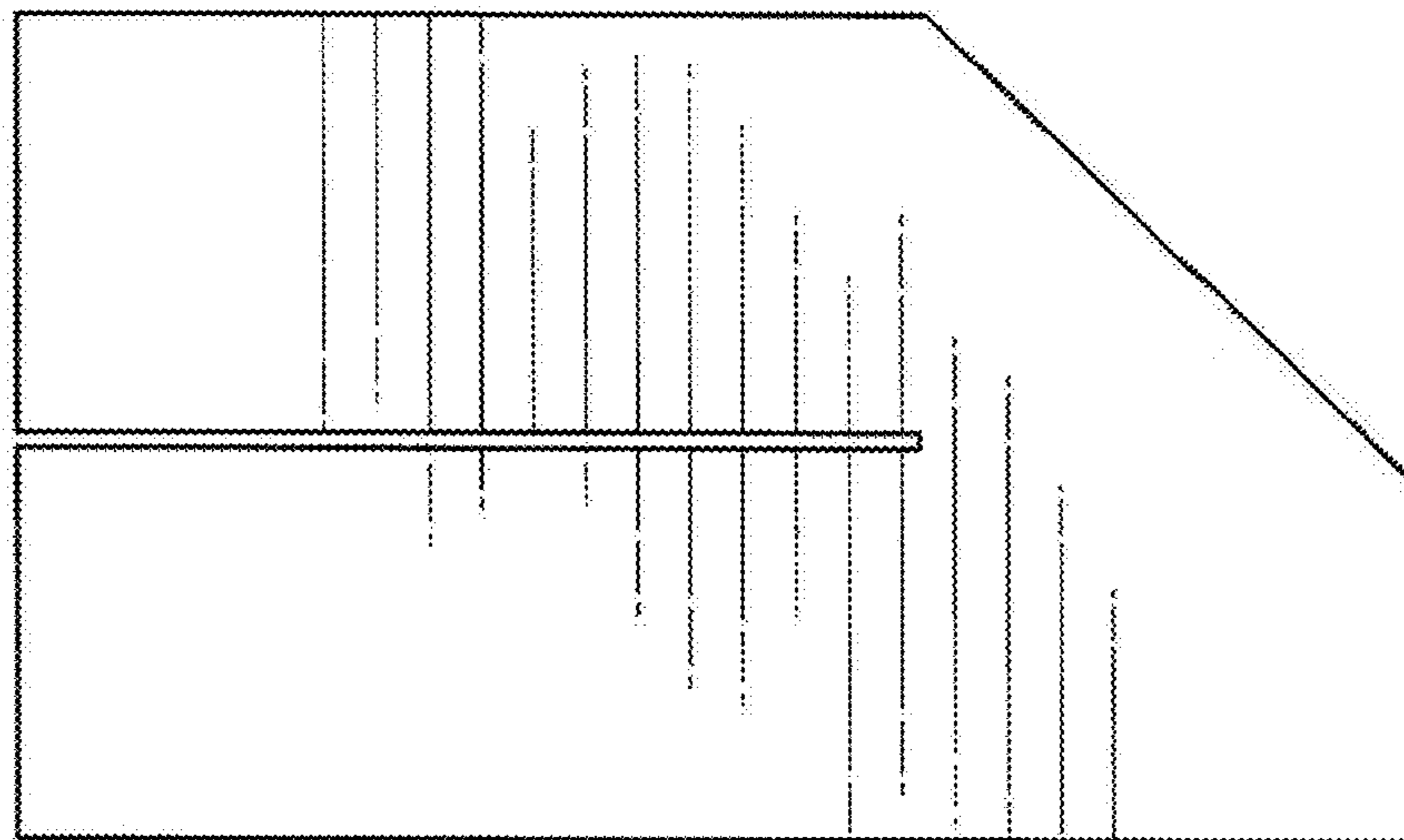


Fig. 5



Fig. 6

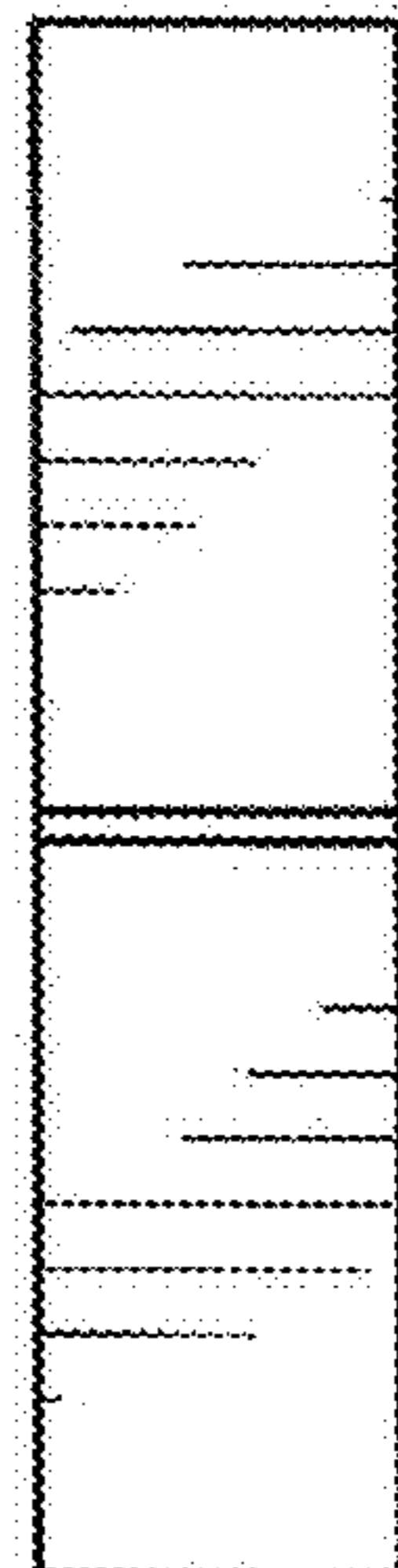


Fig. 7

