



US00D652456S

(12) **United States Design Patent**  
**Child et al.**

(10) **Patent No.:** **US D652,456 S**  
(45) **Date of Patent:** **\*\* Jan. 17, 2012**

- (54) **TOY HAVING THE FORM OF A WHEELED PIG**
- (75) Inventors: **Barry Child**, Kuranda (AU); **Christiane Child**, Kuranda (AU)
- (73) Assignee: **Wildchild Design Pty Ltd**, Queensland (AU)
- (\*\*) Term: **14 Years**
- (21) Appl. No.: **29/385,705**
- (22) Filed: **Feb. 18, 2011**

4,264,080 A *	4/1981	Kassai .....	280/1.13
D361,108 S *	8/1995	Schneider .....	D21/654
D370,823 S *	6/1996	Traeger et al. ....	D7/332
D379,387 S *	5/1997	Stephensen et al. ....	D21/654
D385,598 S *	10/1997	Stephensen et al. ....	D21/654
D385,599 S *	10/1997	Stephensen et al. ....	D21/654
D389,533 S *	1/1998	Maxwell .....	D21/428
D400,952 S *	11/1998	Jensen et al. ....	D21/428
D427,484 S *	7/2000	Ethridge .....	D7/402
D444,825 S *	7/2001	Child et al. ....	D21/428
D456,468 S *	4/2002	Roker .....	D21/654
D587,322 S *	2/2009	Child et al. ....	D21/427
D616,526 S *	5/2010	Ryan .....	D23/212
D629,175 S *	12/2010	McMaster et al. ....	D99/38
D643,995 S *	8/2011	McMaster et al. ....	D99/38

\* cited by examiner

(30) **Foreign Application Priority Data**

Aug. 25, 2010 (AU) ..... 201013664

- (51) **LOC (9) Cl.** ..... **21-01**
- (52) **U.S. Cl.** ..... **D21/428**; D21/654
- (58) **Field of Classification Search** ..... D21/412, D21/414, 415, 419, 424, 426, 427, 428, 503, D21/507, 592, 597, 654; 280/1.16, 1.165, 280/1.167, 1.191, 1.192, 1.22, 1.23, 827, 280/828, 87.01, 87.021, 87.03; D99/38, D99/40; D11/158; 446/97, 98, 368, 369  
See application file for complete search history.

(56) **References Cited**

**U.S. PATENT DOCUMENTS**

D78,317 S *	4/1929	Standers .....	D21/428
D82,753 S *	12/1930	Miles .....	D12/108
D194,912 S *	4/1963	Markham .....	D21/654

*Primary Examiner* — Cynthia M Chin

(74) *Attorney, Agent, or Firm* — William H. Eilberg

(57) **CLAIM**

The ornamental design for a toy having the form of a wheeled pig, as shown and described.

**DESCRIPTION**

FIG. 1 is a perspective view of the design of the present invention.

FIG. 2 is a right side view.

FIG. 3 is a left side view.

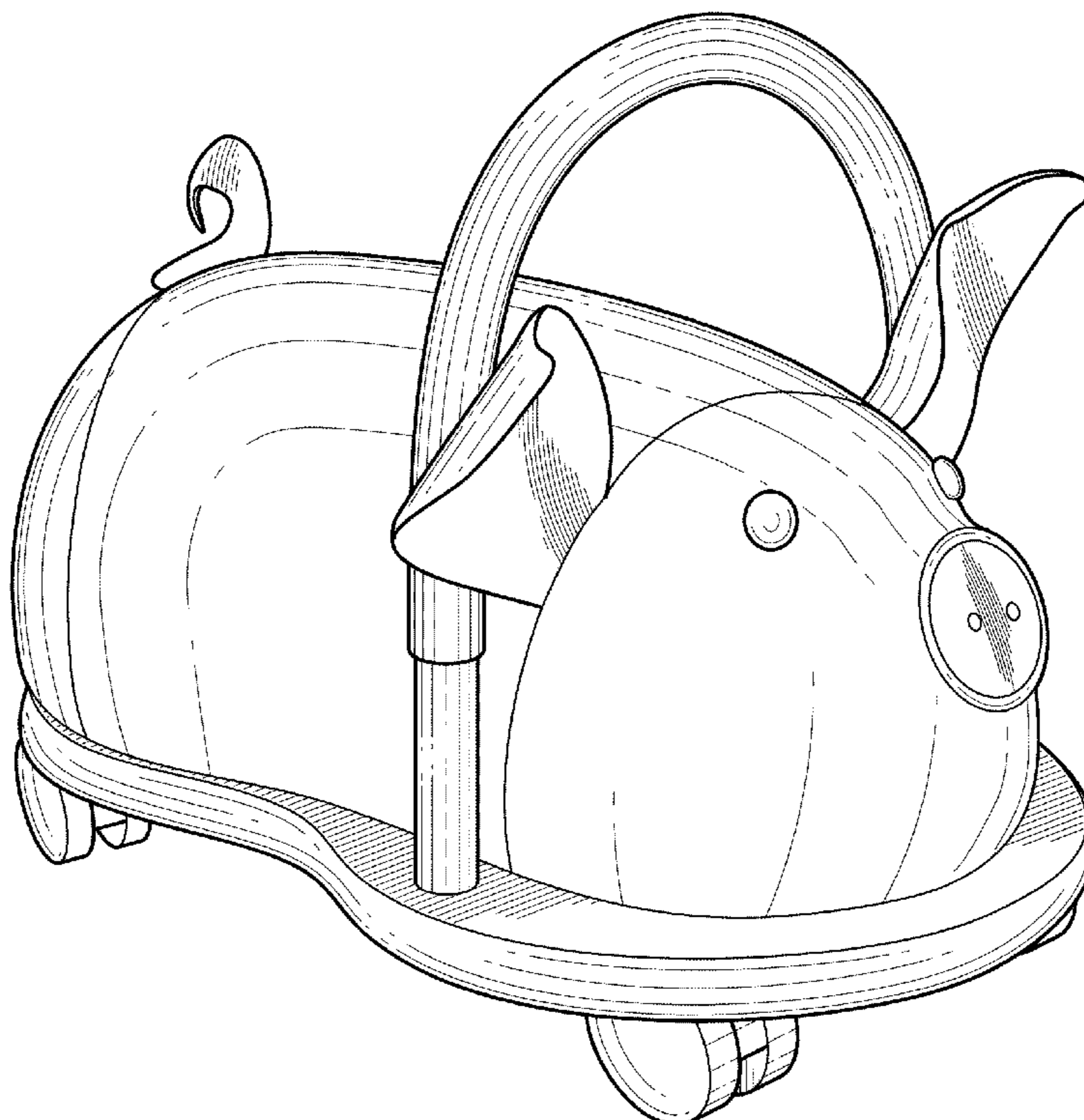
FIG. 4 is a front view.

FIG. 5 is a rear view.

FIG. 6 is a top view; and,

FIG. 7 is a bottom view.

**1 Claim, 7 Drawing Sheets**



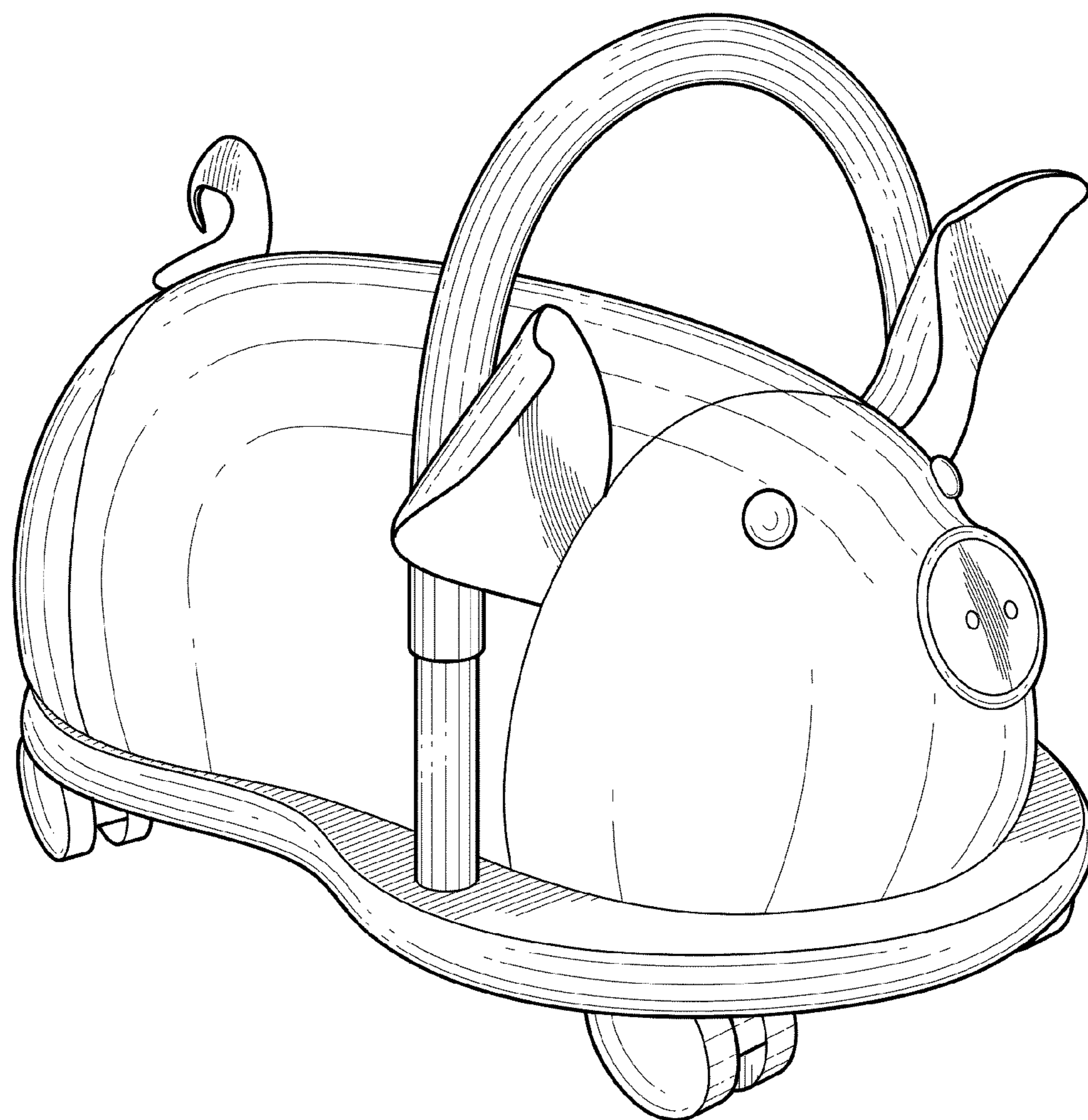


FIG. 1

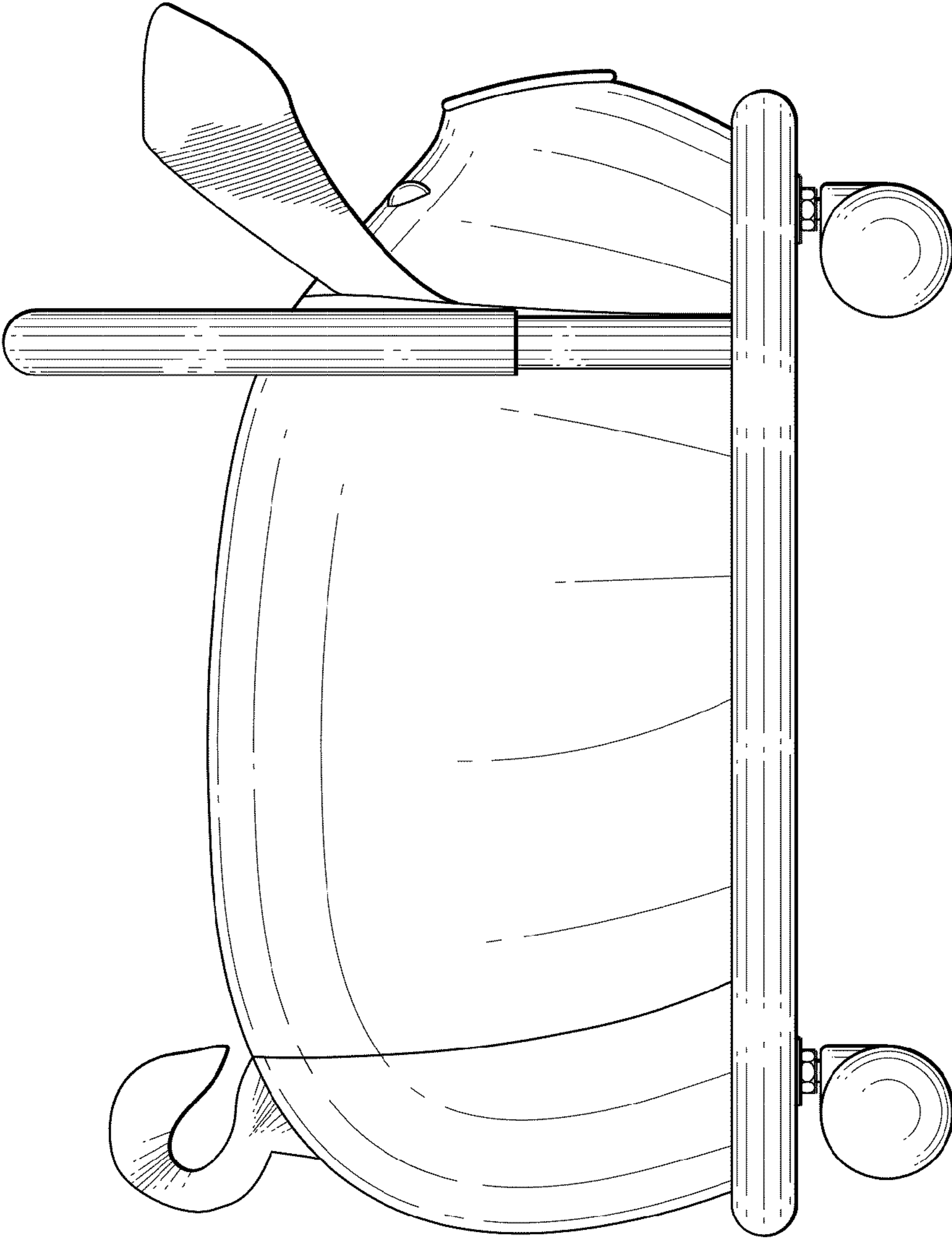


FIG. 2

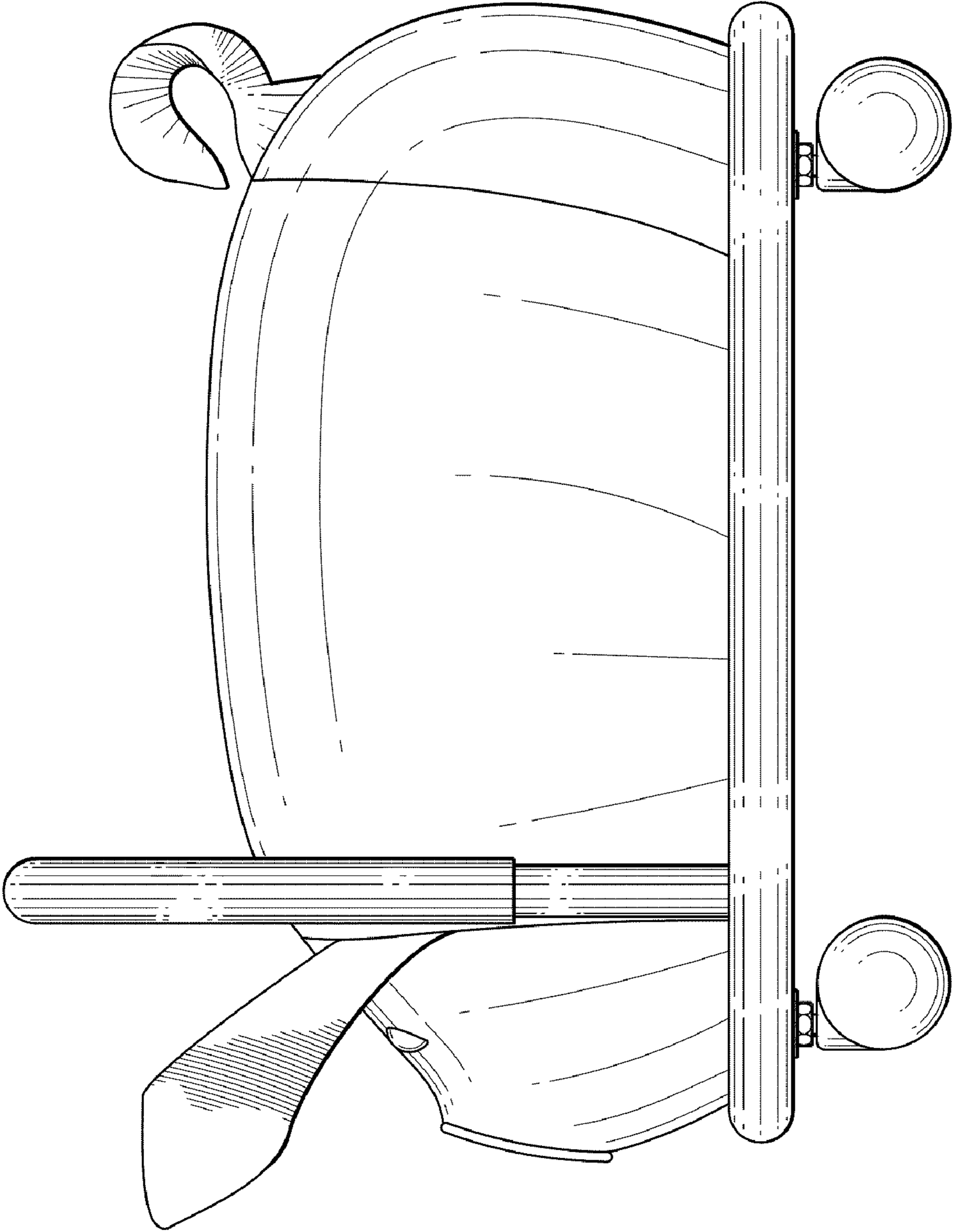


FIG. 3

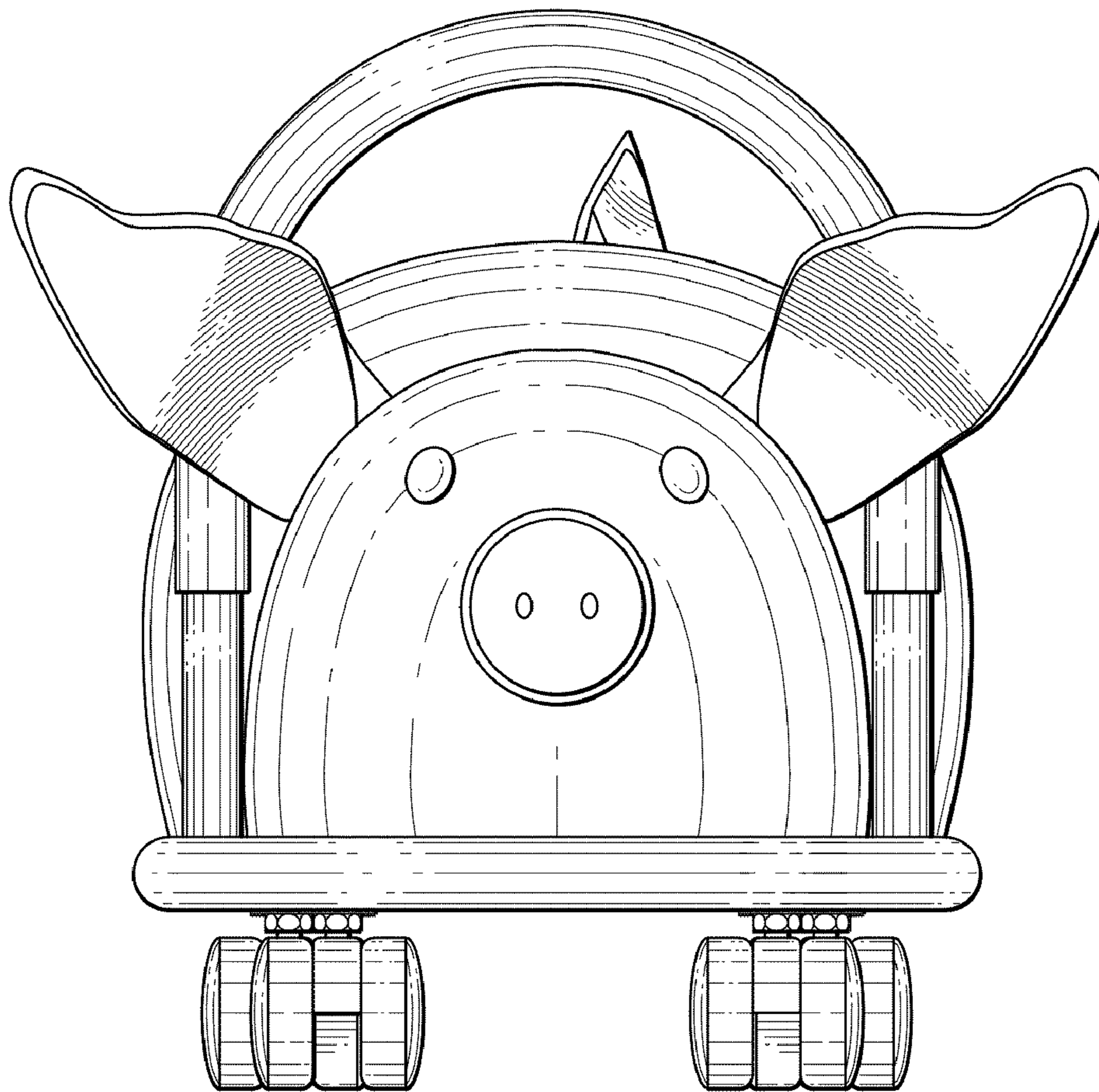


FIG. 4

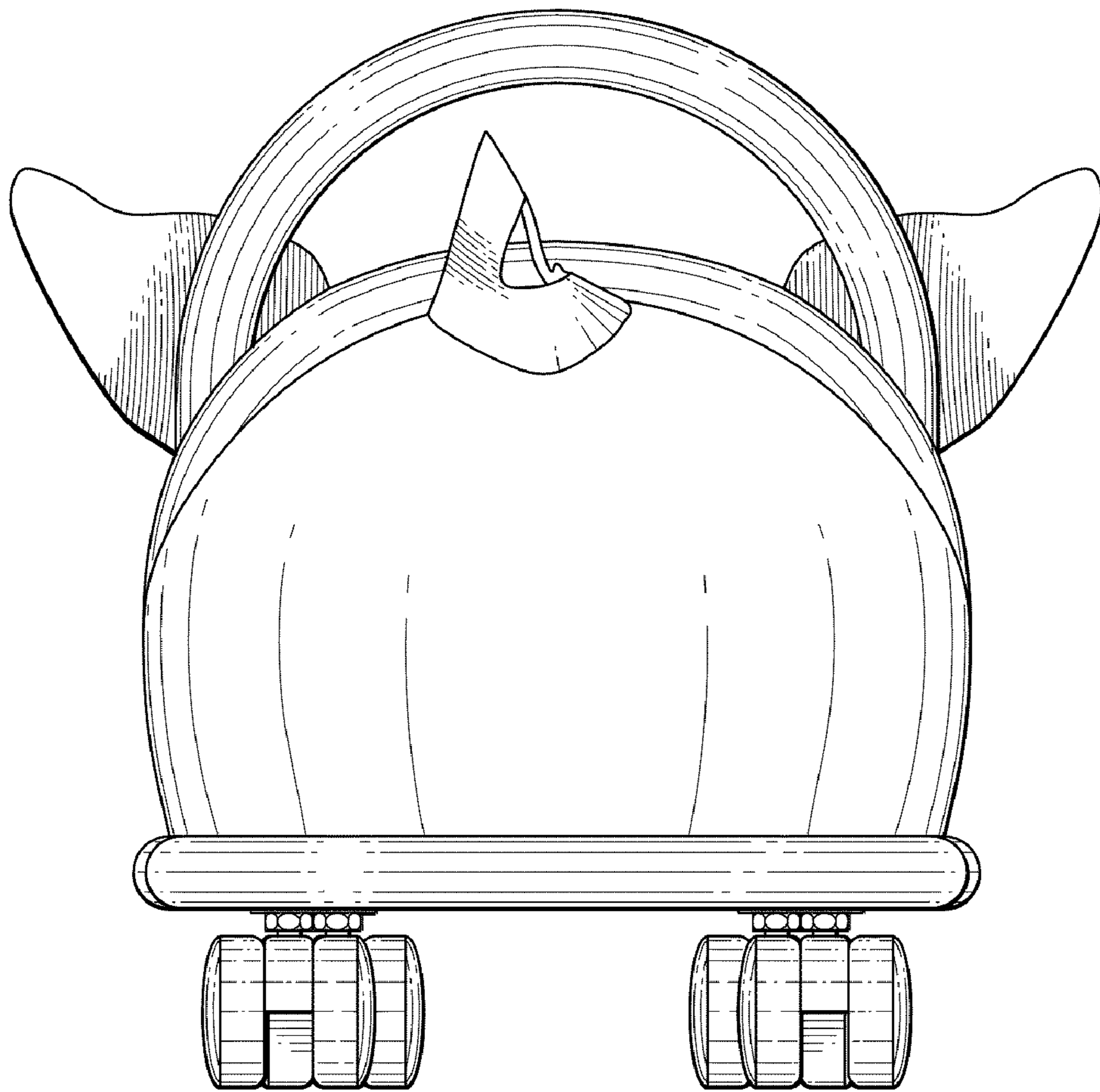
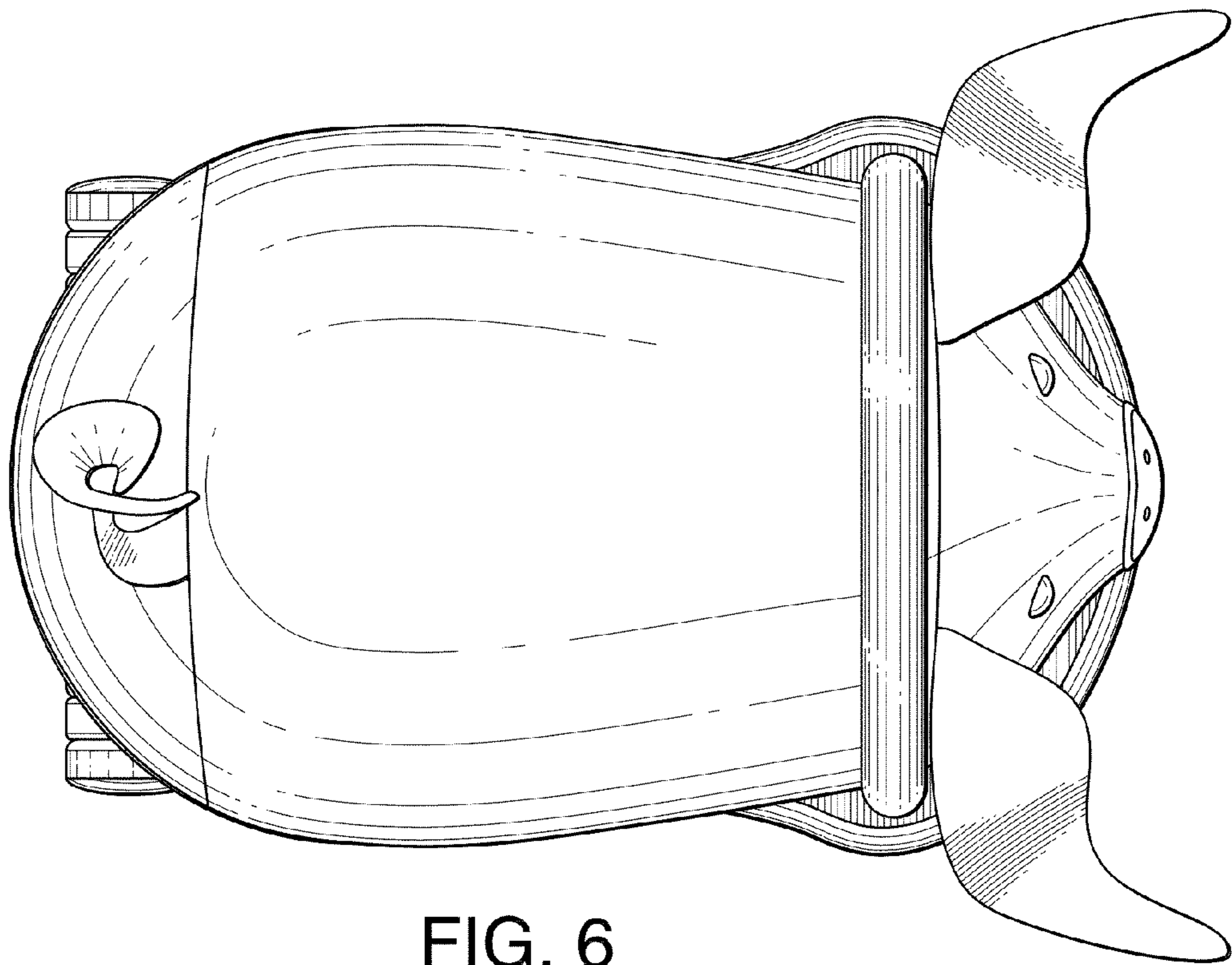


FIG. 5



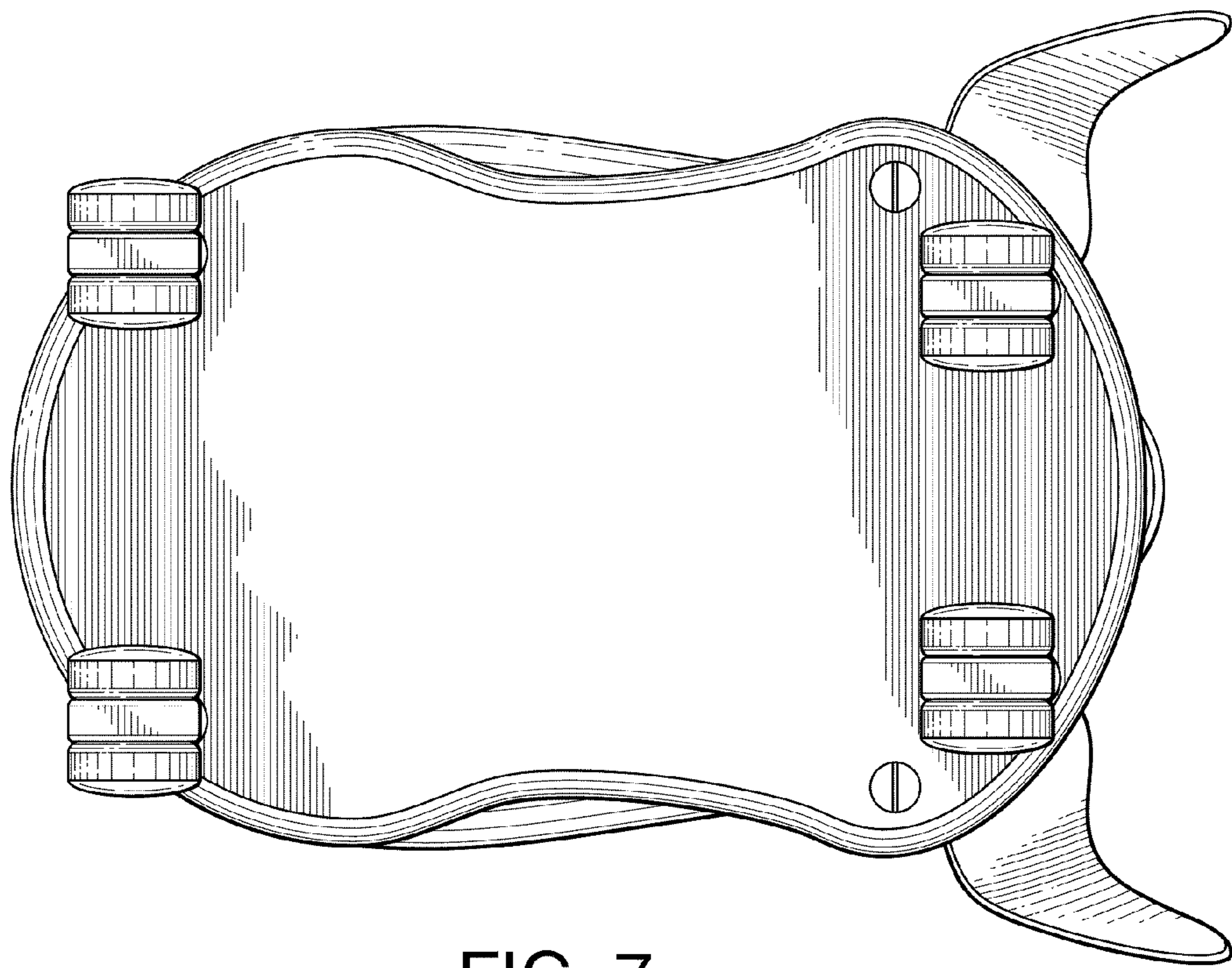


FIG. 7