



US00D652455S

(12) **United States Design Patent**  
**Groeber et al.**

(10) **Patent No.:** **US D652,455 S**

(45) **Date of Patent:** **\*\* Jan. 17, 2012**

(54) **SCOOTER**

(76) Inventors: **Gerry Groeber**, Mesa, AZ (US); **Aaron C. Groeber**, Mesa, AZ (US)

(\*\*) Term: **14 Years**

(21) Appl. No.: **29/391,677**

(22) Filed: **May 11, 2011**

**Related U.S. Application Data**

(62) Division of application No. 29/375,236, filed on Sep. 20, 2010, now Pat. No. Des. 641,799.

(51) **LOC (9) Cl.** ..... **21-01**

(52) **U.S. Cl.** ..... **D21/423; D21/765**

(58) **Field of Classification Search** ..... D21/419,  
D21/421, 423, 426, 769, 760, 765, 771, 803;  
D12/1, 8; 280/14.21, 14.25, 14.26, 87.041,  
280/87.042, 87.05, 263, 288.1, 288.2, 288.4,  
280/200, 214, 809; 180/180, 181  
See application file for complete search history.

(56) **References Cited**

**U.S. PATENT DOCUMENTS**

D250,610	S	*	12/1978	Wynn	.....	D21/423
4,179,134	A	*	12/1979	Atkinson	.....	280/87.042
4,707,884	A	*	11/1987	Chang	.....	16/440
4,732,400	A	*	3/1988	Santini	.....	280/87.042
4,775,162	A	*	10/1988	Chao	.....	280/87.041
4,811,971	A	*	3/1989	Phillips	.....	280/87.041
4,886,297	A	*	12/1989	Levine	.....	280/809

D421,282	S	*	2/2000	Orr	.....	D21/765
D451,162	S	*	11/2001	Spiers	.....	D21/767
D456,047	S	*	4/2002	Mandic	.....	D21/423
6,520,516	B2	*	2/2003	Favorito et al.	.....	280/87.042
D514,186	S	*	1/2006	Hazlett	.....	D21/765
D569,448	S	*	5/2008	Sramek et al.	.....	D21/423
7,681,895	B2	*	3/2010	Chen	.....	280/87.041
D641,799	S	*	7/2011	Groeber et al.	.....	D21/423

\* cited by examiner

*Primary Examiner* — Cynthia M Chin

(74) *Attorney, Agent, or Firm* — Booth Udall, PLC; Steven J. Laureanti

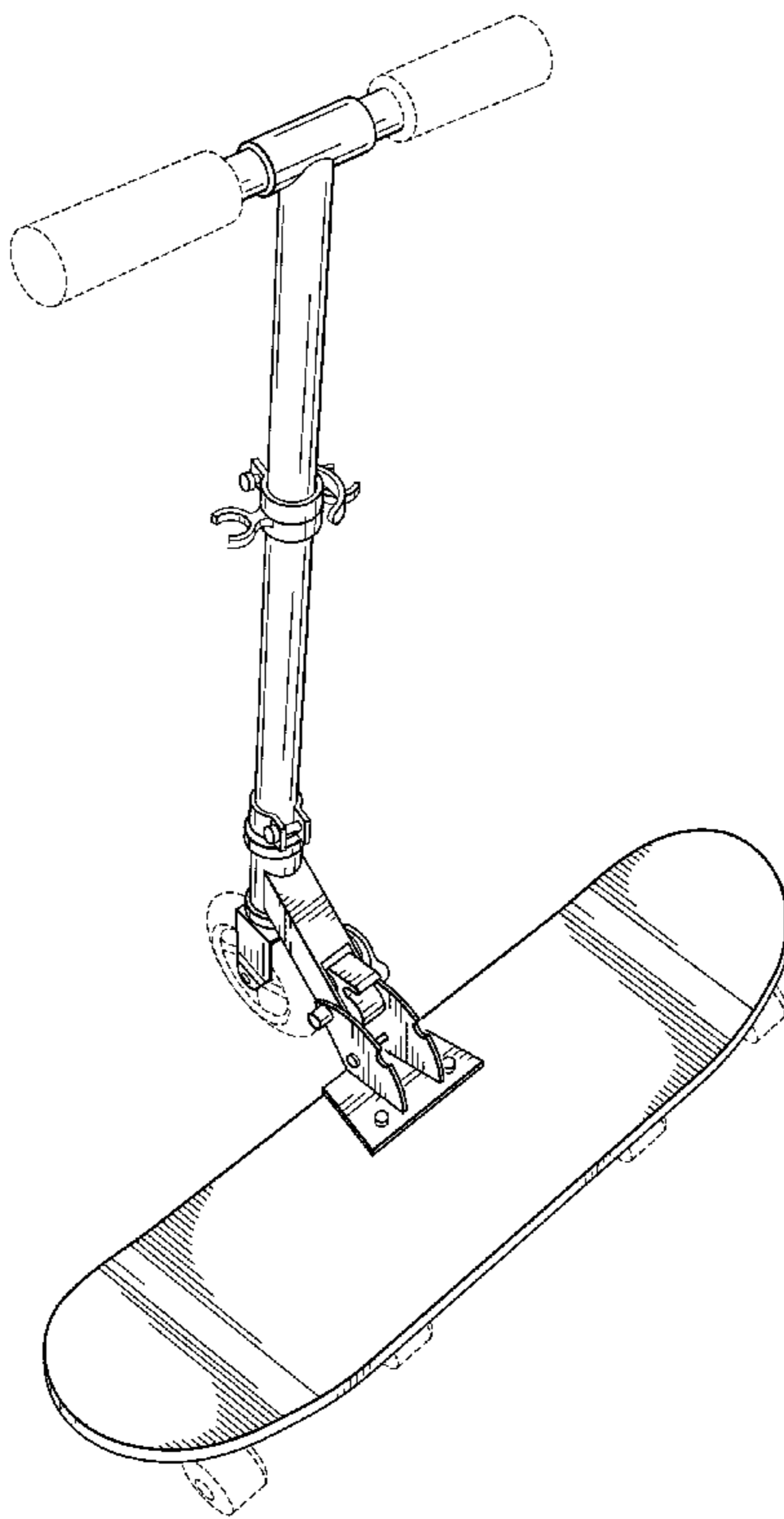
(57) **CLAIM**

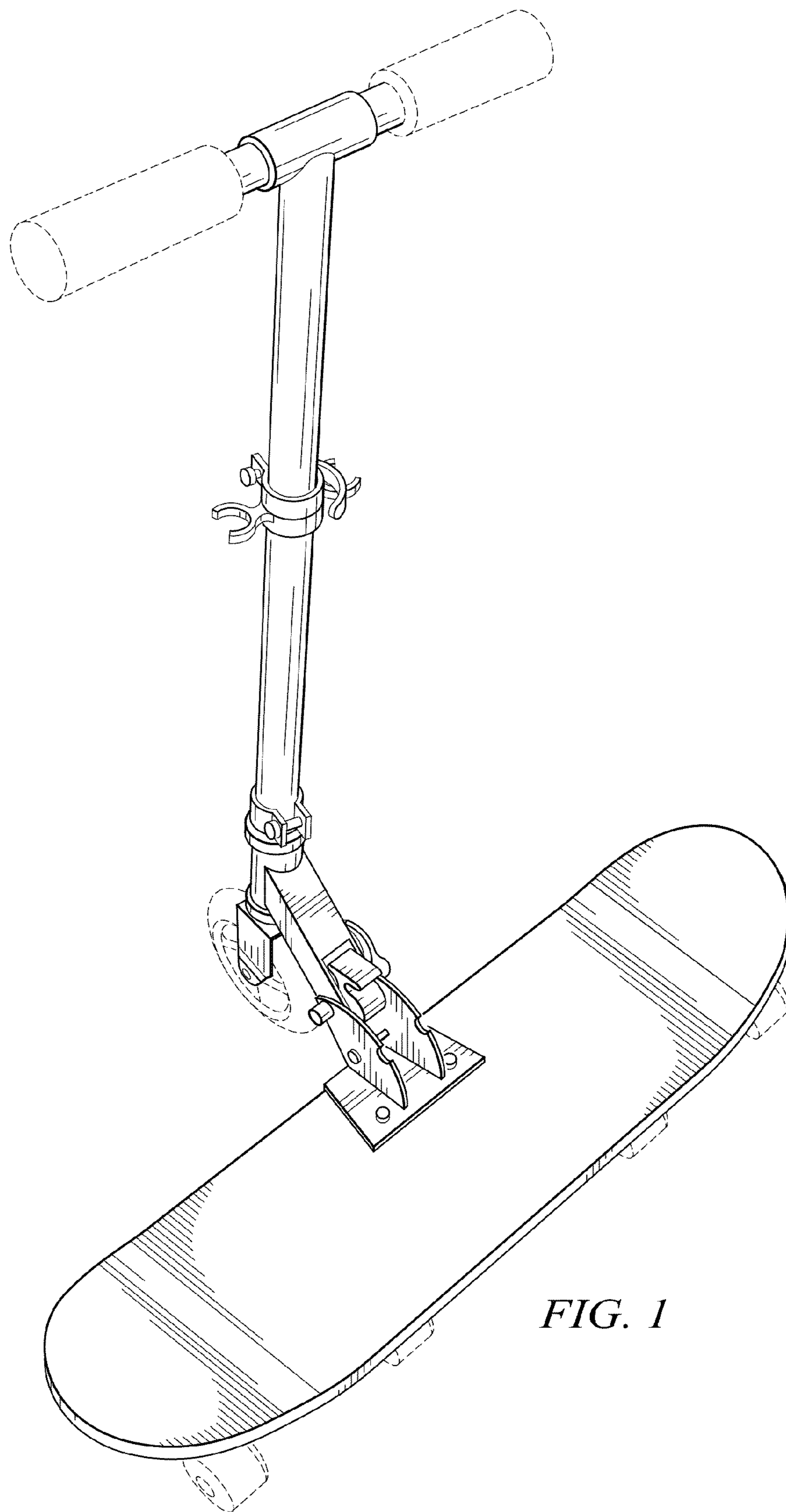
The ornamental design for a scooter, as shown and described.

**DESCRIPTION**

FIG. 1 is a perspective view of the present invention; FIG. 2 is a front view of the present invention; FIG. 3 is a left side view of the present invention; FIG. 4 is a right side view of the present invention; FIG. 5 is a back view of the present invention; FIG. 6 is a top view of the present invention; and, FIG. 7 is a bottom view of the present invention. The broken lines in FIGS. 1-7 immediately adjacent the solid lines represent the bounds of the claim, and the broken lines and the area within the broken lines represent unclaimed portions of the present invention. None of the broken lines form a part of the claimed design.

**1 Claim, 6 Drawing Sheets**





*FIG. 1*

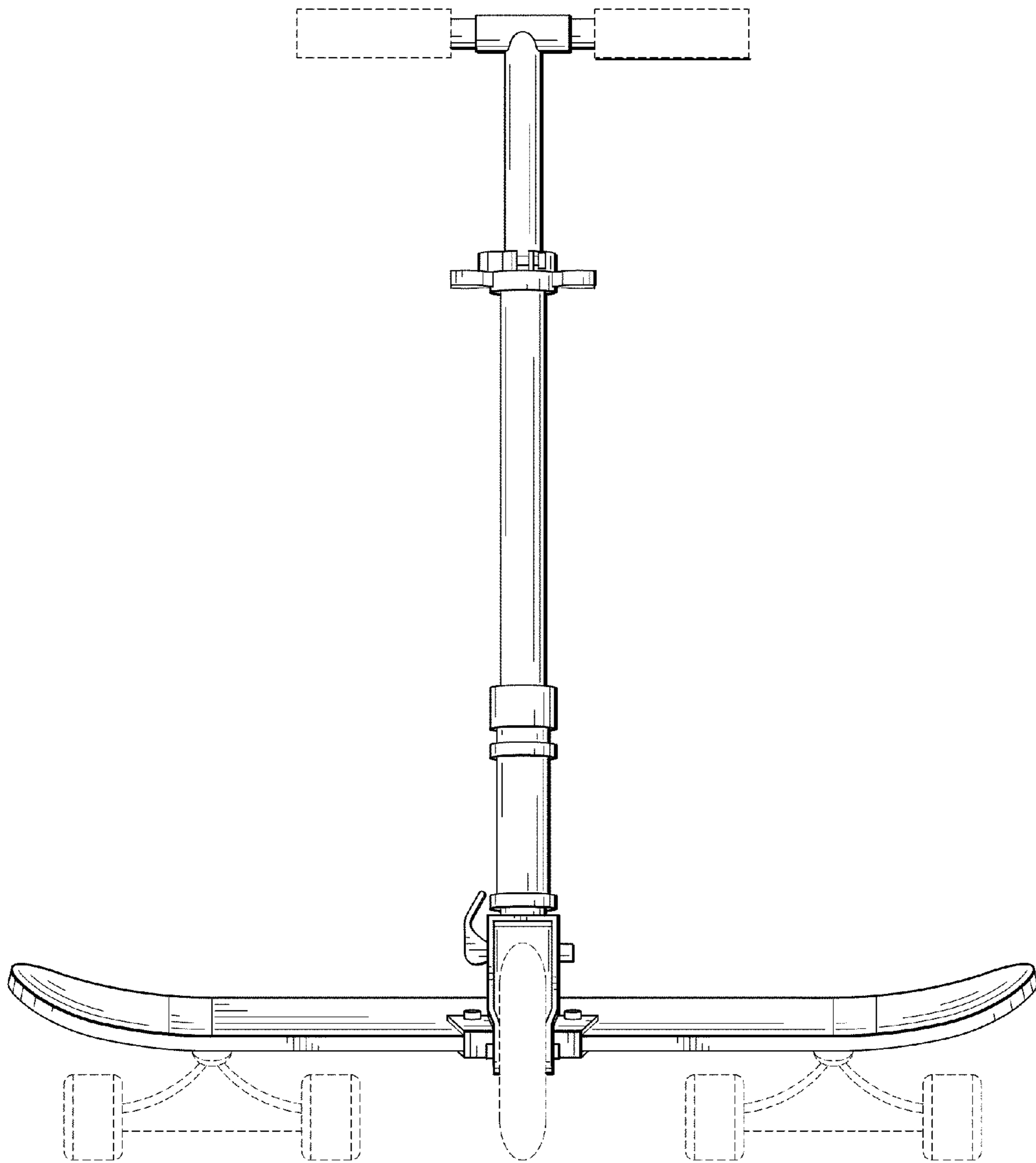
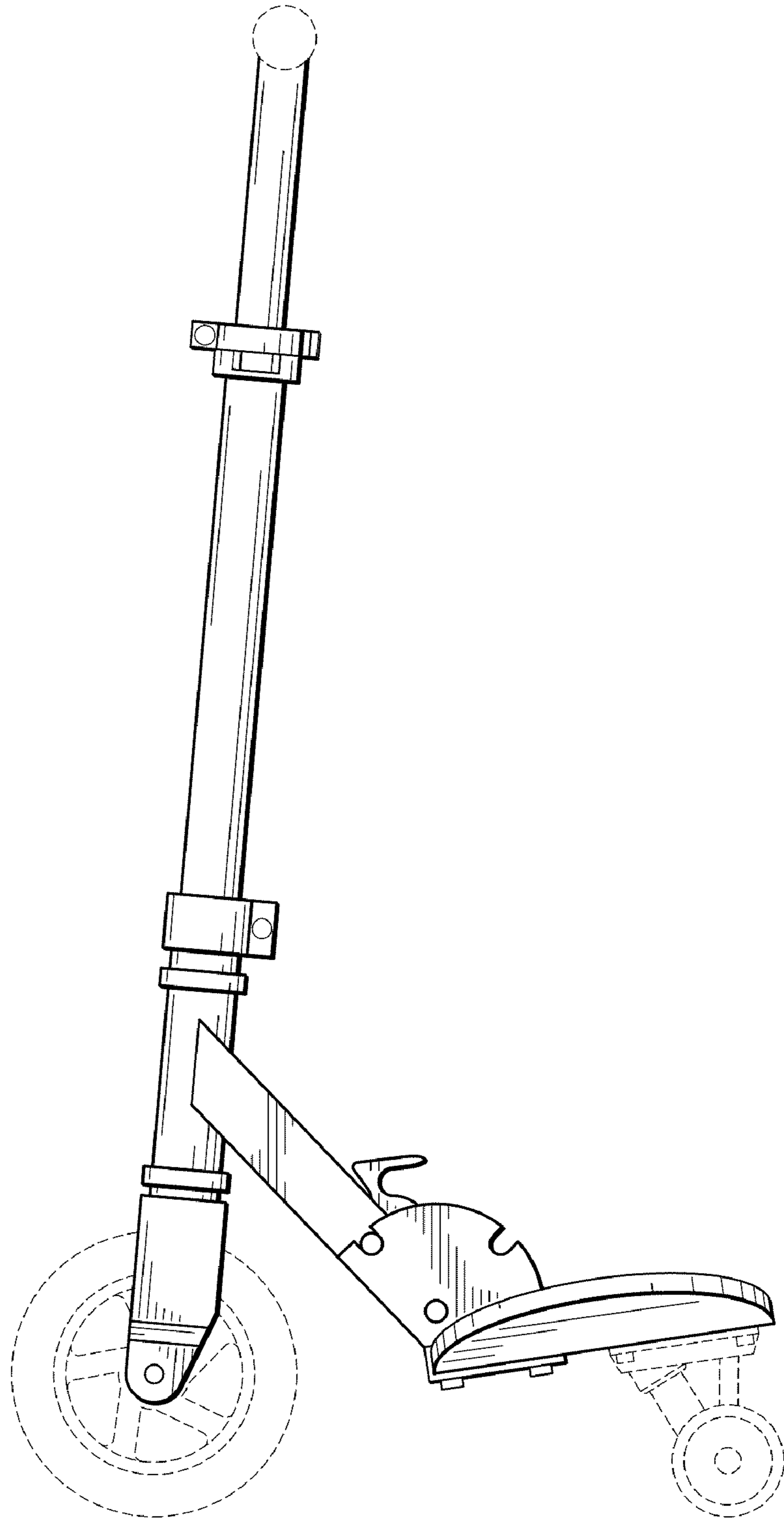
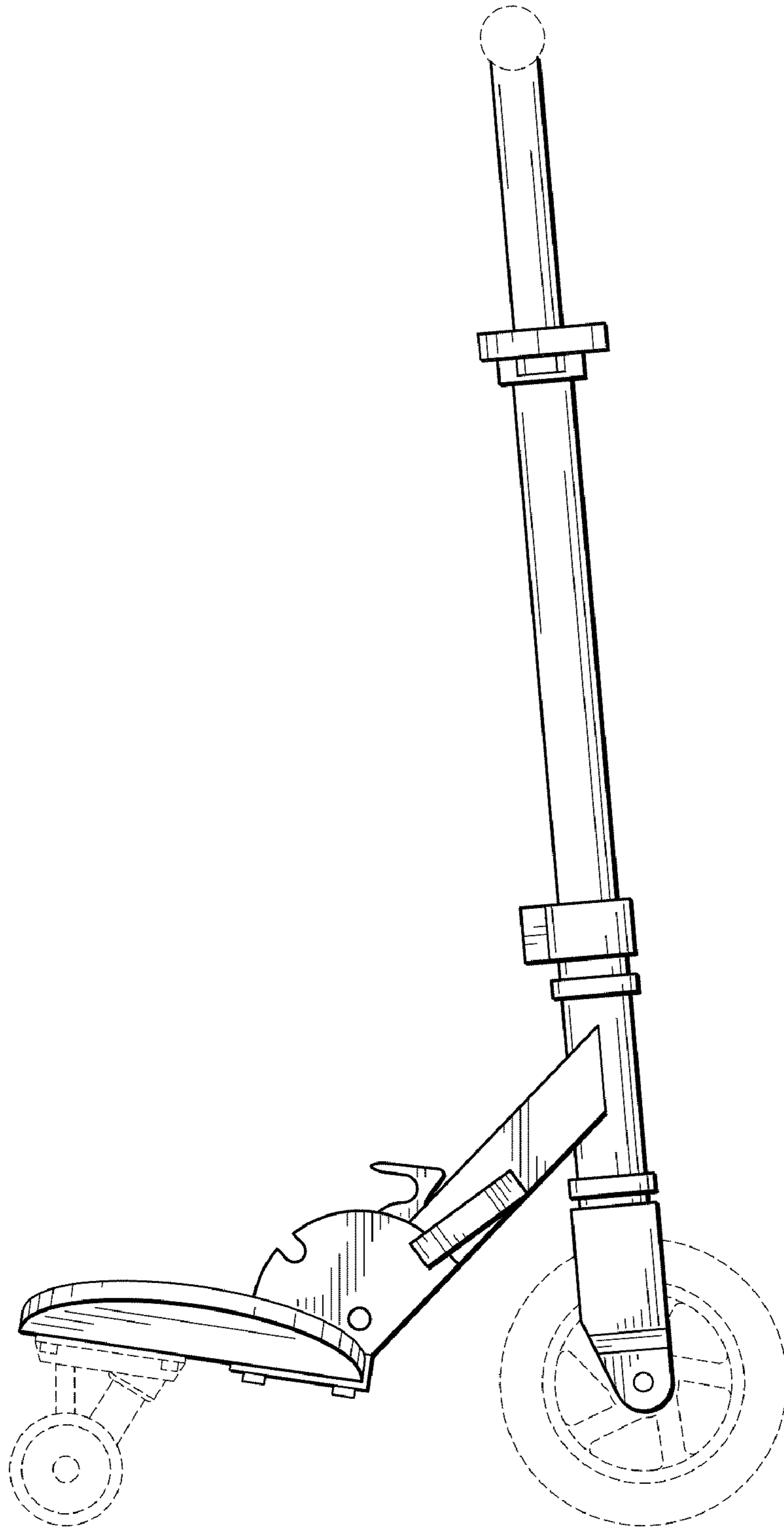


FIG. 2



*FIG. 3*



*FIG. 4*

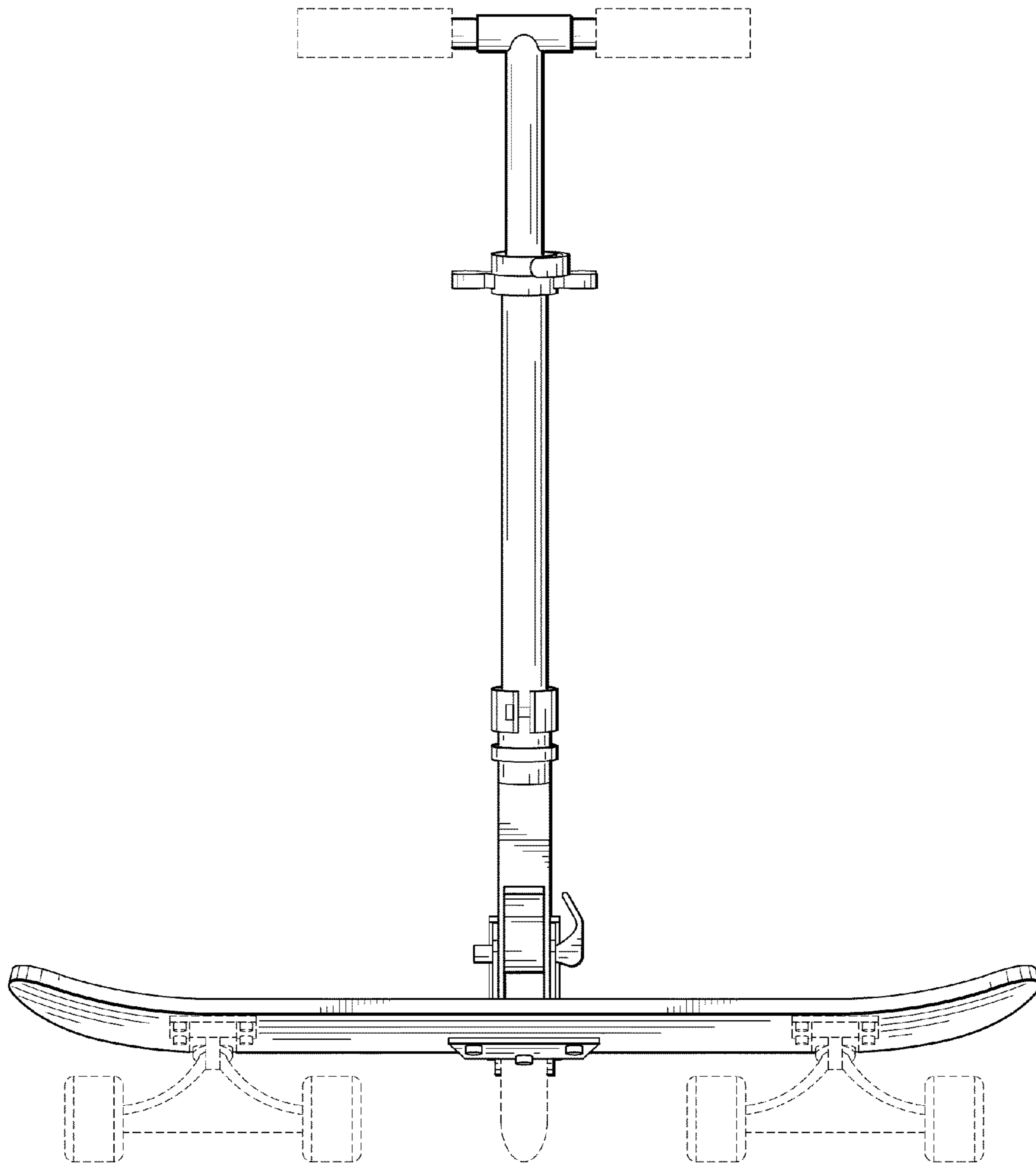


FIG. 5

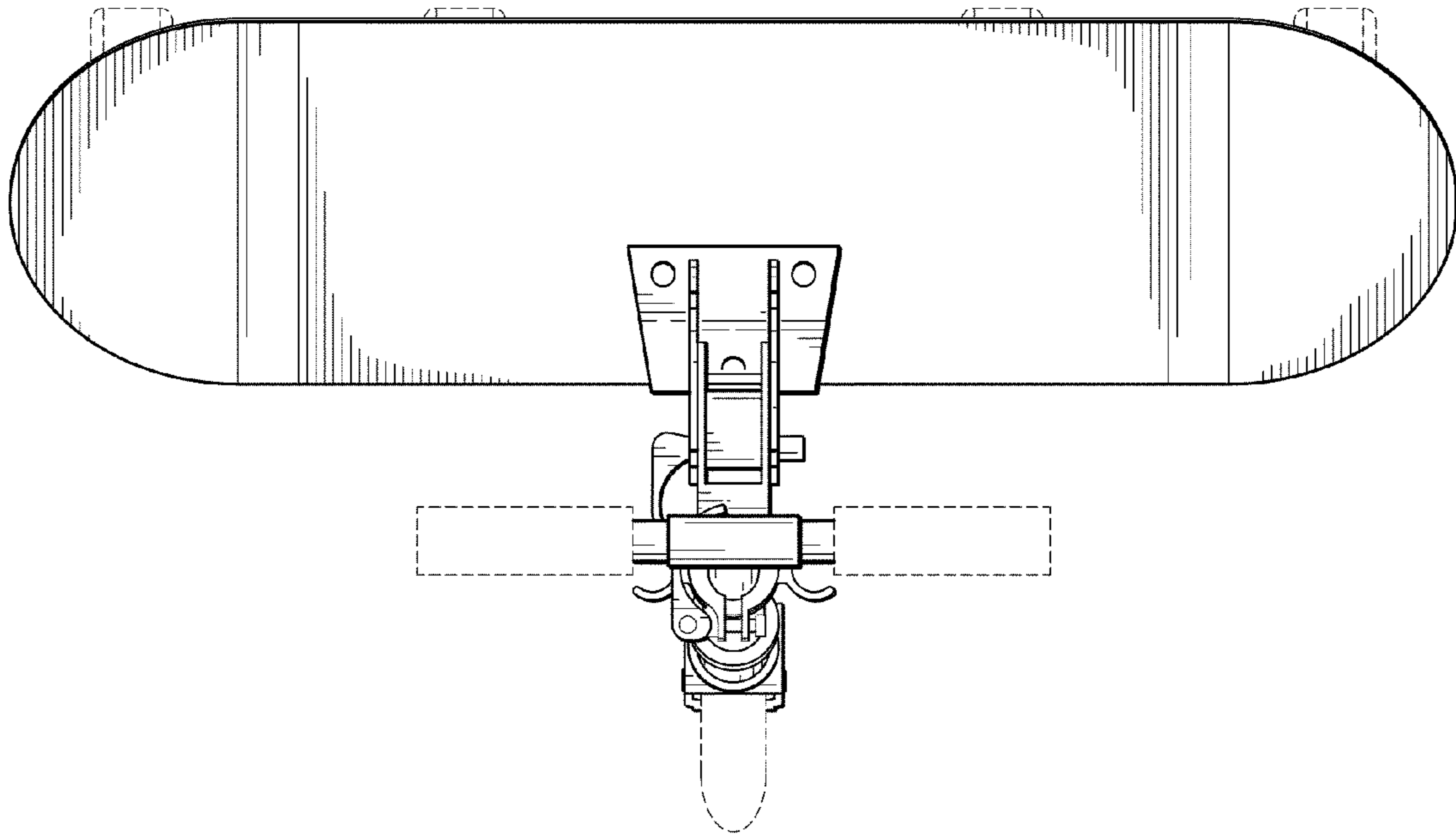


FIG. 6

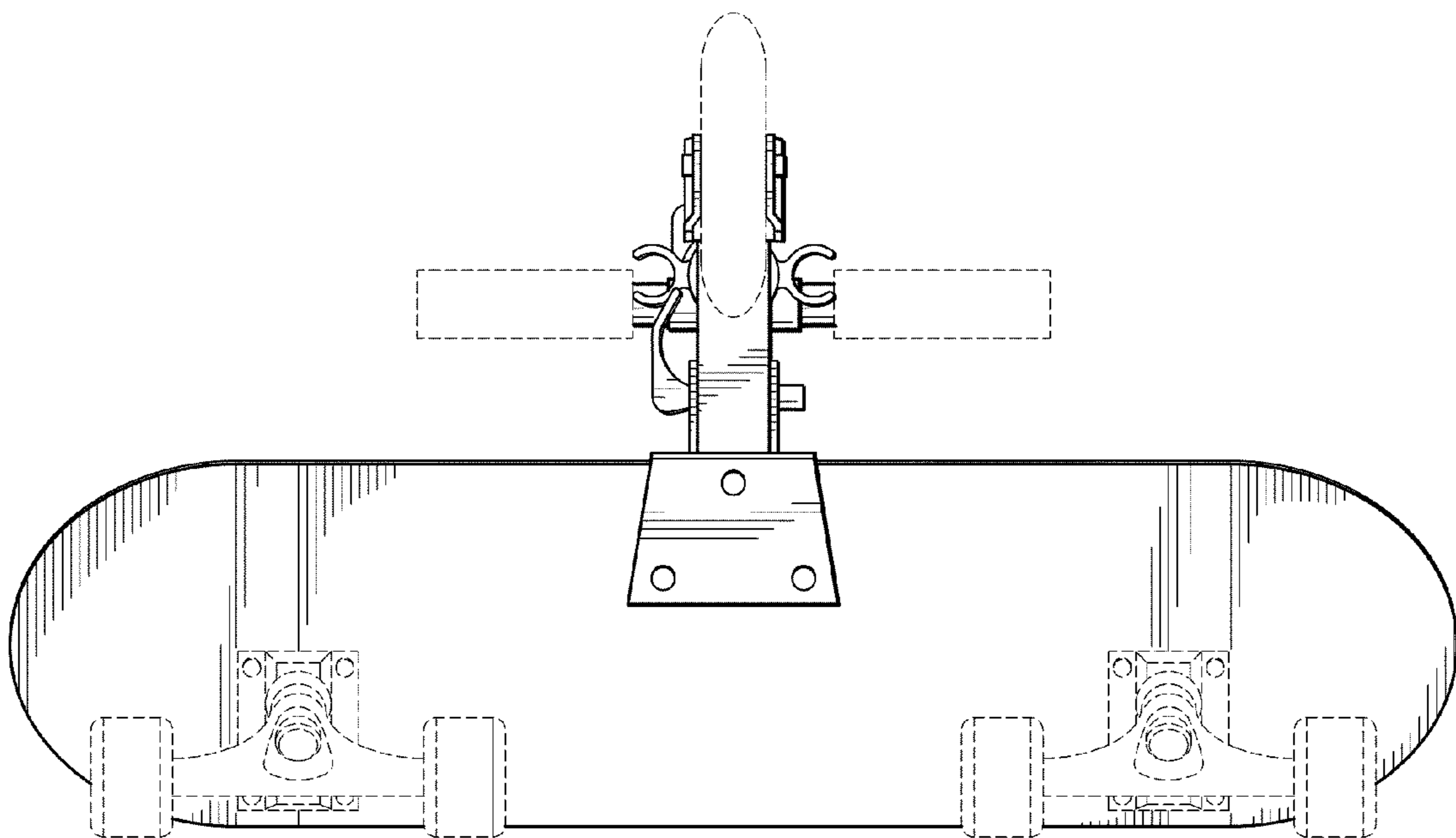


FIG. 7