

US00D652454S

(12) **United States Design Patent**  
**Yepez**

(10) **Patent No.:** **US D652,454 S**  
(45) **Date of Patent:** **\*\* Jan. 17, 2012**

- (54) **ENTERTAINMENT KIOSK**
- (75) **Inventor:** **Rafael Yepez**, Sanford, FL (US)
- (73) **Assignee:** **NCR Corporation**, Duluth, GA (US)
- (\*\*) **Term:** **14 Years**
- (21) **Appl. No.:** **29/342,064**
- (22) **Filed:** **Aug. 18, 2009**
- (51) **LOC (9) Cl.** ..... **21-01**
- (52) **U.S. Cl.** ..... **D21/324**
- (58) **Field of Classification Search** ..... D14/304–307;  
D21/324–329, 369–371, 385; 273/138.1;  
463/13, 16, 17, 20, 22, 46, 47  
See application file for complete search history.

- D472,223 S \* 3/2003 Wilmotte ..... D14/126
- D557,348 S \* 12/2007 Gutknecht et al. .... D21/370
- 7,985,133 B2 \* 7/2011 Baerlocher et al. .... 463/25
- 7,985,139 B2 \* 7/2011 Lind et al. .... 463/46
- 2006/0073900 A1 \* 4/2006 Cole ..... 463/46
- 2008/0045320 A1 \* 2/2008 Kato ..... 463/20

\* cited by examiner

*Primary Examiner* — Raphael Barkai  
*Assistant Examiner* — Randall Gholson  
(74) *Attorney, Agent, or Firm* — Paul W. Martin

(57) **CLAIM**  
The ornamental design for an entertainment kiosk, as shown and described.

**DESCRIPTION**

FIG. 1 is a front view;  
FIG. 2 is a rear view;  
FIG. 3 is a right side view;  
FIG. 4 is a left side view;  
FIG. 5 is a top view; and,  
FIG. 6 is a perspective view.  
The broken lines shown on the drawings are included for the purpose of illustrating unclaimed features of the design and form no part of the claimed design.

**1 Claim, 6 Drawing Sheets**

(56) **References Cited**

**U.S. PATENT DOCUMENTS**

- D292,423 S \* 10/1987 Williams et al. .... D21/333
- D306,464 S \* 3/1990 Axtell ..... D21/325
- D307,771 S \* 5/1990 Cesaroni et al. .... D21/370
- D335,757 S \* 5/1993 Ward et al. .... D21/333
- D378,929 S \* 4/1997 Brettschneider ..... D21/370
- D413,635 S \* 9/1999 Taylor ..... D21/369
- D452,535 S \* 12/2001 Johnson et al. .... D21/370

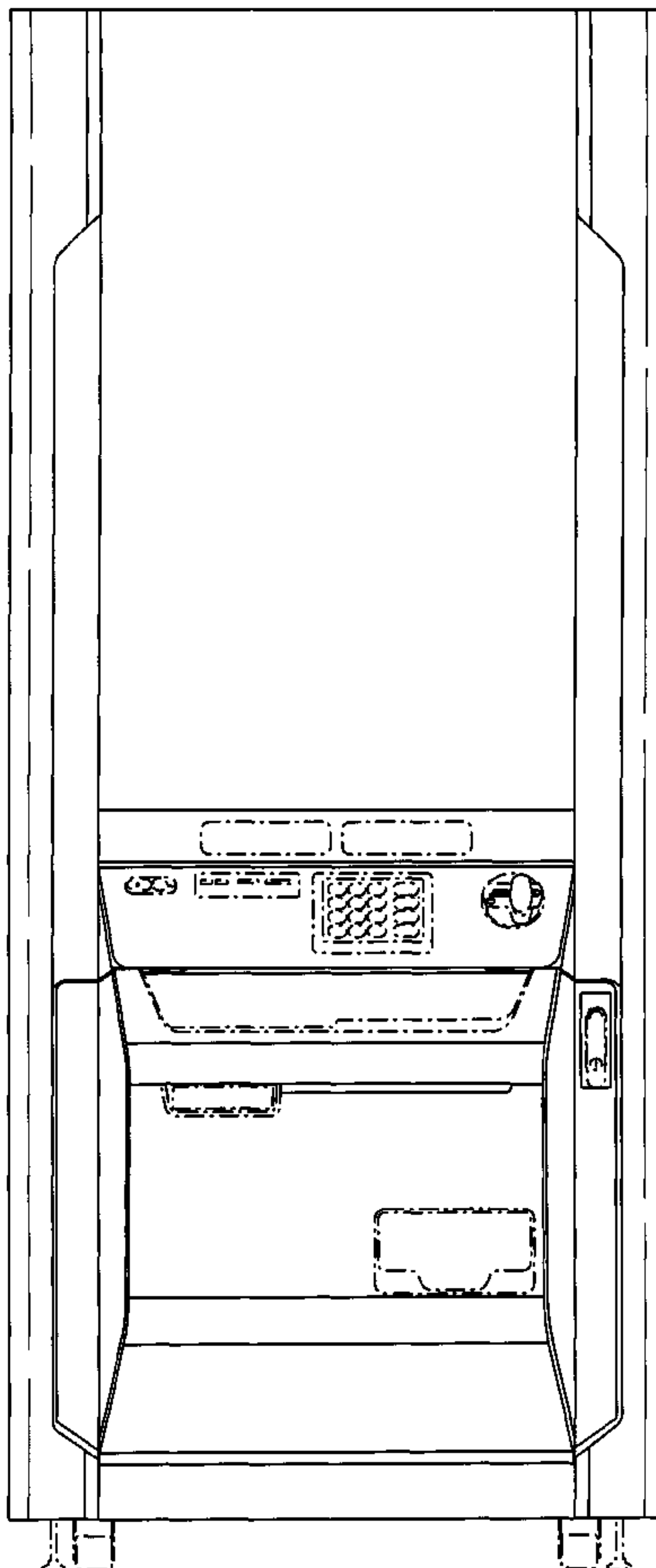
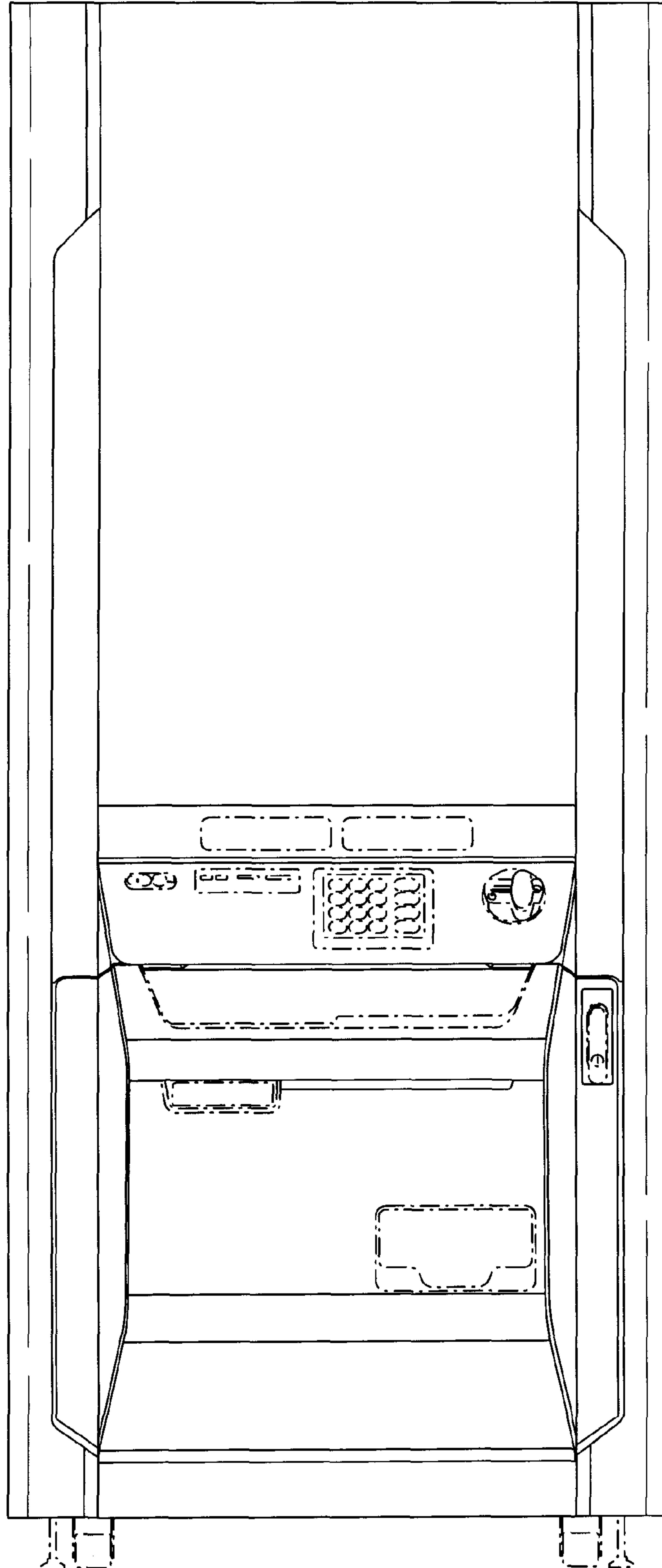


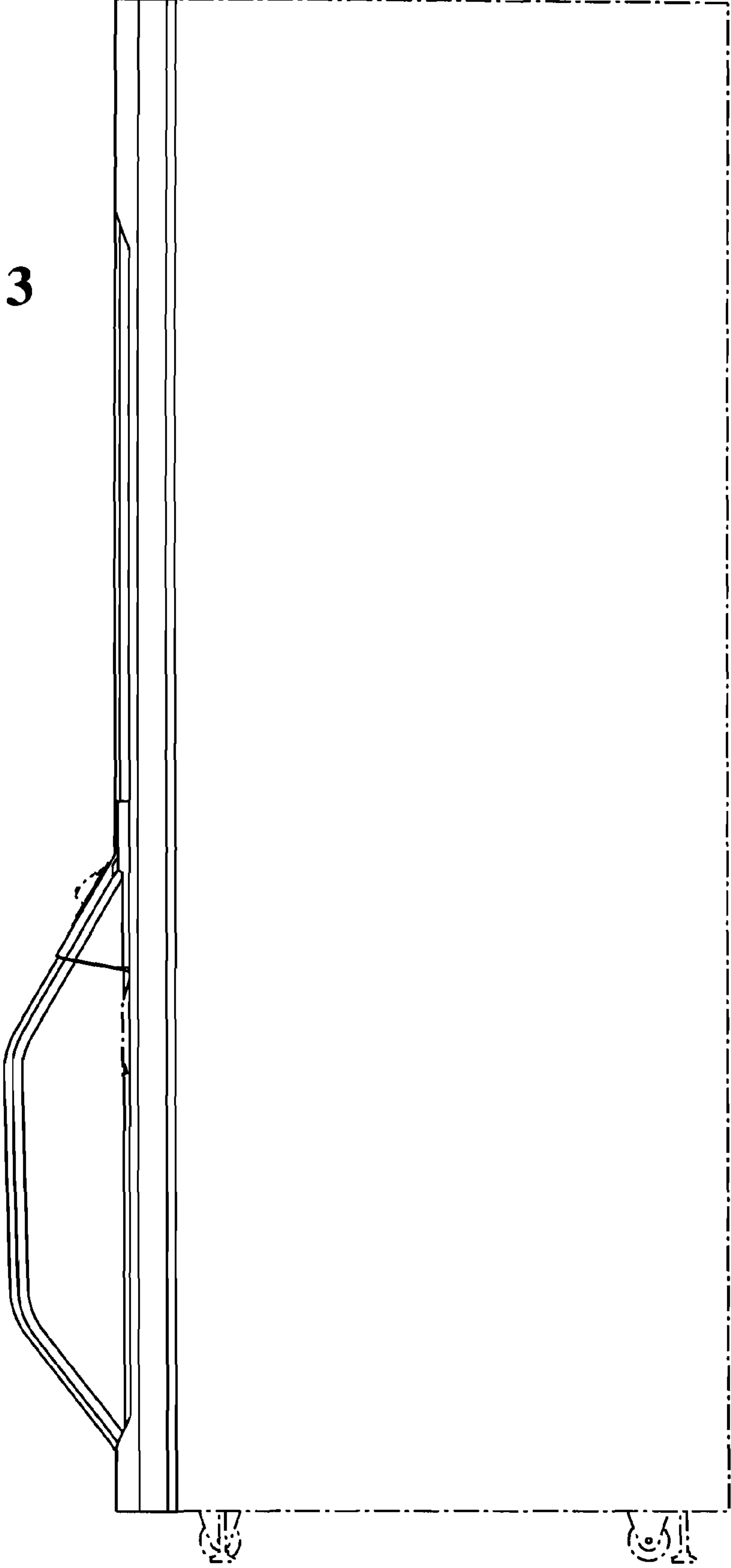
FIG. 1

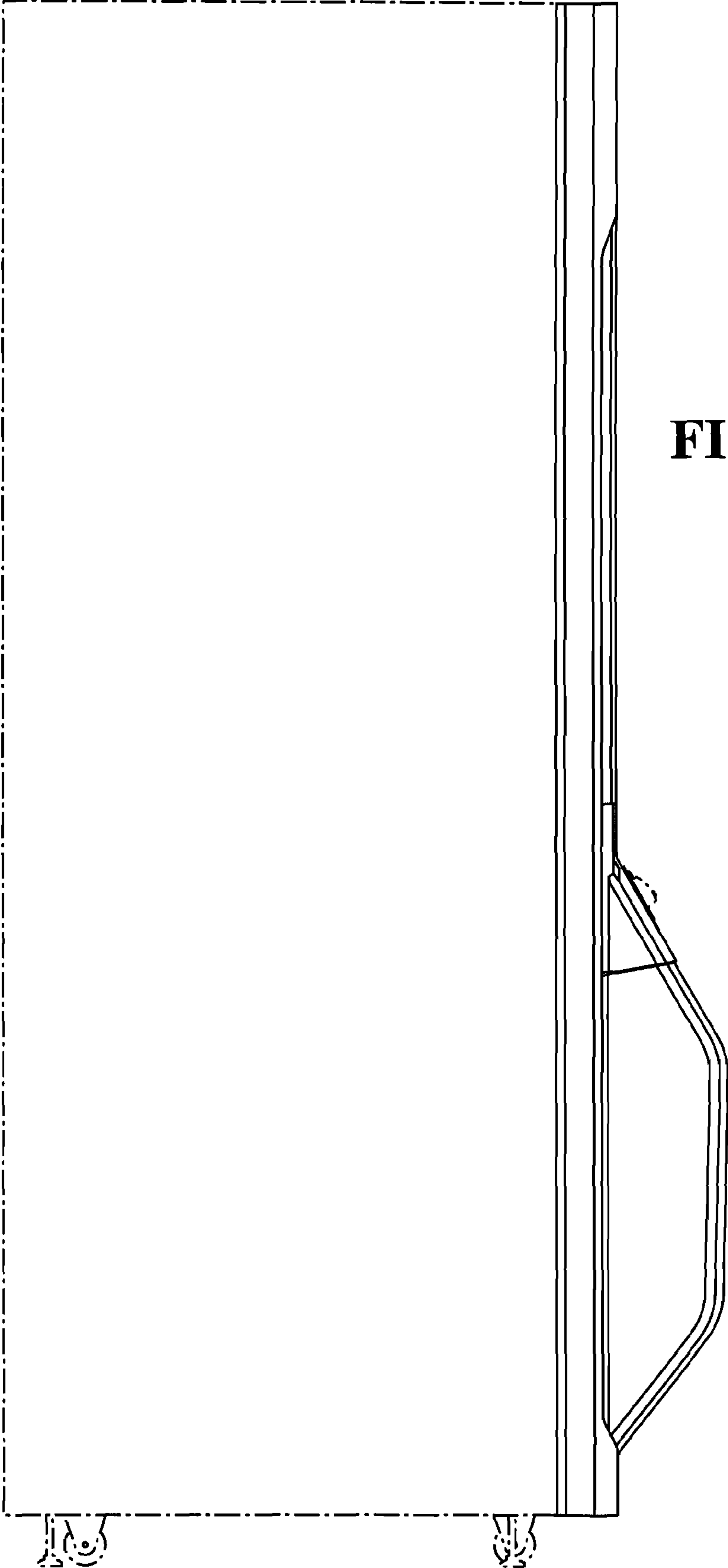




**FIG. 2**

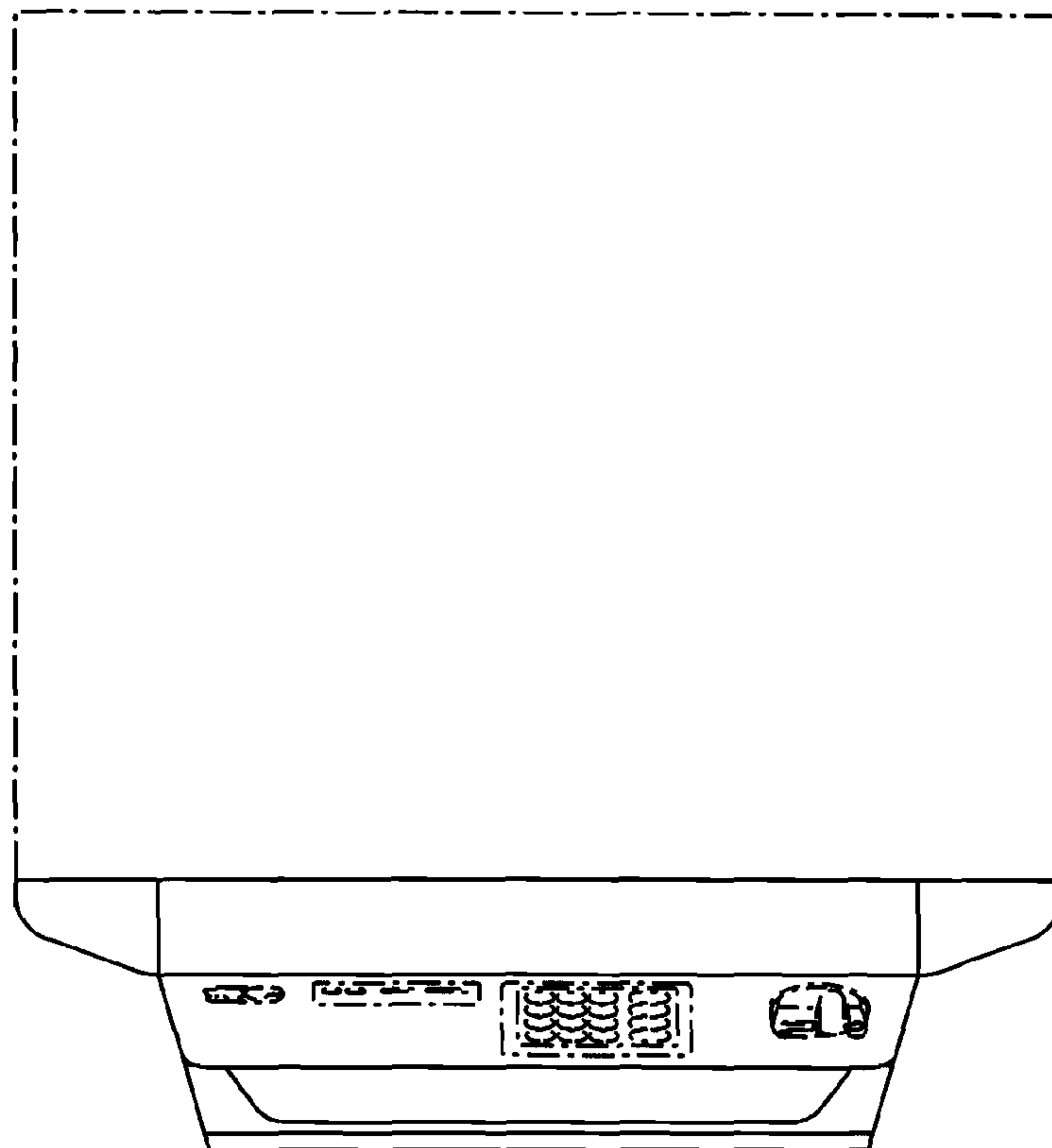
**FIG. 3**





**FIG. 4**

**FIG. 5**



**FIG. 6**

