



US00D652453S

(12) **United States Design Patent**  
**Tortorella et al.**

(10) **Patent No.:** **US D652,453 S**  
(45) **Date of Patent:** **\*\* Jan. 17, 2012**

(54) **CARD HOLDER**

(56) **References Cited**

(75) Inventors: **Stevan Paul Tortorella**, Wells, ME  
(US); **Michael J. Smith**, Cardiff (GB)

(73) Assignee: **GE Healthcare UK Limited**, Little  
Chalfont (GB)

(\*\*) Term: **14 Years**

(21) Appl. No.: **29/380,970**

(22) Filed: **Dec. 14, 2010**

(30) **Foreign Application Priority Data**

Jun. 15, 2010 (EM) ..... 001219646

(51) **LOC (9) Cl.** ..... **20-02**

(52) **U.S. Cl.** ..... **D20/43**

(58) **Field of Classification Search** ..... D20/10,  
D20/13, 15, 19, 40, 42-44, 99; 40/124.01,  
40/299.01, 620, 642.02, 646-653, 654.01,  
40/655, 658, 659, 661, 661.01-661.04, 661.06-661.09,  
40/661.11, 700; D8/354; D19/52, 91; 248/469,  
248/473; D6/300

See application file for complete search history.

U.S. PATENT DOCUMENTS

1,681,586 A *	8/1928	Kessler	.....	248/473
D143,007 S *	11/1945	Kissling	.....	D6/310
3,225,477 A *	12/1965	Edwards	.....	40/620
3,474,555 A *	10/1969	McCaffrey	.....	40/659
D268,424 S *	3/1983	Shuman	.....	D20/40
D480,112 S *	9/2003	Santolaya	.....	D20/10

\* cited by examiner

*Primary Examiner* — Mary Ann Calabrese

(57) **CLAIM**

The ornamental design for card holder, as shown and described.

**DESCRIPTION**

FIG. 1 is a perspective view of the card holder.  
FIG. 2 is a top view of the card holder.  
FIG. 3 is a bottom view of the card holder.  
FIG. 4 is a front view of the card holder.  
FIG. 5 is a rear view of the card holder; and,  
FIG. 6 is a side view of the card holder.  
The broken lines are included for the purpose of illustrating unclaimed portions of the card holder and form no part of the claimed design.

**1 Claim, 6 Drawing Sheets**

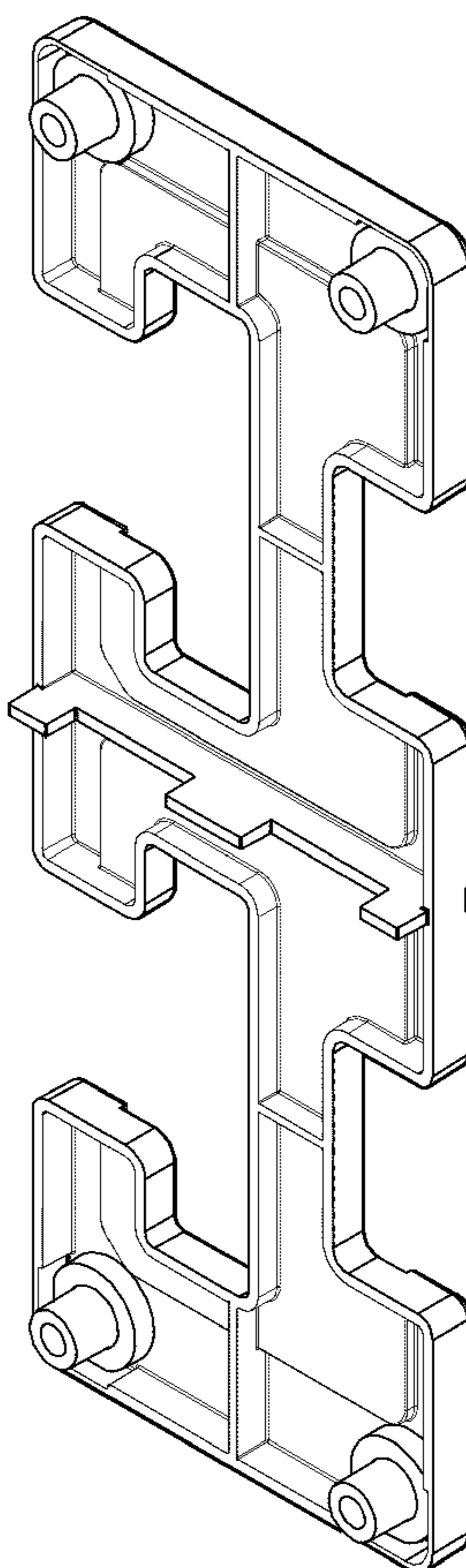


FIG. 1

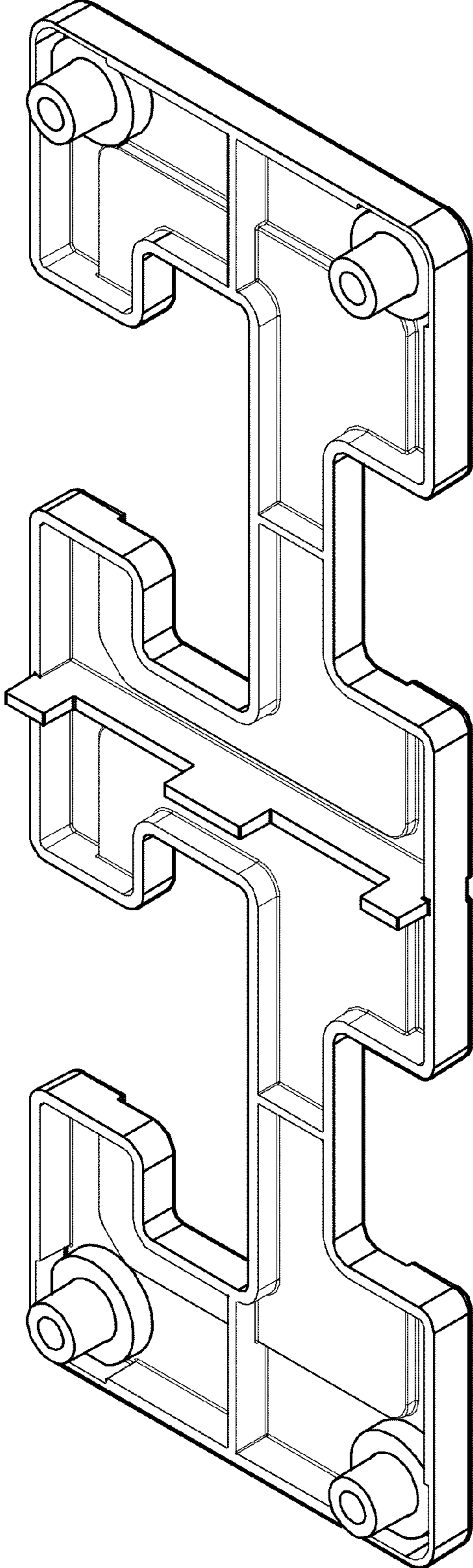


FIG. 2

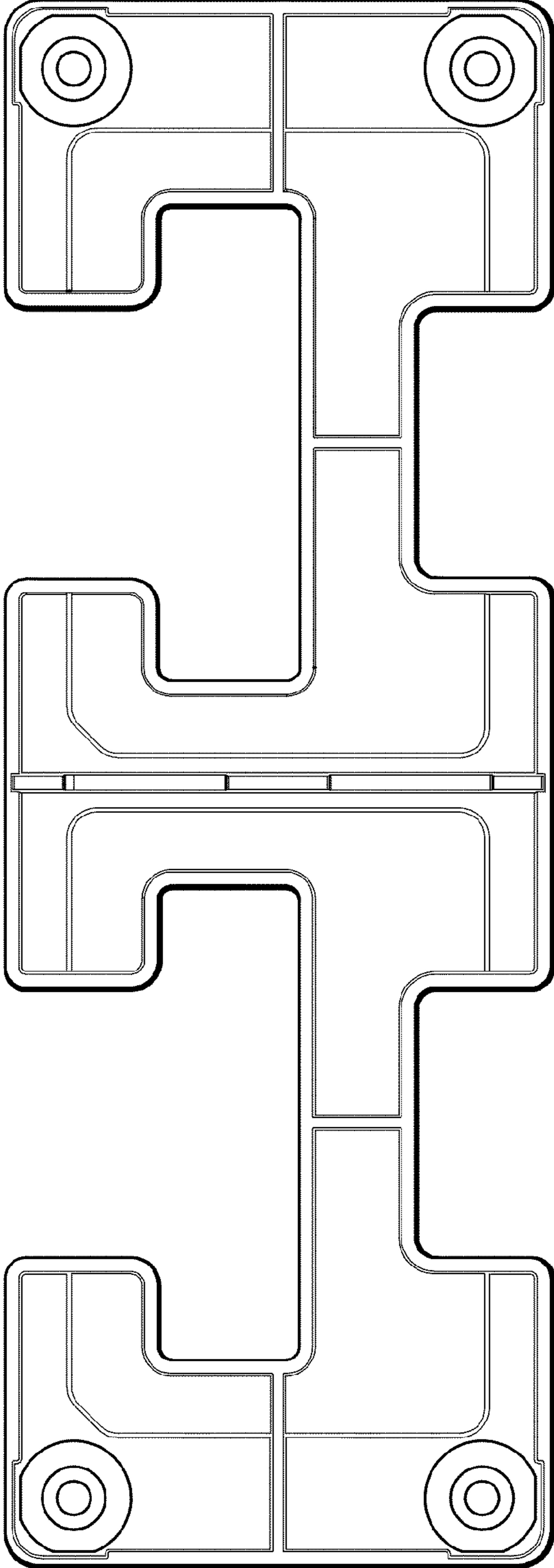


FIG. 3

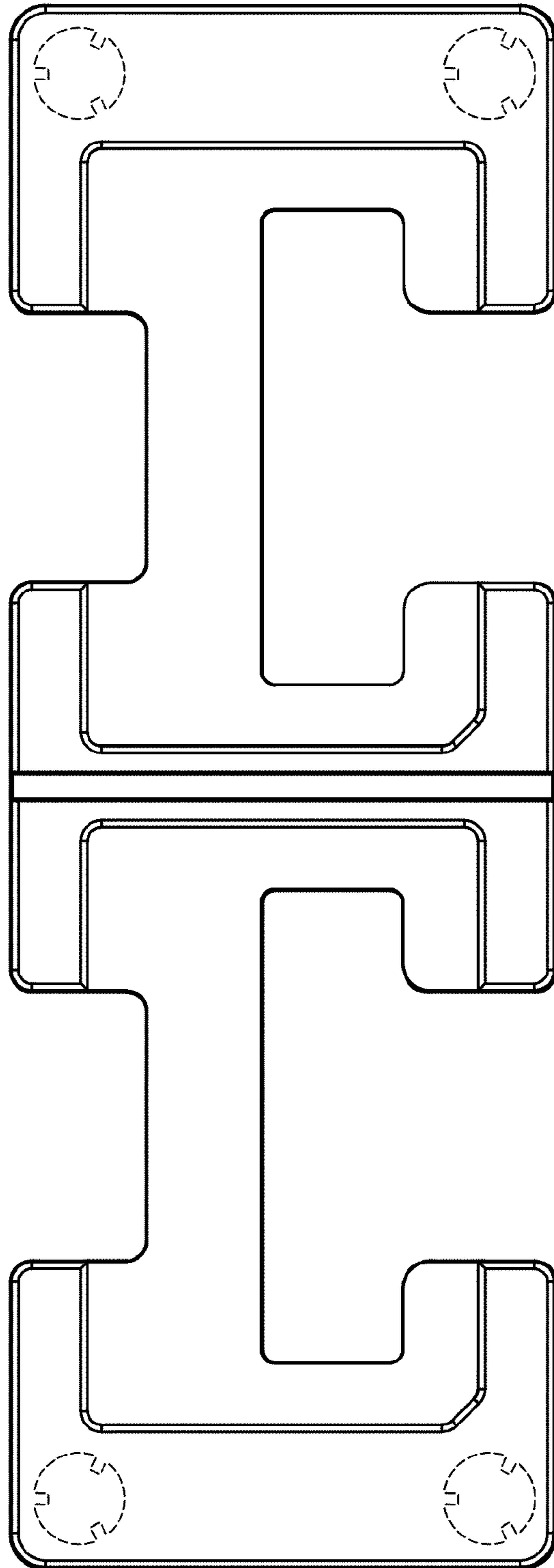


FIG. 4

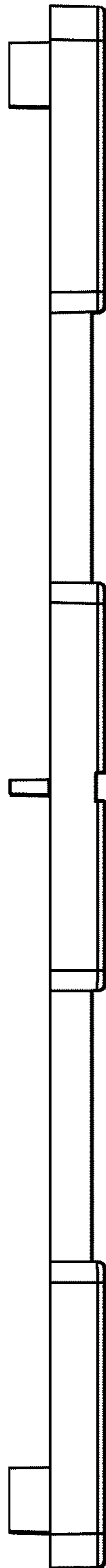


FIG. 5

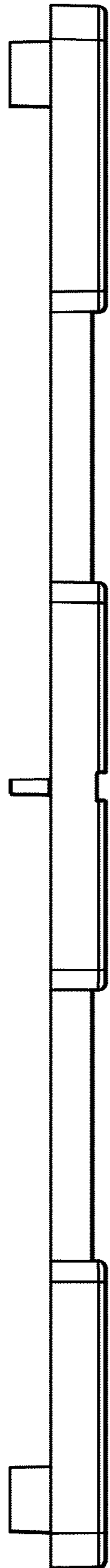


FIG. 6

