



US00D652447S

(12) **United States Design Patent**  
**Knox, Jr.**

(10) **Patent No.:** **US D652,447 S**

(45) **Date of Patent:** **\*\* Jan. 17, 2012**

(54) **GIFT CARD PUZZLE BOX**

(75) Inventor: **William Knox, Jr.**, Painesville, OH (US)

(73) Assignee: **Mag-Nif Incorporated**, Mentor, OH (US)

(\*\*) Term: **14 Years**

(21) Appl. No.: **29/333,129**

(22) Filed: **Mar. 3, 2009**

(51) **LOC (9) Cl.** ..... **19-01**

(52) **U.S. Cl.** ..... **D19/2**

(58) **Field of Classification Search** ..... D19/1-6,  
D19/20-34; 40/124.01-124.15, 661, 672,  
40/726, 776, 617, 453; 283/72, 74, 75, 103,  
283/105, 106, 101, 34, 56, 61, 904; 206/447,  
206/449; D20/10, 22, 27, 40, 42, 11; D21/338,  
D21/340, 478; 273/109, 110, 115, 116, 153 R;  
472/62; 446/168, 170; 463/9, 15

See application file for complete search history.

(56) **References Cited**

**U.S. PATENT DOCUMENTS**

277,120	A *	5/1883	Davenport	.....	273/109
416,258	A *	12/1889	Dunn	.....	273/115
444,112	A *	1/1891	Bagdorf	.....	273/115
D32,838	S *	6/1900	Kolp	.....	D21/340
D32,933	S *	7/1900	Feigl	.....	D21/340
863,412	A *	8/1907	Macrum	.....	273/115
939,050	A *	11/1909	Matthew	.....	273/109
991,748	A *	5/1911	Reed	.....	273/115
1,072,558	A *	9/1913	Ashburner	.....	273/109
1,101,980	A *	6/1914	Williams	.....	273/110
1,940,328	A *	12/1933	Schrotenboer	.....	229/103
D157,950	S *	4/1950	Goldstein	.....	D21/339
2,525,738	A *	10/1950	Tormey	.....	273/153 R
2,655,260	A *	10/1953	Clerc	.....	206/232
D200,717	S *	3/1965	Rosaya	.....	D21/340
3,218,754	A *	11/1965	Hunter	.....	446/8
3,540,731	A *	11/1970	Muncey	.....	273/109

D222,488	S *	10/1971	Rochoff	.....	D21/322
3,625,516	A *	12/1971	Handweiler et al.	.....	273/153 R
D228,005	S *	7/1973	Stubb	.....	D21/340
3,785,651	A *	1/1974	Smith	.....	273/113
D231,788	S *	6/1974	Peterson	.....	D21/340
D245,436	S *	8/1977	Zelenko	.....	D21/340
D250,286	S *	11/1978	Zelenko	.....	D21/340
D261,911	S *	11/1981	Mayuzumi	.....	D21/340
4,311,310	A *	1/1982	Dankman et al.	.....	273/109
D264,098	S *	4/1982	Mayuzumi	.....	D21/340
4,341,385	A *	7/1982	Doyle et al.	.....	463/10
D272,842	S *	2/1984	Matsumoto	.....	D21/478
D297,023	S *	8/1988	Black	.....	D21/340

(Continued)

**OTHER PUBLICATIONS**

Printout from Website, <http://www.magnif.com/1200.htm>, of Money Maze Bank Product #1200, Feb. 12, 2009.

(Continued)

*Primary Examiner* — T. Chase Nelson

(74) *Attorney, Agent, or Firm* — Fay Sharpe LLP

(57)

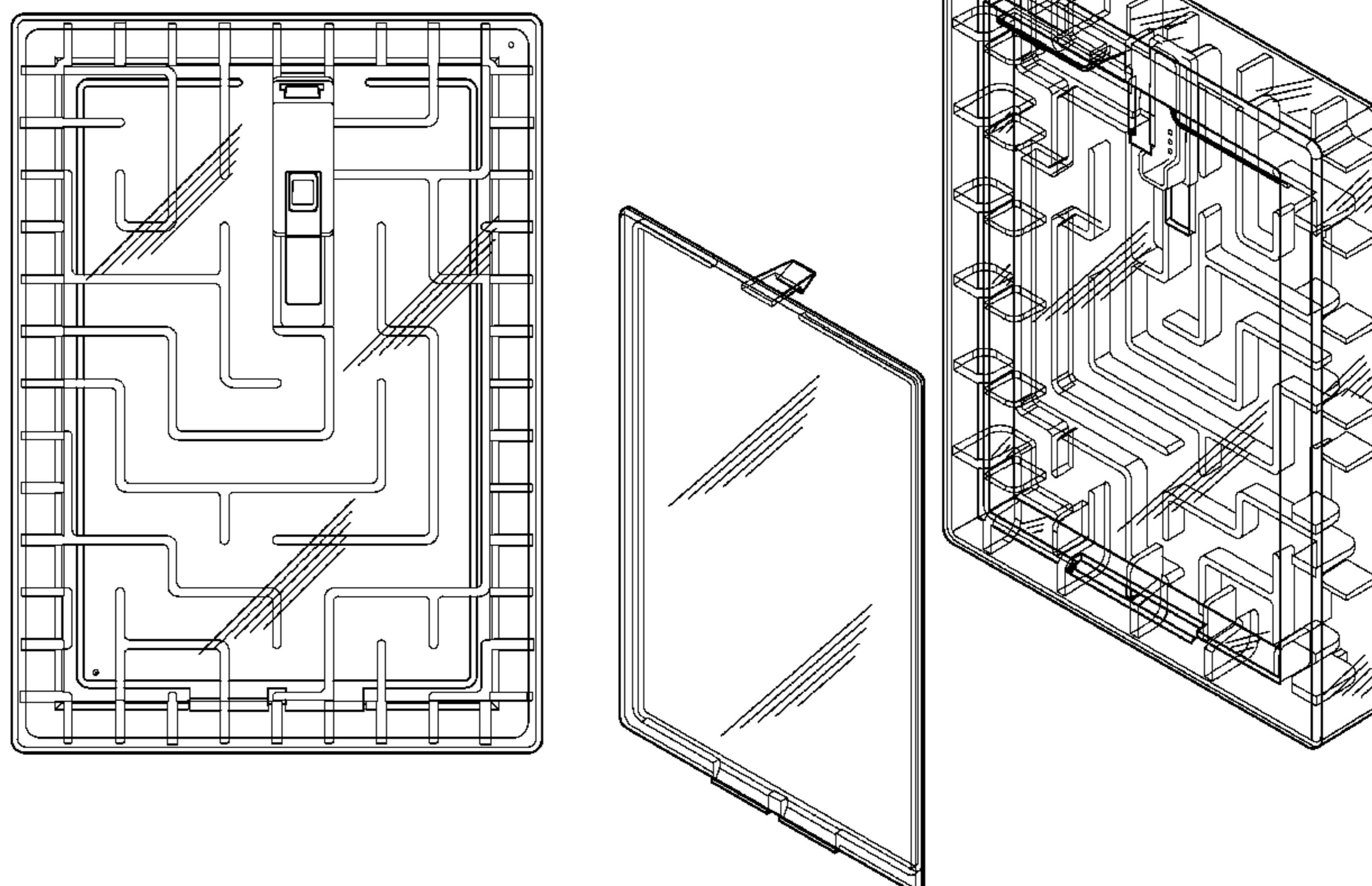
**CLAIM**

I claim the ornamental design for a gift card puzzle box, as shown and described.

**DESCRIPTION**

FIG. 1 is a rear elevational view of a gift card puzzle box showing my new design;  
FIG. 2 is a left side elevational view thereof;  
FIG. 3 is a right side elevational view thereof;  
FIG. 4 is a front elevational view thereof.  
FIG. 5 is a top plan view thereof;  
FIG. 6 is a bottom plan view thereof;  
FIG. 7 is a bottom perspective view thereof; and,  
FIG. 8 is a front perspective view thereof with a cover exploded away from the remainder of the gift card puzzle box.

**1 Claim, 5 Drawing Sheets**



# US D652,447 S

Page 2

## U.S. PATENT DOCUMENTS

D314,403 S \* 2/1991 Fain, Sr. .... D21/340  
5,145,174 A \* 9/1992 Caramanoff ..... 273/109  
D345,383 S \* 3/1994 Lehoux ..... D21/340  
5,310,184 A 5/1994 Grist  
5,314,181 A \* 5/1994 Lin ..... 273/109  
D367,502 S \* 2/1996 Armendariz et al. .... D21/478  
D374,036 S \* 9/1996 Lin ..... D19/1  
5,575,094 A \* 11/1996 Leake et al. .... 40/124.09  
D379,381 S \* 5/1997 Hermes ..... D21/478  
5,664,779 A 9/1997 Soovajian, Jr.  
D395,468 S \* 6/1998 Wagner ..... D21/478  
5,769,418 A 6/1998 Gilbert et al.  
D400,600 S \* 11/1998 Ackerman et al. .... D21/478  
6,095,927 A \* 8/2000 Malone ..... 472/62  
6,675,538 B2 \* 1/2004 Candio ..... 52/65  
6,688,935 B1 \* 2/2004 Lin ..... 273/153 R

D531,417 S \* 11/2006 Saenz et al. .... D6/308  
7,264,155 B2 9/2007 Halbur et al.  
D609,089 S \* 2/2010 Knox, Jr. .... D9/432  
D613,330 S \* 4/2010 Ho et al. .... D18/6  
7,870,686 B2 \* 1/2011 Hines ..... 40/453  
D632,330 S \* 2/2011 Qiao et al. .... D19/1  
D634,781 S \* 3/2011 Hertrich, Jr. .... D19/26  
D637,651 S \* 5/2011 Hase et al. .... D20/42  
2007/0004492 A1 \* 1/2007 Salmento ..... 463/15  
2011/0018197 A1 \* 1/2011 Black ..... 273/153 S

## OTHER PUBLICATIONS

Printout from Website, <http://www.magnif.com/1280.htm>, of Movie Maze Gift Holder Product #1280, Feb. 12, 2009.

\* cited by examiner

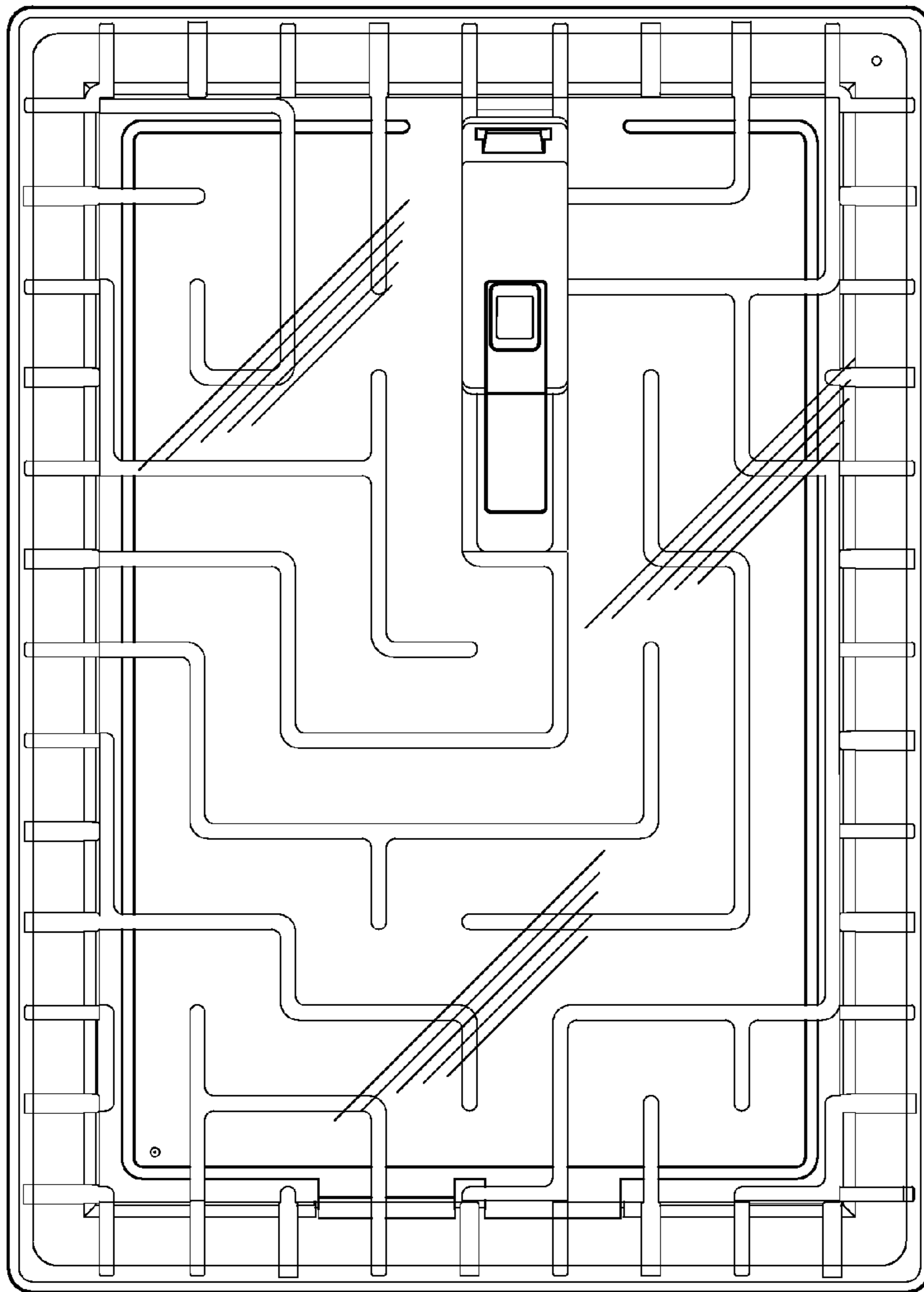


FIG. 1

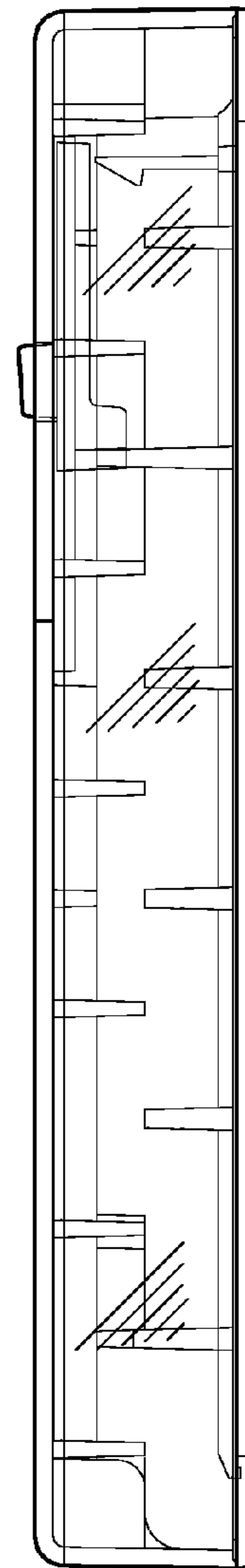


FIG. 2

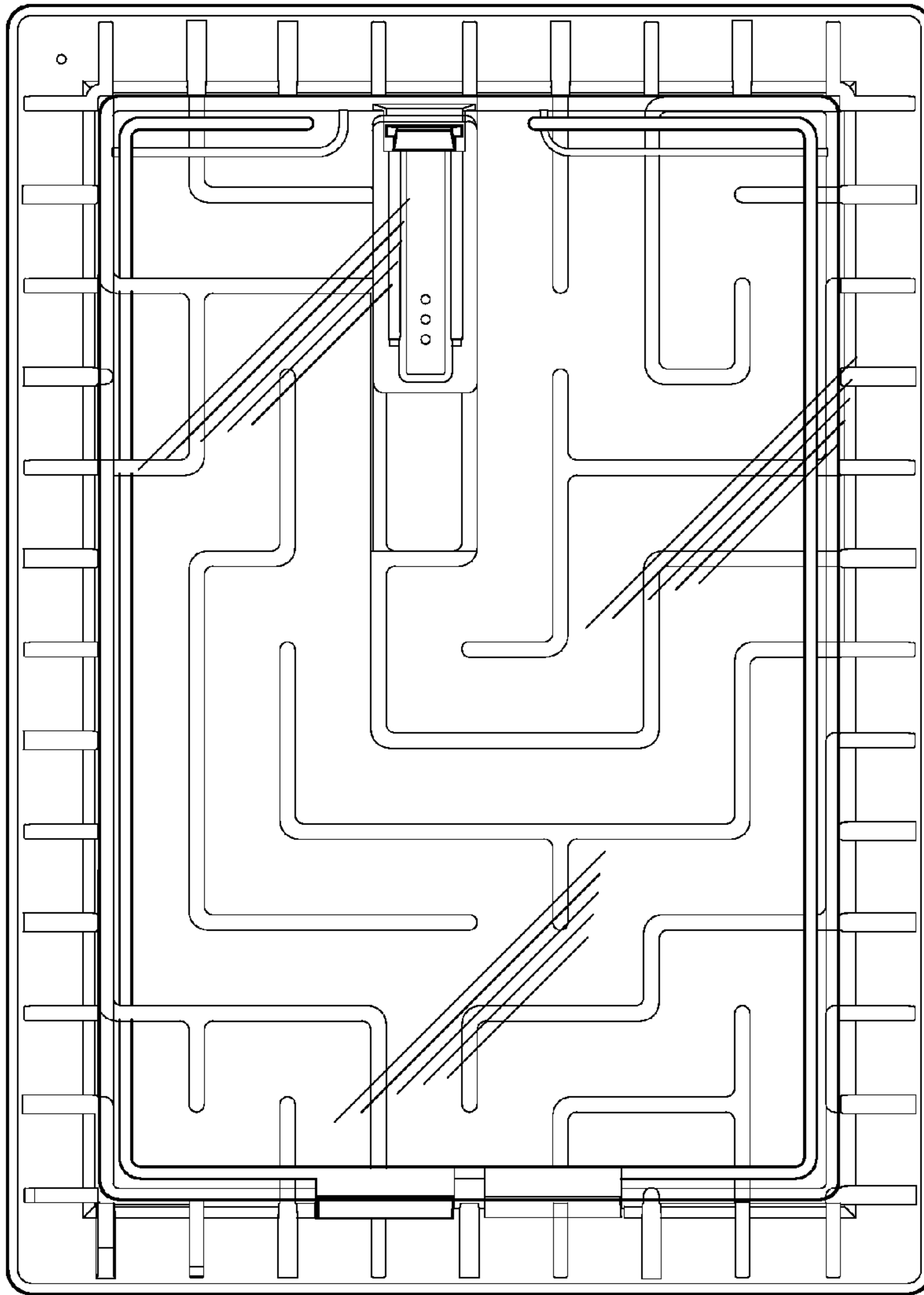


FIG. 4

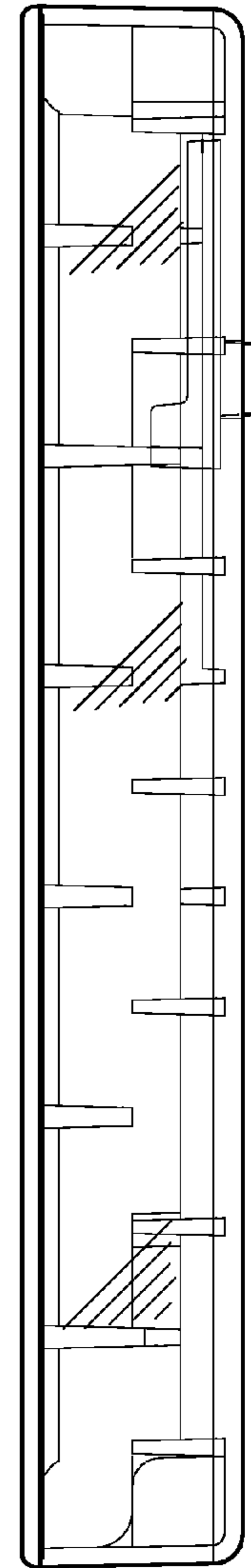


FIG. 3

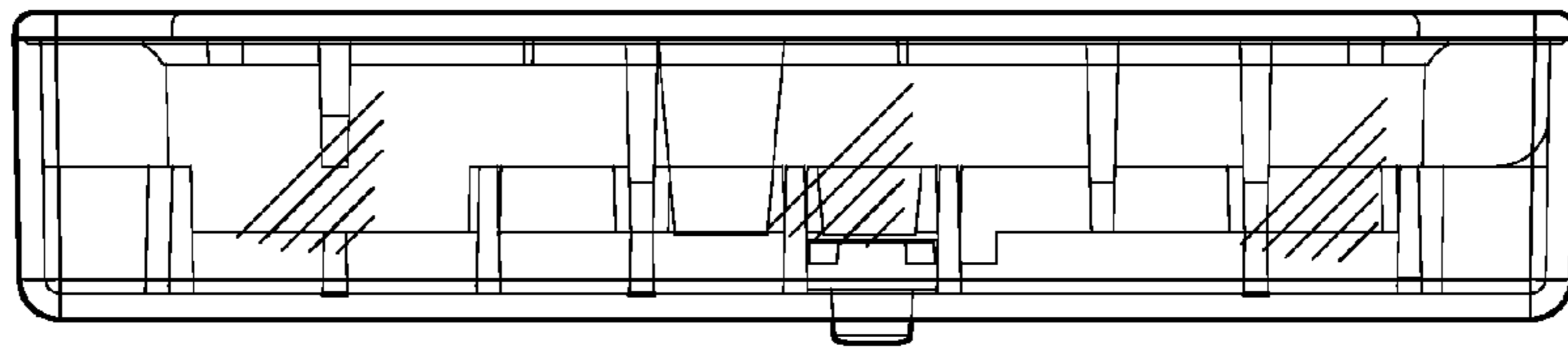


FIG. 5

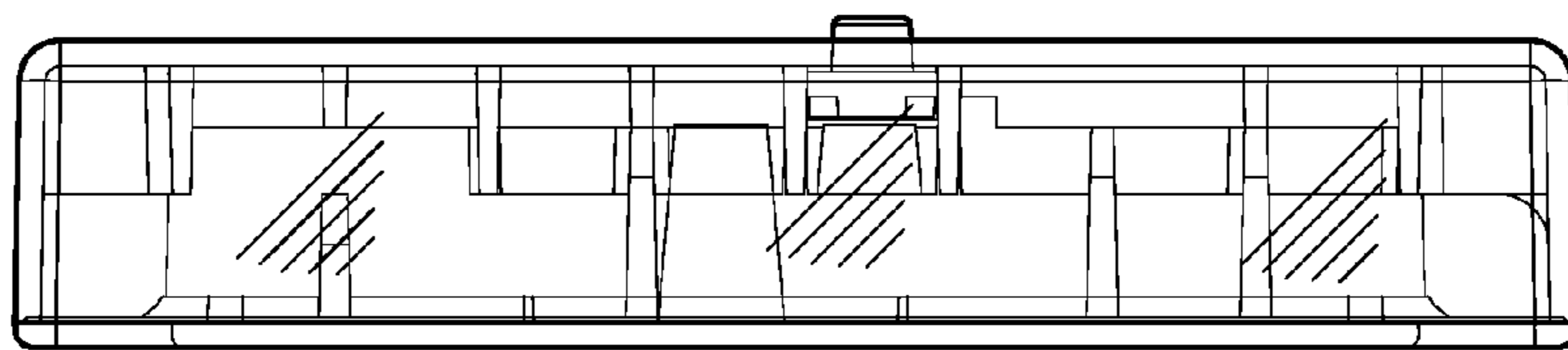


FIG. 6

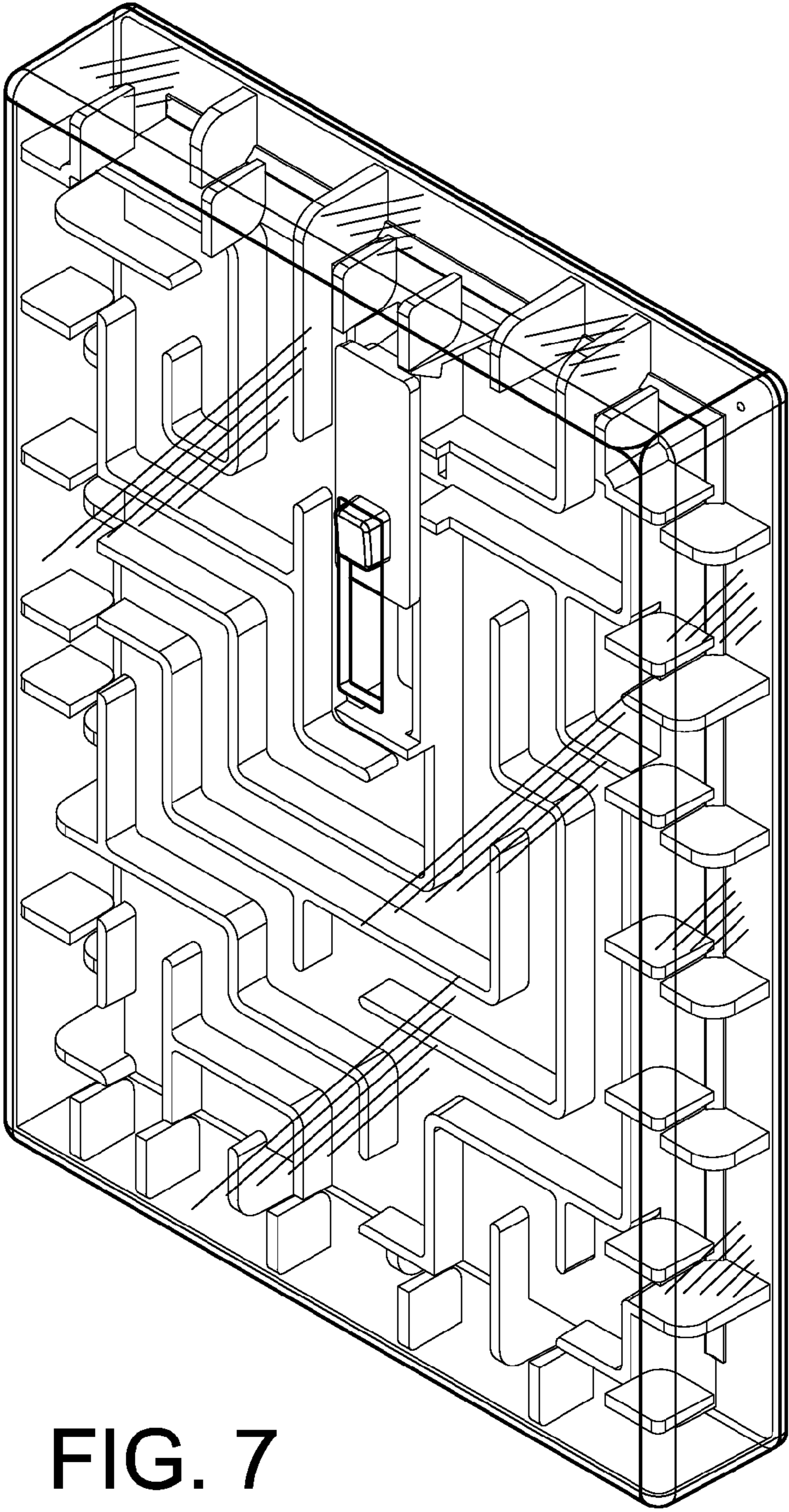


FIG. 7

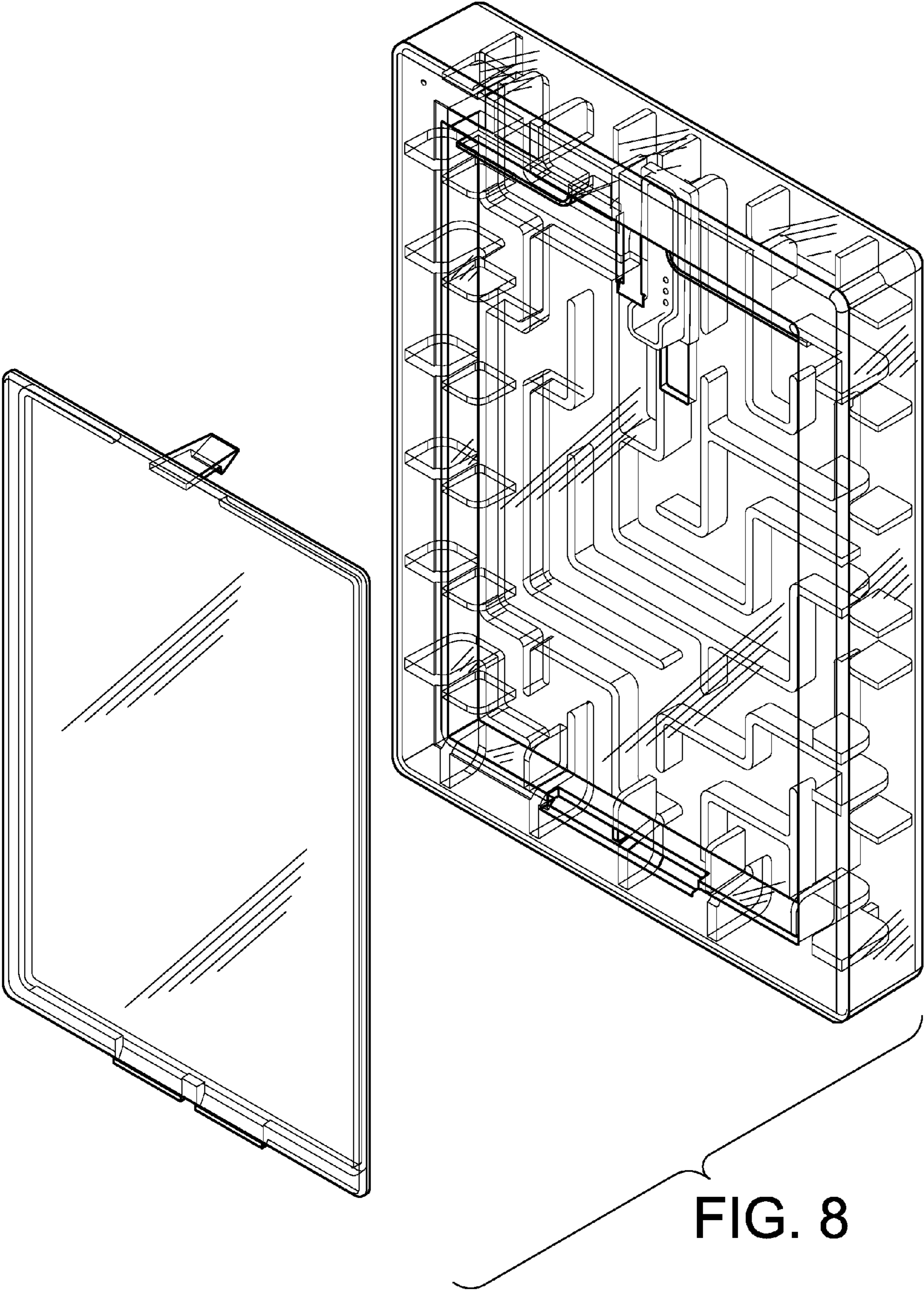


FIG. 8