



US00D652445S

(12) **United States Design Patent**
Burton et al.

(10) **Patent No.:** **US D652,445 S**
(45) **Date of Patent:** **** Jan. 17, 2012**

(54) **COMBINATION PRINT AND CUT APPARATUS**

(75) Inventors: **Jared Burton**, Payson, UT (US); **James T. Davis, II**, Springville, UT (US); **Jeremy Burton Crystal**, Springville, UT (US)

(73) Assignee: **Provo Craft and Novelty, Inc.**, South Jordan, UT (US)

(**) Term: **14 Years**

(21) Appl. No.: **29/366,618**

(22) Filed: **Jul. 27, 2010**

(51) **LOC (9) Cl.** **14-02**

(52) **U.S. Cl.** **D18/50**

(58) **Field of Classification Search** D18/19, D18/34.1, 34.3, 36-37, 50, 54, 54.1, 55; D14/420-425, 434, 463-470; 400/613, 613.1-613.4, 400/690, 690.1-690.4, 691-694; 83/167, 83/203, 284, 289, 301-302

See application file for complete search history.

(56) **References Cited**

U.S. PATENT DOCUMENTS

D299,346 S *	1/1989	Lehman et al.	D18/54
6,969,169 B2 *	11/2005	Tanaami et al.	400/691
D530,739 S *	10/2006	Tsai	D18/55
D533,897 S *	12/2006	Workman et al.	D18/34.3
D534,204 S *	12/2006	Workman et al.	D18/34.3
D537,111 S *	2/2007	Whittall et al.	D18/50
D545,354 S *	6/2007	Whittall et al.	D18/50
7,230,822 B2 *	6/2007	Langberg et al.	400/692

D563,413 S *	3/2008	Kuroda et al.	D14/422
2008/0050163 A1 *	2/2008	Malone et al.	400/323
2010/0119282 A1 *	5/2010	Olsen et al.	400/621

* cited by examiner

Primary Examiner — Cathy A MacCormac

(74) *Attorney, Agent, or Firm* — Honigman Miller Schwartz and Cohn LLP

(57) **CLAIM**

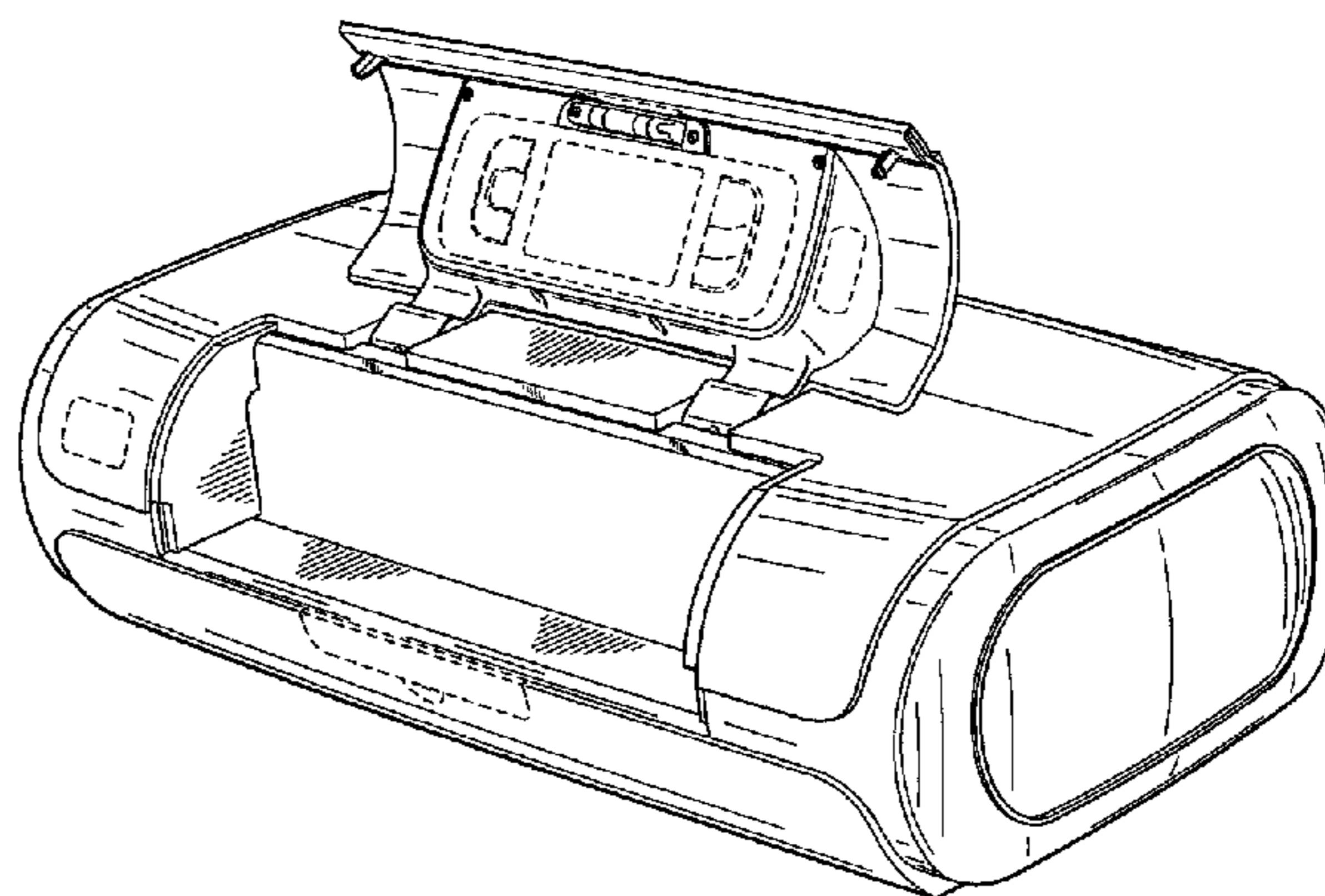
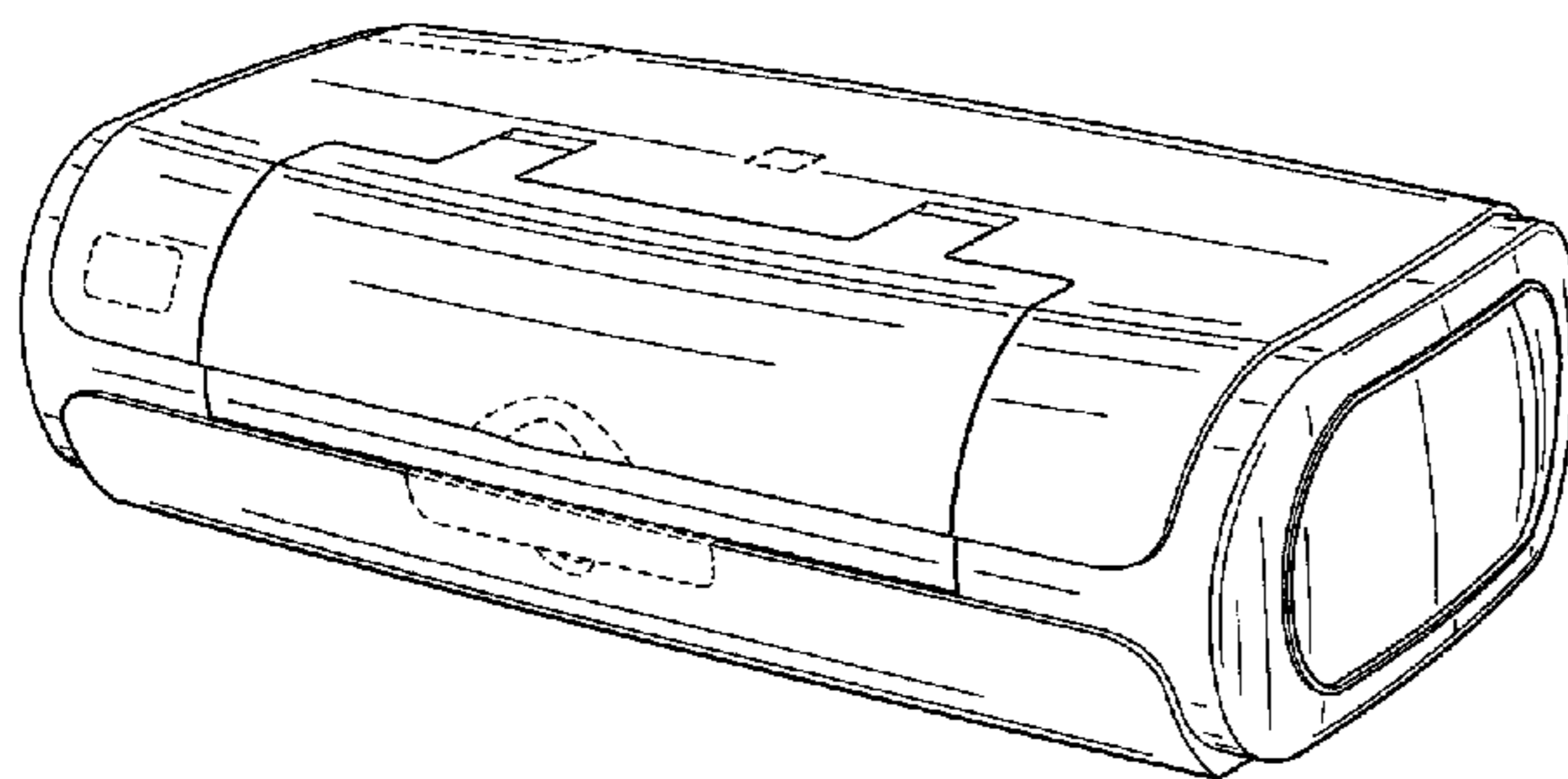
The ornamental design for combination print and cut apparatus, as shown and described.

DESCRIPTION

FIG. 1 is a front, right side isometric view of a combination print and cut apparatus of the present invention; FIG. 2 is a front elevational view thereof; FIG. 3 is a rear elevational view thereof; FIG. 4 is a right side elevational view thereof; FIG. 5 is a left side elevational view thereof; FIG. 6 is a top view thereof; FIG. 7 is a bottom view thereof; FIG. 8 is another front, right side isometric view thereof showing the door in an alternate position; FIG. 9 is a front elevational view of FIG. 8; FIG. 10 is a rear view of FIG. 8; FIG. 11 is a right side elevational view of FIG. 8; the left side elevational view is a mirror image of the right side; FIG. 12 is a top view of FIG. 8; and, FIG. 13 is a bottom view of FIG. 8.

The broken lines are for illustration only and form no part of the claimed design.

1 Claim, 13 Drawing Sheets



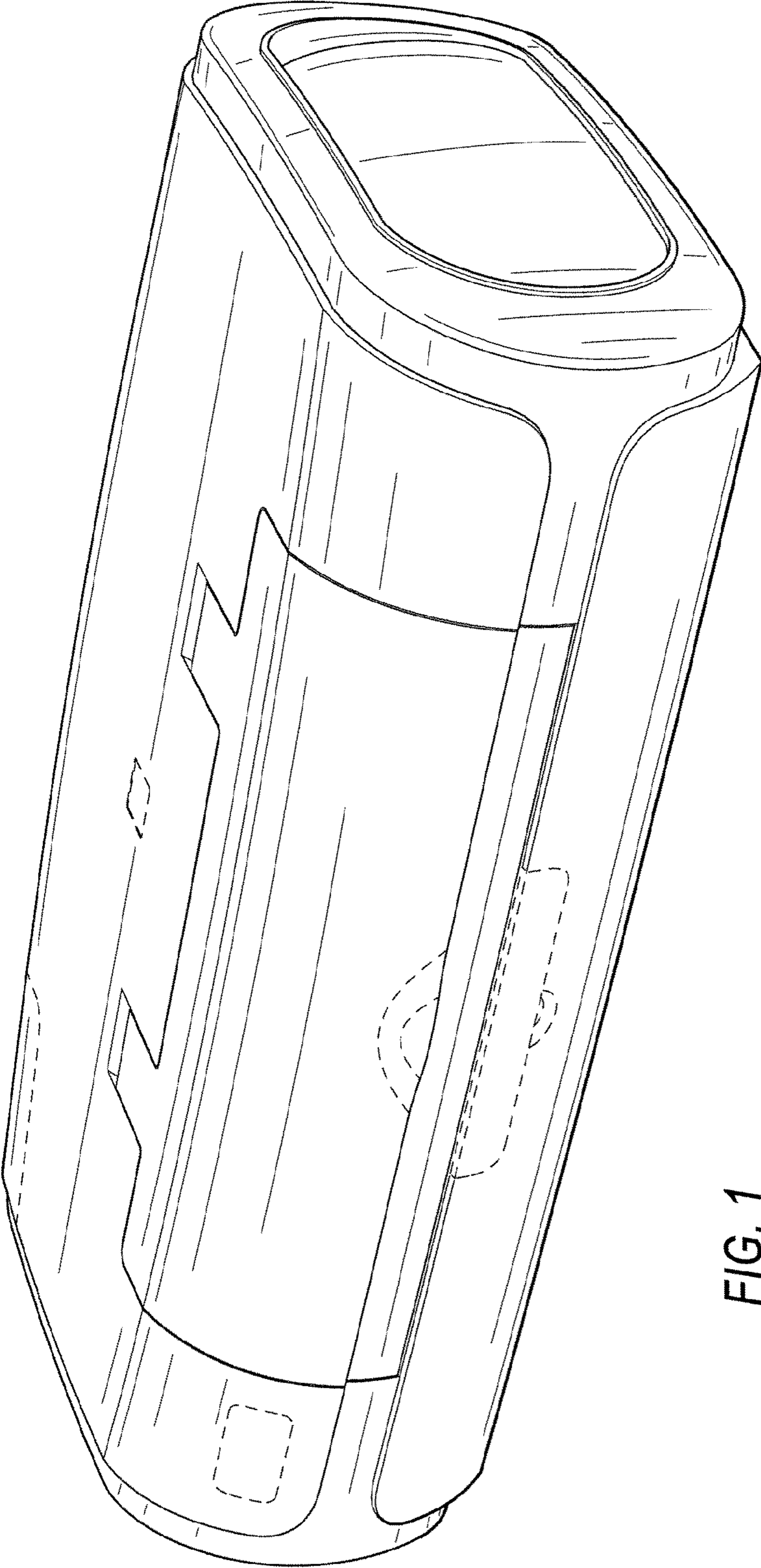


FIG. 1

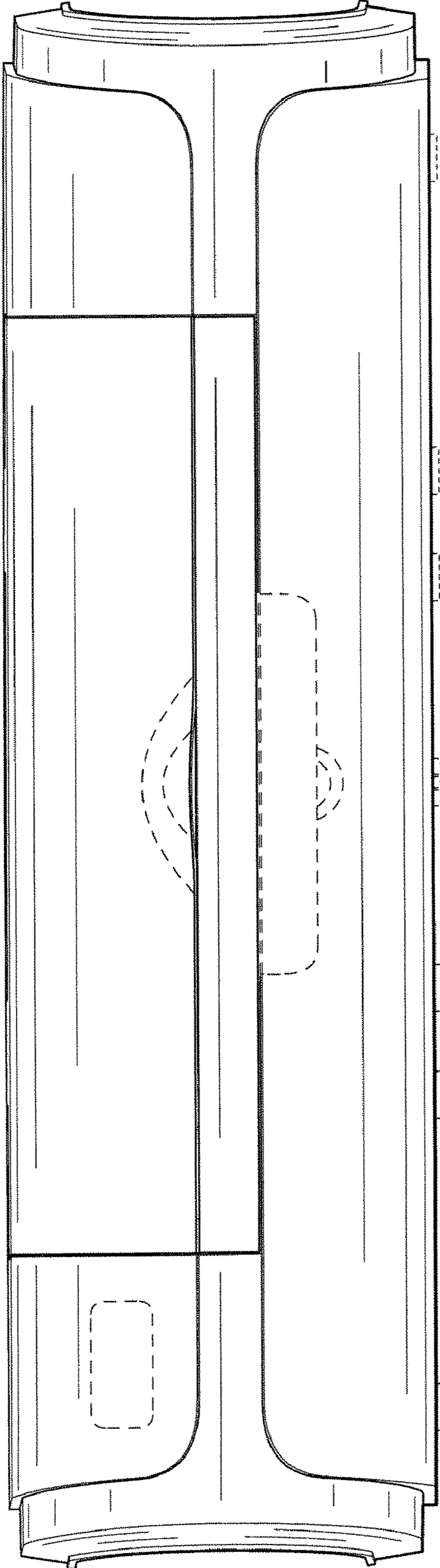


FIG. 2

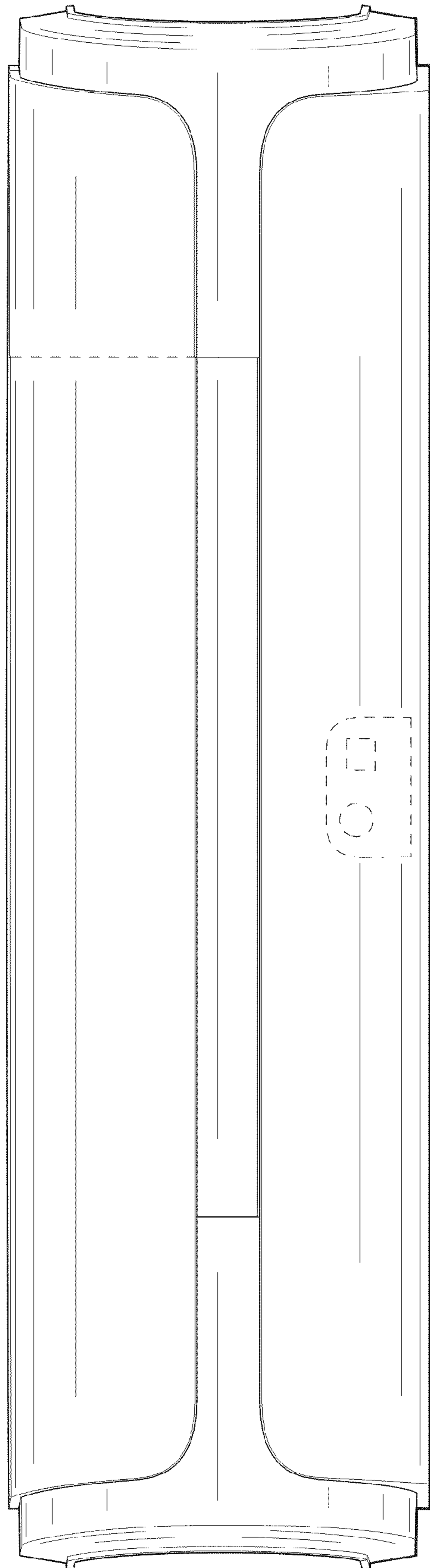


FIG. 3

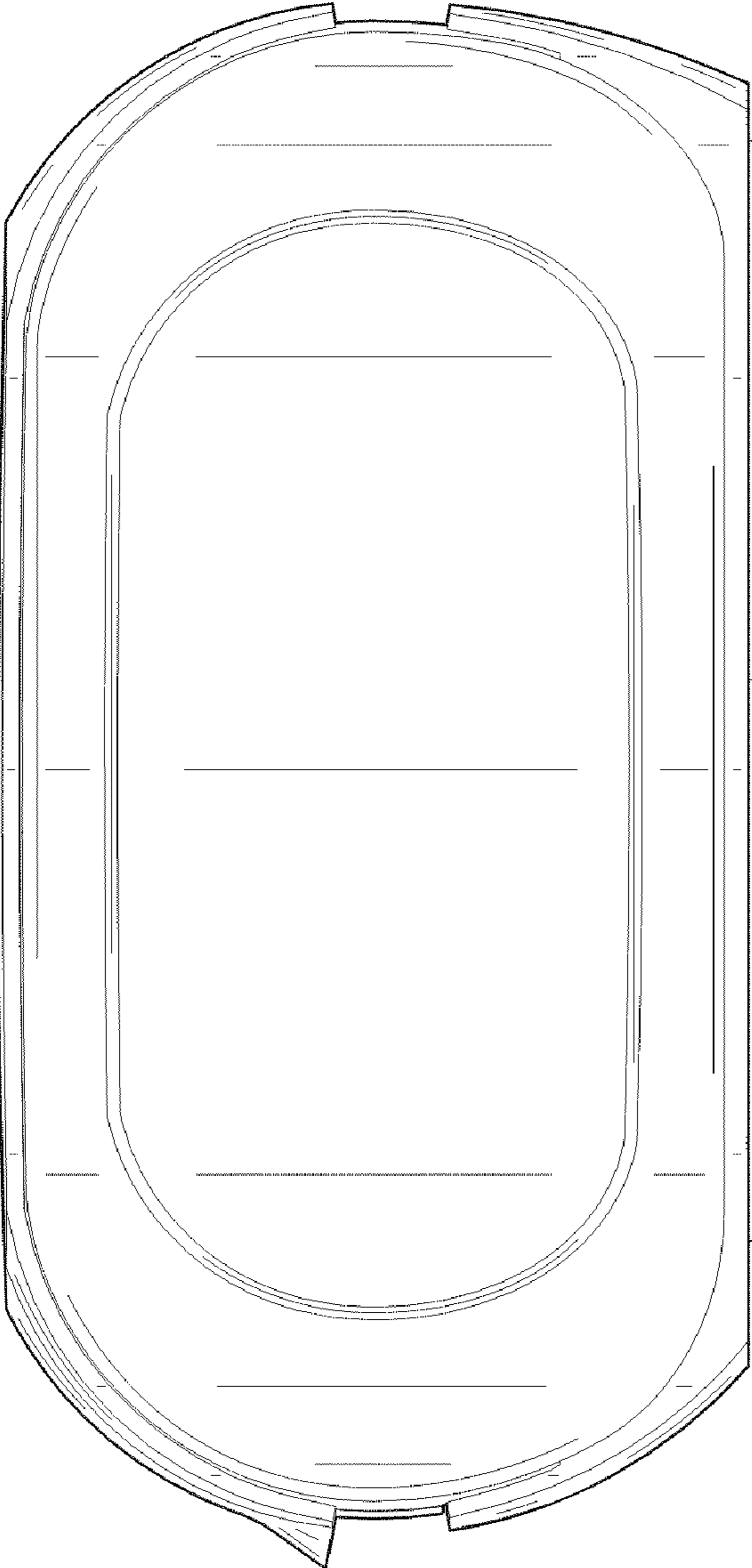


FIG. 4

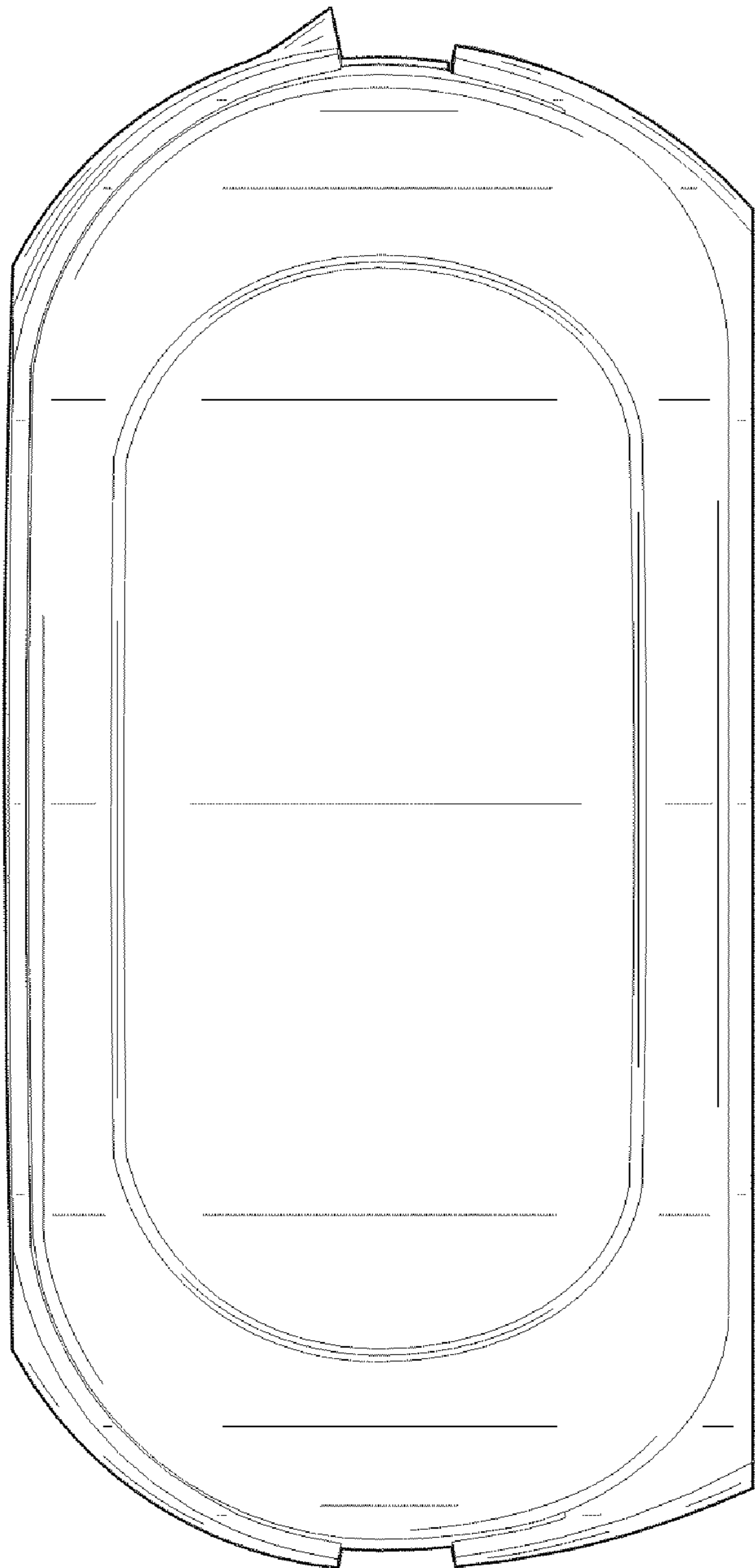


FIG. 5

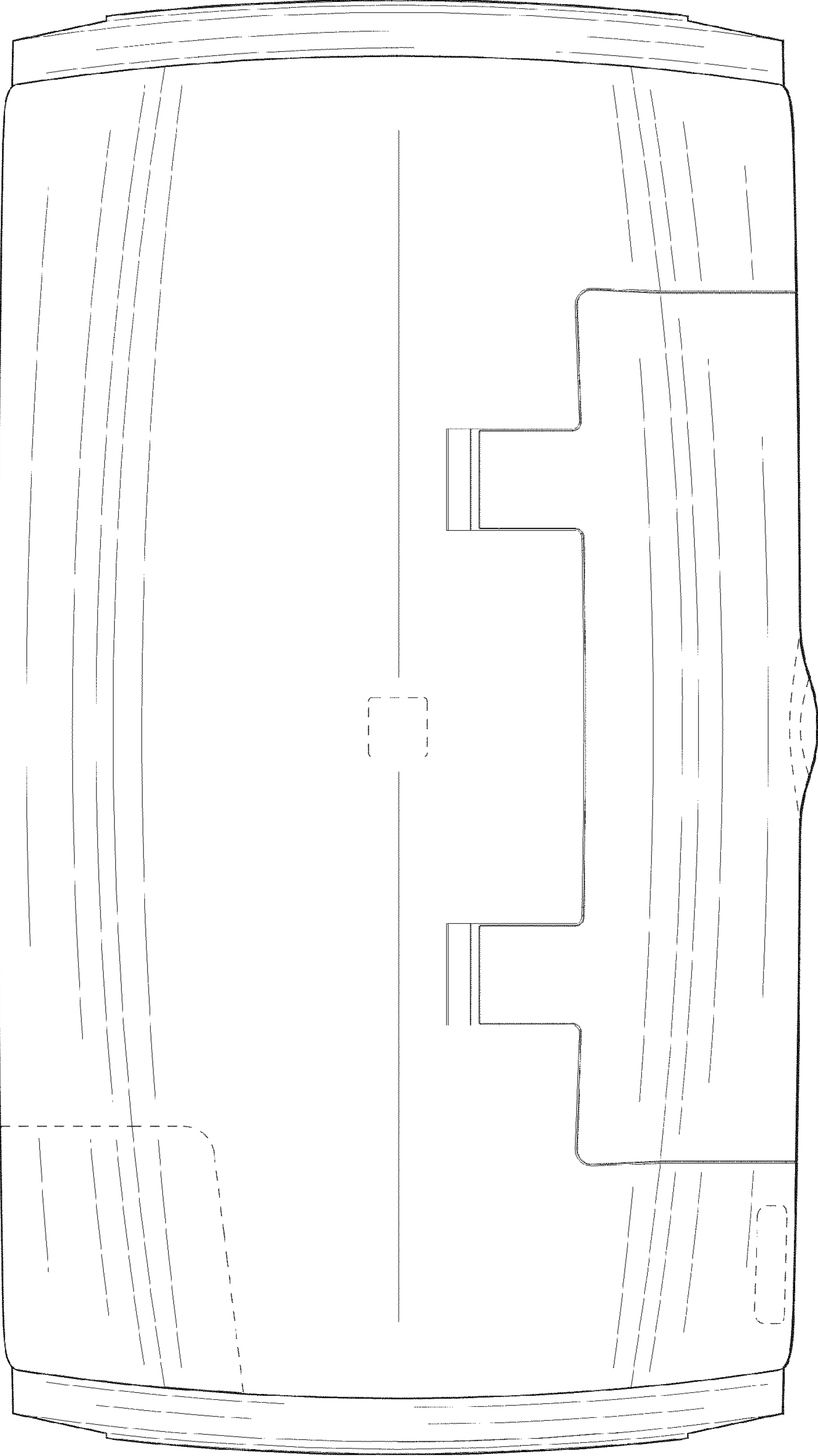


FIG. 6

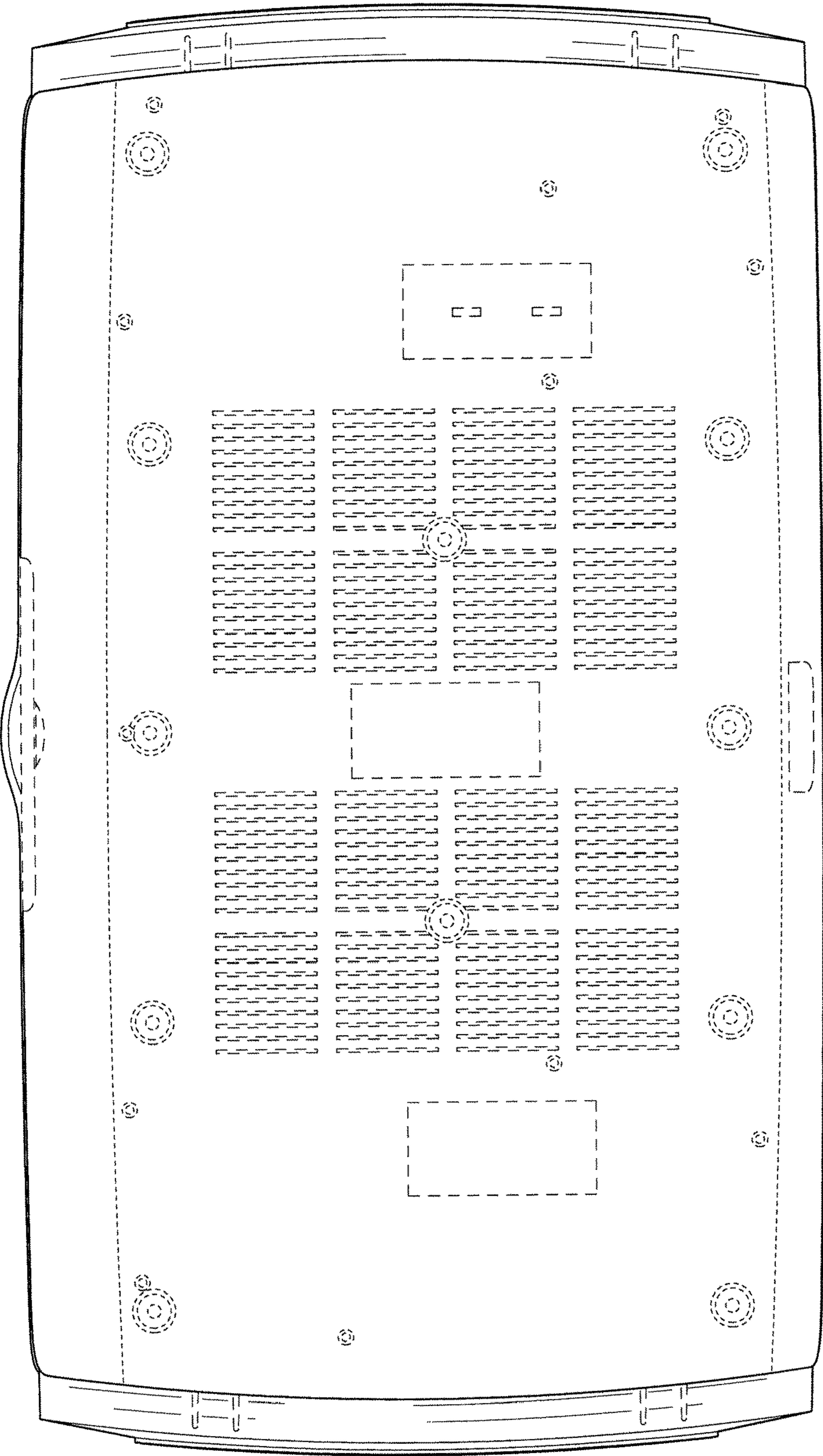


FIG. 7

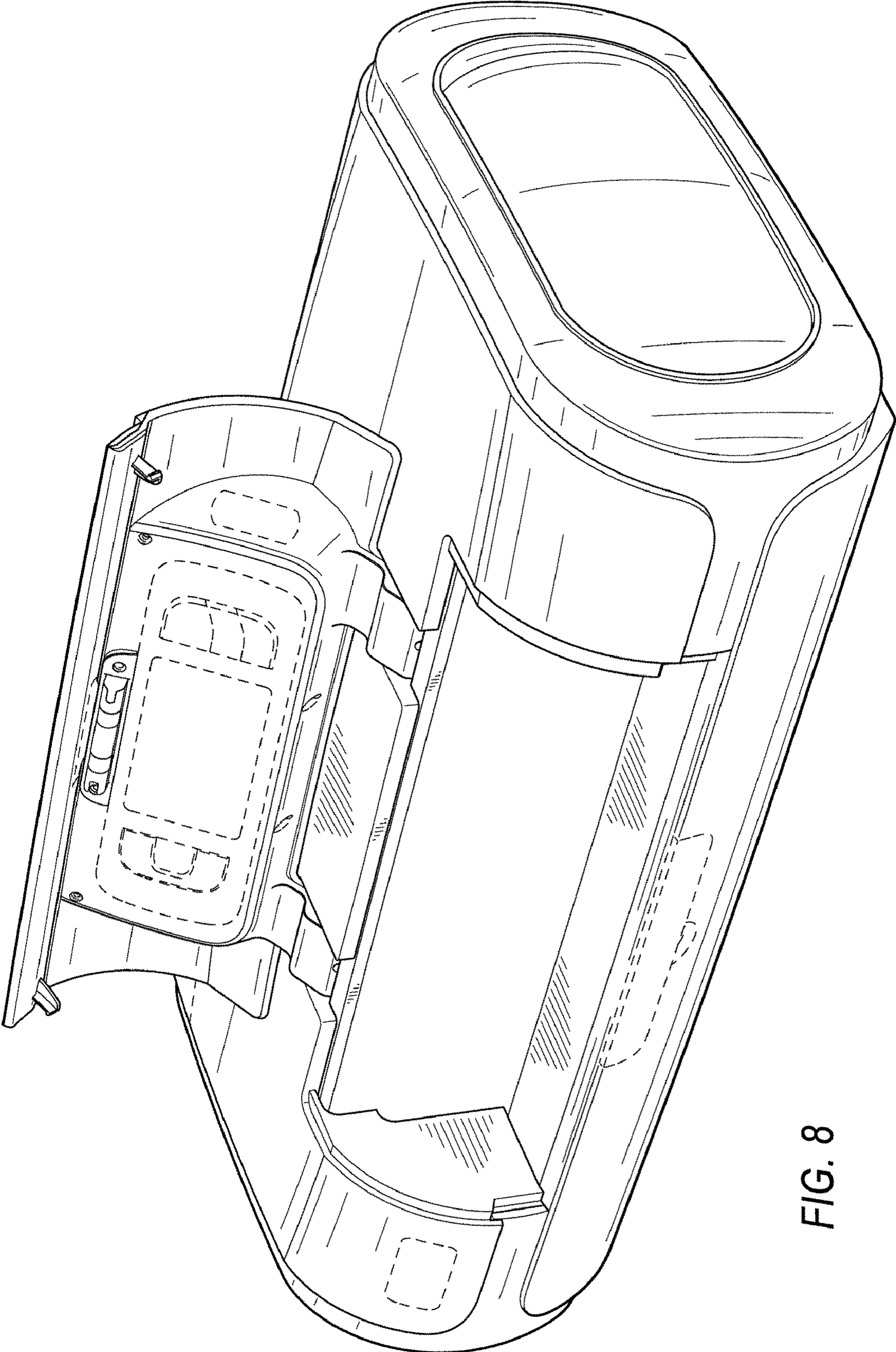


FIG. 8

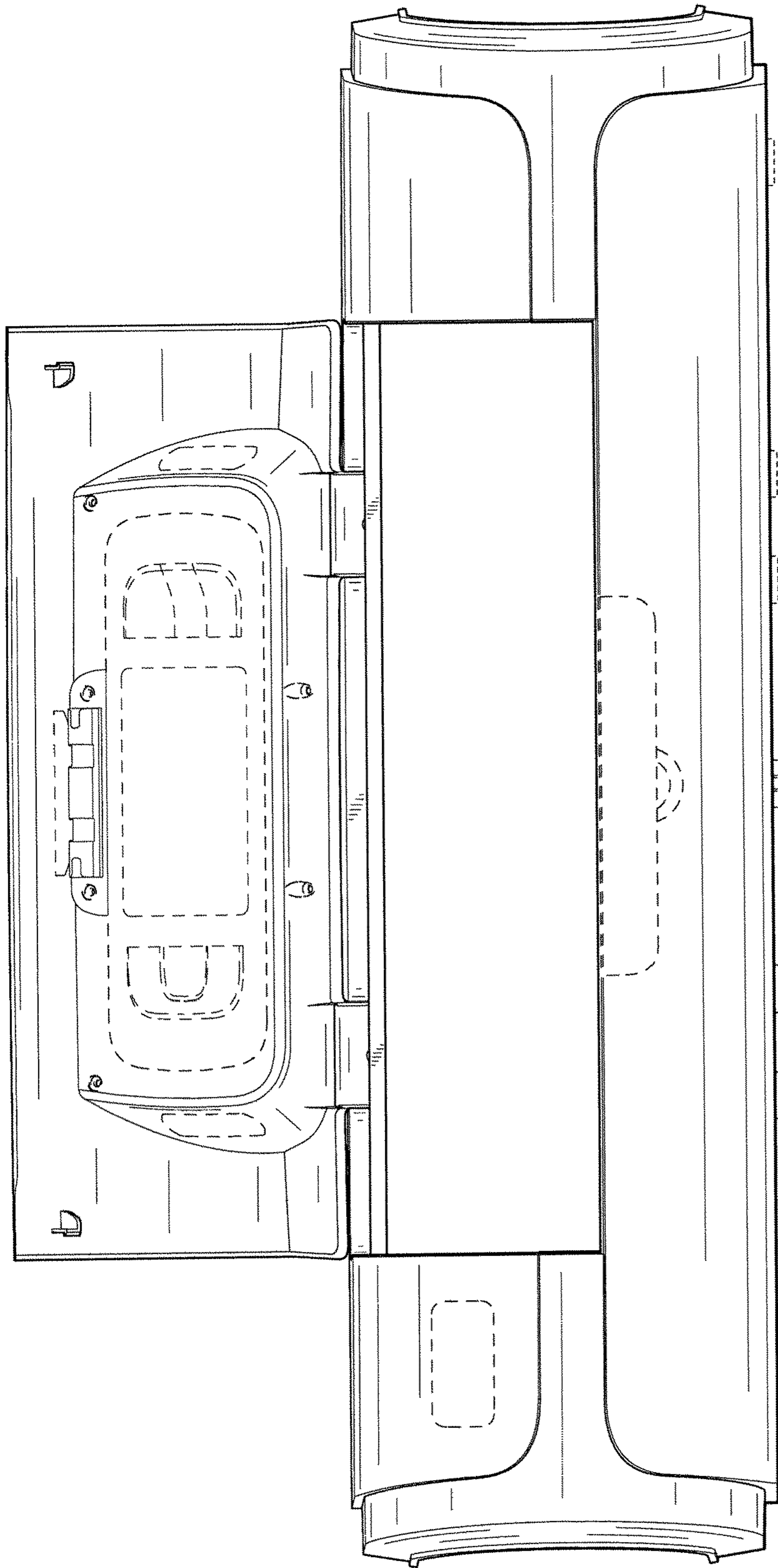


FIG. 9

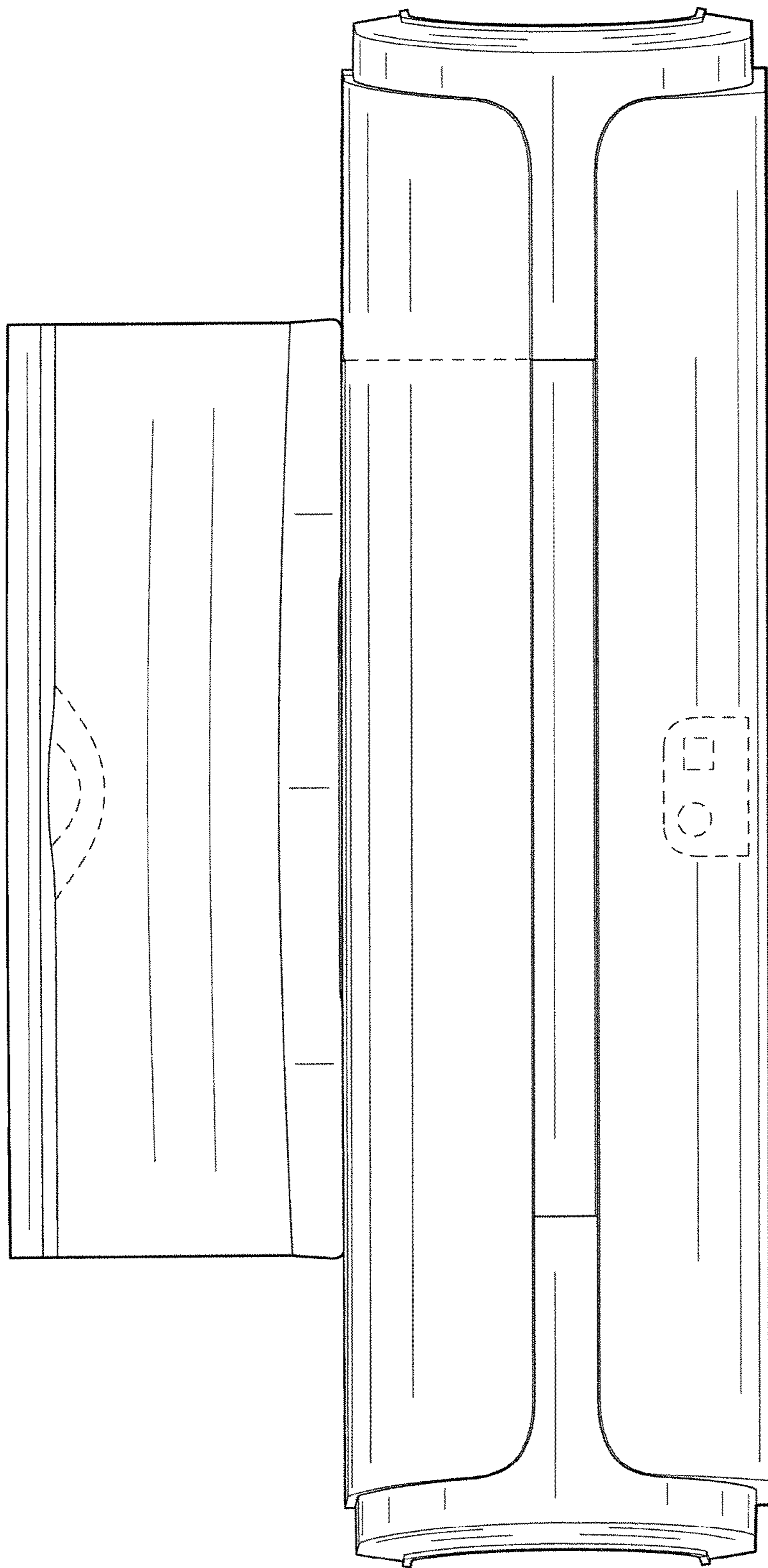


FIG. 10

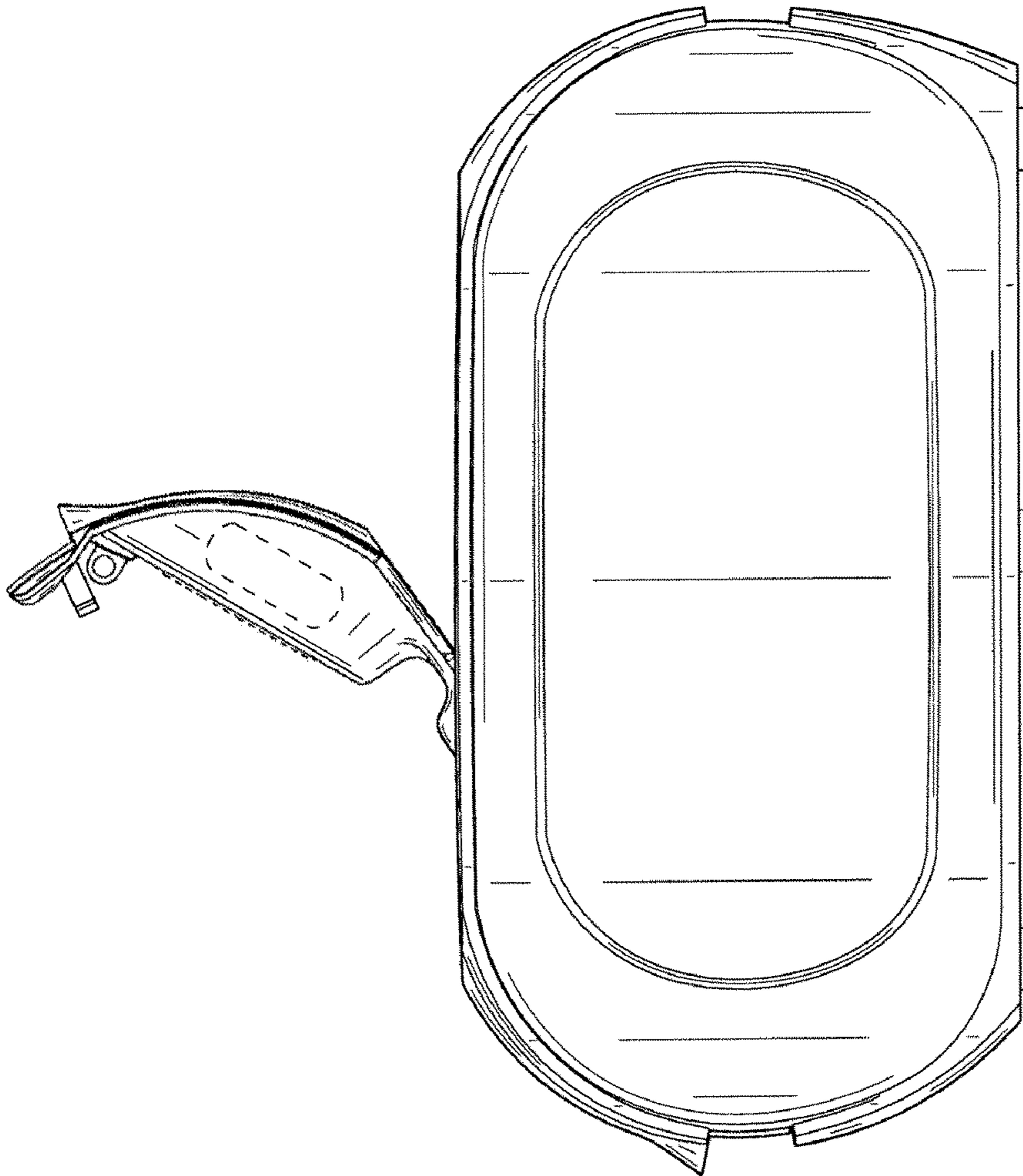


FIG. 11

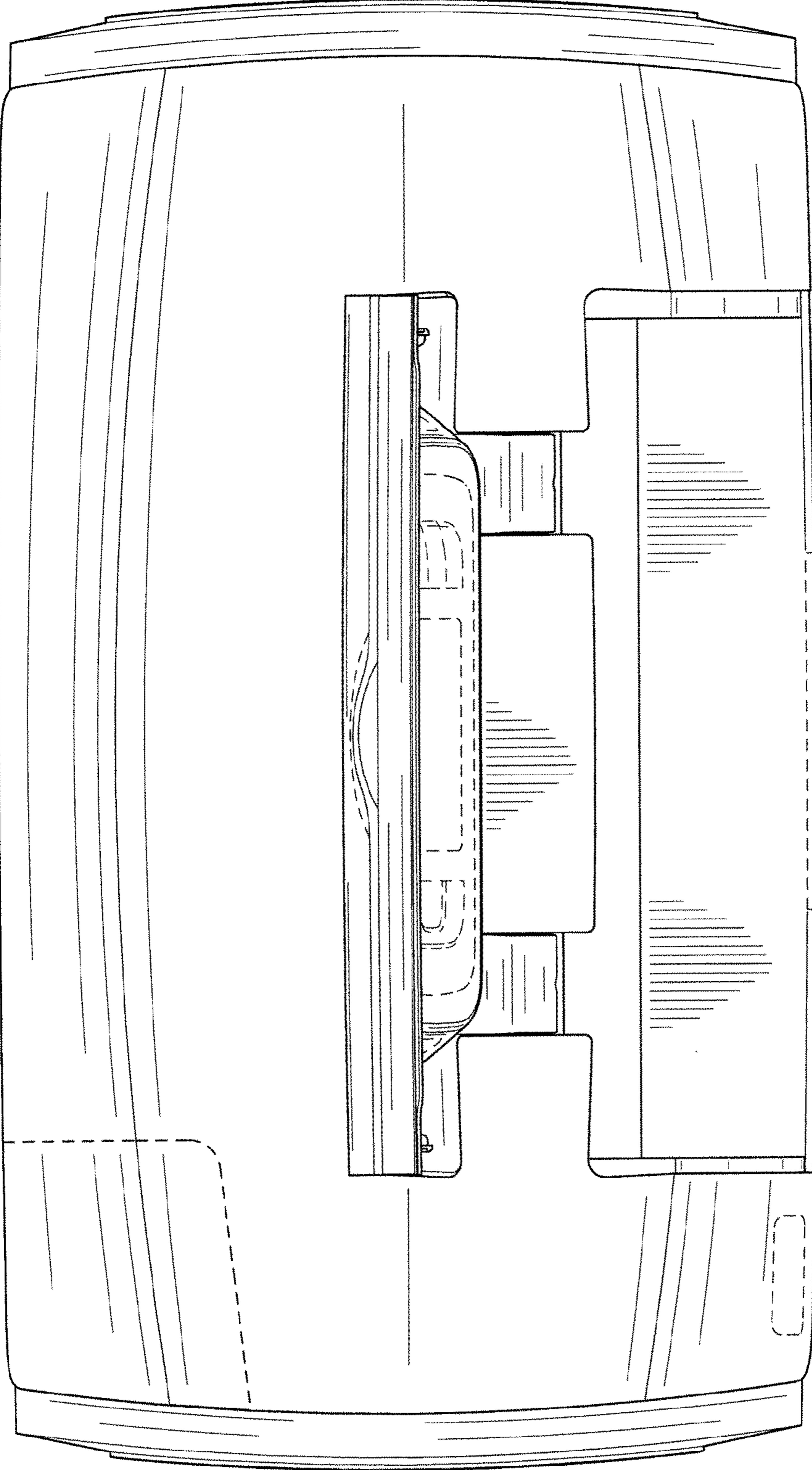


FIG. 12

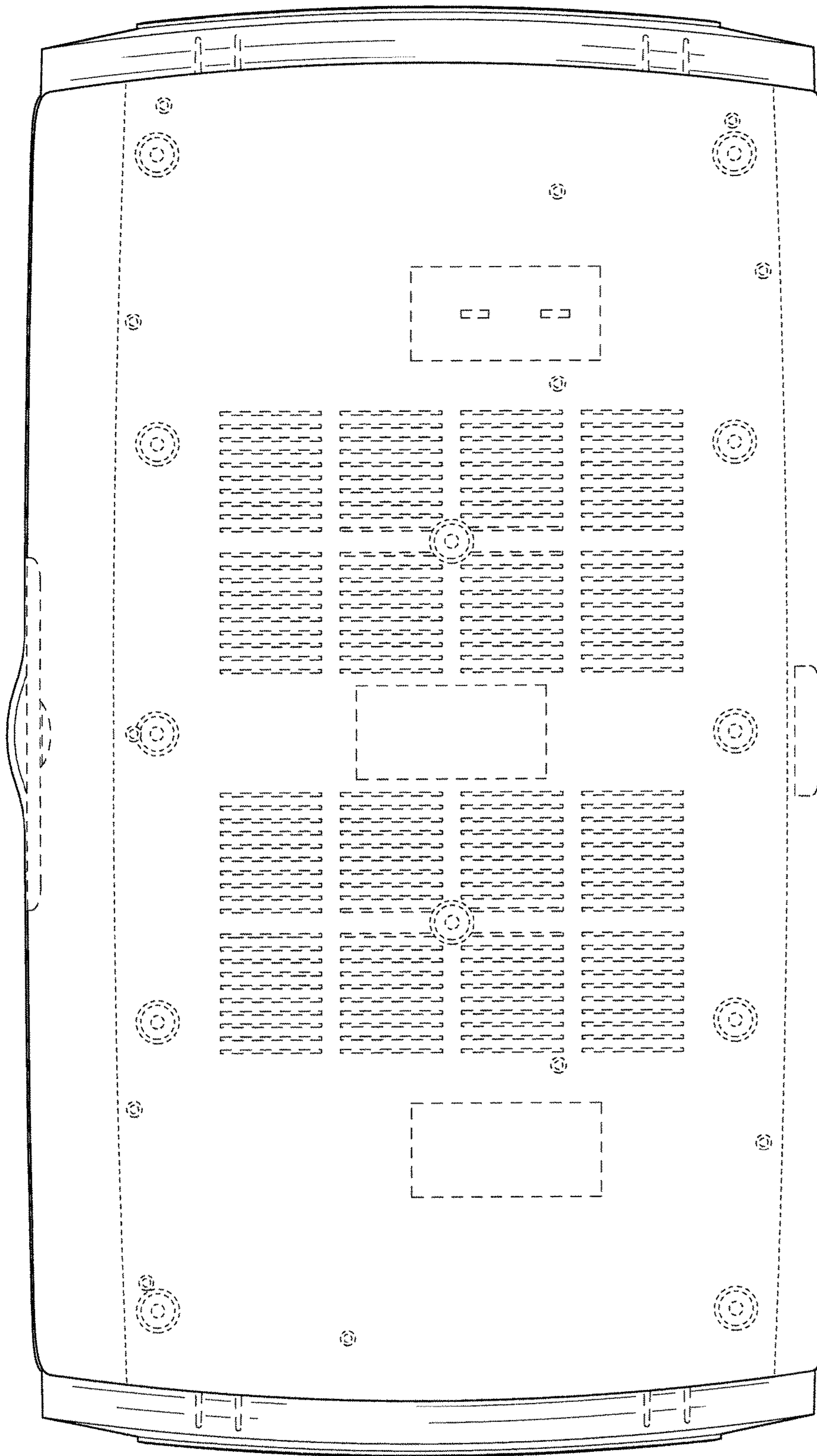


FIG. 13