



US00D652441S

(12) **United States Design Patent**
Jonsson

(10) **Patent No.:** **US D652,441 S**
(45) **Date of Patent:** **** Jan. 17, 2012**

(54) **CAMERA HOLDER**

(76) Inventor: **Thor Jonsson**, Stockholm (SE)

(**) Term: **14 Years**

(21) Appl. No.: **29/383,535**

(22) Filed: **Jan. 19, 2011**

(30) **Foreign Application Priority Data**

Jul. 21, 2010 (EM) 001734229-0001

(51) **LOC (9) Cl.** **16-05**

(52) **U.S. Cl.** **D16/237; D3/267**

(58) **Field of Classification Search** D3/218,
D3/219, 267; D16/219, 237; 206/316.1,
206/316.2; 224/257, 908; 248/176.1, 187.1;
396/428

See application file for complete search history.

(56) **References Cited**

U.S. PATENT DOCUMENTS

2,732,876 A * 1/1956 Hepting 206/316.2
3,912,137 A * 10/1975 Tomatsuri 206/316.2

5,375,749 A * 12/1994 Oliva 224/908
D354,620 S * 1/1995 King et al. D3/218
D413,435 S * 9/1999 Chapman et al. D16/237
D543,699 S * 6/2007 Kuroda D3/267
7,503,709 B2 * 3/2009 Liang 396/428
2008/0142651 A1 * 6/2008 Tomasini et al. 248/176.1

* cited by examiner

Primary Examiner — Adir Aronovich

(74) *Attorney, Agent, or Firm* — Ladas & Parry LLP

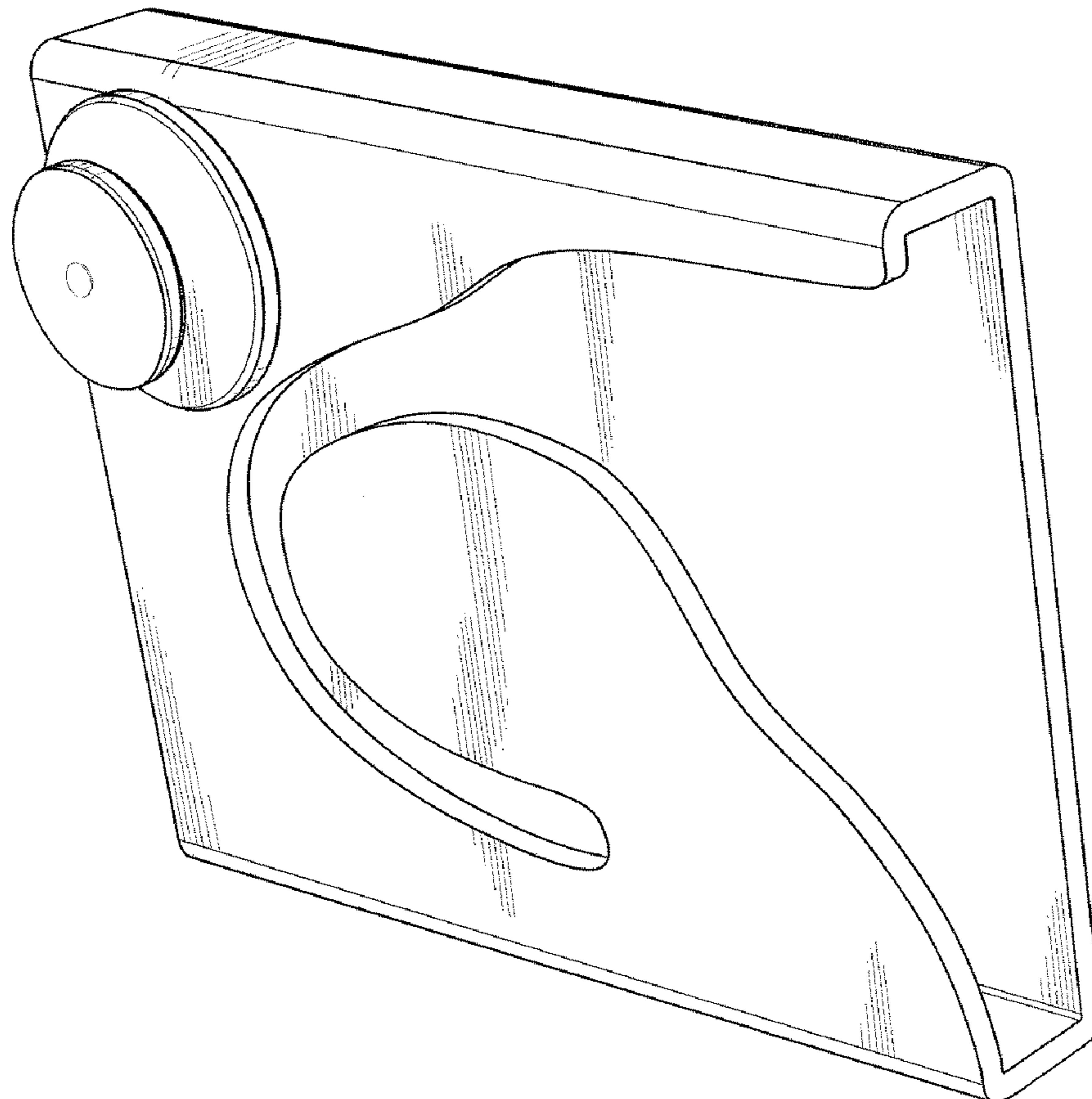
(57) **CLAIM**

The ornamental design for a camera holder, as shown and described.

DESCRIPTION

FIG. 1 is a front and right side perspective view of a camera holder showing my new design;
FIG. 2 is a top plan view thereof;
FIG. 3 is a front elevational view thereof;
FIG. 4 is a bottom plan view thereof;
FIG. 5 is a rear elevational view thereof;
FIG. 6 is a right side elevational view thereof; and,
FIG. 7 is a left side elevational view thereof.

1 Claim, 3 Drawing Sheets



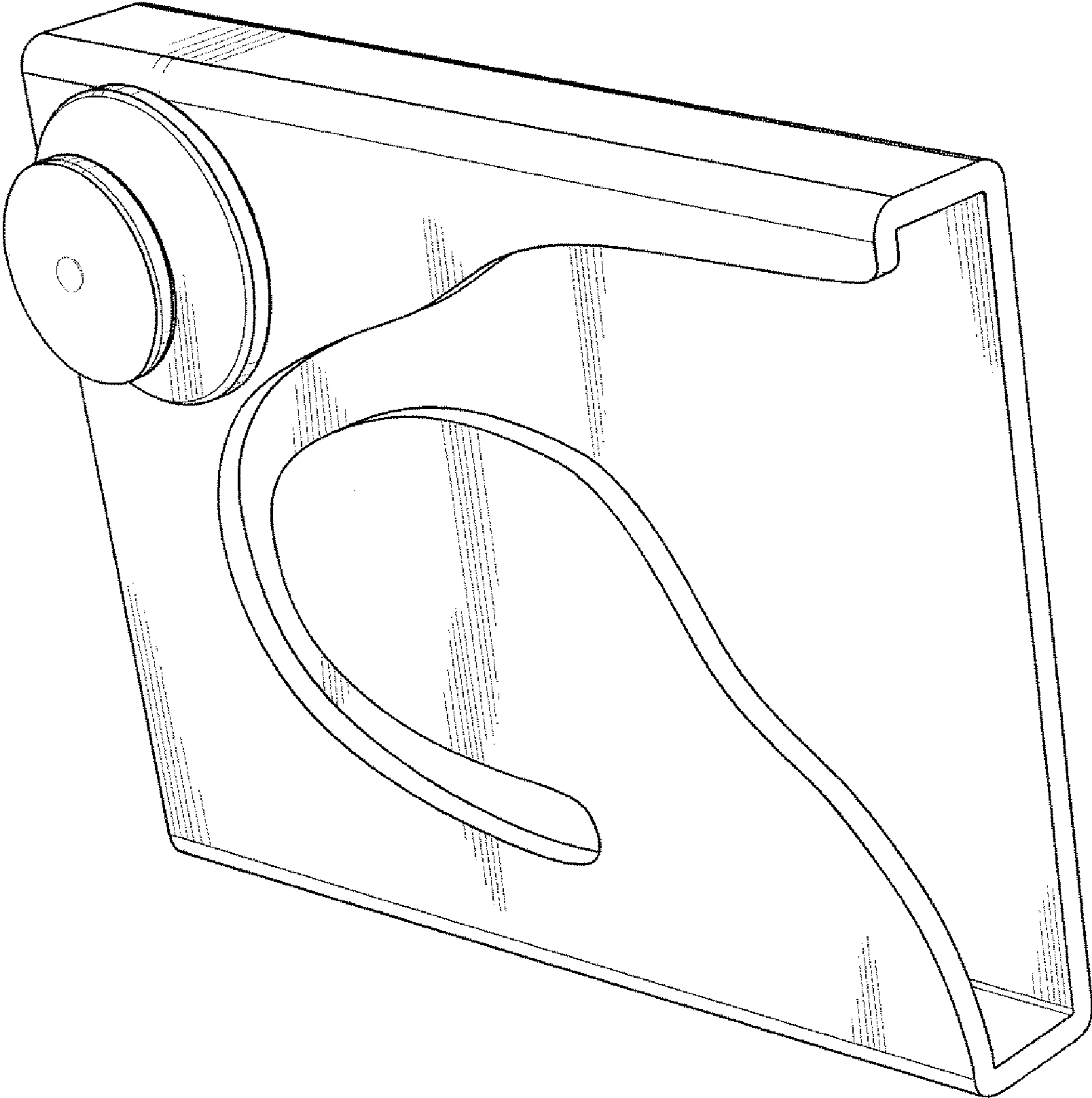


Figure 1

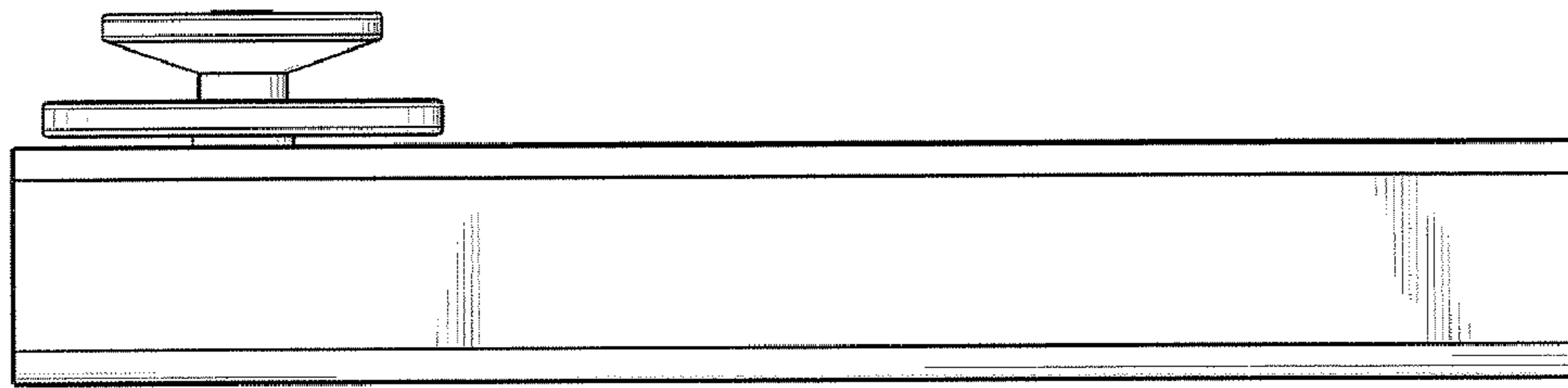


Figure 2

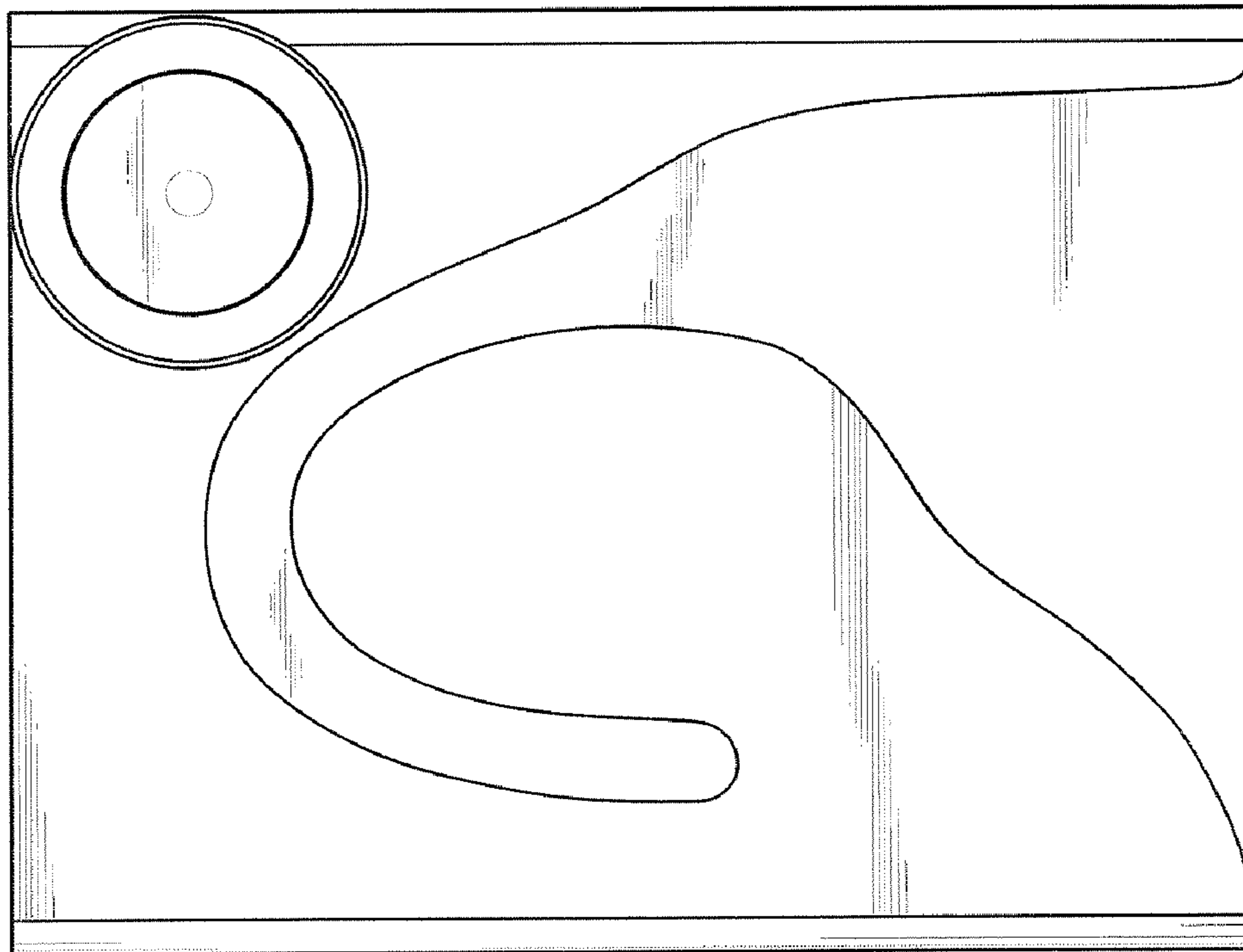


Figure 3

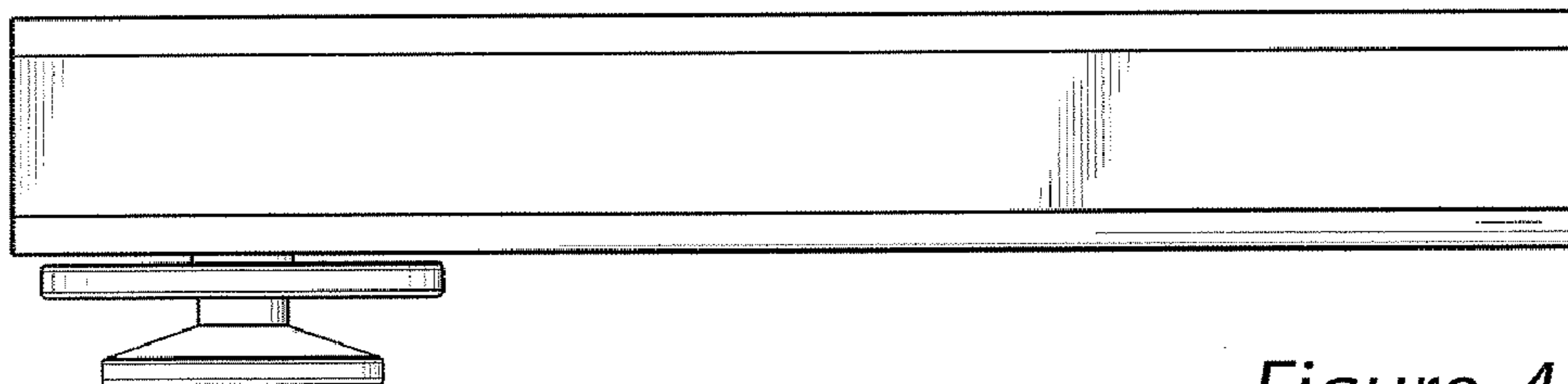


Figure 4

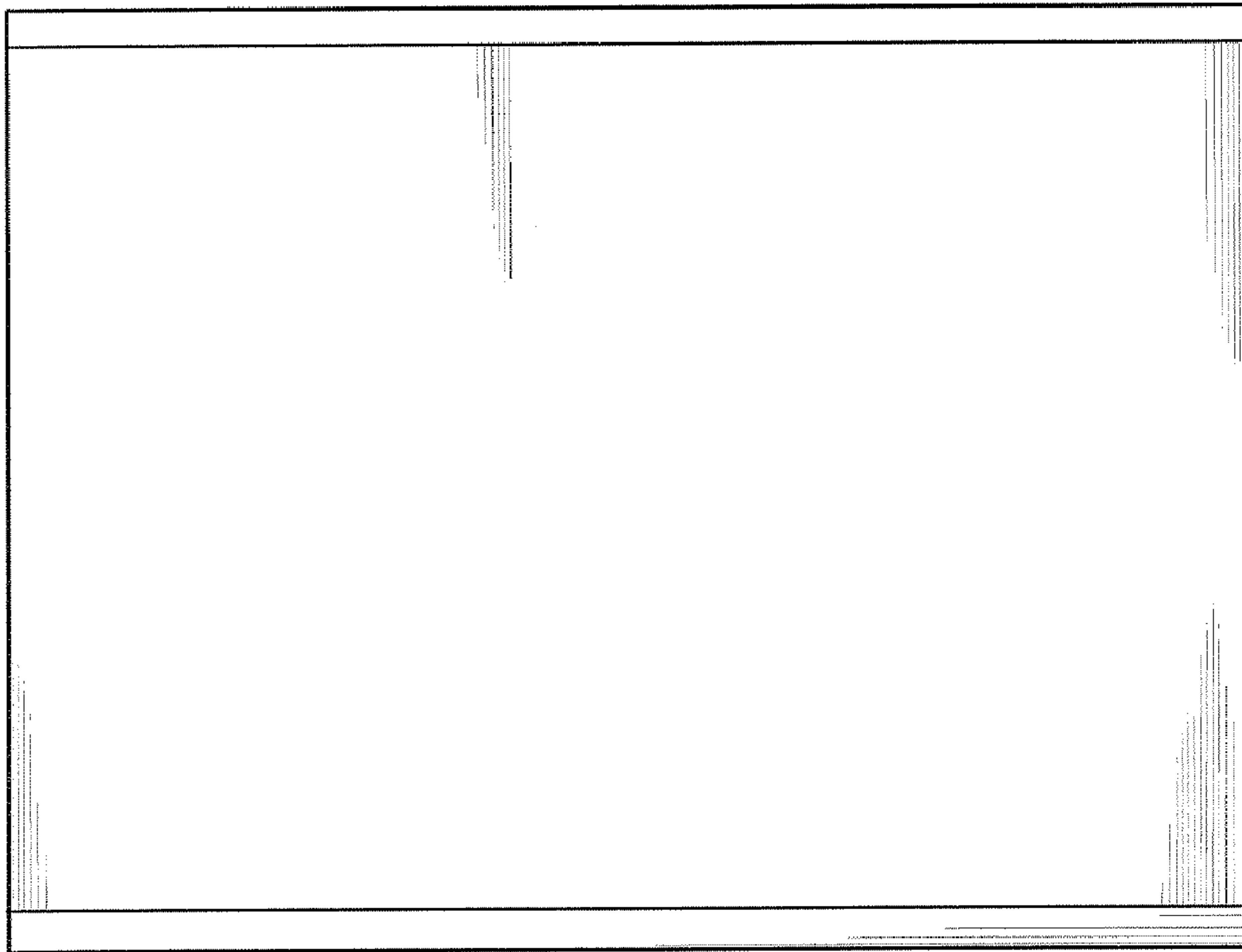


Figure 5

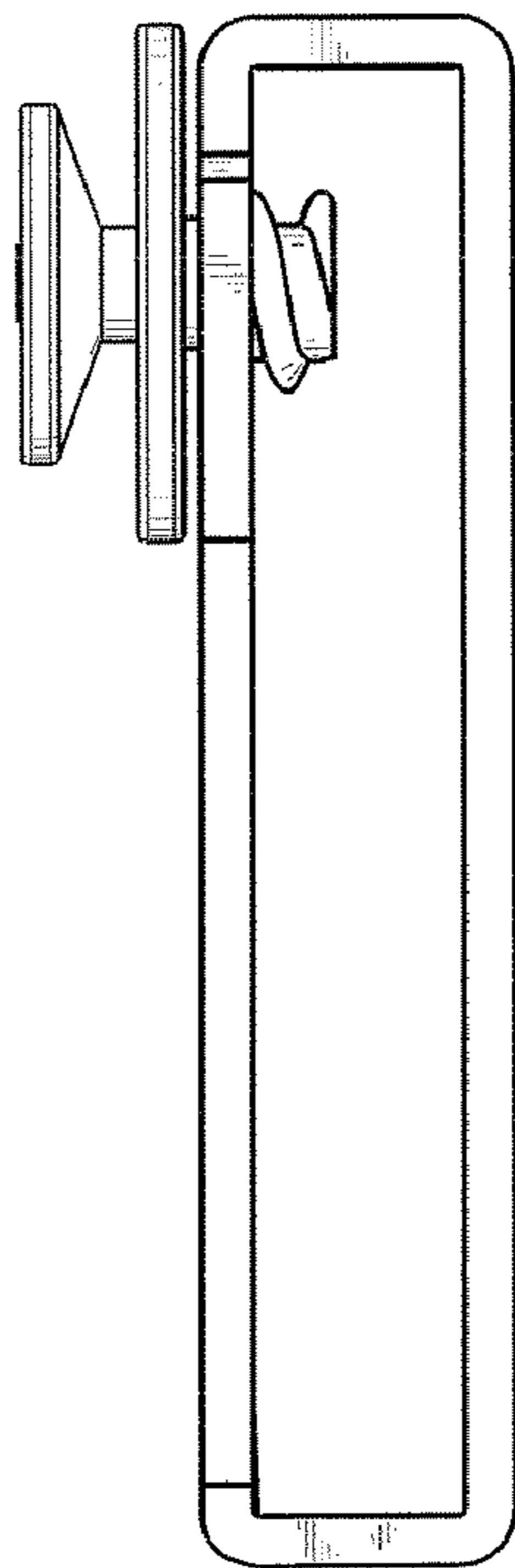


Figure 6

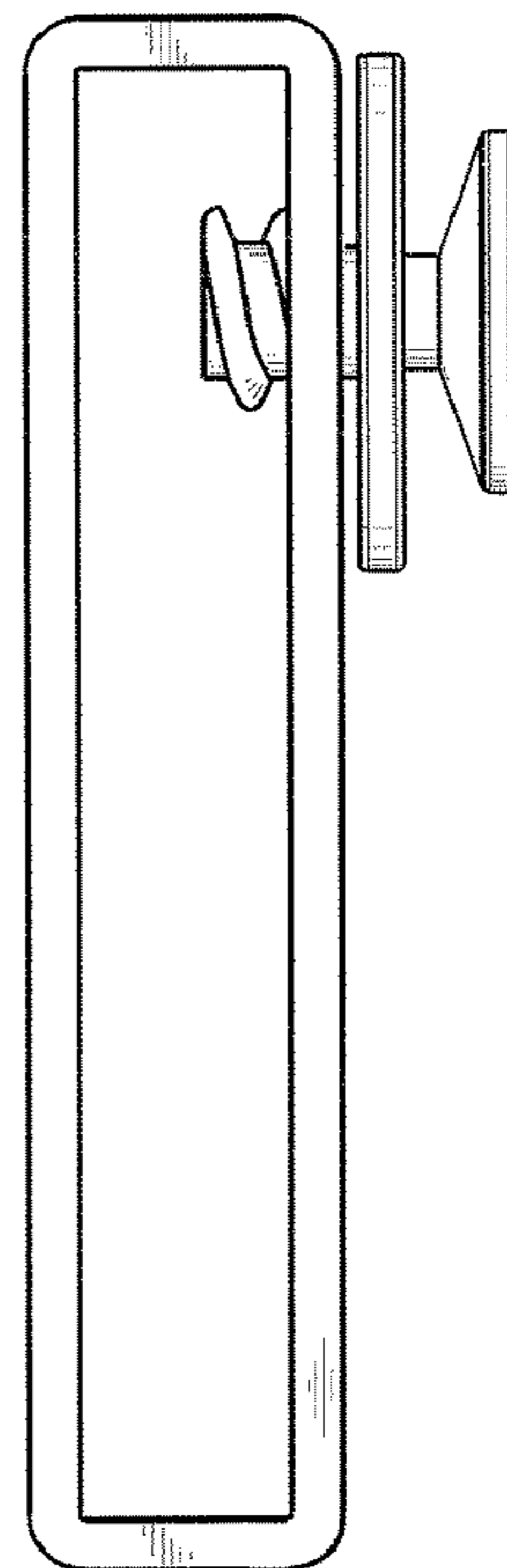


Figure 7