



US00D652440S

(12) **United States Design Patent**
Davidson et al.

(10) **Patent No.:** **US D652,440 S**
(45) **Date of Patent:** **** Jan. 17, 2012**

(54) **CAMERA**

(75) Inventors: **Eric D. Davidson**, Tualatin, OR (US);
Jeffrey D. Frank, Santa Barbara, CA
(US); **Qing Li**, Shanghai (CN); **Xuan**
Song, Shanghai (CN); **Zhen Mei Mao**,
Shanghai (CN); **Jonathan Li**, Shanghai
(CN)

(73) Assignee: **Flir Systems, Inc.**, Wilsonville, OR (US)

(**) Term: **14 Years**

(21) Appl. No.: **29/386,972**

(22) Filed: **Mar. 7, 2011**

(51) **LOC (9) Cl.** **16-01**

(52) **U.S. Cl.** **D16/203**

(58) **Field of Classification Search** D16/200–205,
D16/208, 218; 348/143, 373–376; 358/906;
396/427, 535–541

See application file for complete search history.

(56) **References Cited**

U.S. PATENT DOCUMENTS

6,683,654	B1 *	1/2004	Hajima	348/374
6,728,480	B1 *	4/2004	Maeda et al.	348/373
D529,063	S *	9/2006	Cheng	D16/203

7,221,402	B2 *	5/2007	Cheng	348/375
D592,231	S *	5/2009	Schnell	D16/202
D606,572	S *	12/2009	Samson et al.	D16/203
D611,979	S *	3/2010	Frank et al.	D16/202
D612,410	S *	3/2010	Deurwaarder	D16/203
D613,784	S *	4/2010	Wang et al.	D16/203
D614,222	S *	4/2010	Yamakawa	D16/203
D637,640	S *	5/2011	Park	D16/203

* cited by examiner

Primary Examiner — Adir Aronovich

(74) *Attorney, Agent, or Firm* — Haynes and Boone, LLP

(57) **CLAIM**

The ornamental design for a camera, as shown and described.

DESCRIPTION

FIG. 1 is a top-left perspective view of a camera embodying our new design;

FIG. 2 is a bottom-right perspective view thereof;

FIG. 3 is a left side elevational view thereof;

FIG. 4 is a right side elevational view thereof;

FIG. 5 is a rear elevational view thereof;

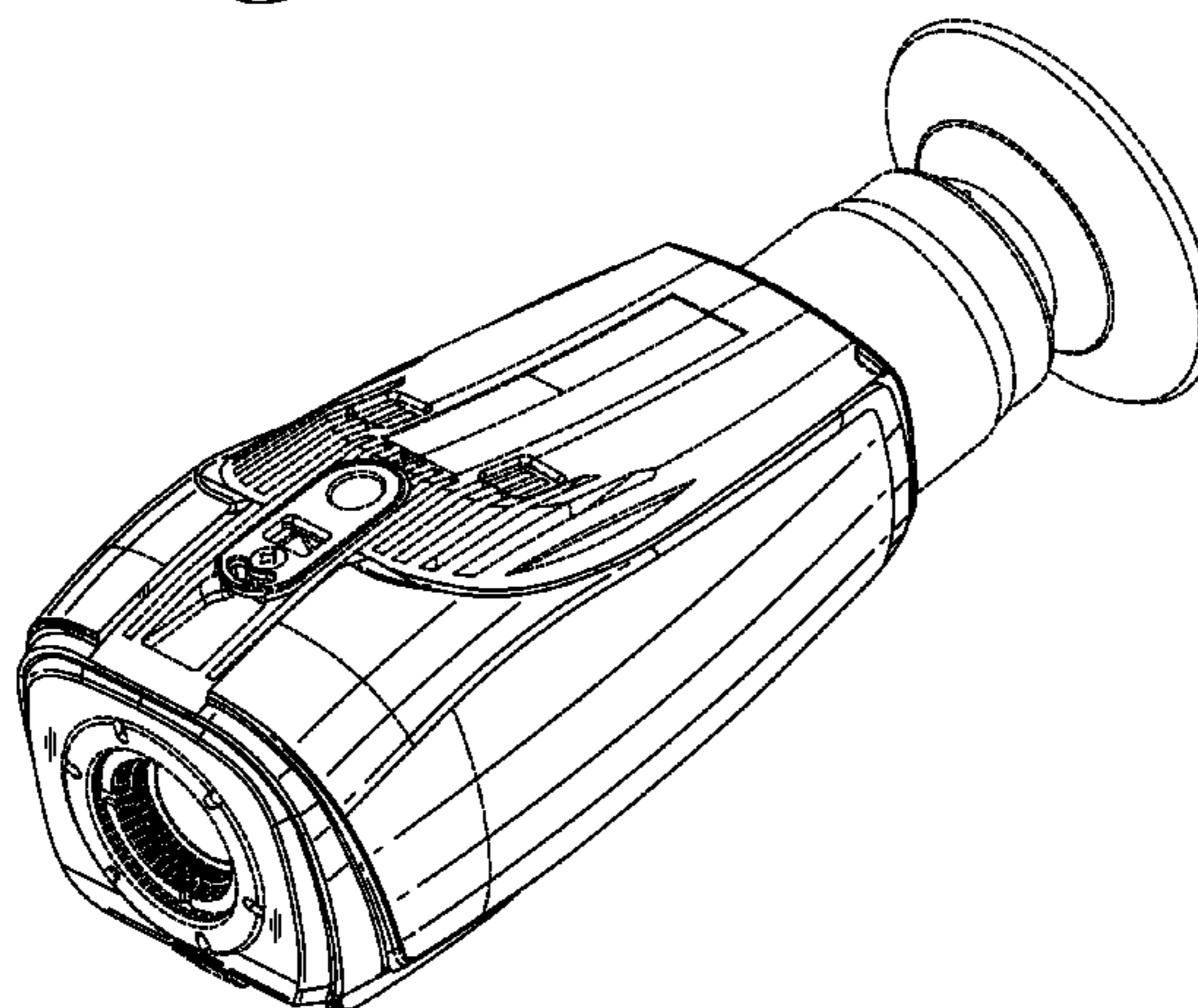
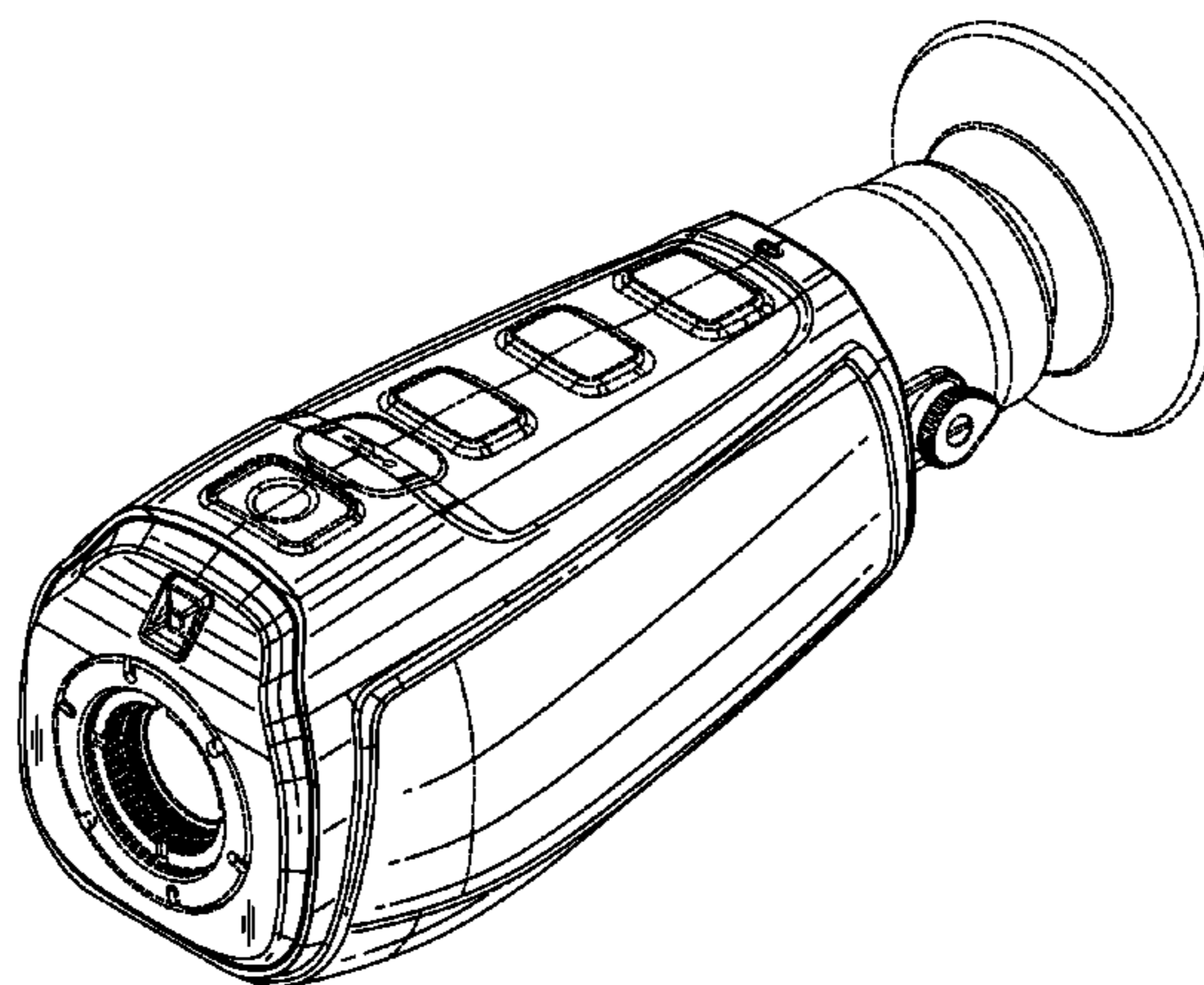
FIG. 6 is a front elevational view thereof;

FIG. 7 is a top plan view thereof; and,

FIG. 8 is a bottom plan view thereof.

The broken lines in the figures are shown for the purpose of illustrating environmental matter and form no part of the claimed design.

1 Claim, 8 Drawing Sheets



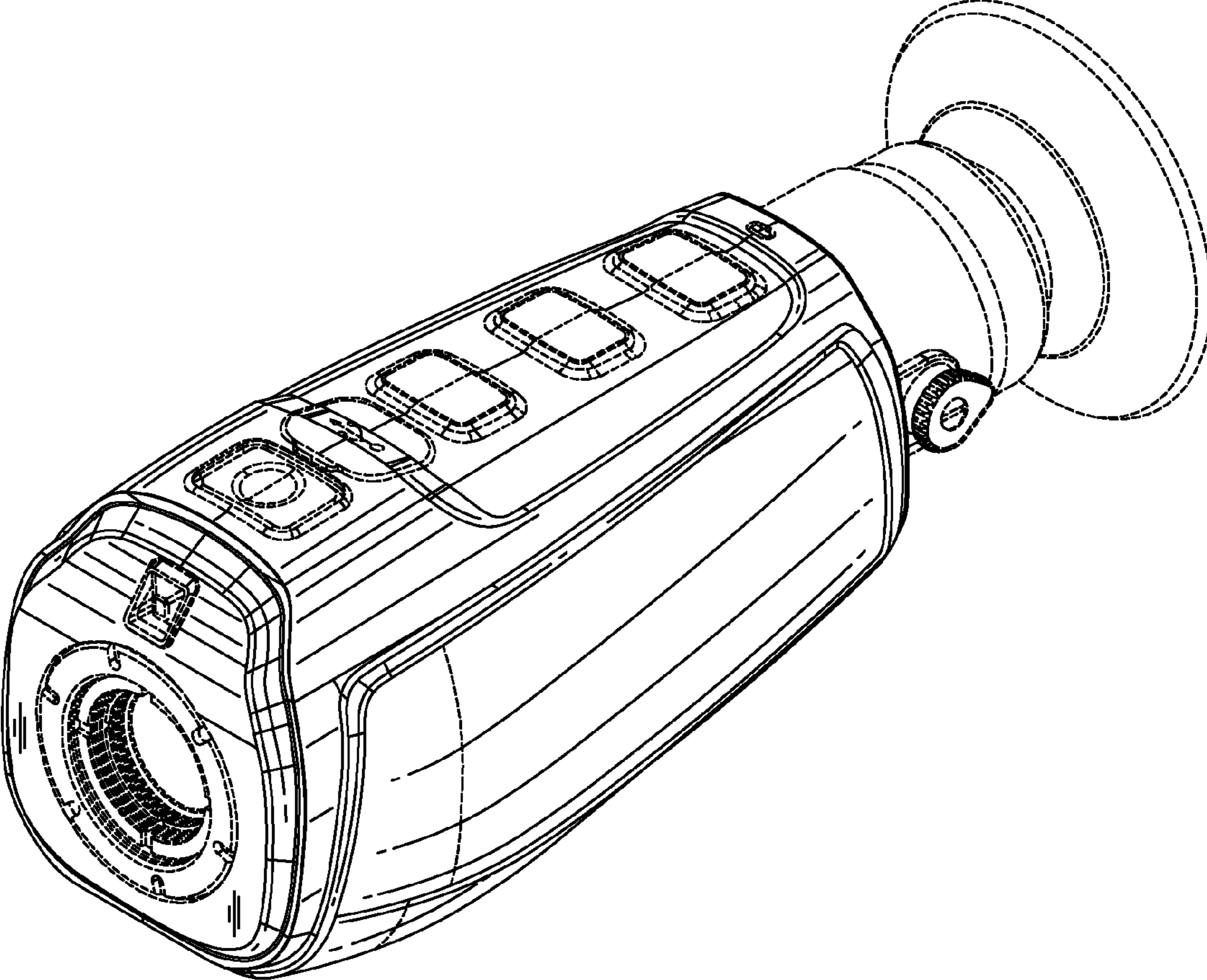


FIG. 1

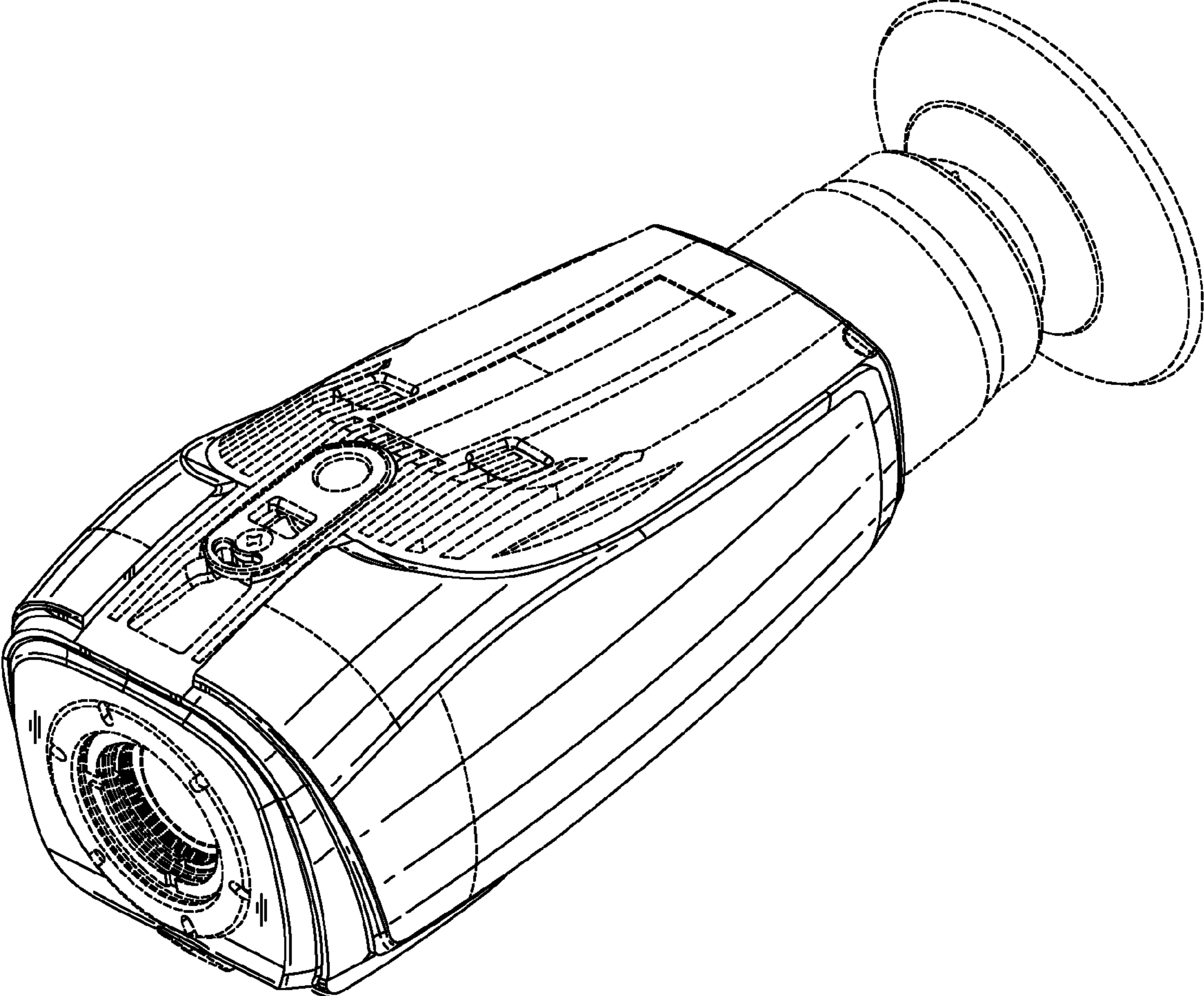


FIG. 2

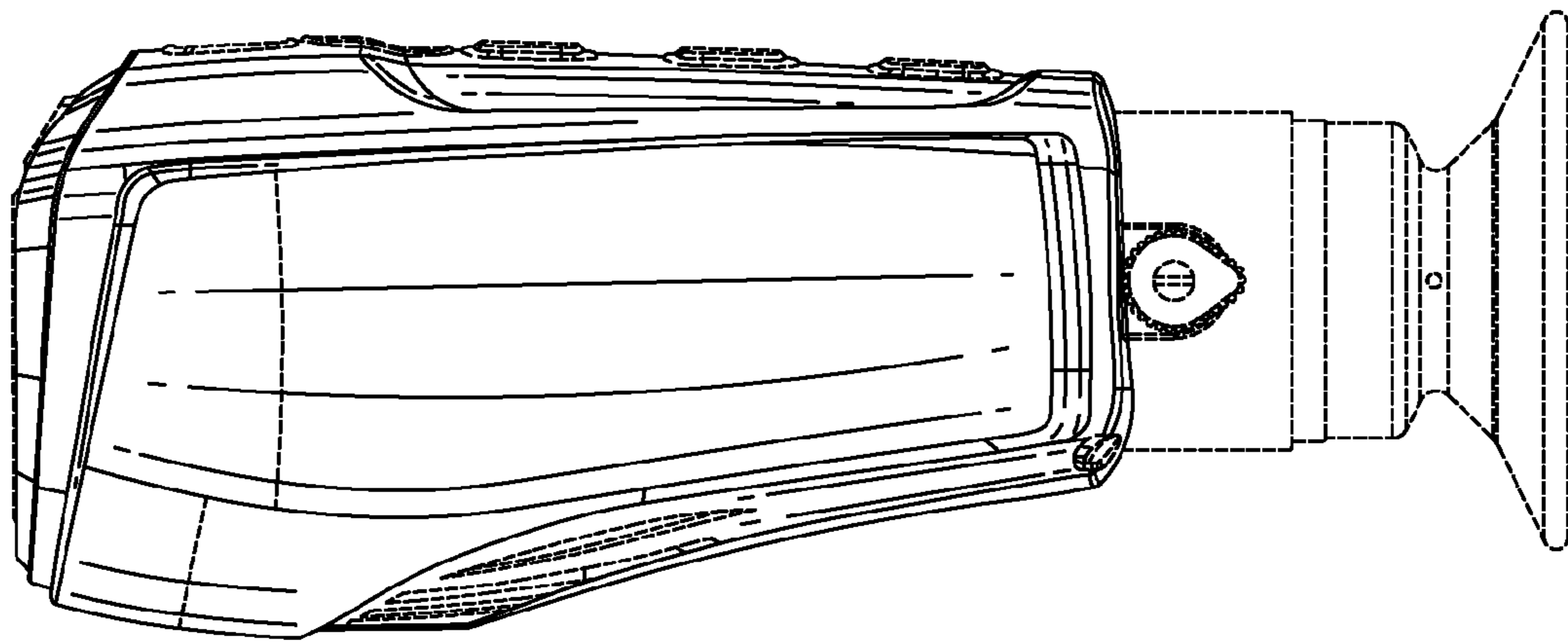


FIG. 3

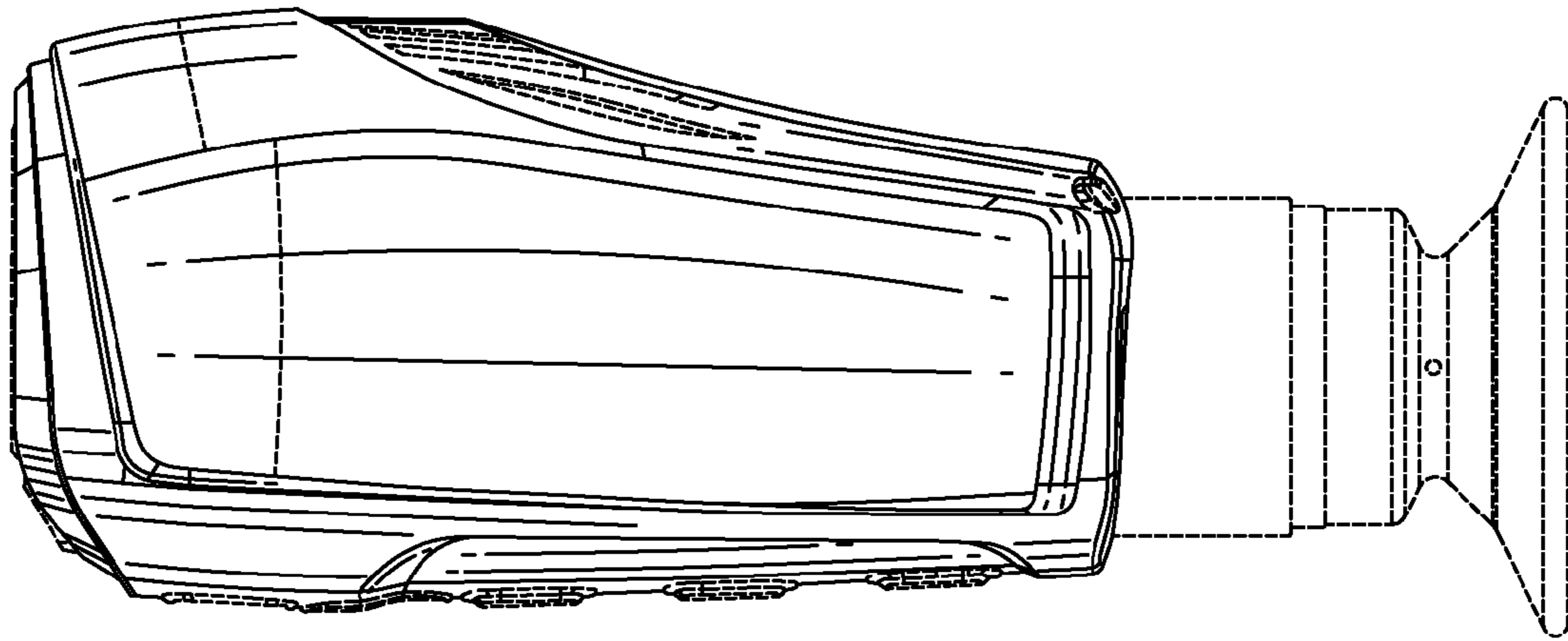


FIG. 4

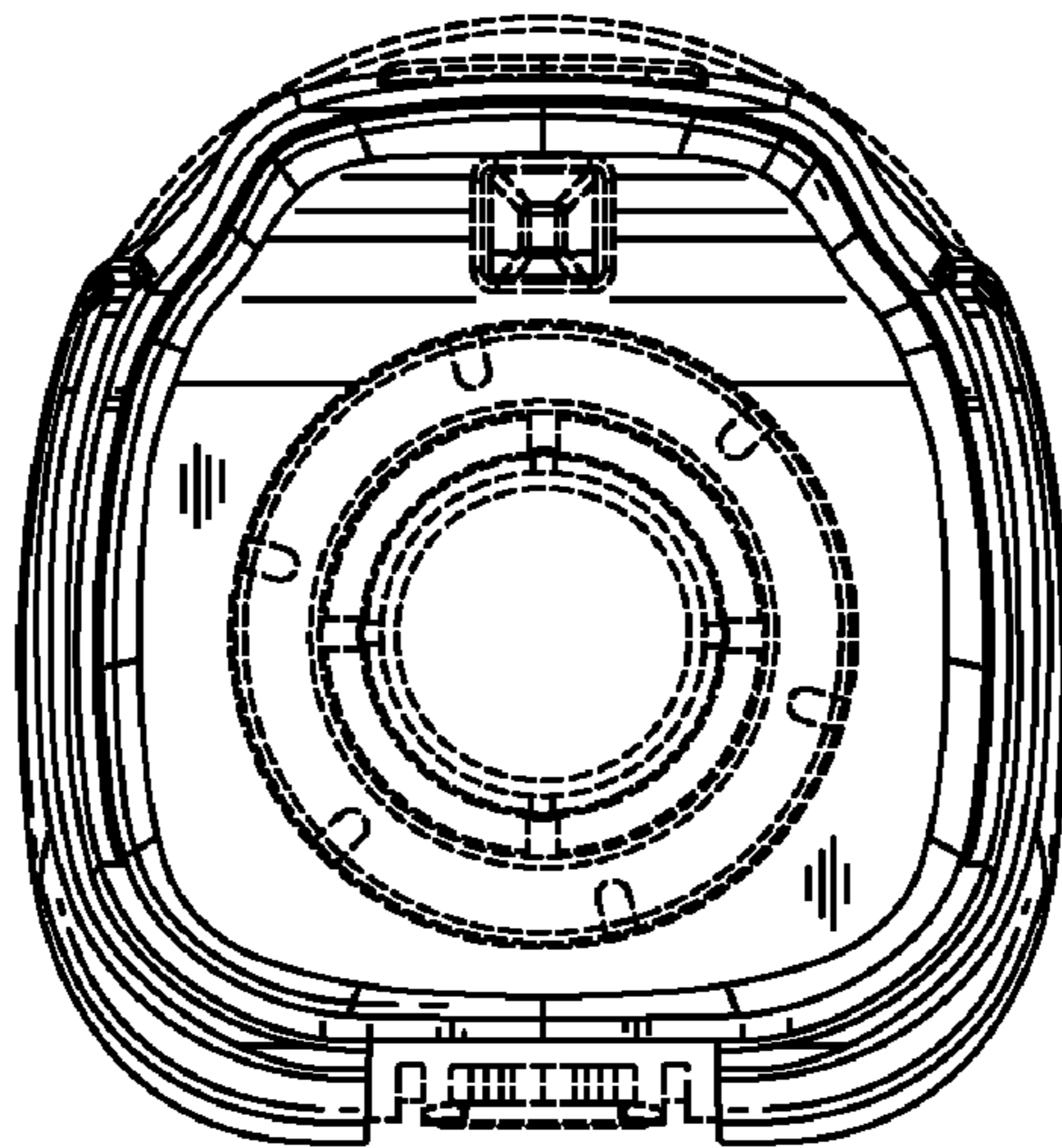


FIG. 5

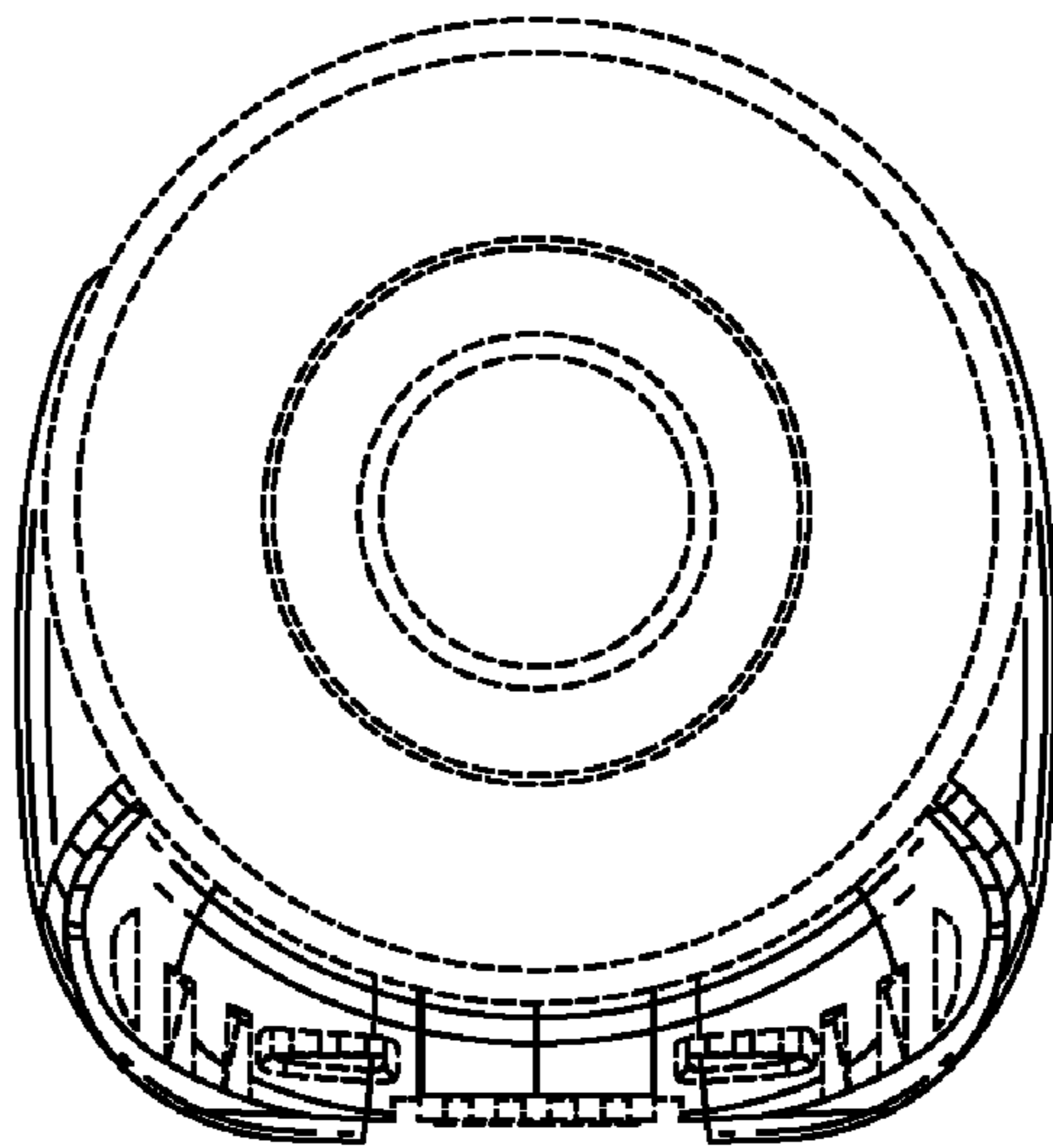


FIG. 6

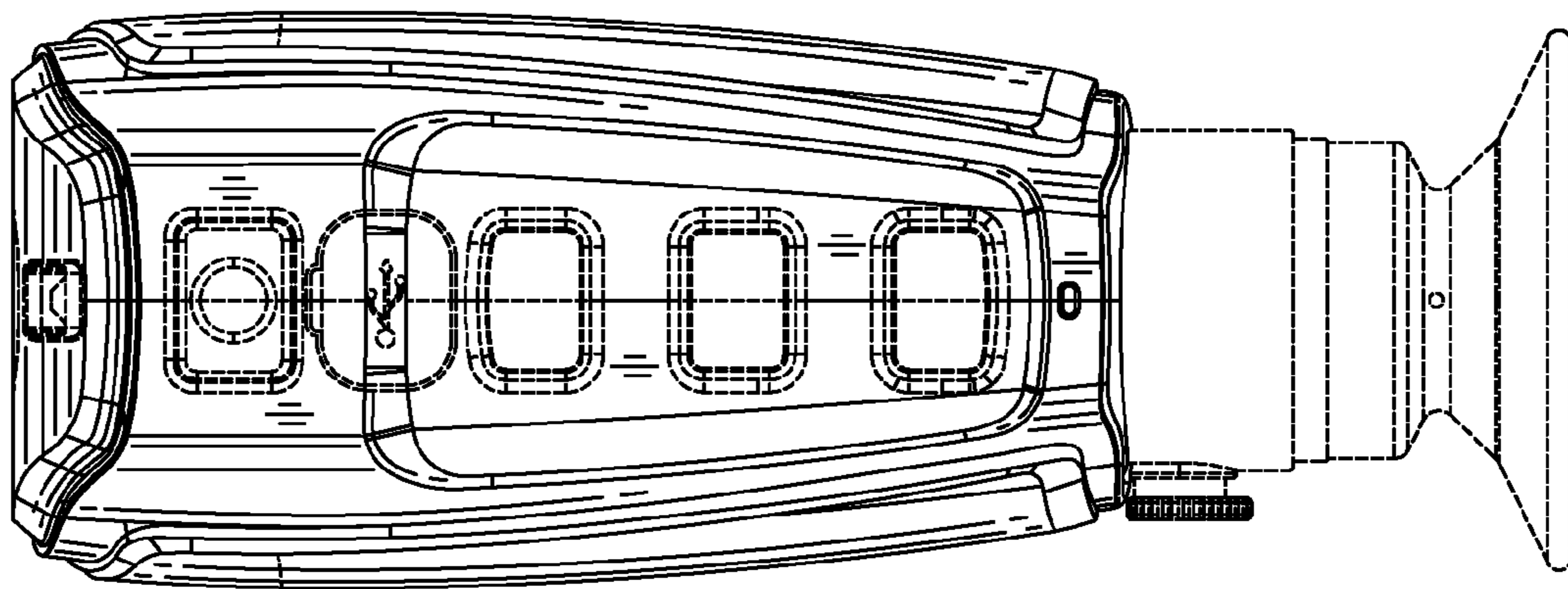


FIG. 7

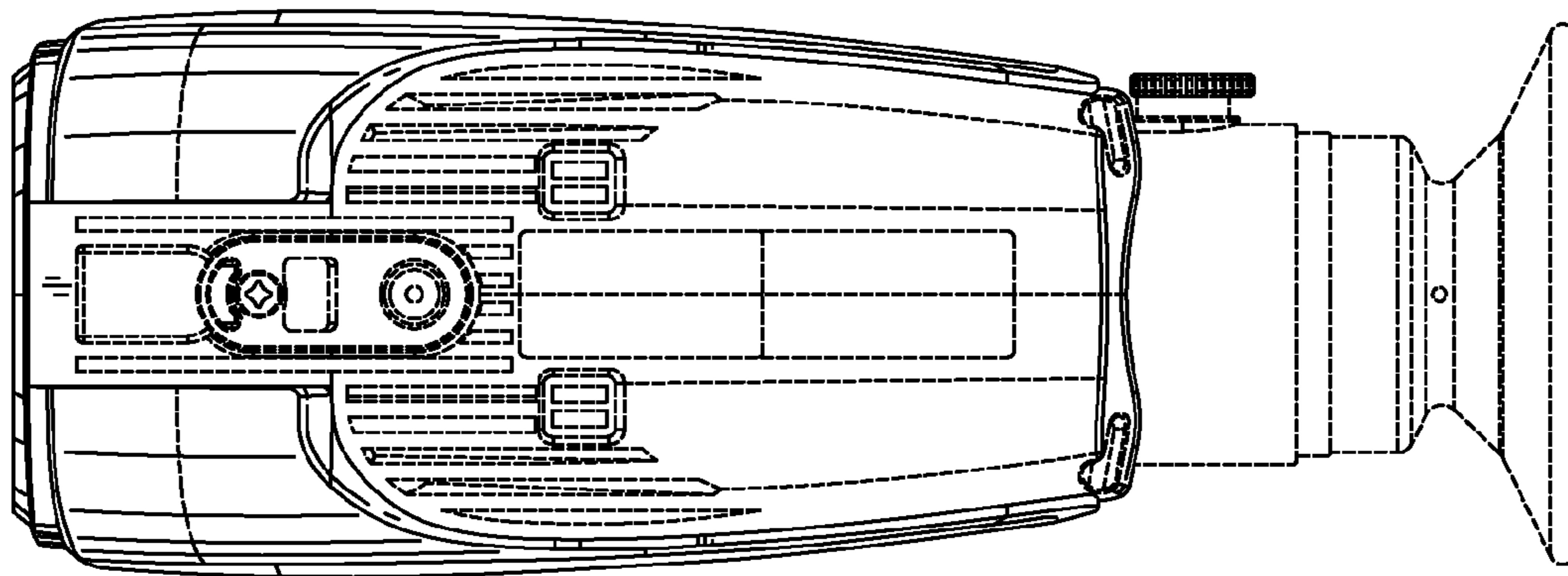


FIG. 8