



US00D652438S

(12) **United States Design Patent**
Akiyama et al.

(10) **Patent No.:** **US D652,438 S**
(45) **Date of Patent:** **** Jan. 17, 2012**

(54) **OPTICAL FIBER FUSION SPLICER**

(75) Inventors: **Tomohiro Akiyama**, Ichihara (JP);
Fumihito Yabe, Tokyo (JP); **Akio**
Tanabe, Chiba (JP)

(73) Assignee: **Furukawa Electric Co., Ltd.**, Tokyo
(JP)

(**) Term: **14 Years**

(21) Appl. No.: **29/393,410**

(22) Filed: **Jun. 3, 2011**

(30) **Foreign Application Priority Data**

Feb. 9, 2011 (JP) 2011-2742

(51) **LOC (9) Cl.** **15-09**

(52) **U.S. Cl.** **D15/144; D15/199**

(58) **Field of Classification Search** D8/70,
D8/71, 382; D15/127, 199; 65/4.3, 11.1,
65/269, 272, 385, 407, 501; 219/121.37,
219/383; 348/47, 61, 64, 87, 92, 93, 94,
348/95, 96, 97, 98; 350/96.2, 96.21, 320;
385/31-43, 49, 80-93, 95-99, 134, 137
See application file for complete search history.

(56) **References Cited**

U.S. PATENT DOCUMENTS

D247,676 S * 4/1978 Nakahata D8/70.1
5,533,160 A * 7/1996 Watanabe et al. 385/96

5,561,728 A * 10/1996 Kobayashi et al. 385/97
6,206,583 B1 * 3/2001 Hishikawa et al. 385/96
6,439,782 B1 * 8/2002 Otani et al. 385/96
6,467,973 B2 * 10/2002 Takahashi et al. 385/96
7,061,522 B1 * 6/2006 Kojima et al. 348/61
7,438,485 B2 * 10/2008 Tabata et al. 385/97
D596,211 S * 7/2009 Sasaki D15/144
2001/0053268 A1 * 12/2001 Takahashi et al. 385/96
2005/0041938 A1 * 2/2005 Hattori et al. 385/96
2010/0260458 A1 * 10/2010 Sato 385/96
2010/0272405 A1 * 10/2010 Song et al. 385/96

* cited by examiner

Primary Examiner — Patricia Palasik

(74) *Attorney, Agent, or Firm* — Oliff & Berridge, PLC

(57) **CLAIM**

The ornamental design for an optical fiber fusion splicer, as shown and described.

DESCRIPTION

FIG. 1 is the perspective view of the top, rear and left side of an optical fiber fusion splicer showing our design.

FIG. 2 is a front view thereof.

FIG. 3 is a rear view thereof.

FIG. 4 is a top plan view thereof.

FIG. 5 is the bottom plan view thereof.

FIG. 6 is the right side view thereof.

FIG. 7 is the left side view thereof; and,

FIG. 8 is the reference exploded perspective view thereof.

The portions of the article in broken lines are shown for illustrative purposes only and don't form any part of the claimed design.

1 Claim, 6 Drawing Sheets

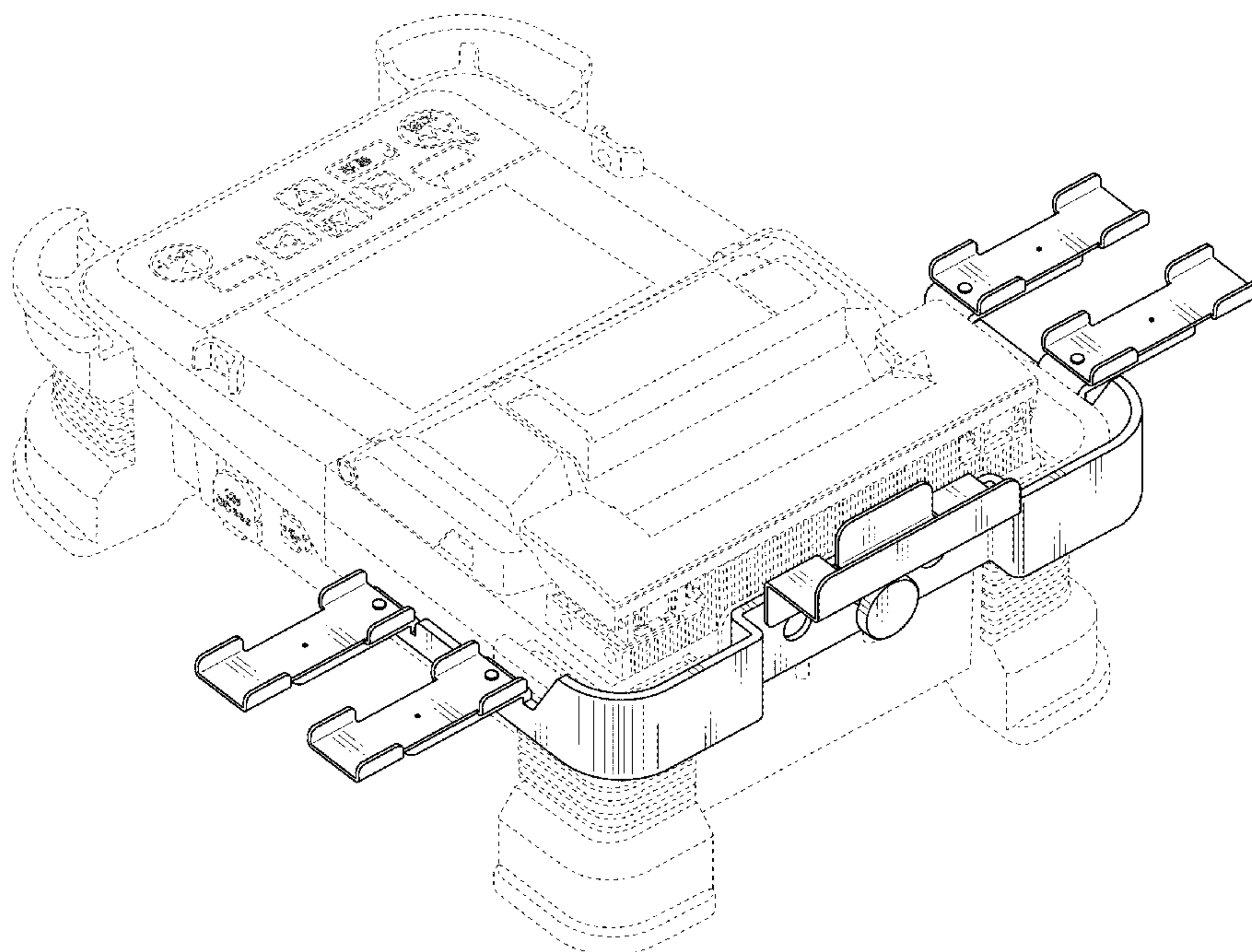


Fig. 1

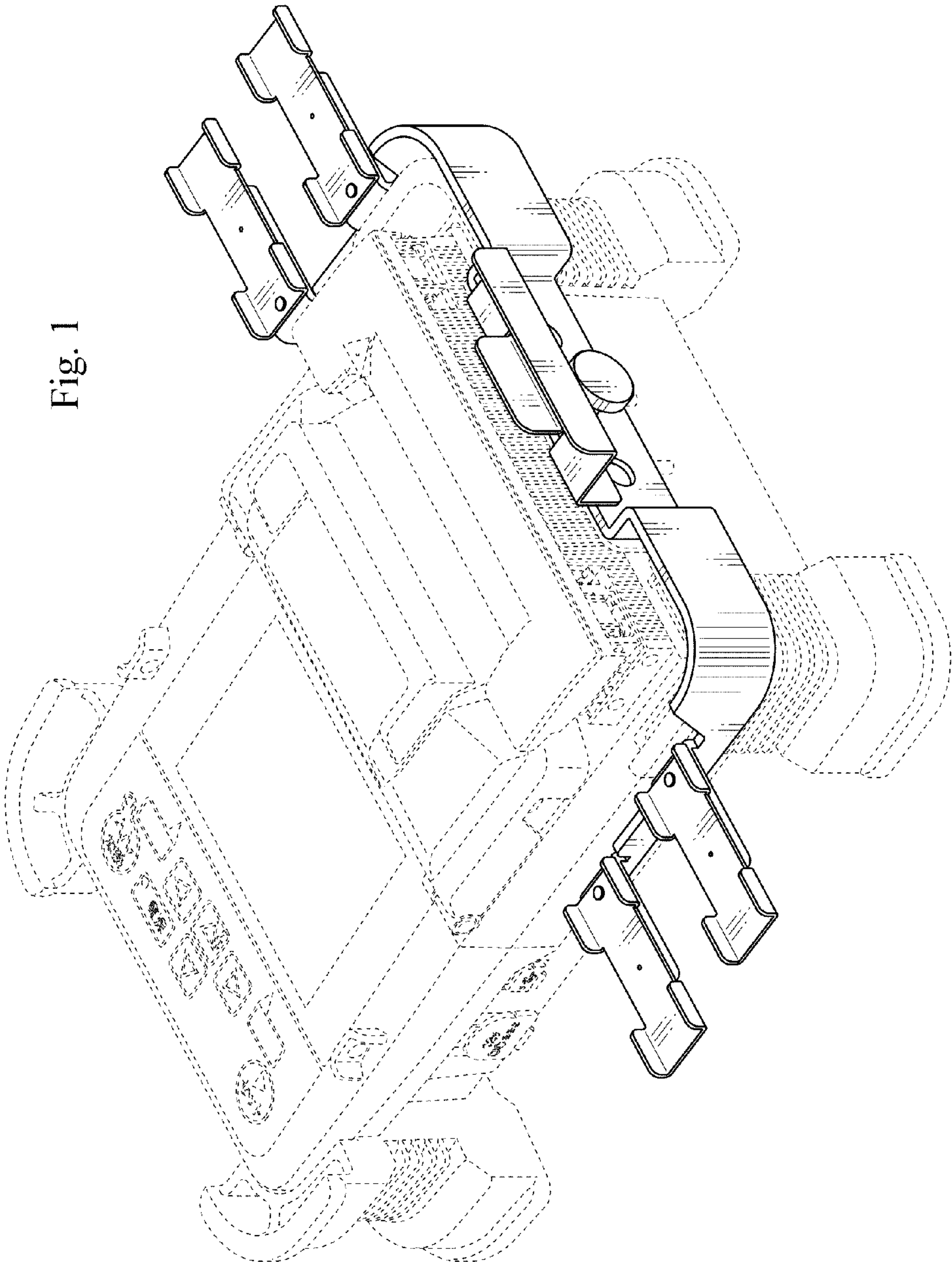


Fig. 2

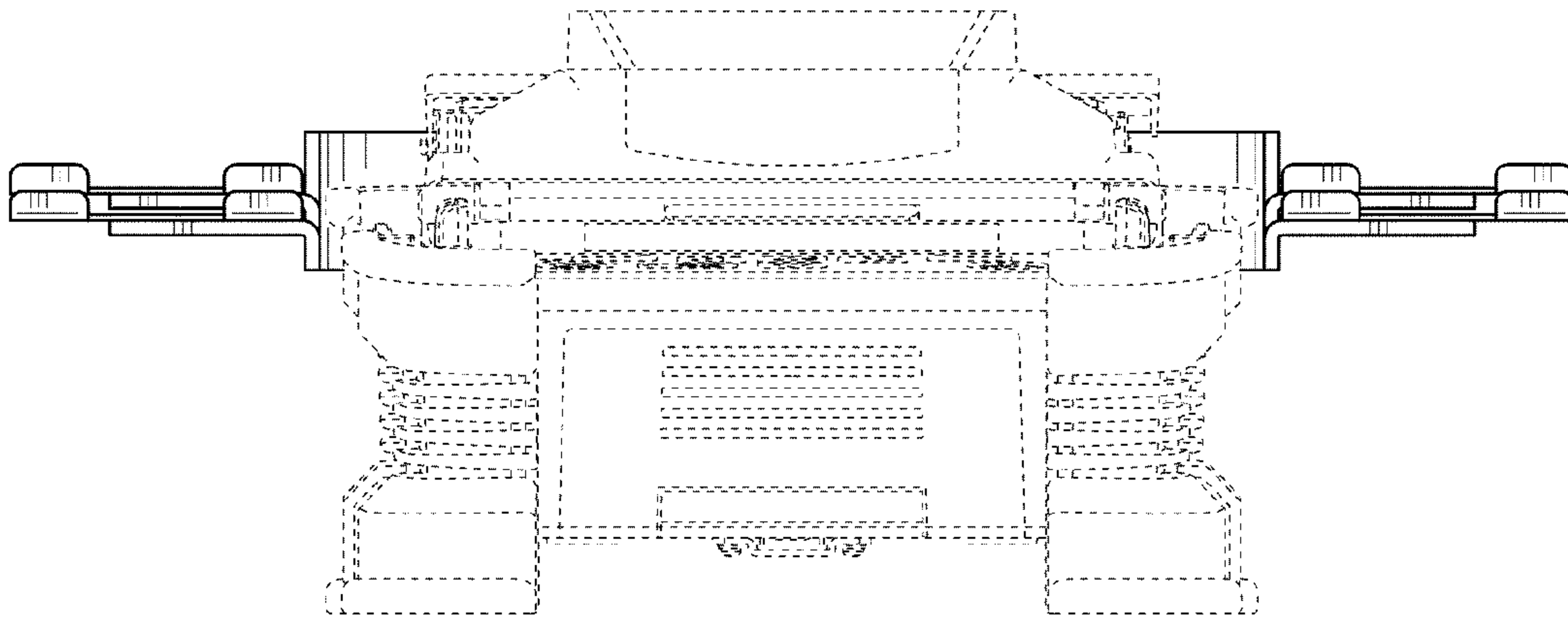


Fig. 3

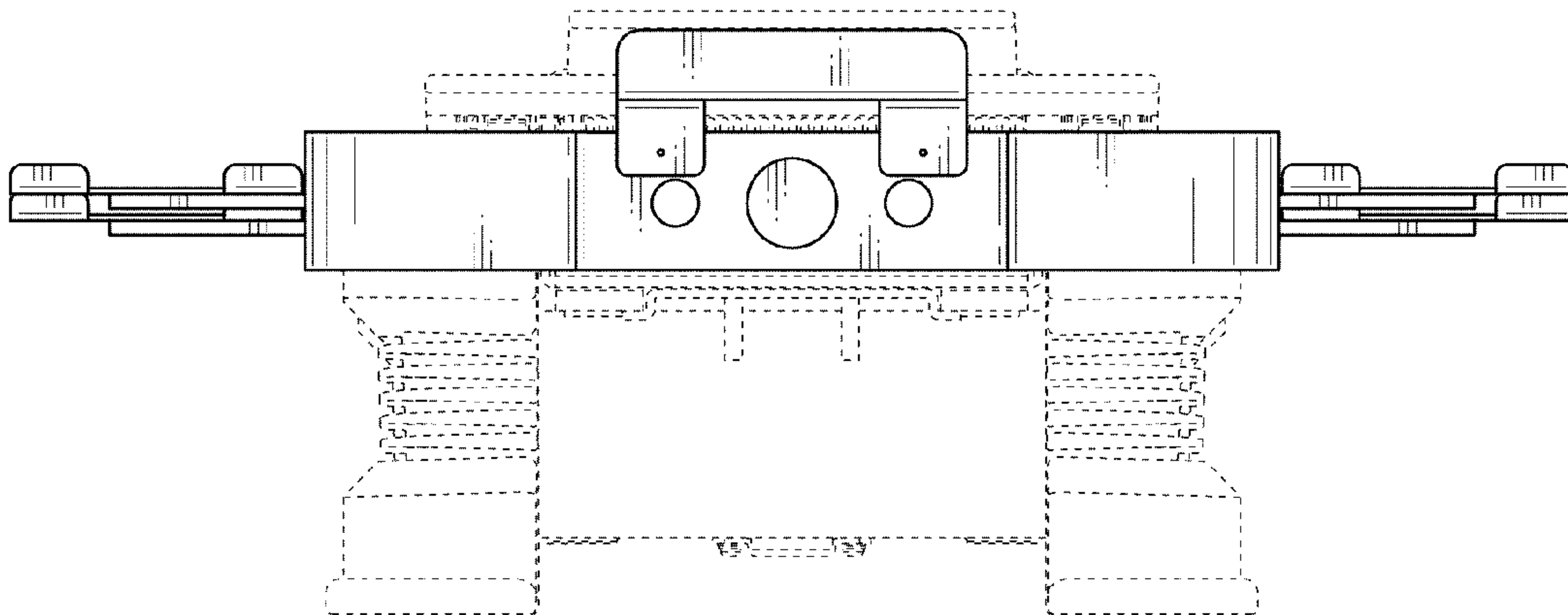


Fig. 4

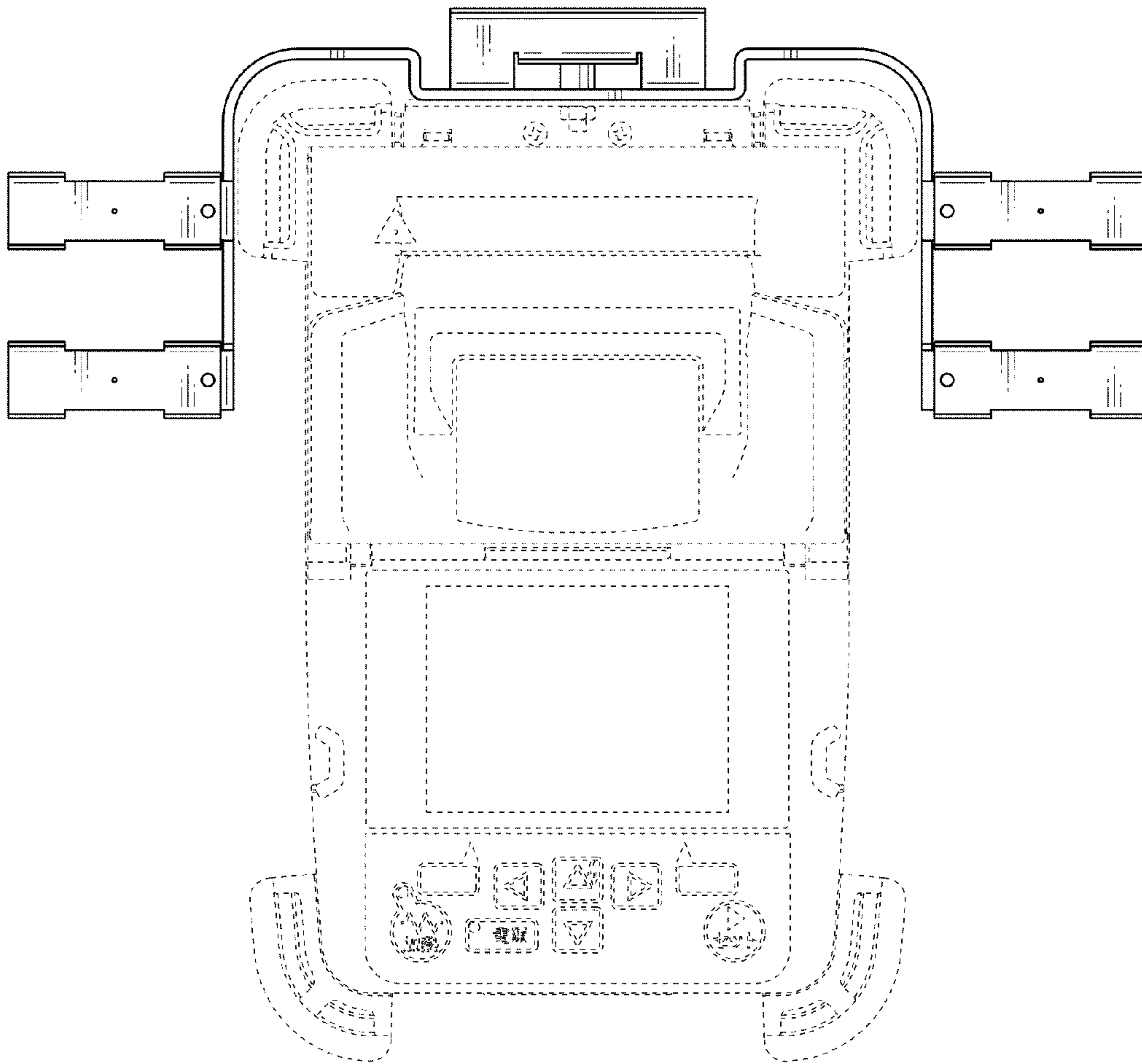


Fig. 5

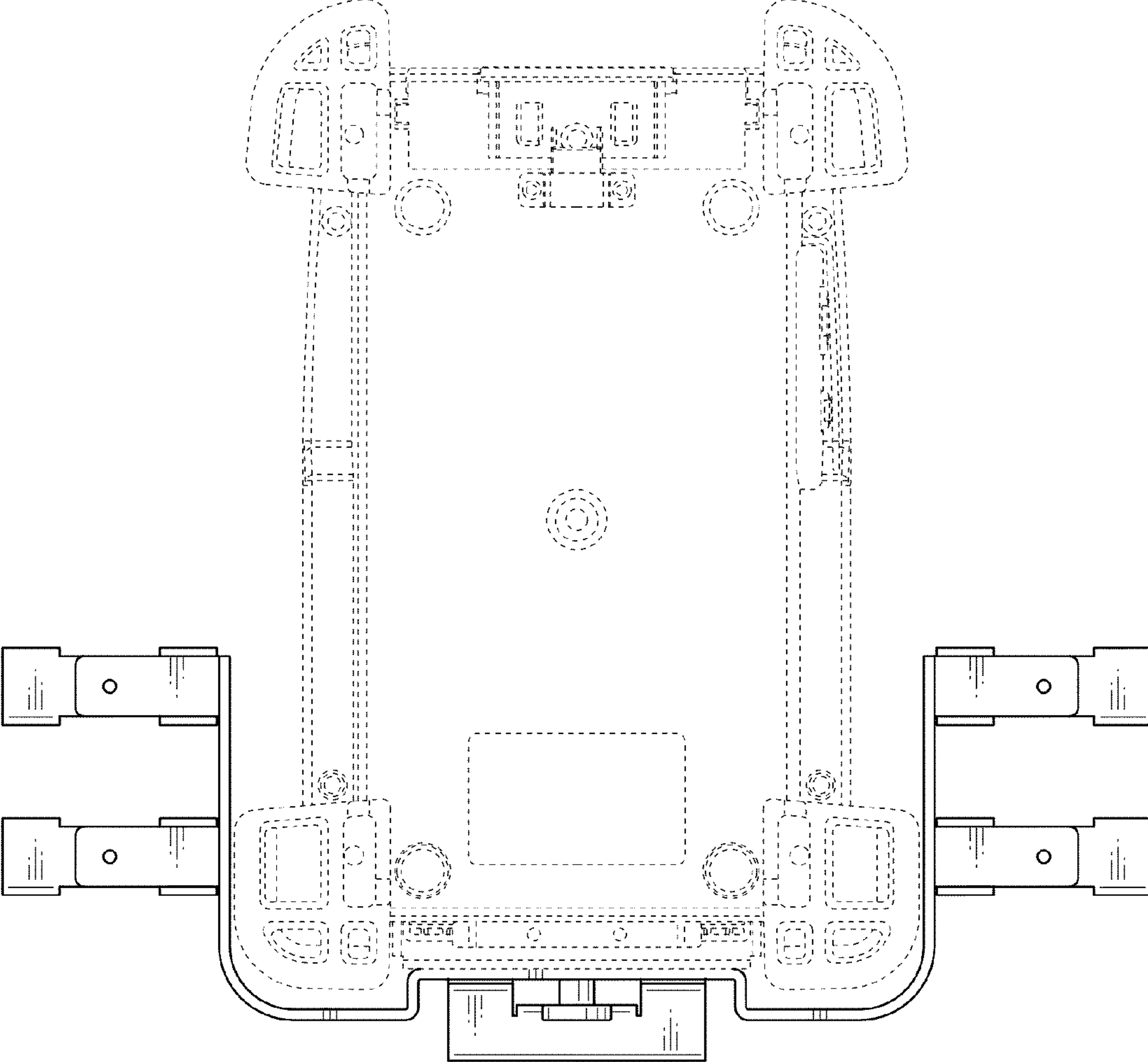


Fig. 6

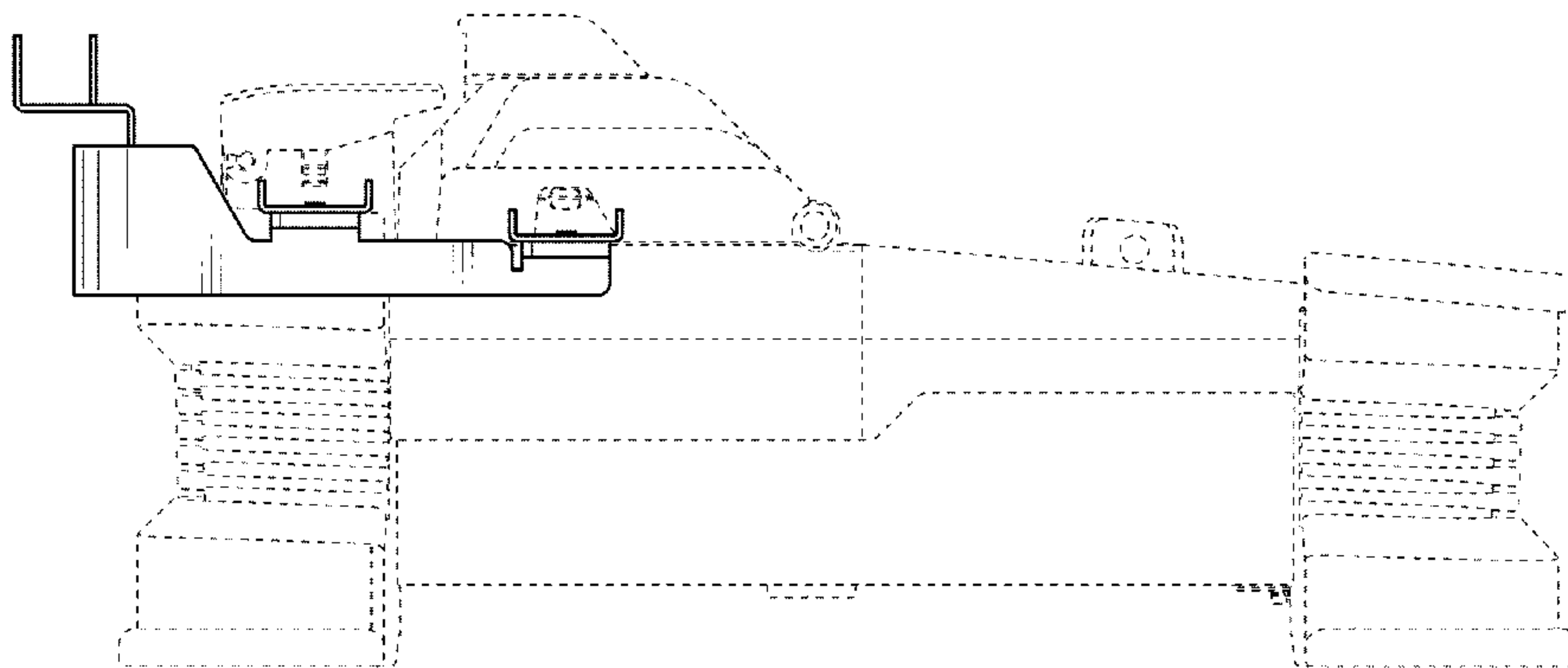


Fig. 7

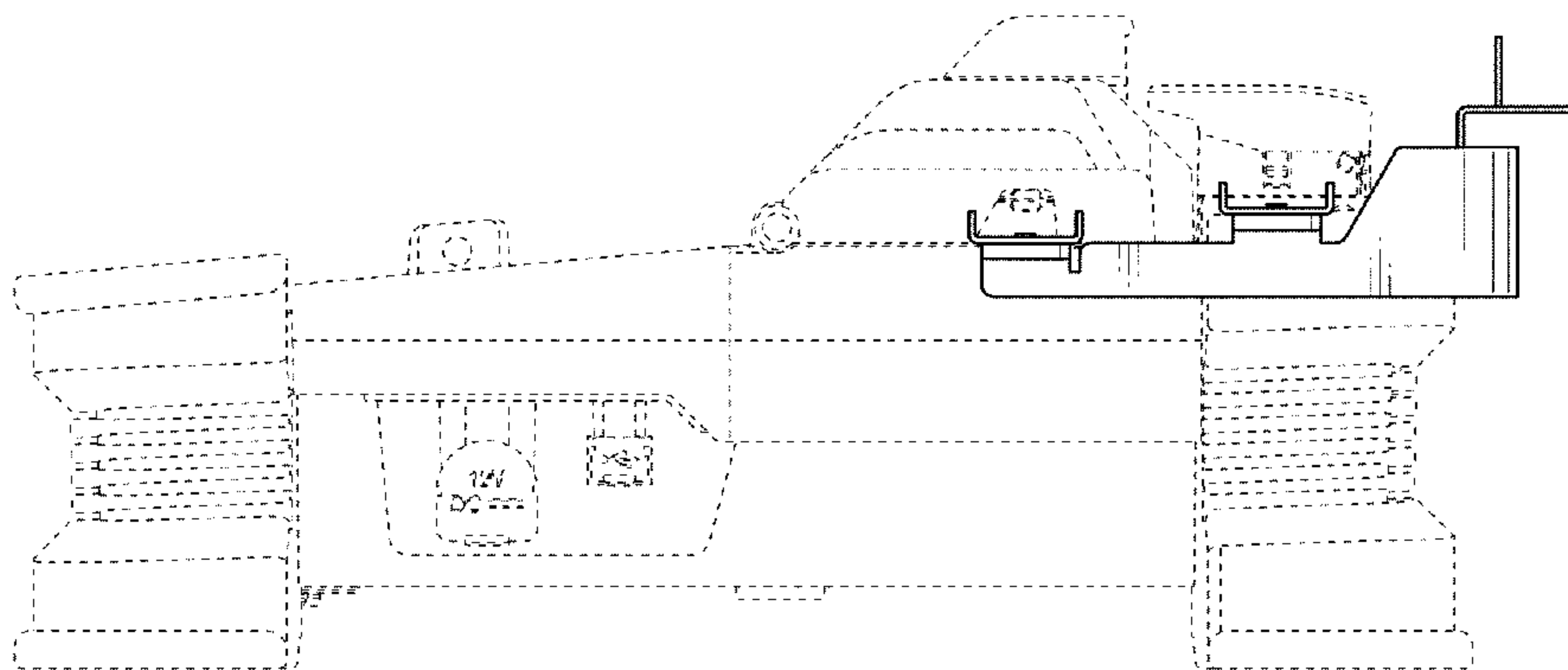


Fig. 8

