



US00D652435S

(12) **United States Design Patent**
McLean

(10) **Patent No.:** **US D652,435 S**
(45) **Date of Patent:** **** Jan. 17, 2012**

(54) **SORTING OR INSPECTION APPARATUS**

(75) Inventor: **Robert McLean**, Brentwood (GB)

(73) Assignee: **Buhler Sortex Ltd.**, London (GB)

(**) Term: **14 Years**

(21) Appl. No.: **29/361,714**

(22) Filed: **May 13, 2010**

Related U.S. Application Data

(63) Continuation-in-part of application No. 29/339,835, filed on Jul. 8, 2009, now abandoned.

(30) **Foreign Application Priority Data**

Jan. 8, 2009 (EM) 001070478-0001

(51) **LOC (9) Cl.** **15-09**

(52) **U.S. Cl.** **D15/122**

(58) **Field of Classification Search** D15/122,
D15/131, 147, 199; 209/233-235, 260, 509,
209/606, 641, 642, 680, 693, 696, 699, 707,
209/910, 911, 940

See application file for complete search history.

(56) **References Cited**

U.S. PATENT DOCUMENTS

489,378	A *	1/1893	Gilbert	209/269
540,953	A *	6/1895	Dana	209/44
2,734,537	A *	2/1956	Geisler	452/135
3,482,686	A *	12/1969	Wood	209/587
4,116,339	A *	9/1978	Holmes	209/699
4,222,864	A *	9/1980	Keller	209/284
4,308,959	A *	1/1982	Hoover et al.	209/563
4,444,303	A *	4/1984	Burgess, Jr.	198/346.1
4,878,582	A *	11/1989	Codding	209/580

5,323,912	A *	6/1994	Fan et al.	209/593
D360,888	S *	8/1995	Timm	D15/147
5,469,972	A *	11/1995	St-Pierre et al.	209/245
5,842,578	A *	12/1998	Cordeiro	209/420
6,252,188	B1 *	6/2001	Zapata et al.	209/577
D560,233	S *	1/2008	Bee	D15/122
7,461,746	B1 *	12/2008	Egge et al.	209/413
7,581,646	B2 *	9/2009	Barr	209/235
D618,260	S *	6/2010	Nakano	D15/131
D630,659	S *	1/2011	Dibbs	D15/147
2004/0142486	A1 *	7/2004	Weselak et al.	436/174
2008/0202989	A1 *	8/2008	Graney	209/311
2008/0283452	A1 *	11/2008	Barr	209/606
2010/0131094	A1 *	5/2010	Green et al.	700/223

* cited by examiner

Primary Examiner — Patricia Palasik

(74) *Attorney, Agent, or Firm* — Davis Wright Tremaine LLP

(57) **CLAIM**

The ornamental design for a sorting or inspection apparatus, as shown and described.

DESCRIPTION

FIG. 1 is a front elevational view of the sorting or inspection apparatus;

FIG. 2 is a rear elevational view thereof;

FIG. 3 is a left side elevational view thereof;

FIG. 4 is a right side elevational view thereof;

FIG. 5 is a front, top, left side perspective view thereof;

FIG. 6 is a rear, top, right side perspective view thereof;

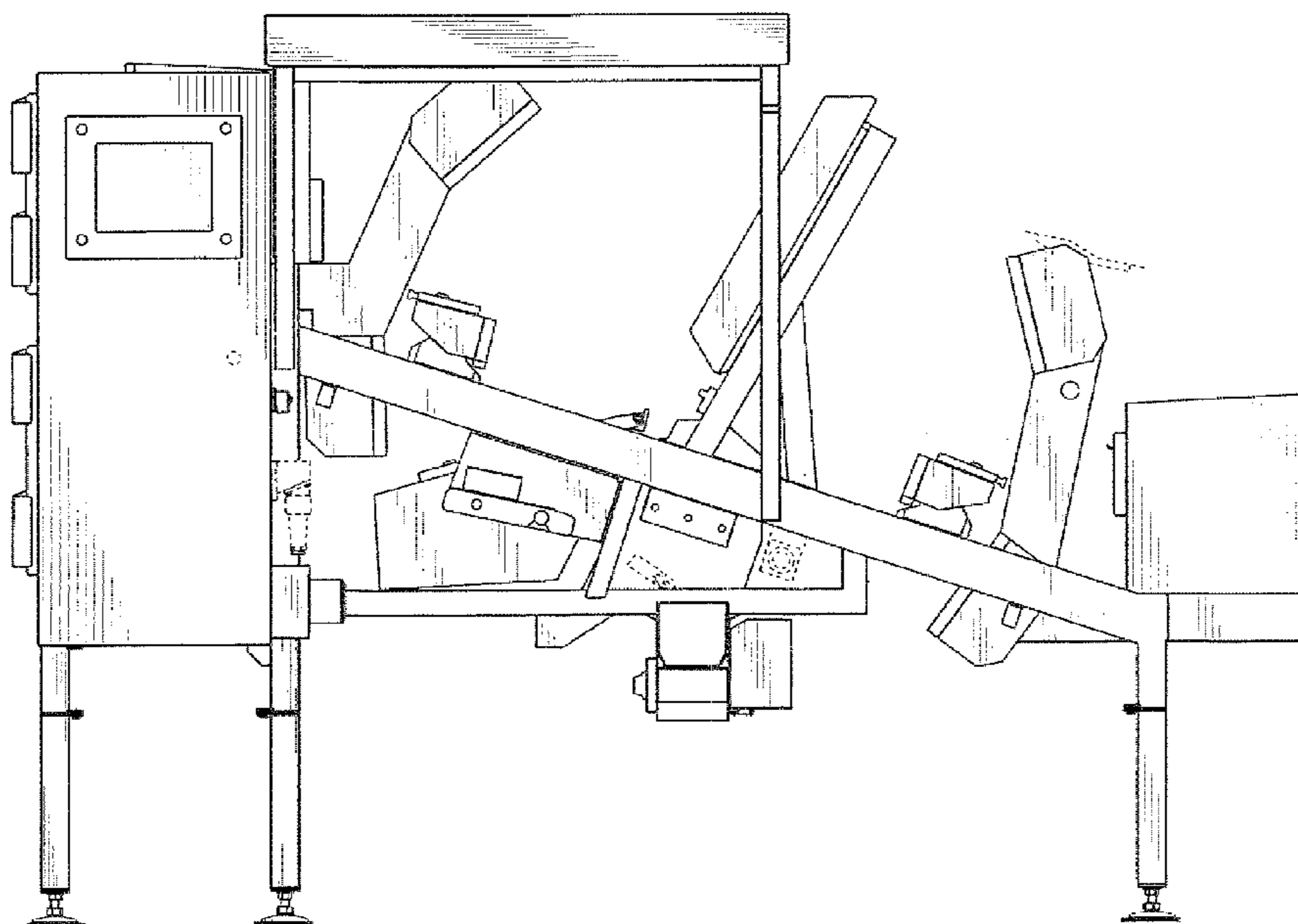
FIG. 7 is a top plan view thereof;

FIG. 8 is a bottom plan view thereof; and,

FIG. 9 is a front, top, right side perspective view thereof.

The broken lines in the drawings depict unclaimed environmental subject matter.

1 Claim, 8 Drawing Sheets



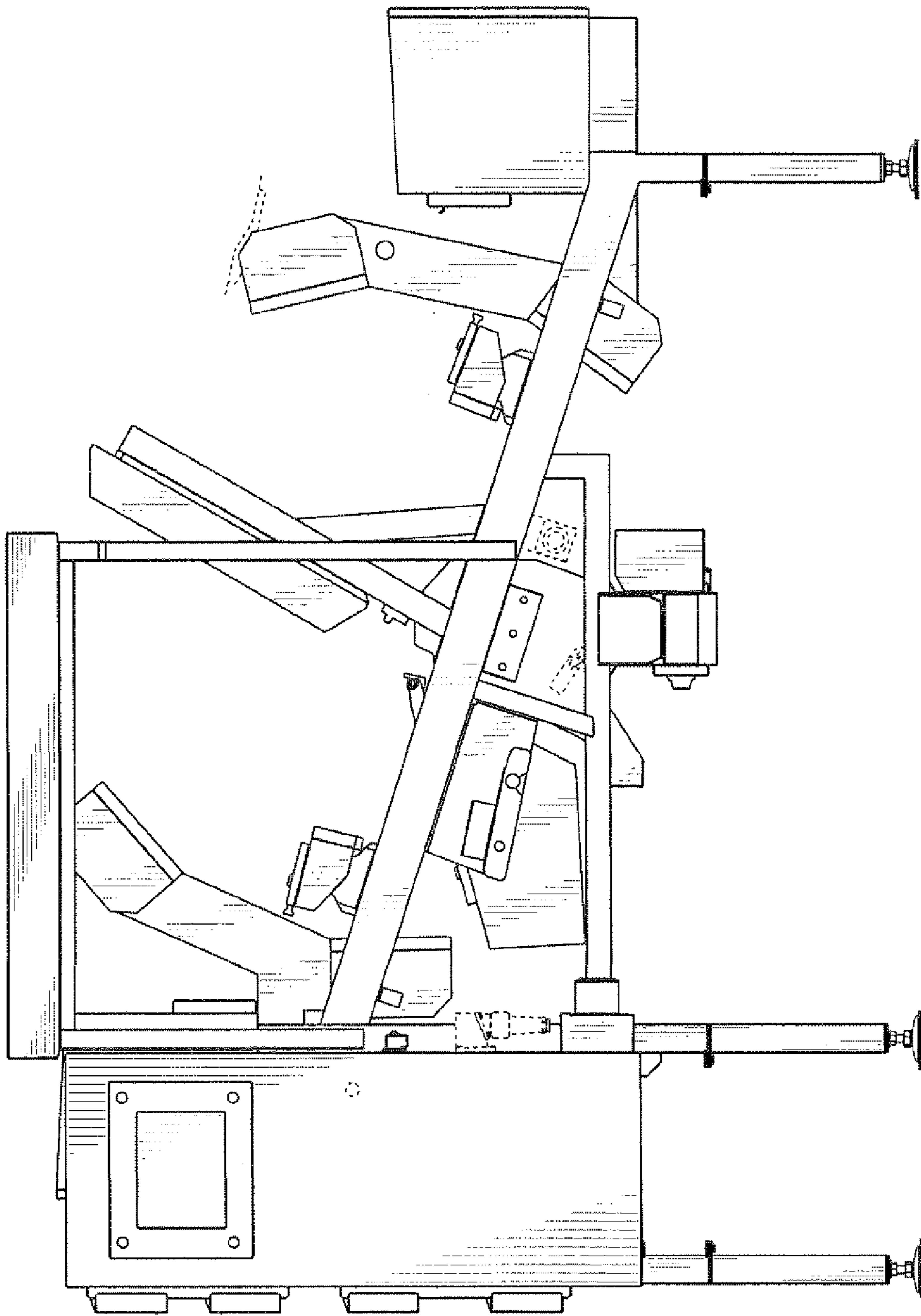


FIG. 1

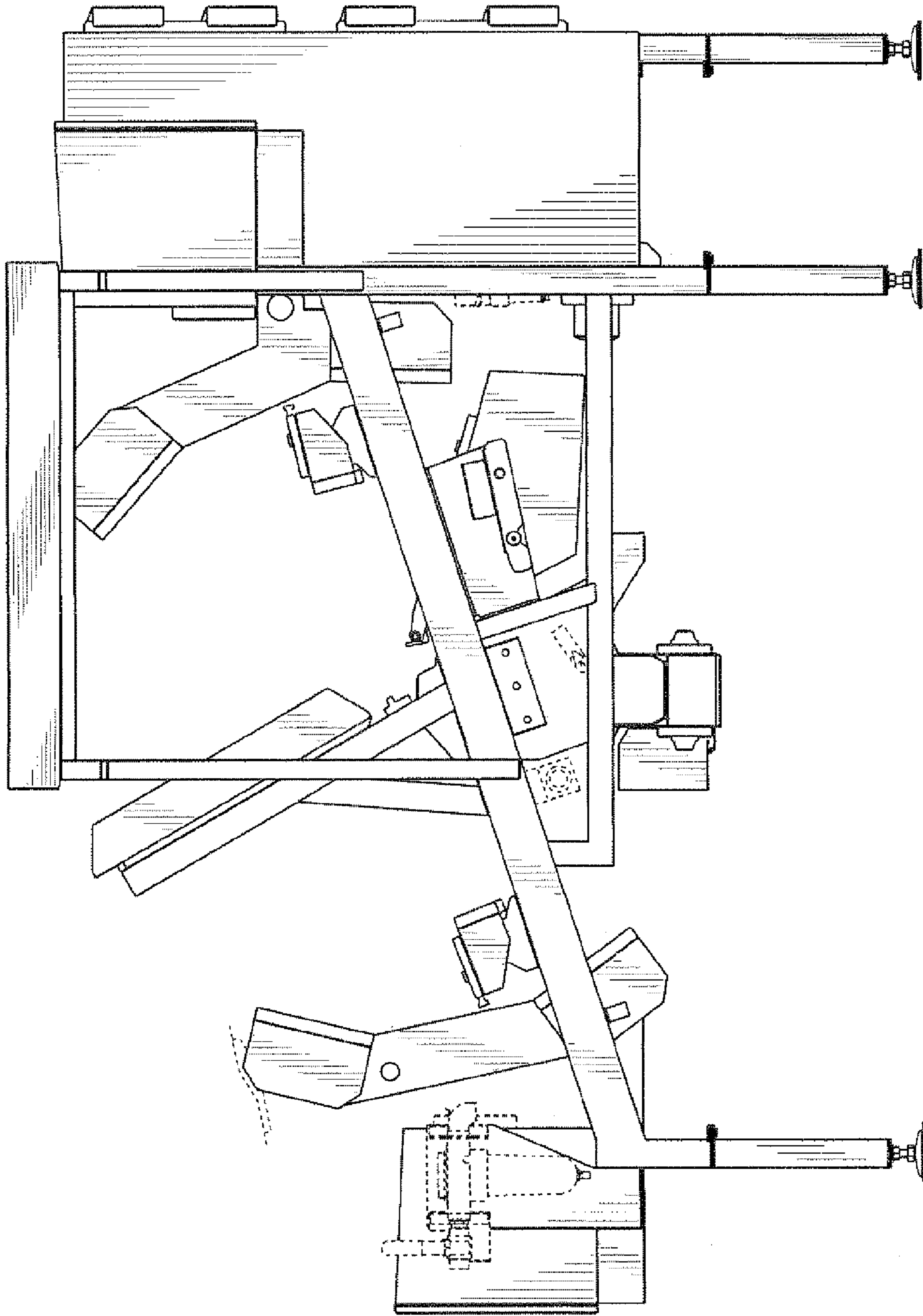


FIG. 2

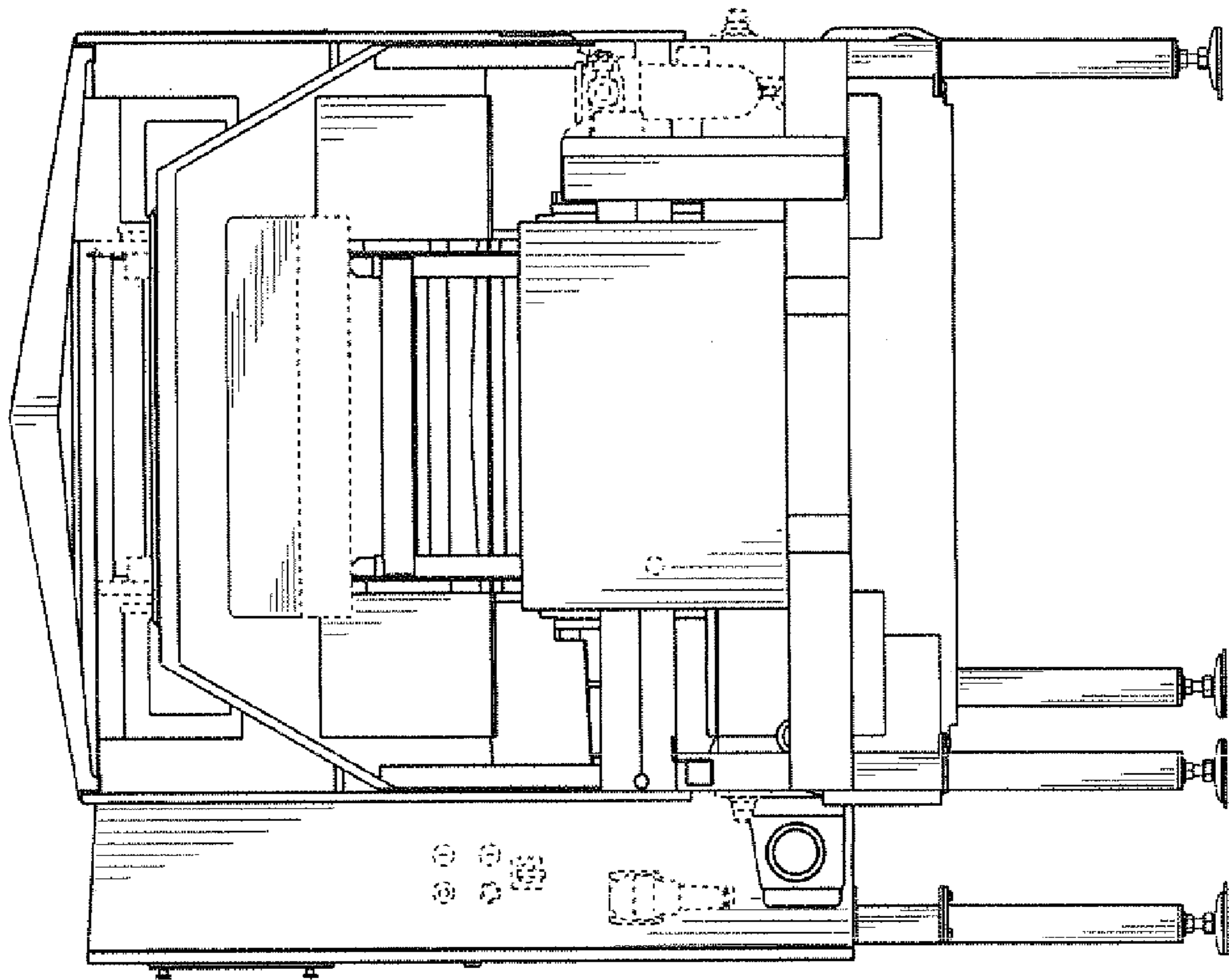


FIG. 4

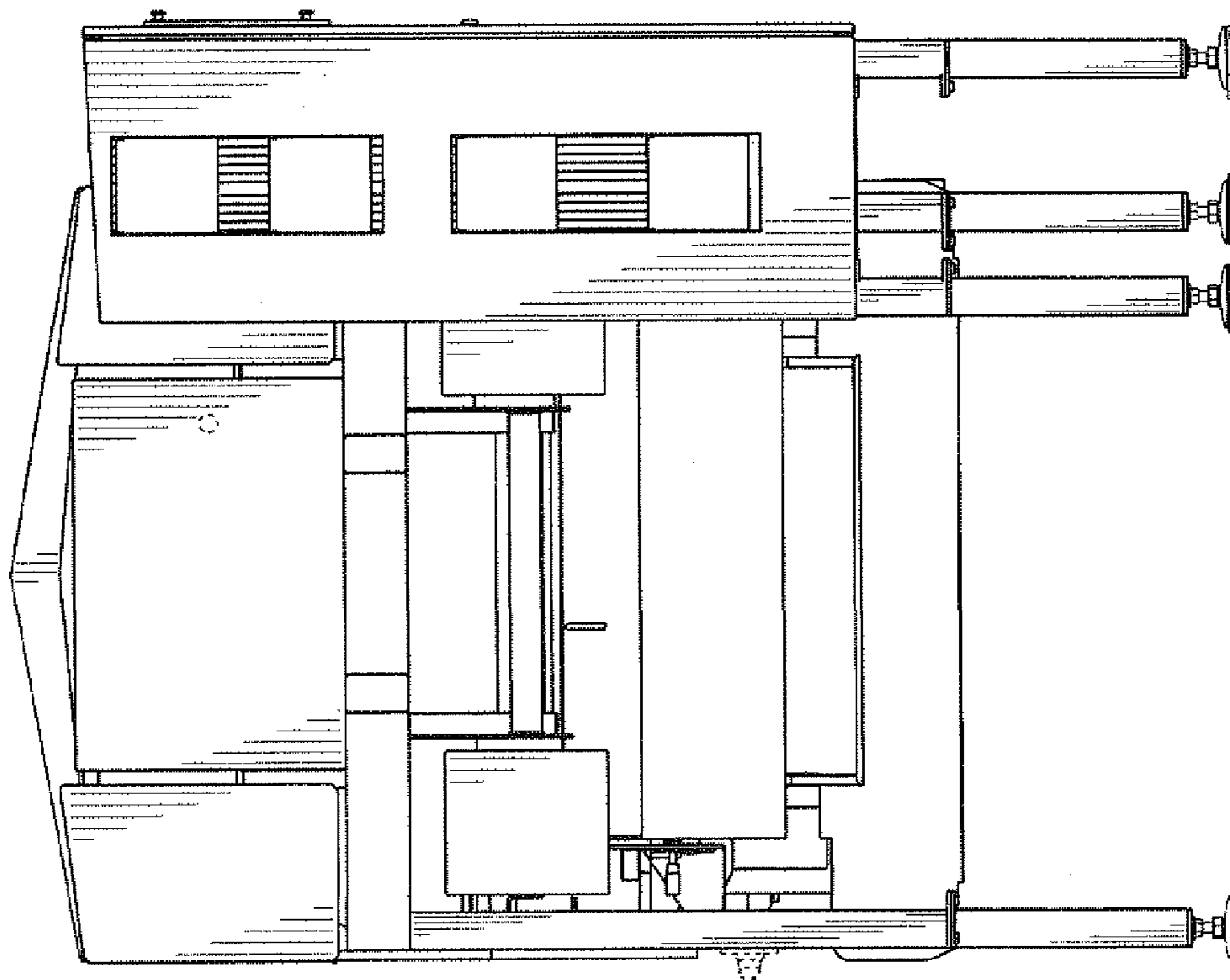


FIG. 3

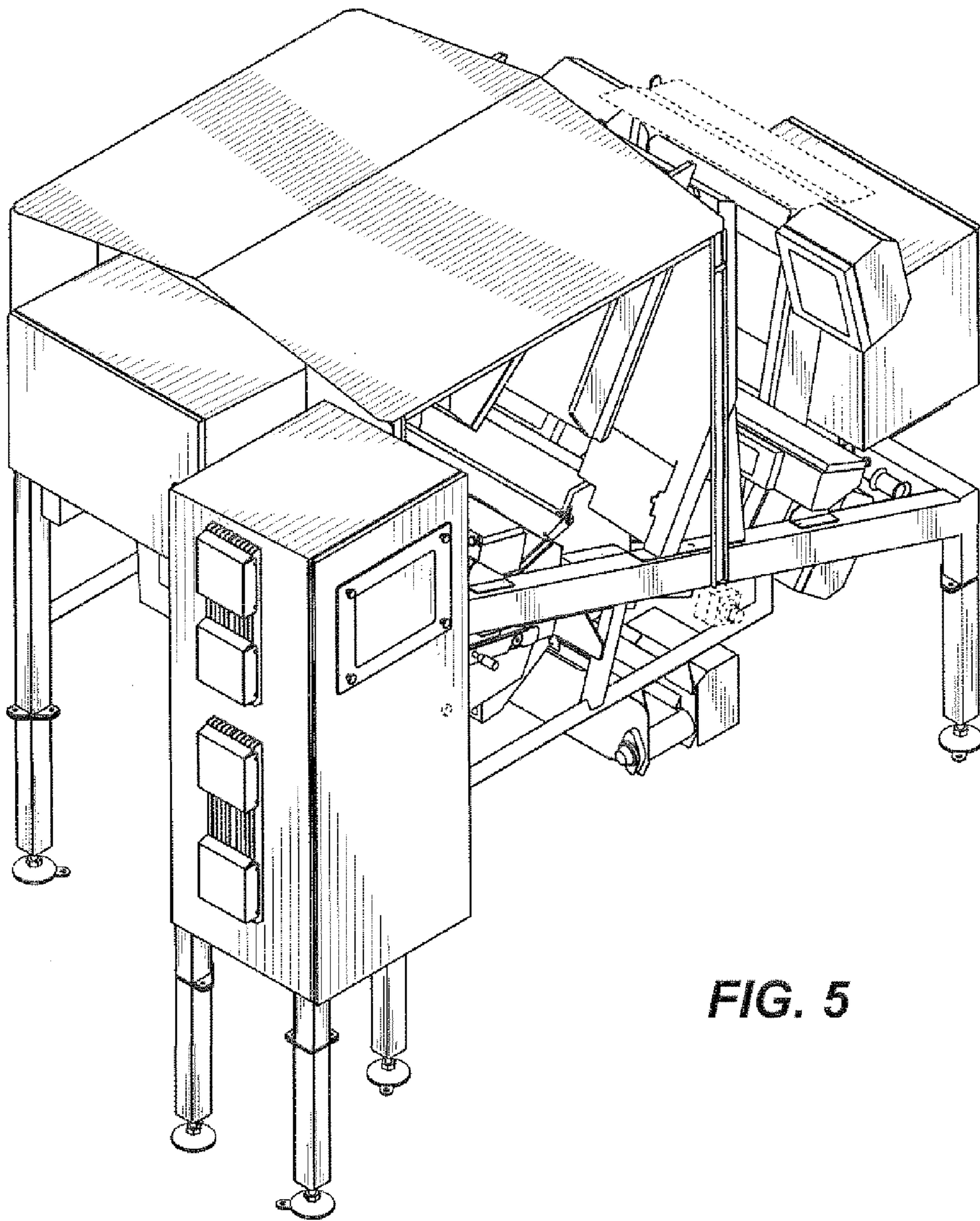


FIG. 5

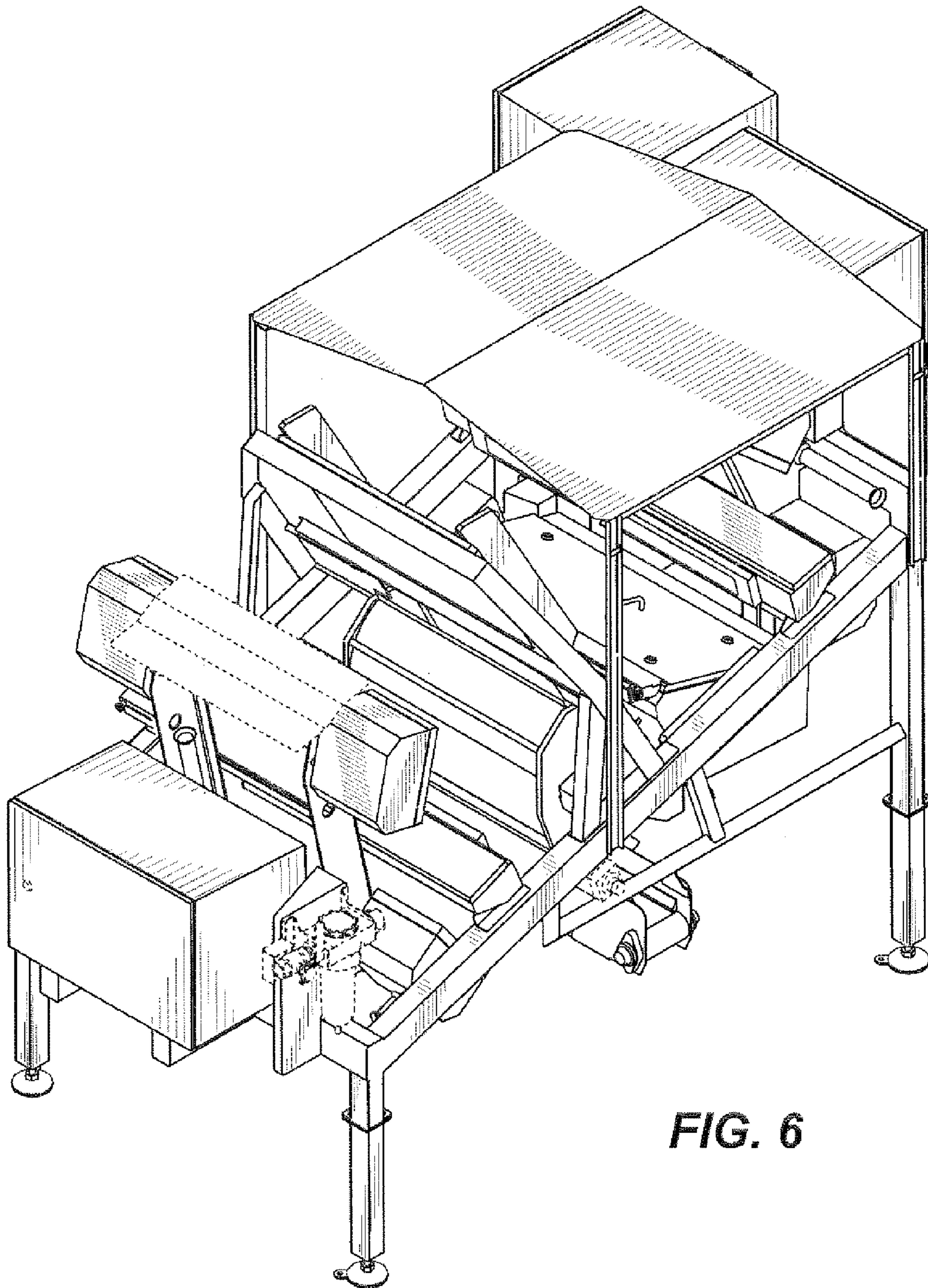


FIG. 6

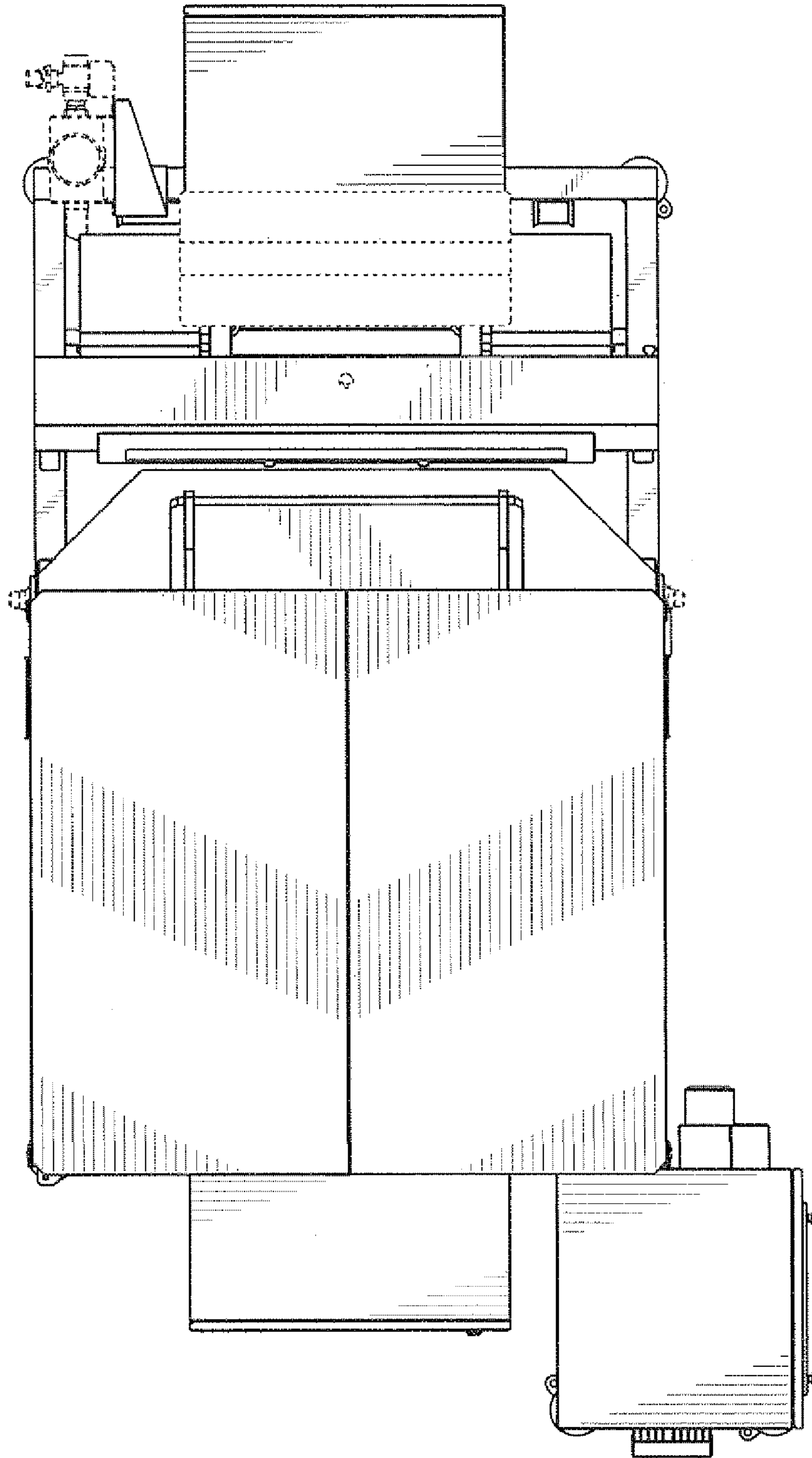


FIG. 7

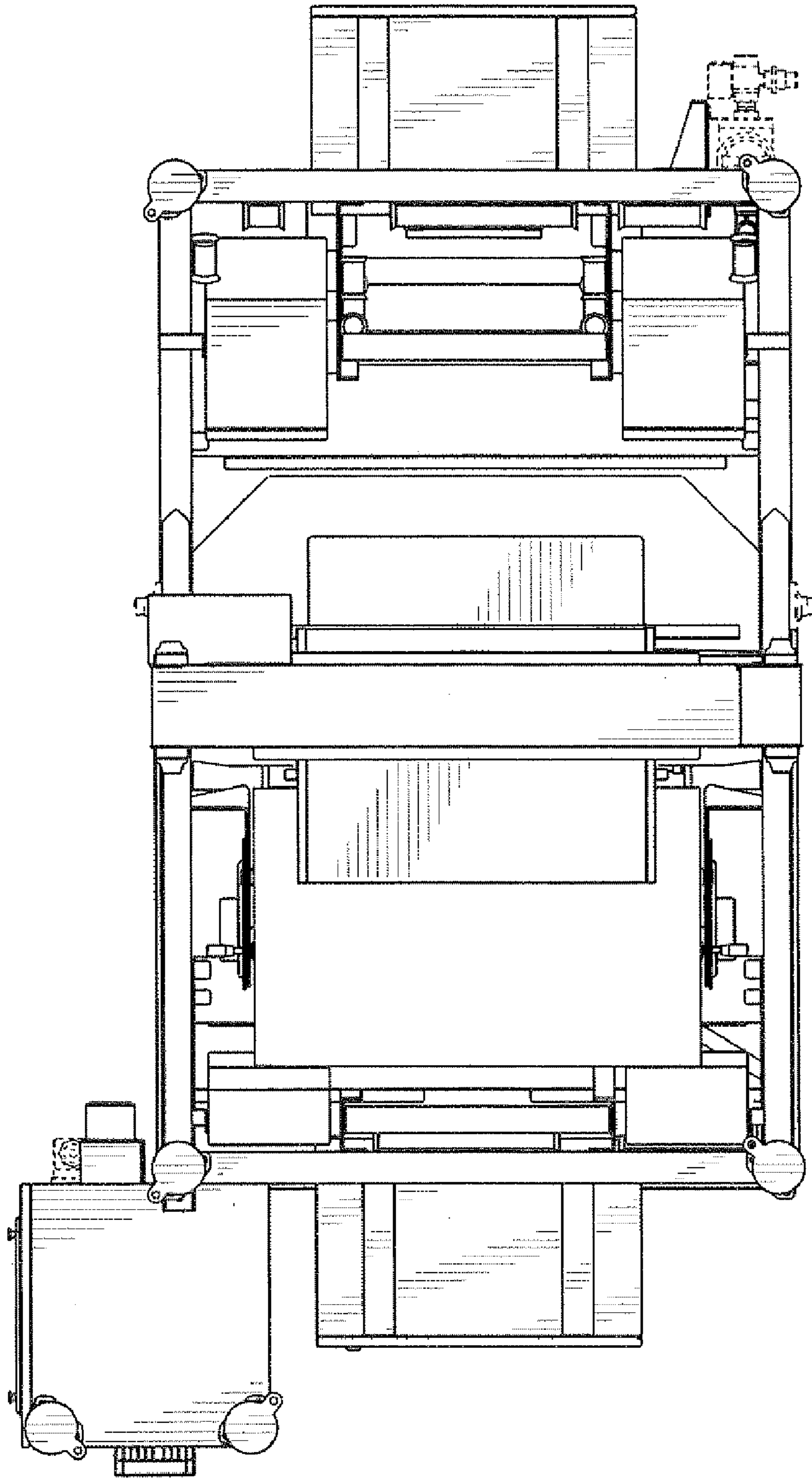


FIG. 8

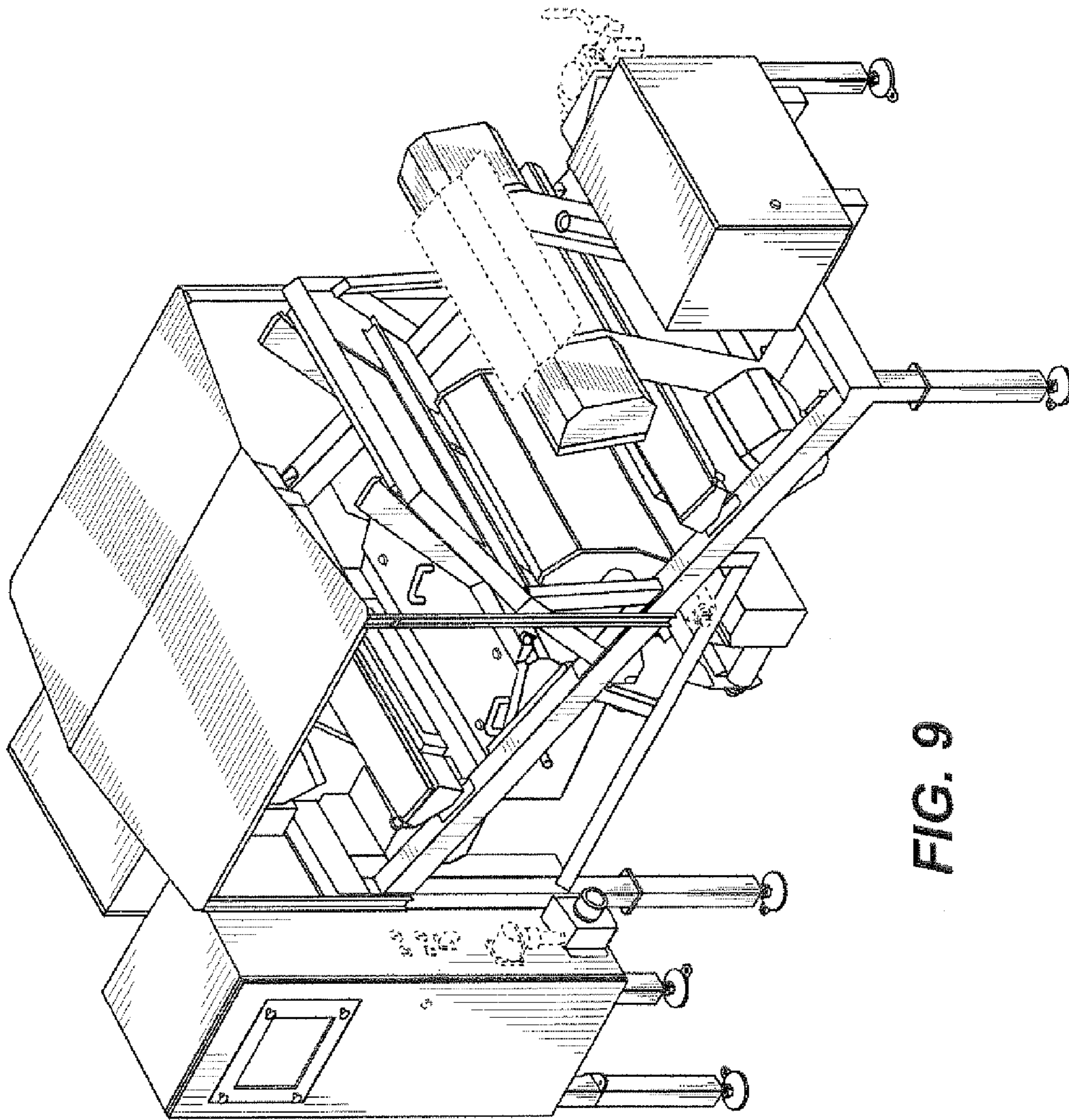


FIG. 9