



US00D652433S

(12) **United States Design Patent**  
**Takeuchi et al.**

(10) **Patent No.:** **US D652,433 S**  
(45) **Date of Patent:** **\*\* Jan. 17, 2012**

(54) **PORTION OF CONSOLE FOR CONSTRUCTION MACHINE**

(75) Inventors: **Akitaka Takeuchi**, Tokyo (JP); **Wataru Isaka**, Mito (JP); **Kazunori Komatsu**, Kasumigaura (JP); **Ei Takahashi**, Ushiku (JP); **Hiroki Nakazono**, Ryugasak (JP); **Hirofumi Oouchi**, Toride (JP)

(73) Assignees: **Hitachi Construction Machinery Co., Ltd.**, Tokyo (JP); **KCM Corporation**, Hyogo (JP)

(\*\*) Term: **14 Years**

(21) Appl. No.: **29/396,136**

(22) Filed: **Jun. 27, 2011**

(30) **Foreign Application Priority Data**

Dec. 27, 2010 (JP) ..... 2010-031119

(51) **LOC (9) Cl.** ..... **15-03**

(52) **U.S. Cl.** ..... **D15/28**

(58) **Field of Classification Search** ..... D15/17, D15/22-26, 28, 31, 33; D12/192, 419, 421; 180/69.2, 69.21, 69.24, 90; 296/70, 30, 72, 296/191, 192, 193.03

See application file for complete search history.

(56) **References Cited**

**U.S. PATENT DOCUMENTS**

D206,322 S \* 11/1966 Ornas Jr. et al. .... D12/192  
3,452,835 A \* 7/1969 Jacobsen et al. .... 180/90  
4,126,202 A \* 11/1978 Hern ..... 180/89.12  
D256,018 S \* 7/1980 Stone et al. .... D15/28  
D365,574 S \* 12/1995 Westimayer et al. .... D15/17

5,725,065 A \* 3/1998 Knurr et al. .... 180/69.2  
D427,613 S \* 7/2000 Altmann et al. .... D15/28  
D428,022 S \* 7/2000 Altmann et al. .... D15/28  
D459,734 S \* 7/2002 Hohnl et al. .... D15/28  
D471,564 S \* 3/2003 Hohnl et al. .... D15/28  
D515,593 S \* 2/2006 Haubrich et al. .... D15/28  
D519,132 S \* 4/2006 Laux et al. .... D15/28  
D534,468 S \* 1/2007 Colburn et al. .... D12/192  
D549,739 S \* 8/2007 Stephens ..... D15/28  
D593,134 S \* 5/2009 Kuwae et al. .... D15/28  
D636,794 S \* 4/2011 Ono et al. .... D15/28  
D640,293 S \* 6/2011 Ono et al. .... D15/28

**FOREIGN PATENT DOCUMENTS**

JP D1233401 3/2005  
JP D1279819 8/2006

\* cited by examiner

*Primary Examiner* — Mark Goodwin

(74) *Attorney, Agent, or Firm* — Antonelli, Terry, Stout & Kraus, LLP.

(57) **CLAIM**

The ornamental design for a portion of console for construction machine, as shown and described.

**DESCRIPTION**

FIG. 1 is a perspective view of a portion of console for construction machine showing our new design.

FIG. 2 is a front view thereof;

FIG. 3 is a rear side view thereof;

FIG. 4 is a left side view thereof;

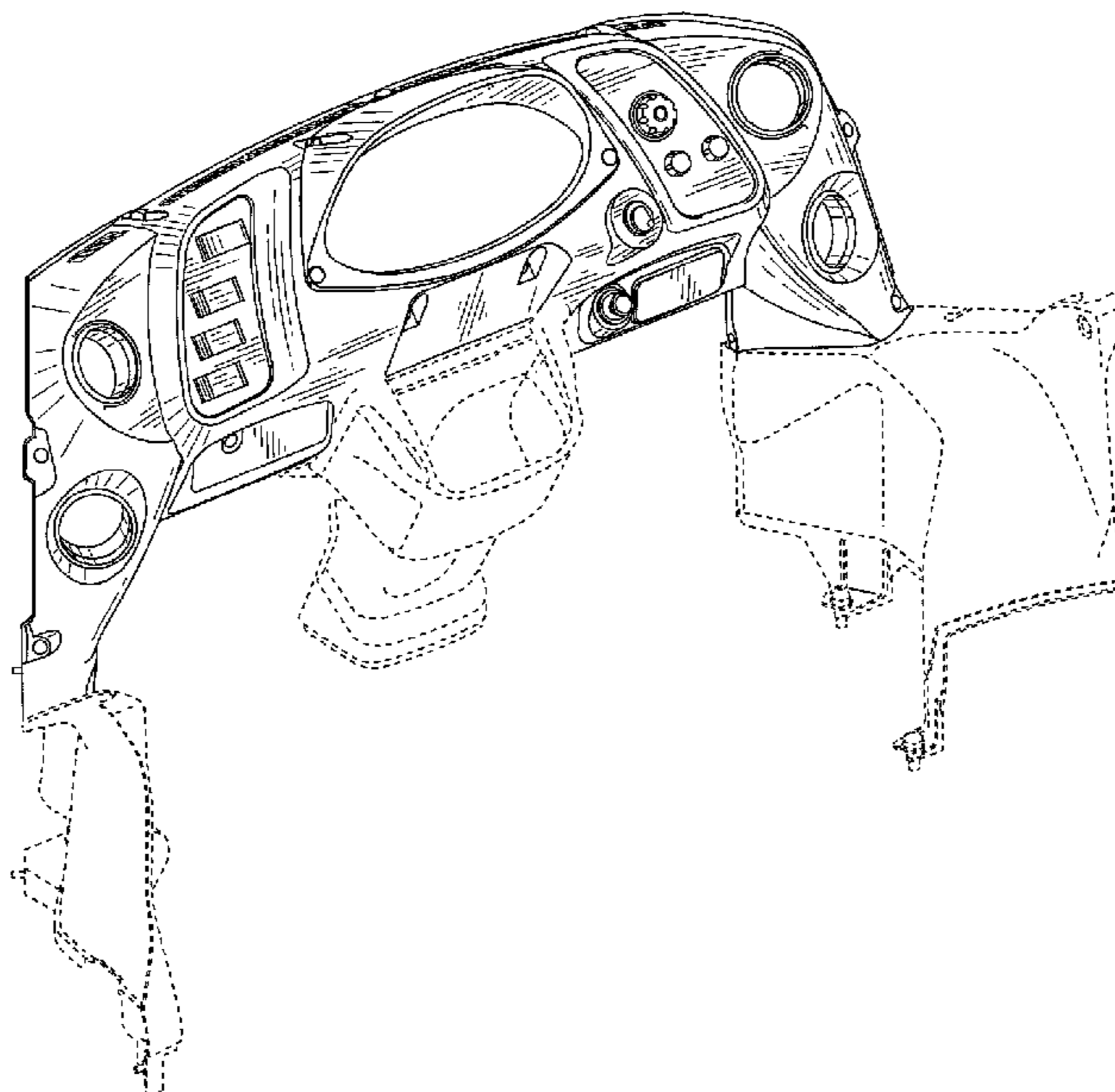
FIG. 5 is a right side view thereof;

FIG. 6 is a top plan view thereof; and,

FIG. 7 is a bottom plan view thereof.

The broken lines are for purpose of illustrating the environment of the claimed design and form no part of the claimed design.

**1 Claim, 6 Drawing Sheets**



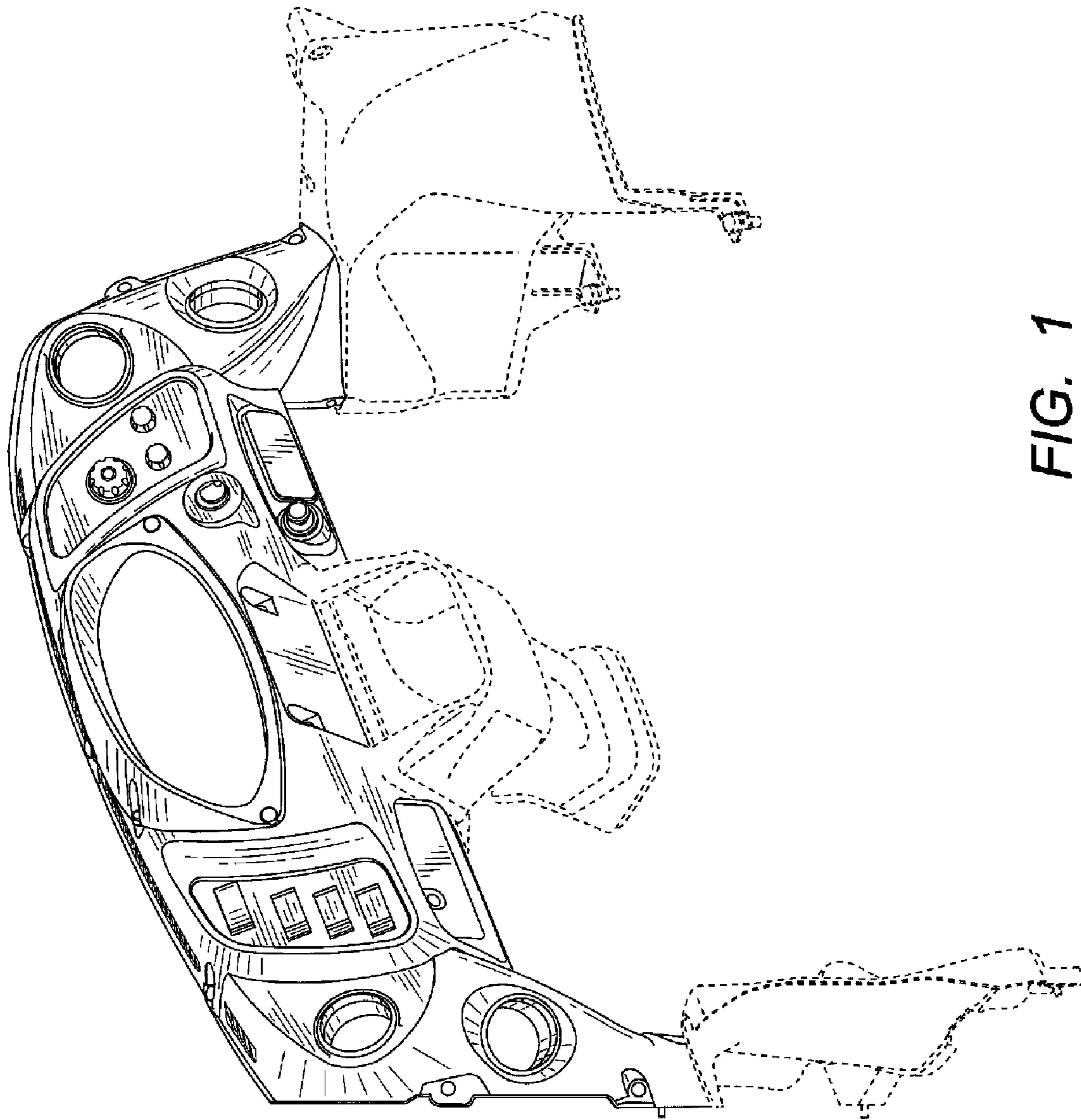


FIG. 1

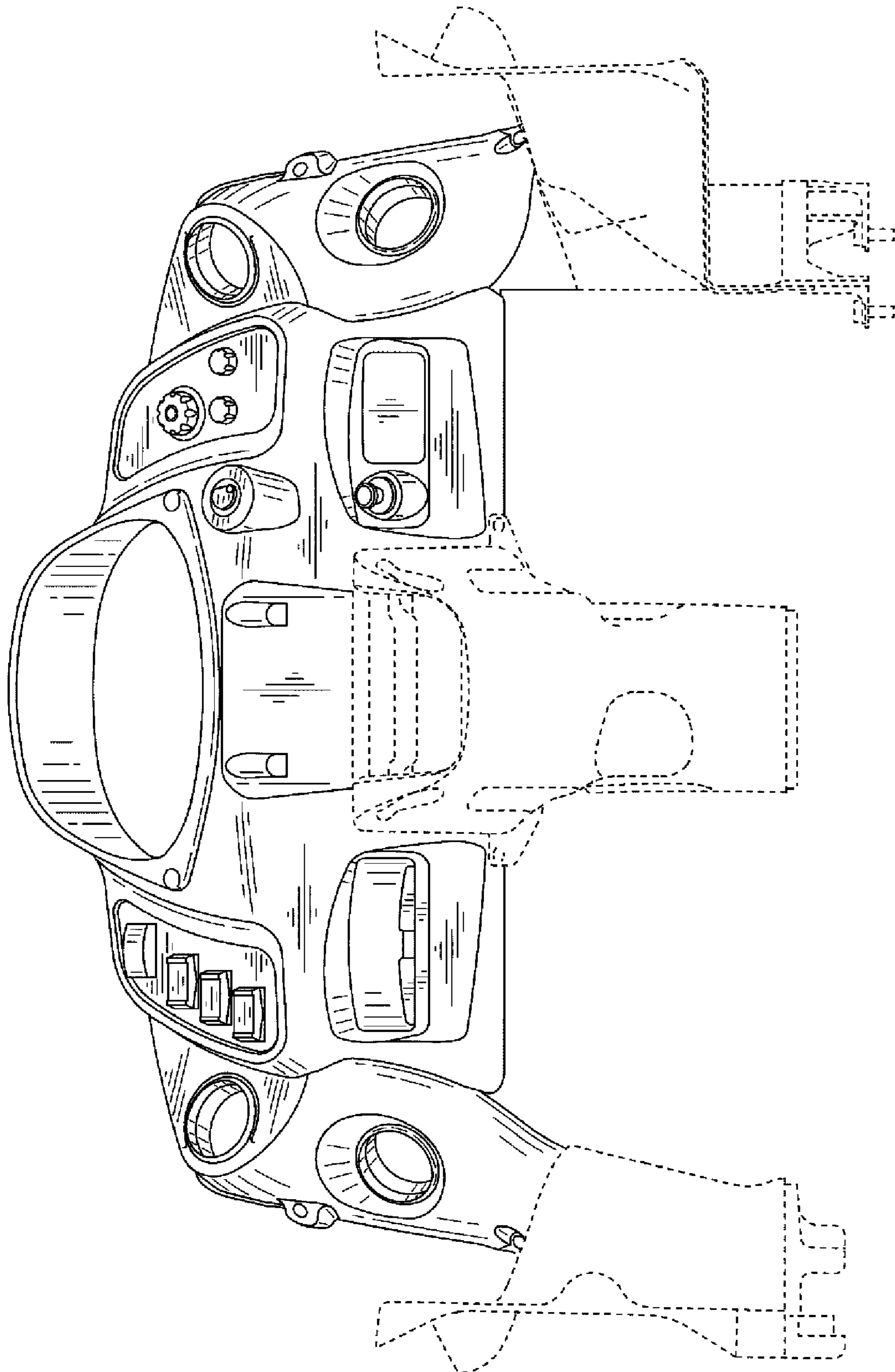


FIG. 2

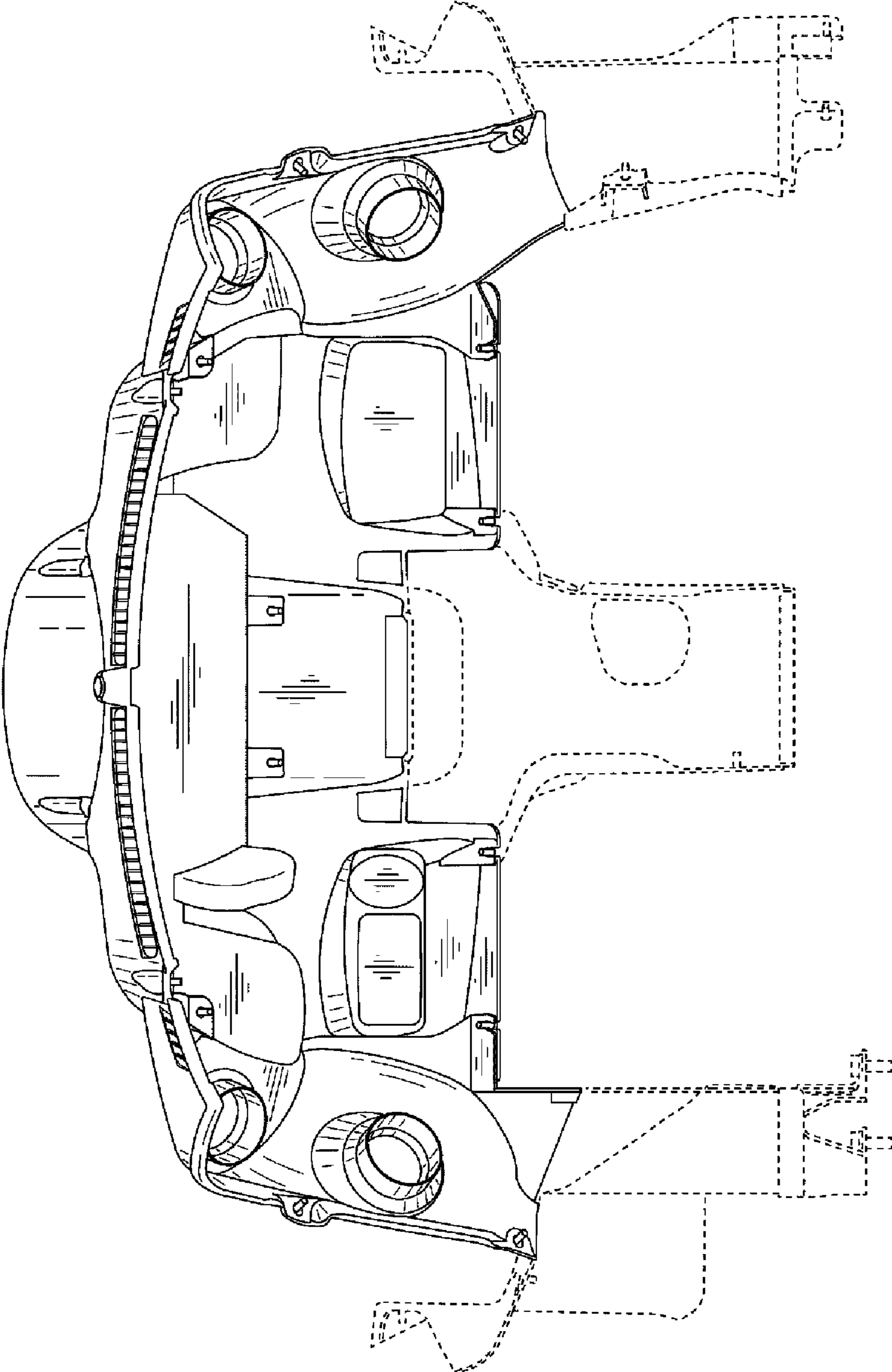


FIG. 3

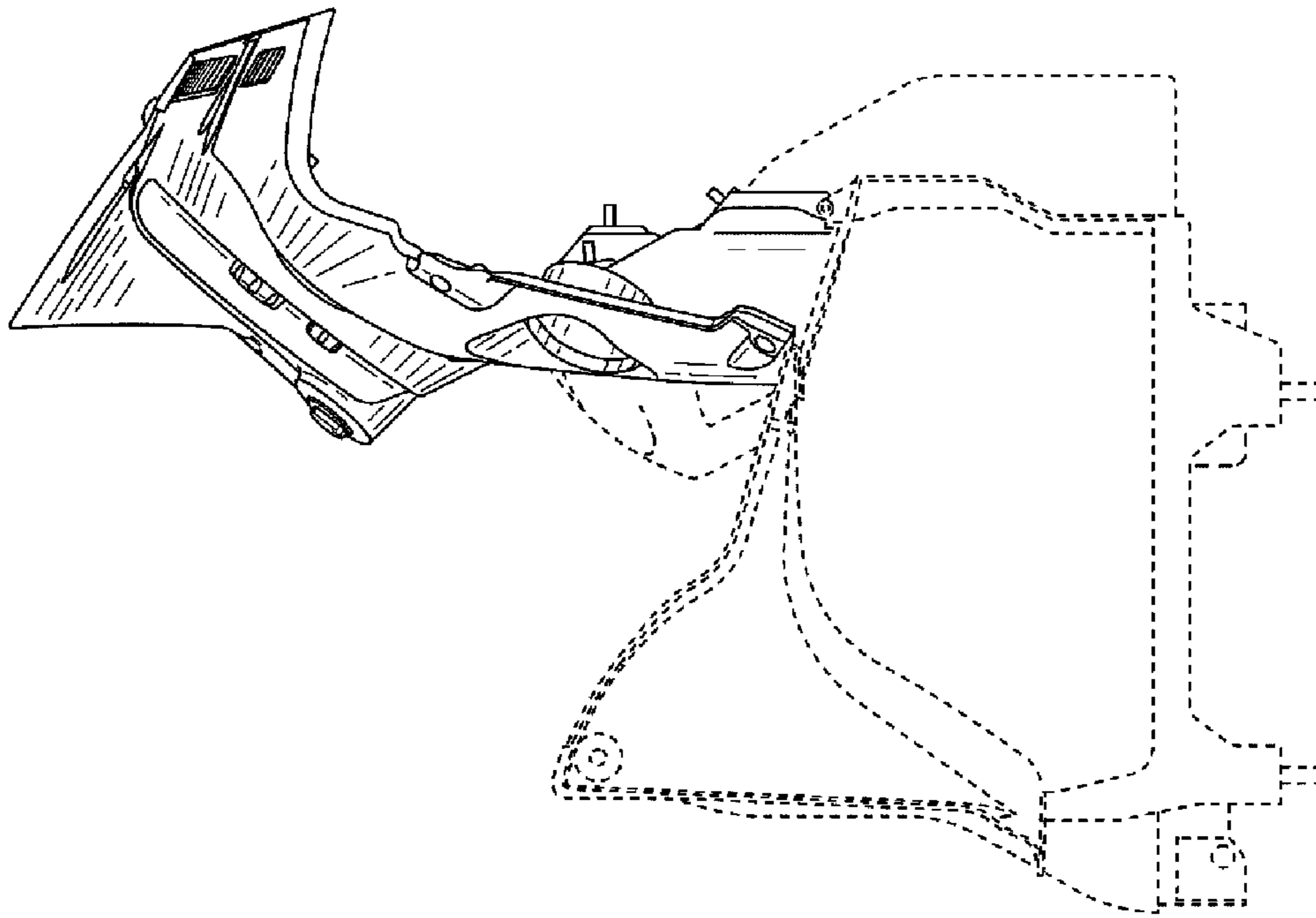


FIG. 5

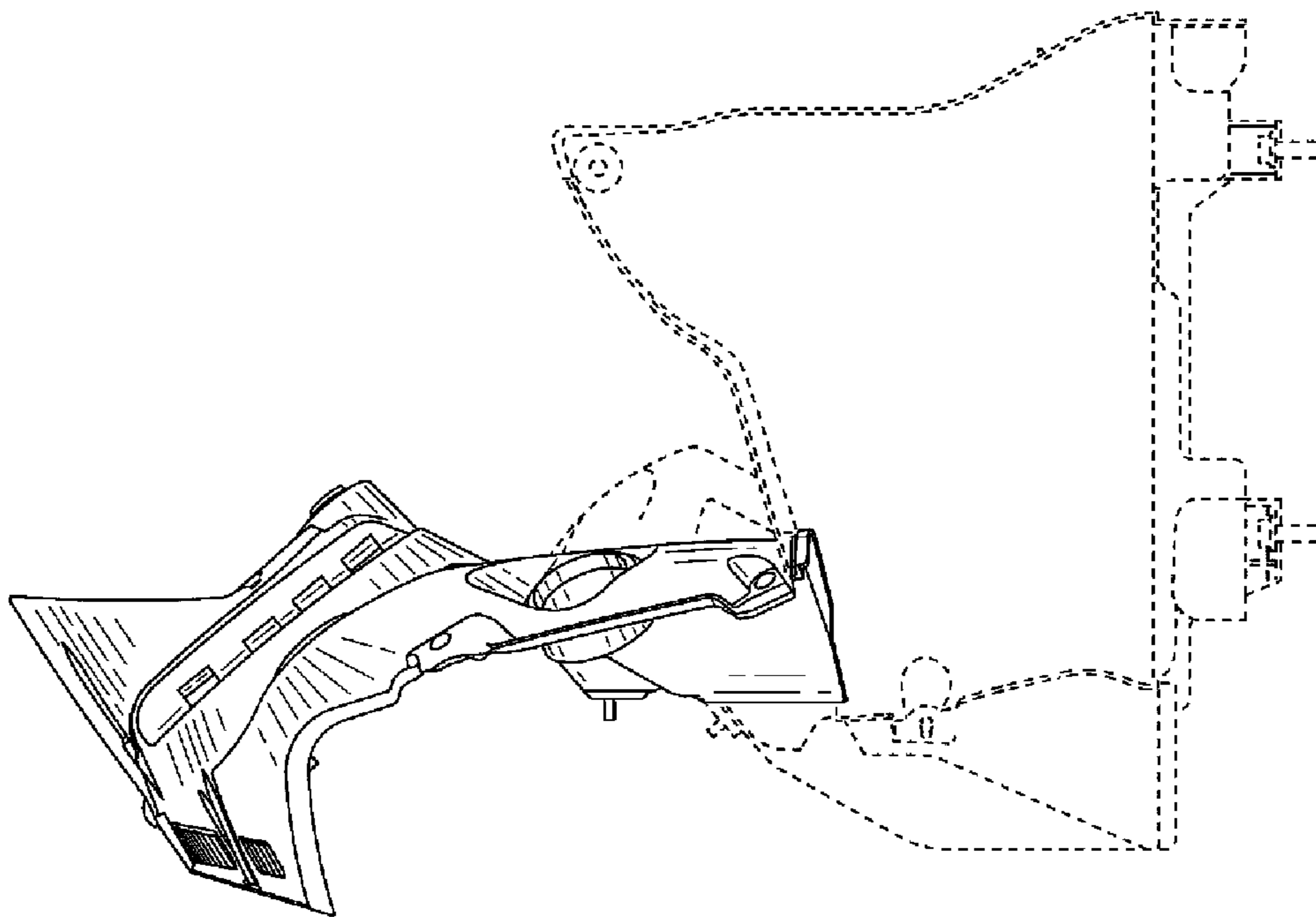


FIG. 4

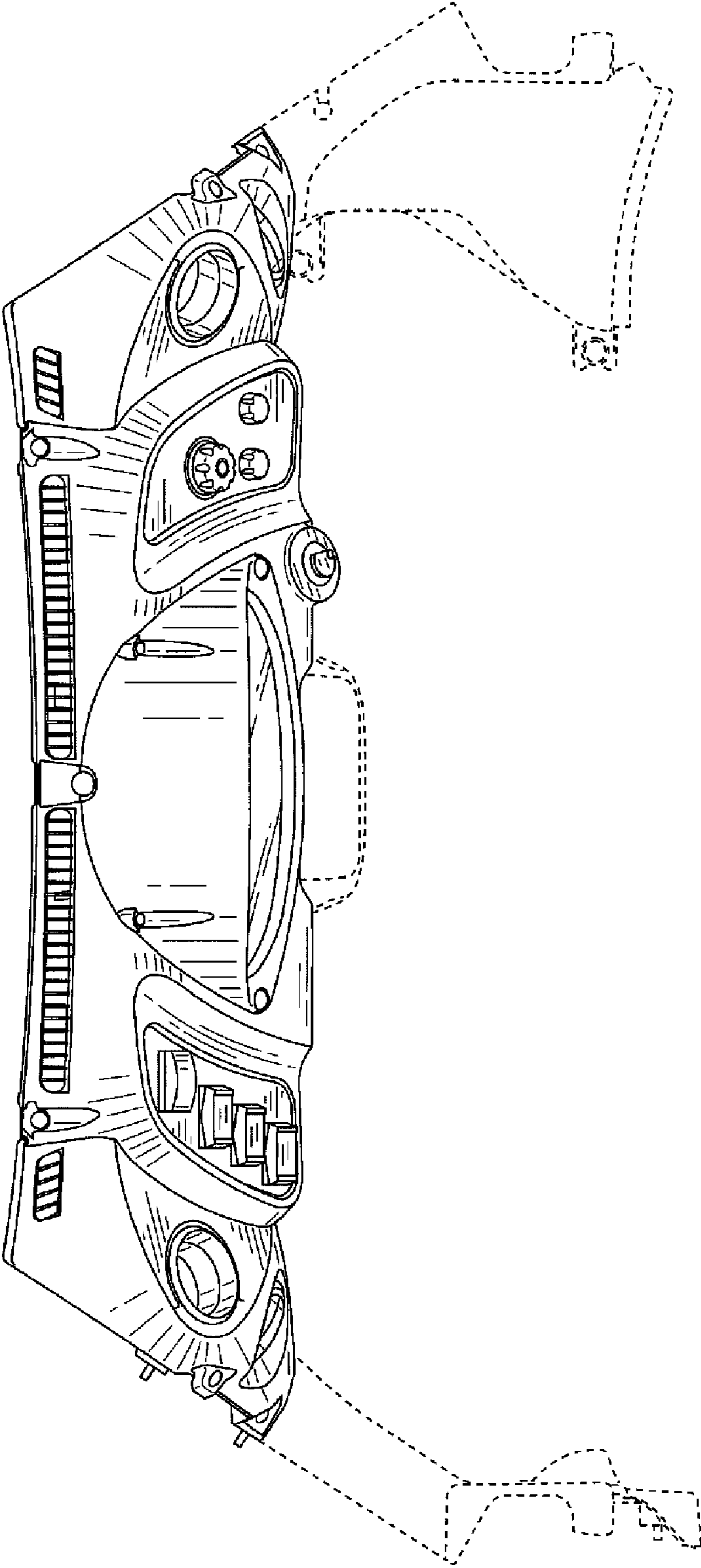


FIG. 6

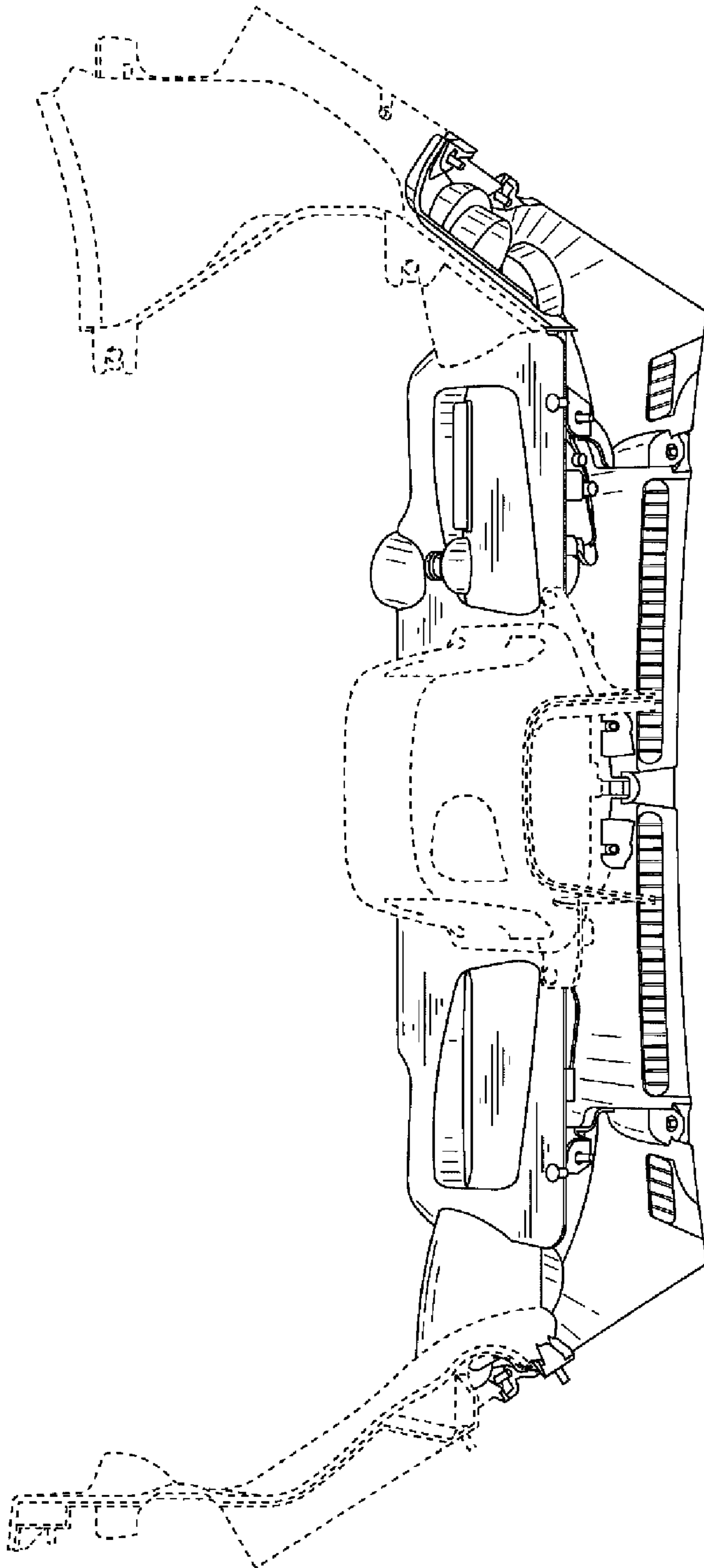


FIG. 7