



US00D652423S

(12) **United States Design Patent**
Sapper

(10) **Patent No.:** **US D652,423 S**
(45) **Date of Patent:** **** Jan. 17, 2012**

(54) **SUPPORT ARM**

FOREIGN PATENT DOCUMENTS

(75) Inventor: **Richard Sapper**, Milan (IT)

GB 2 440 606 2/2008
(Continued)

(73) Assignee: **Knoll, Inc.**, East Greenville, PA (US)

OTHER PUBLICATIONS

(**) Term: **14 Years**

Herman Miller website materials showing products sold under the Herman Miller trade name, date of publication unknown but prior to filing of the patent application.

(21) Appl. No.: **29/363,286**

(Continued)

(22) Filed: **Jun. 8, 2010**

Primary Examiner — Angela J Lee

(51) **LOC (9) Cl.** **08-07**

(74) *Attorney, Agent, or Firm* — Buchanan Ingersoll & Rooney PC

(52) **U.S. Cl.** **D14/452**

(58) **Field of Classification Search** D14/447,
D14/451, 452, 448, 457, 432, 434, 440, 217,
D14/250, 251, 253, 239, 373; D3/218; D6/406.3,
D6/406.4, 406.5, 406.6; D8/363, 373, 380;
248/917-924, 139, 149, 150, 155.2, 371,
248/415, 176.3, 324, 687, 688, 441.1, 447,
248/454, 455, 456, 457, 460; 361/679.04,
361/679.05, 679.06, 679.02, 679.07, 679.09,
361/679.21, 679.26, 679.3, 379.55, 679.56

(57) **CLAIM**

The ornamental design for a support arm, as shown and described.

See application file for complete search history.

DESCRIPTION

FIG. 1 is a perspective view of my support arm;
FIG. 2 is a front elevational view of my support arm;
FIG. 3 is a rear elevational view of my support arm;
FIG. 4 is a left side elevational view of my support arm;
FIG. 5 is a right side elevational view of my support arm;
FIG. 6 is a top plan view of my support arm; and,
FIG. 7 is a bottom plan view of my support arm.
The recesses formed in the mounting plates shown in broken lines in FIGS. 1, 2 and 3 form no part of the claimed design. Also, the ribbing shown in broken lines in FIGS. 4, 5 and 7 forms no part of the claimed design. The circular features shown in broken lines in FIG. 7 forms no part of the claimed design. Further, the Allen wrenches attached to the mounting plates shown in broken lines in FIGS. 1, 4, 5, 6 and 7 form no part of the claimed design.

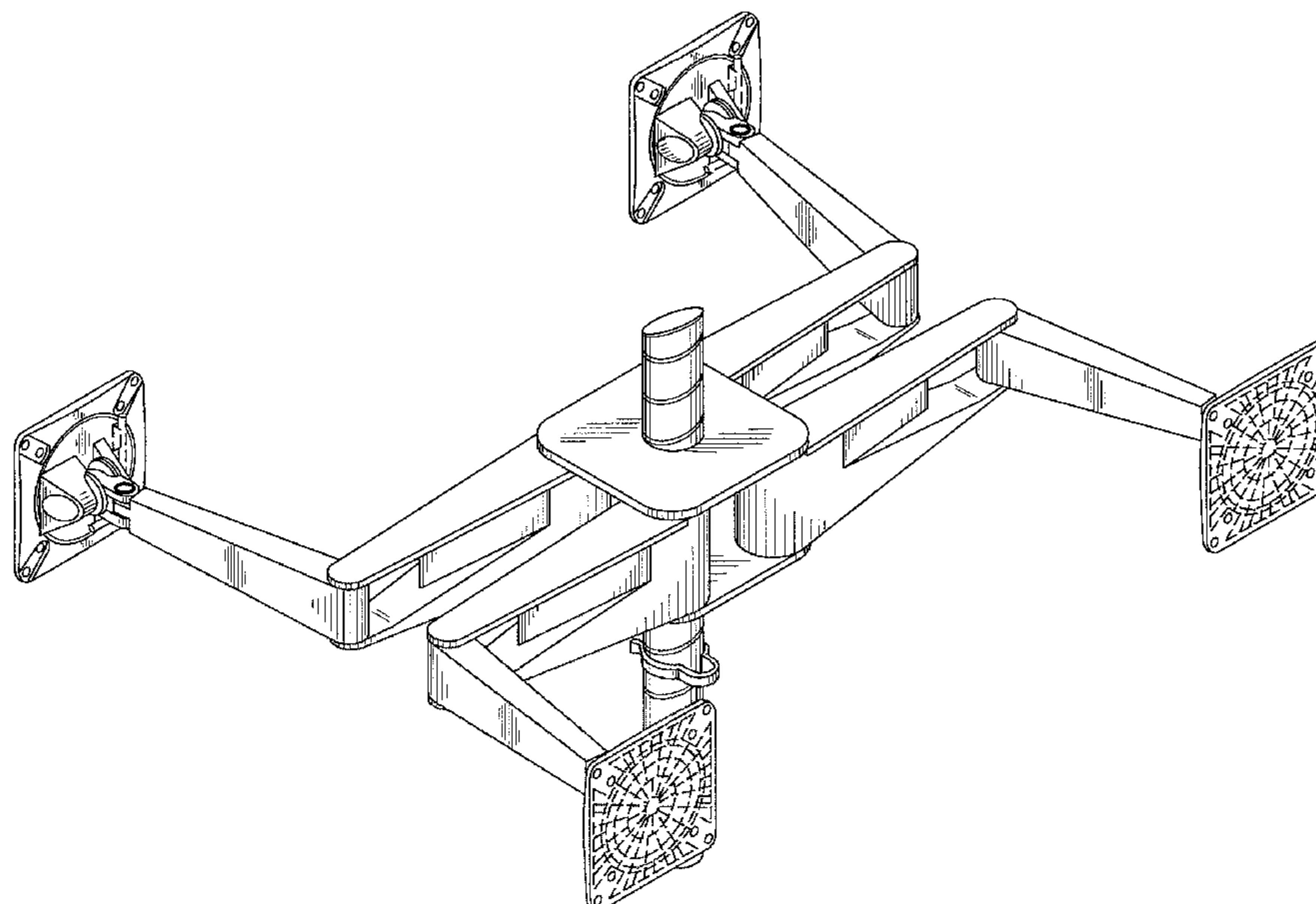
(56) **References Cited**

U.S. PATENT DOCUMENTS

5,553,820	A	9/1996	Karten et al.
5,687,939	A	11/1997	Moscovitch
5,992,809	A	11/1999	Sweere et al.
D430,570	S	9/2000	Lee
6,343,006	B1	1/2002	Moscovitch et al.
6,499,704	B2	12/2002	Oddsens, Jr.
6,505,988	B1	1/2003	Oddsens, Jr.

(Continued)

1 Claim, 7 Drawing Sheets



US D652,423 S

Page 2

U.S. PATENT DOCUMENTS

6,554,235	B1	4/2003	Fortier	
6,554,238	B1	4/2003	Hibberd	
6,679,090	B1	1/2004	Finch, Jr.	
6,695,270	B1 *	2/2004	Smed	248/274.1
6,739,096	B2	5/2004	Feldpausch et al.	
6,863,252	B2	3/2005	Bosson	
D503,719	S	4/2005	Lin	
6,905,101	B1	6/2005	Dittmer	
D518,063	S	3/2006	Piazza et al.	
7,014,157	B2	3/2006	Oddsens	
D522,009	S	5/2006	Chen	
7,048,242	B2	5/2006	Oddsens, Jr.	
7,061,754	B2 *	6/2006	Moscovitch	361/679.21
D537,323	S	2/2007	Saez	
7,182,301	B1	2/2007	Oddsens, Jr. et al.	
7,195,215	B2	3/2007	Lin	
7,246,780	B2	7/2007	Oddsens, Jr.	
7,252,277	B2	8/2007	Sweere et al.	
7,264,212	B2	9/2007	Hung	
7,317,613	B2 *	1/2008	Quijano et al.	361/679.41
7,331,551	B2 *	2/2008	Oddsens, Jr.	248/279.1
D563,399	S	3/2008	Wohlford et al.	
D568,325	S	5/2008	Muday et al.	
7,369,401	B1	5/2008	Floersch et al.	
7,389,965	B2	6/2008	Oddsens, Jr. et al.	
7,395,995	B2	7/2008	Chen	
7,448,584	B2 *	11/2008	Chen et al.	248/278.1
D584,734	S	1/2009	Chu	
D593,104	S	5/2009	Gillespie	
7,529,083	B2 *	5/2009	Jeong	361/679.04
D595,294	S *	6/2009	Woodward et al.	D14/373
7,621,500	B2	11/2009	Ishizaki et al.	

D606,548	S	12/2009	Sapper	
D621,842	S *	8/2010	Sapper	D14/452
7,793,907	B2 *	9/2010	Woodward et al.	248/317
D628,574	S *	12/2010	Woodward et al.	D14/373
D629,808	S *	12/2010	Sapper	D14/452
D632,301	S *	2/2011	Kasuga et al.	D14/452
2003/0075653	A1	4/2003	Li	
2003/0231460	A1	12/2003	Moscovitch	
2004/0035987	A1 *	2/2004	Oddsens, Jr.	248/121
2005/0133678	A1	6/2005	Dittmer	
2005/0284991	A1	12/2005	Saez	
2005/0284997	A1	12/2005	Tisbo et al.	
2006/0266909	A1	11/2006	Oddsens, Jr. et al.	
2007/0205340	A1	9/2007	Jung	
2008/0164395	A1	7/2008	Chang et al.	
2008/0237439	A1	10/2008	Oddsens	
2009/0090831	A1	4/2009	Henning et al.	

FOREIGN PATENT DOCUMENTS

WO	2007/118862	10/2007
WO	2007/137905	12/2007
WO	2008/012368	1/2008
WO	2008/022873	2/2008
WO	2008/091998	7/2008
WO	2008/113860	9/2008

OTHER PUBLICATIONS

Steelcase website materials showing products sold under the Steelcase trade name, date of publication unknown but prior to the filing of the patent application.

* cited by examiner

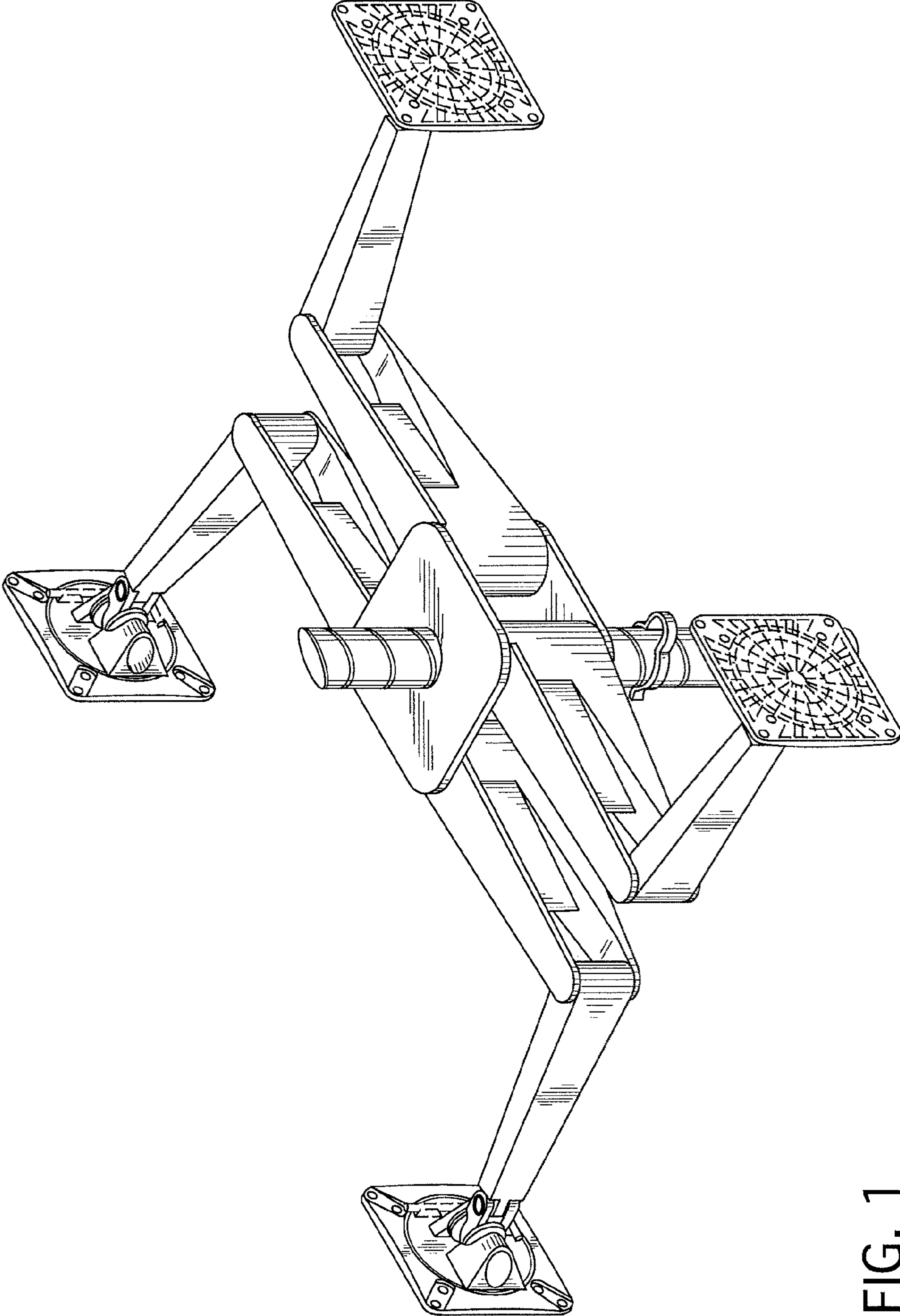


FIG. 1

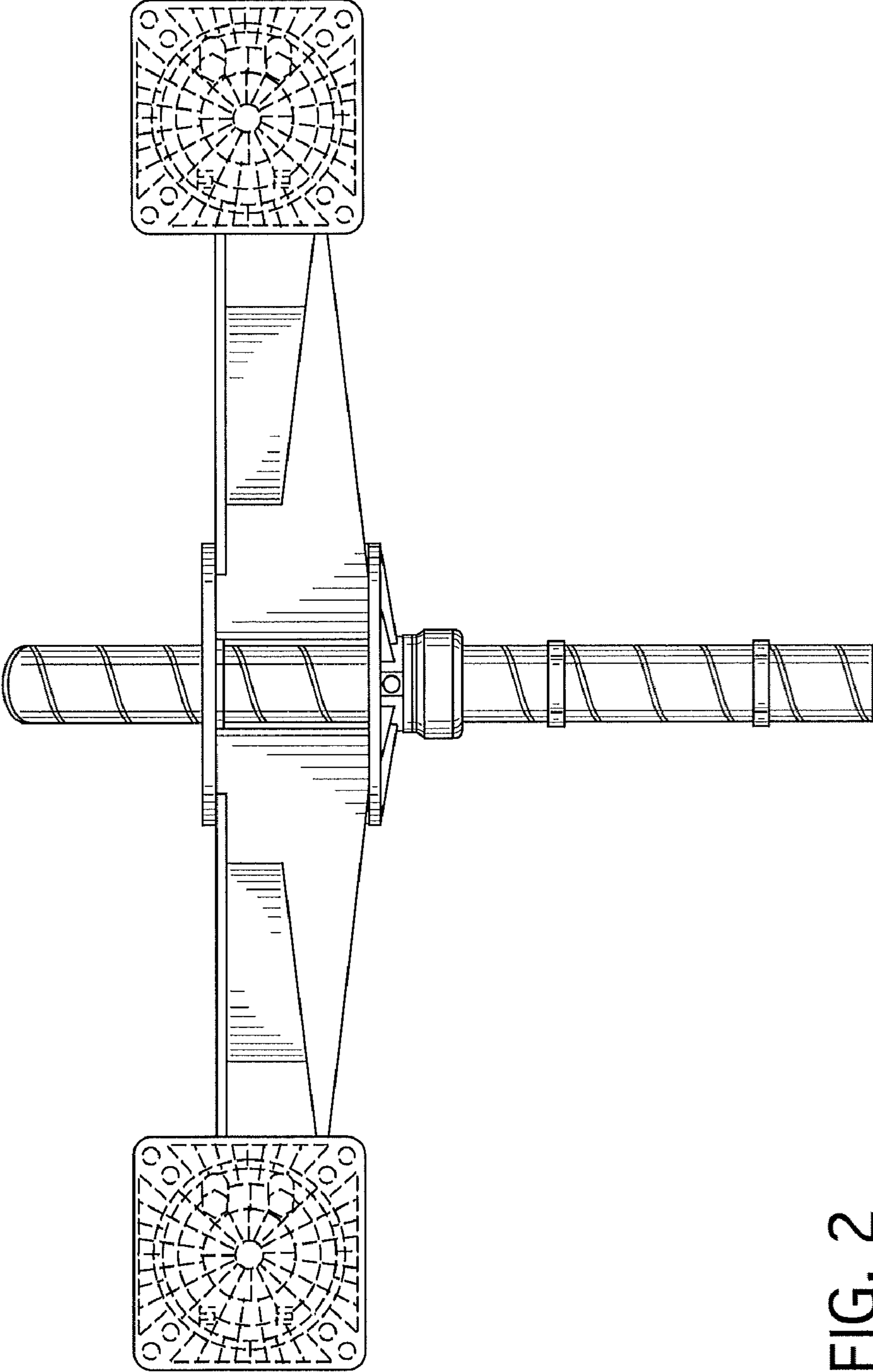


FIG. 2

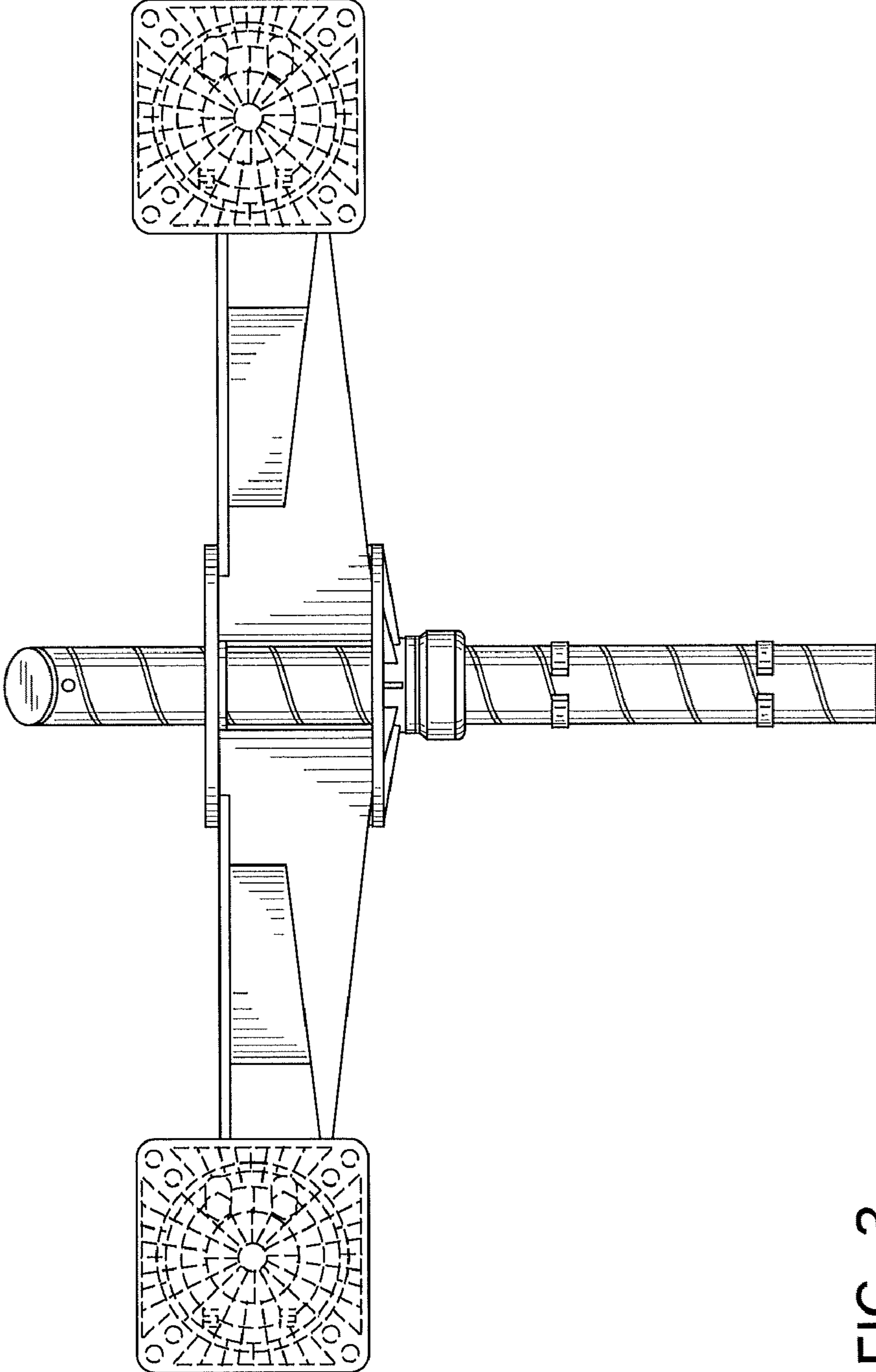


FIG. 3

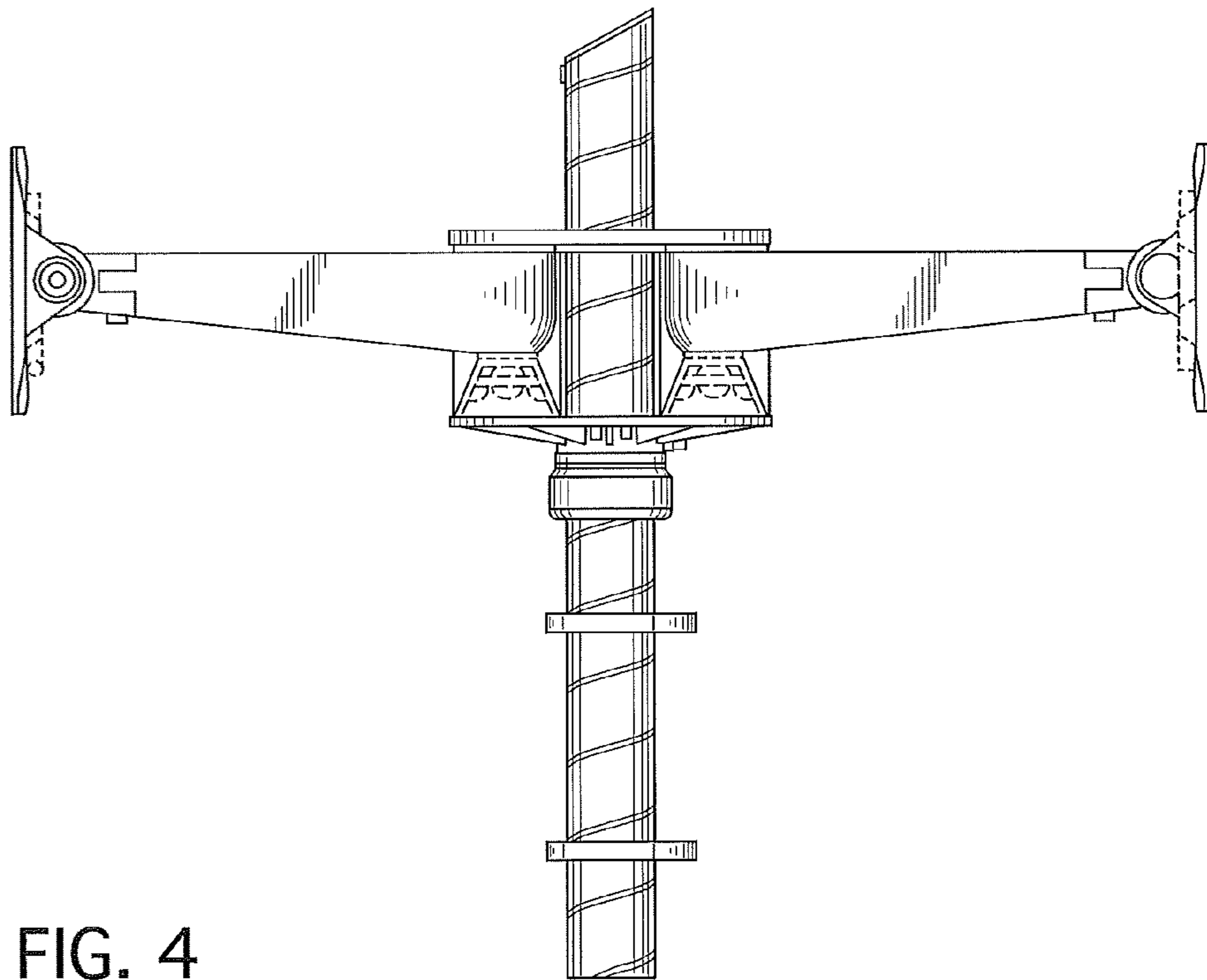


FIG. 4

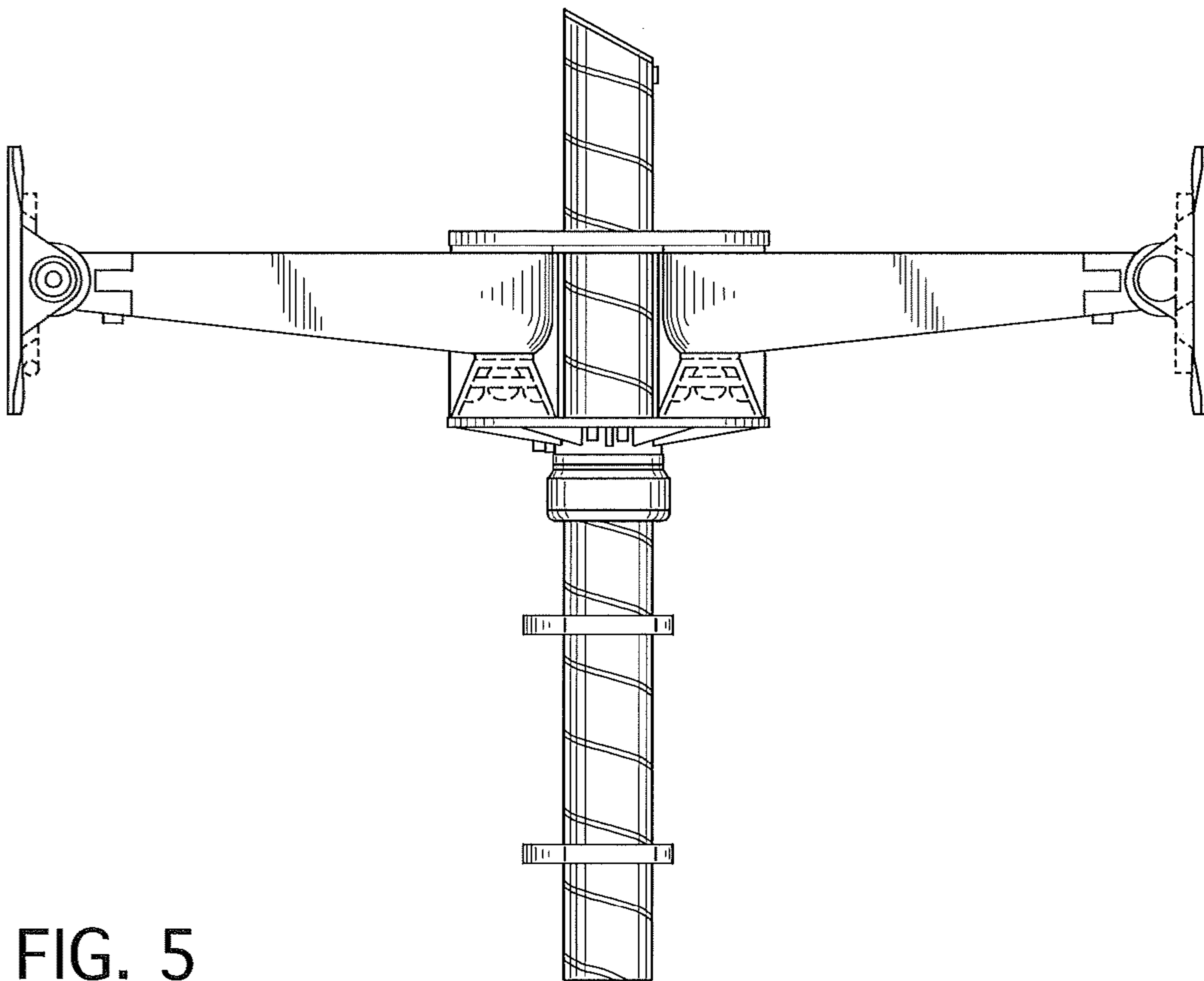


FIG. 5

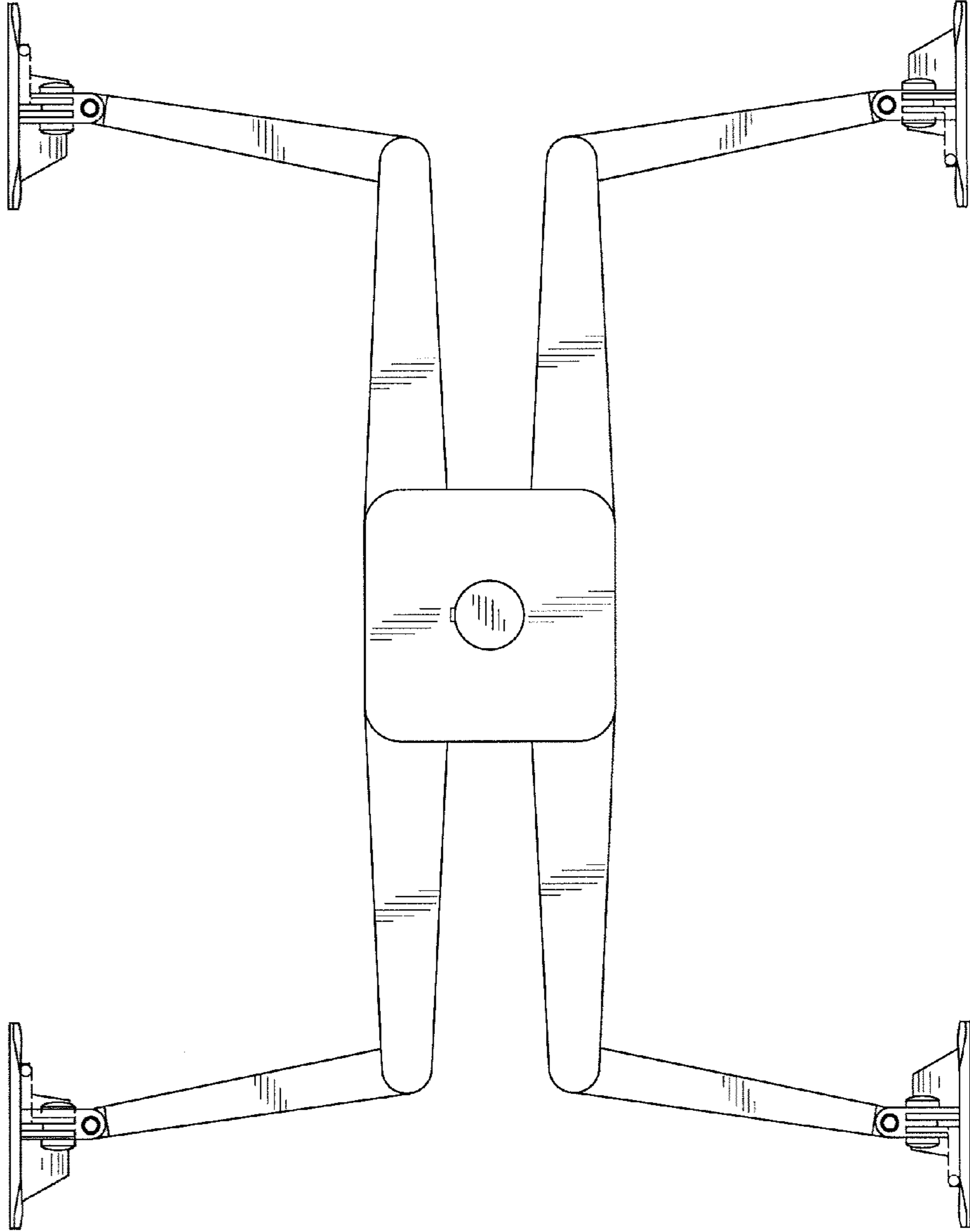


FIG. 6

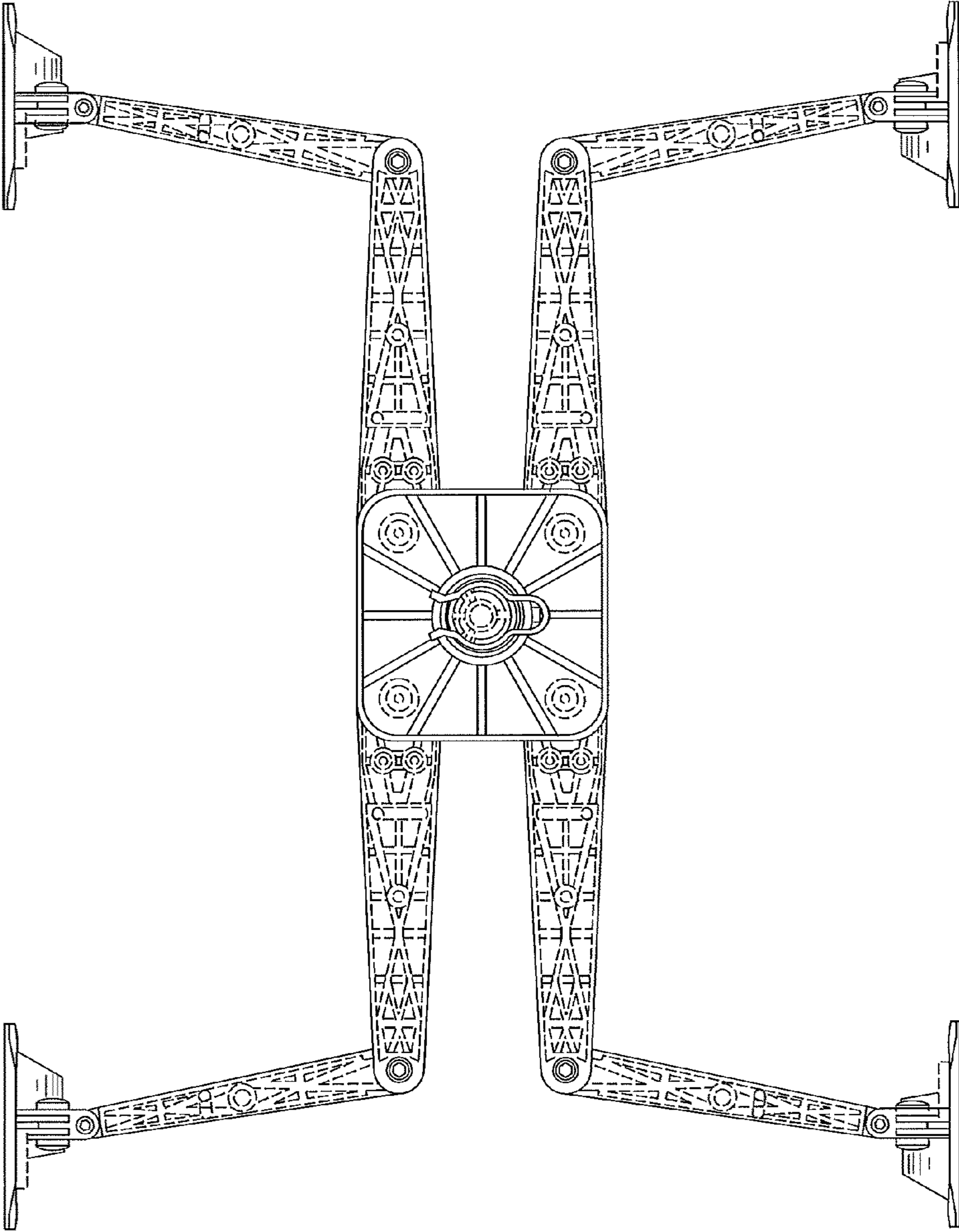


FIG. 7