



US00D652422S

(12) **United States Design Patent**
Cheng

(10) **Patent No.:** **US D652,422 S**
(45) **Date of Patent:** **** Jan. 17, 2012**

(54) **SUPPORTING DEVICE**
(75) Inventor: **Quan-Chang Cheng**, Shenzhen (CN)
(73) Assignee: **Hon Hai Precision Co., Ltd.**, Tu-Cheng,
New Taipei (TW)
(**) Term: **14 Years**
(21) Appl. No.: **29/390,274**
(22) Filed: **Apr. 22, 2011**
(51) **LOC (9) Cl.** **08-07**
(52) **U.S. Cl.** **D14/447; D14/253**
(58) **Field of Classification Search** D14/140,
D14/142, 147-149, 217, 240, 251-253, 432,
D14/434, 447, 452, 454, 496, 144, 451, 457;
D8/363, 373; D12/415, 418, 422; 248/206.2-206.4,
248/220.21, 279.1; 379/426, 446, 454, 455;
D13/107-108; D16/242; D21/333; 361/679;
320/115; 455/572
See application file for complete search history.

D578,130 S * 10/2008 Sween et al. D14/447
D589,962 S * 4/2009 Maruyama et al. D14/432
D597,557 S * 8/2009 Hu D14/496
D616,431 S * 5/2010 Hijmans D14/253
7,830,661 B2 * 11/2010 Sween et al. 361/695
D640,708 S * 6/2011 Lee D14/447
D642,124 S * 7/2011 Budike, Jr. D13/108
D643,845 S * 8/2011 Hong D14/447
D647,881 S * 11/2011 Warner D14/217

OTHER PUBLICATIONS

Portable Plastic Holder Stand Bracket for iPad / iPad 2 / Other Tablet
PC, <URL:http://www.tvc-mall.com/details/Portable-iPad-Stand-
Holder-Support-IPAD-227/>, retrieved from the internet Nov. 16,
2011.*

* cited by examiner

Primary Examiner — Carla Wright
(74) *Attorney, Agent, or Firm* — Altis Law Group, Inc.

(57) **CLAIM**
The ornamental design for a supporting device, as shown and
described.

(56) **References Cited**

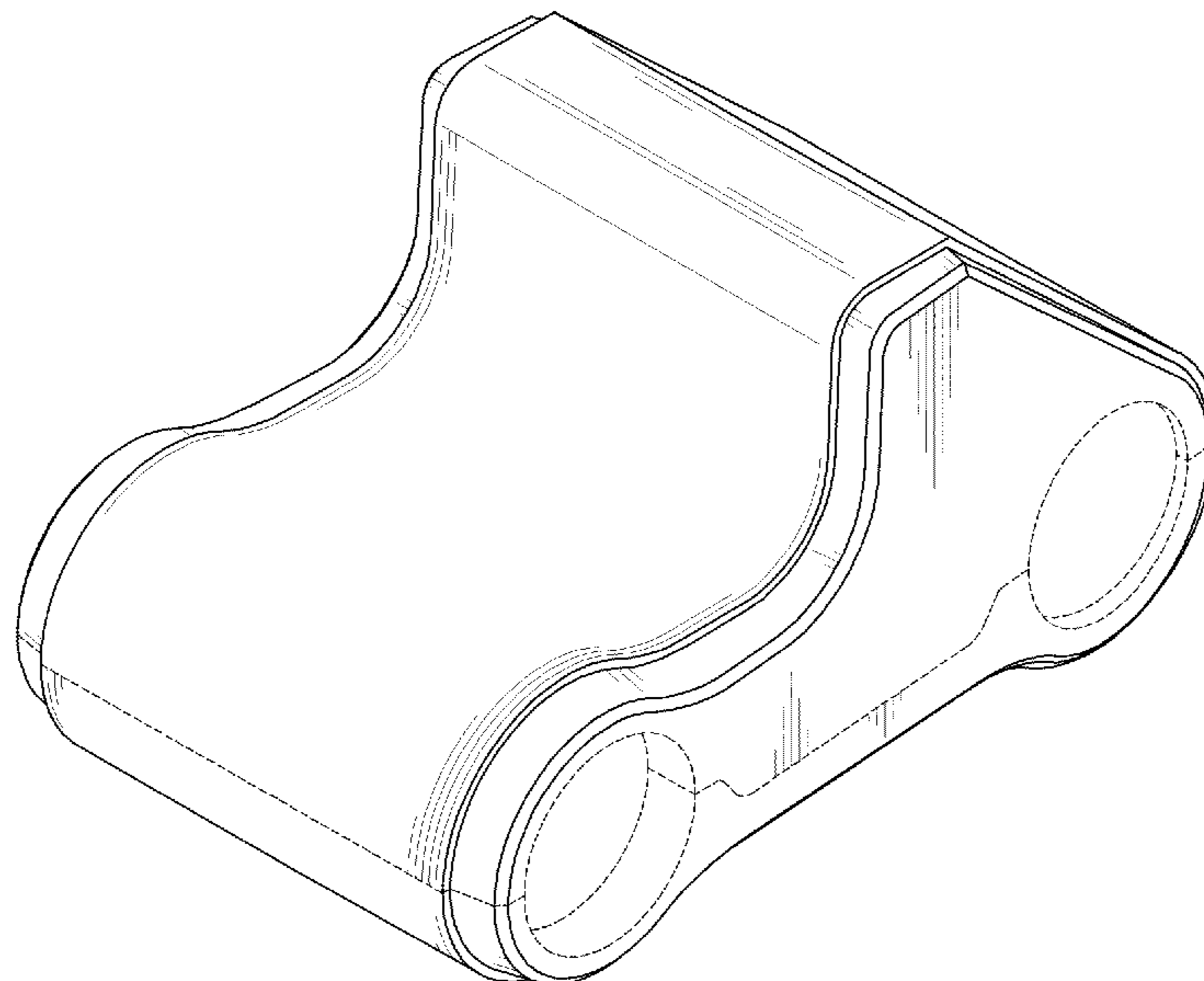
U.S. PATENT DOCUMENTS

D215,536 S * 10/1969 Larsen D6/601
D246,626 S * 12/1977 Shenk D6/601
D281,064 S * 10/1985 Scheid D13/107
D398,914 S * 9/1998 Pulver D14/447
6,483,698 B1 * 11/2002 Loh 361/679.41
D475,054 S * 5/2003 Blackwood et al. D14/434
D476,621 S * 7/2003 Chunn et al. D13/108
D494,963 S * 8/2004 Schwimmer et al. D14/253
D500,297 S * 12/2004 Chan D14/148
D510,357 S * 10/2005 Lye D14/447
D511,745 S * 11/2005 Lamason et al. D13/108
D557,259 S * 12/2007 Hirsch D14/217
D561,763 S * 2/2008 Dinesh D14/434
D574,375 S * 8/2008 Prest et al. D14/253

DESCRIPTION

FIG. 1 is a perspective view of a supporting device showing
our design;
FIG. 2 is a front elevational view thereof;
FIG. 3 is a rear elevational view thereof;
FIG. 4 is a left side, elevational view thereof;
FIG. 5 is a right side, elevational view thereof;
FIG. 6 is a top plan view thereof; and,
FIG. 7 is a bottom plan view thereof.
The broken lines in the figures are for the purpose of illus-
trating environmental structures that form no part of the
claimed design.

1 Claim, 7 Drawing Sheets



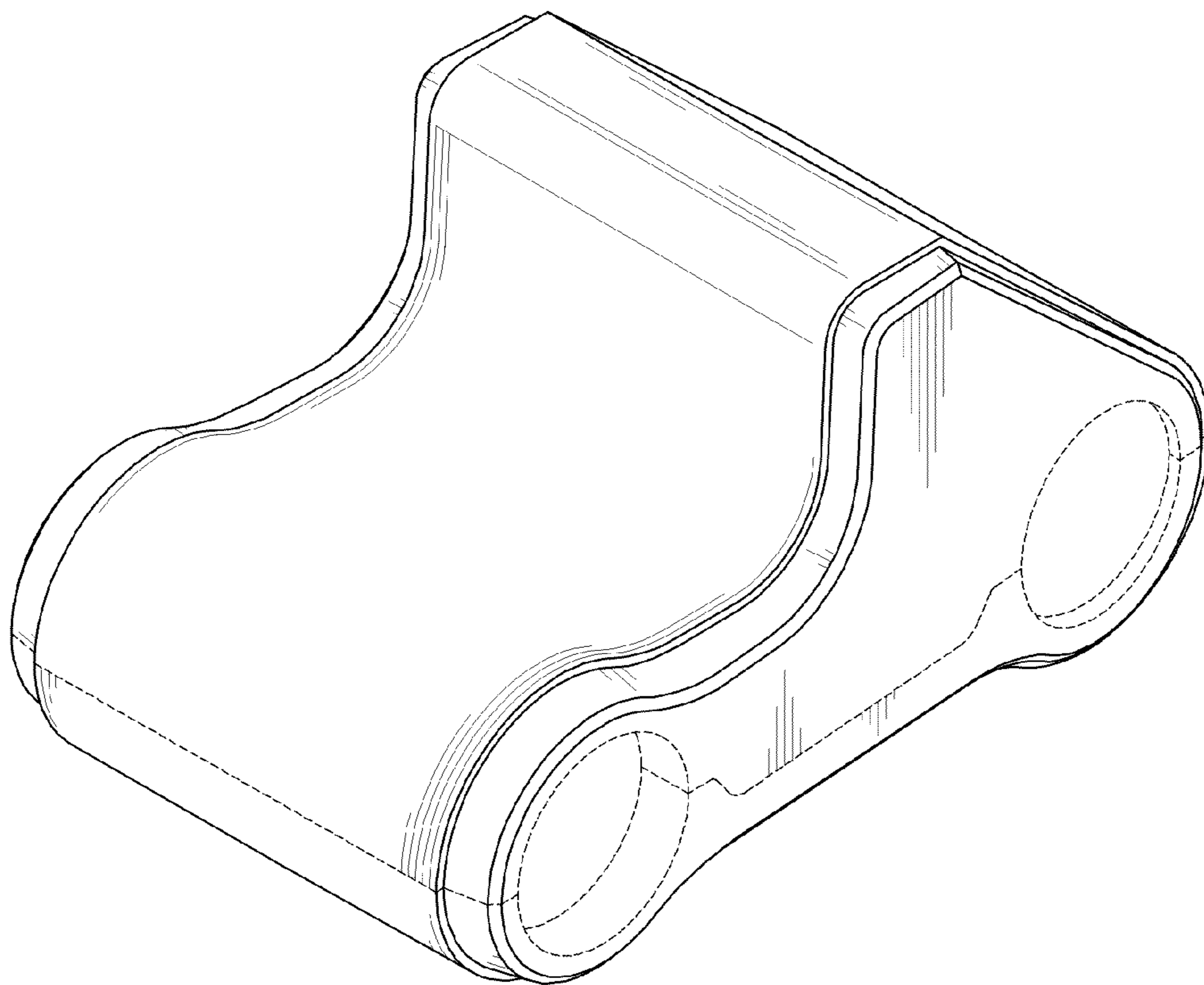


FIG. 1

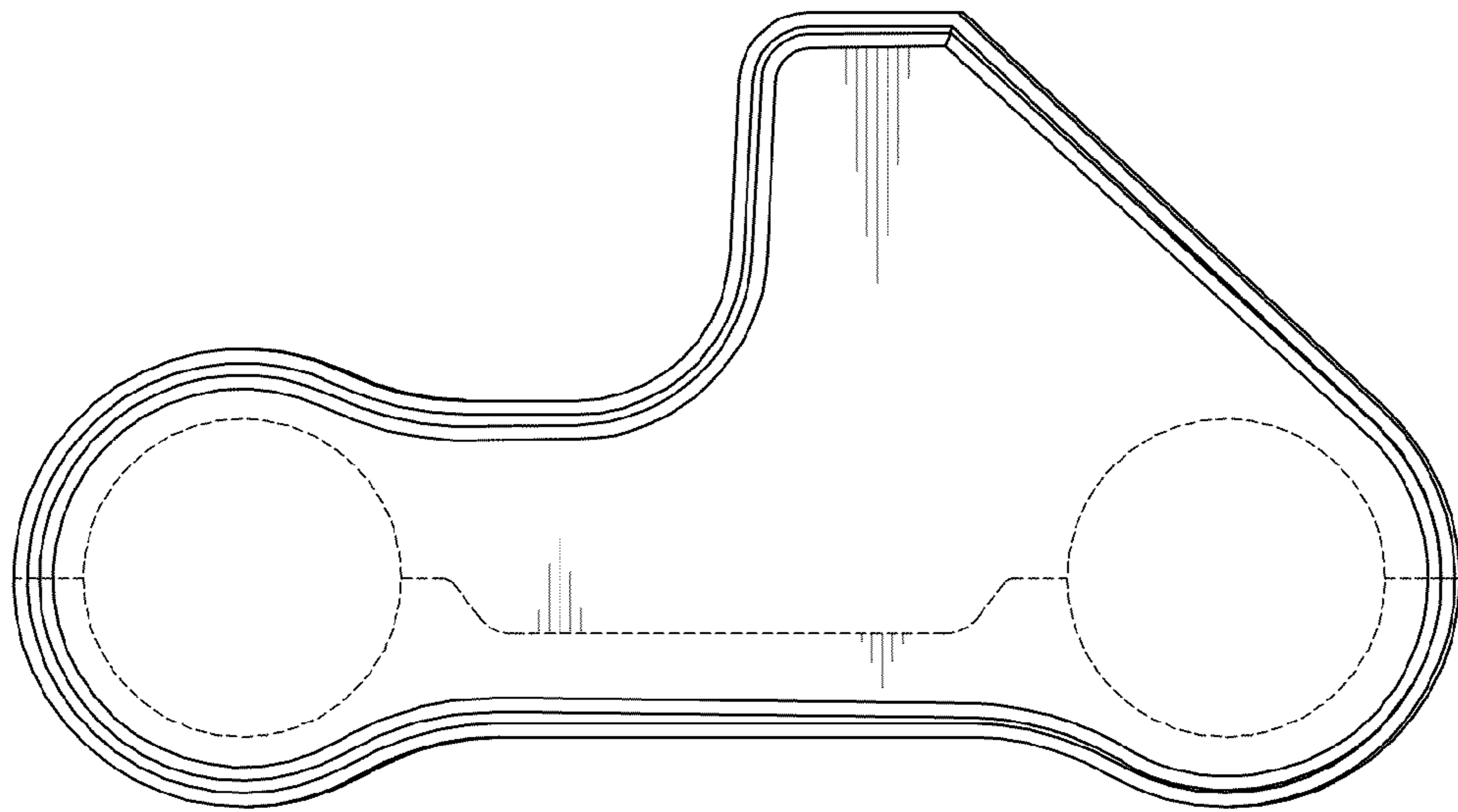


FIG. 2

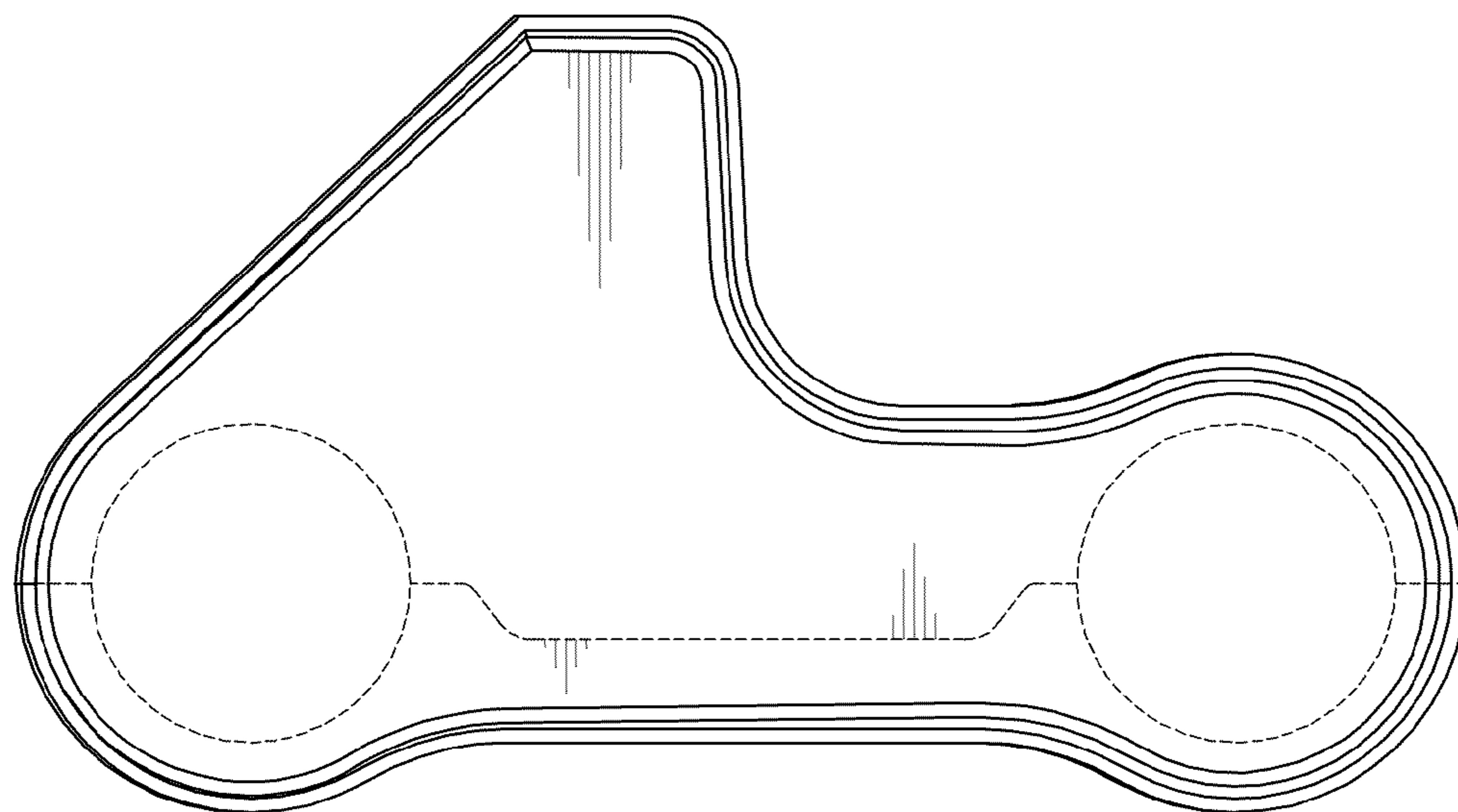


FIG. 3

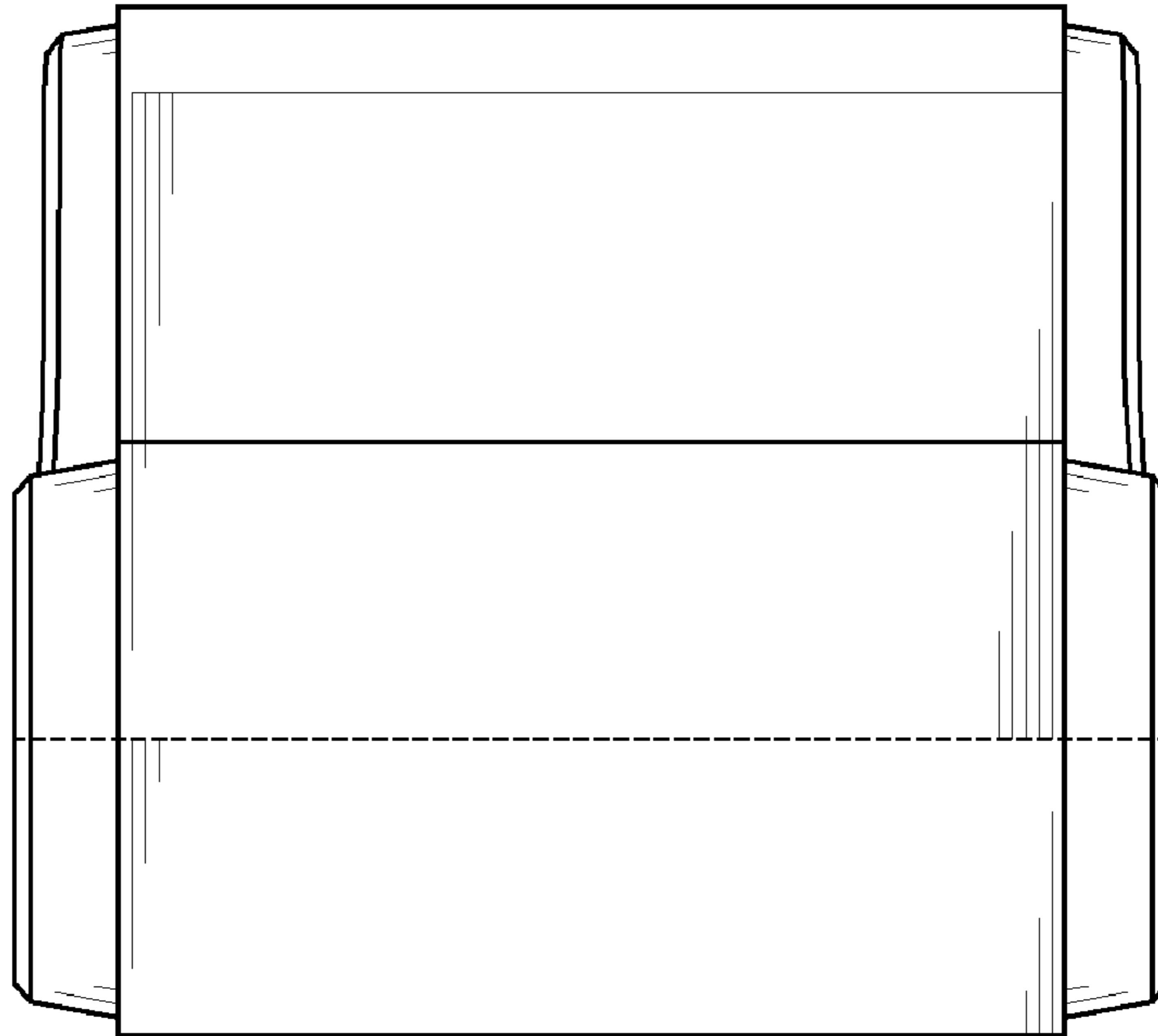


FIG. 4

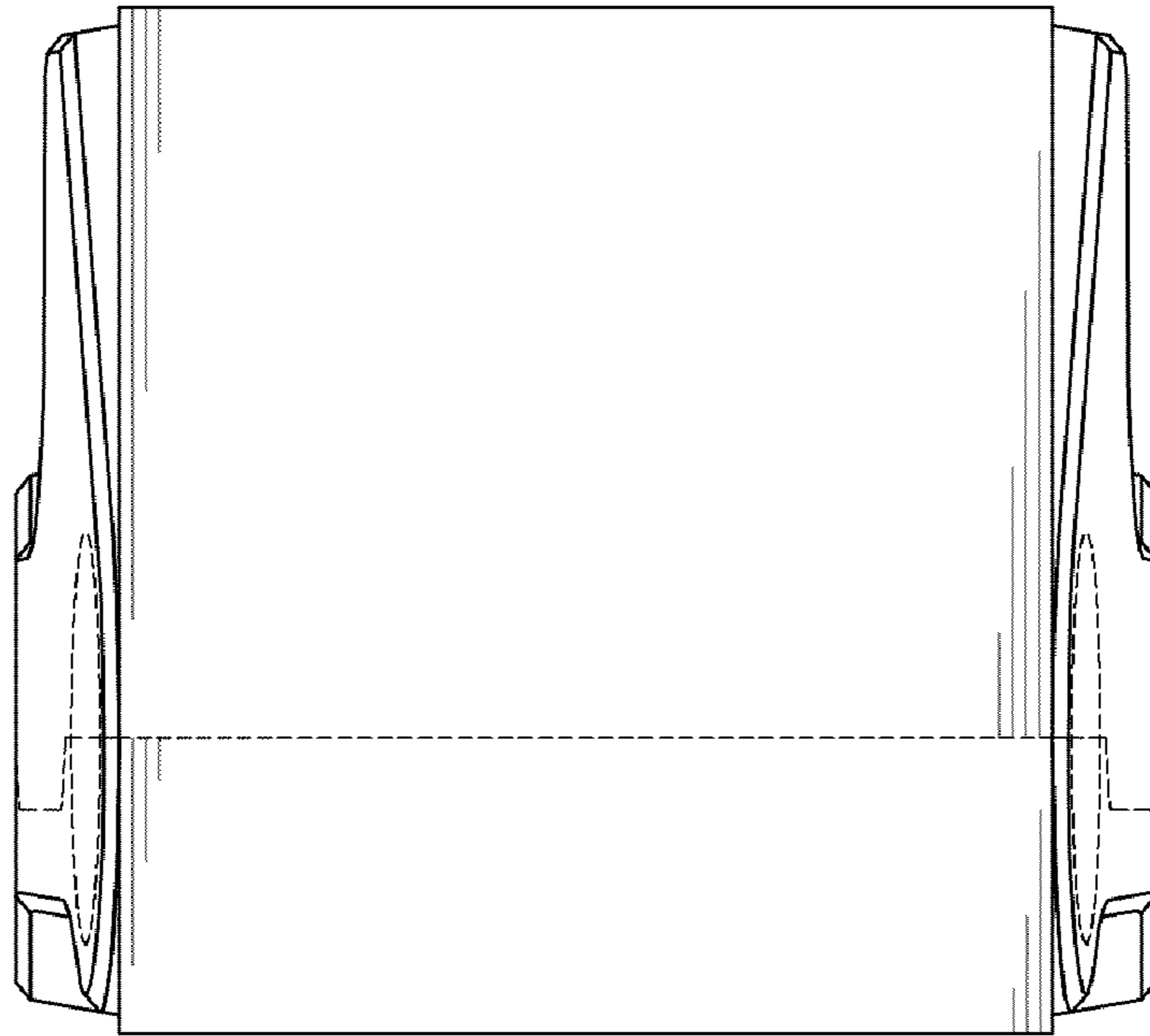


FIG. 5

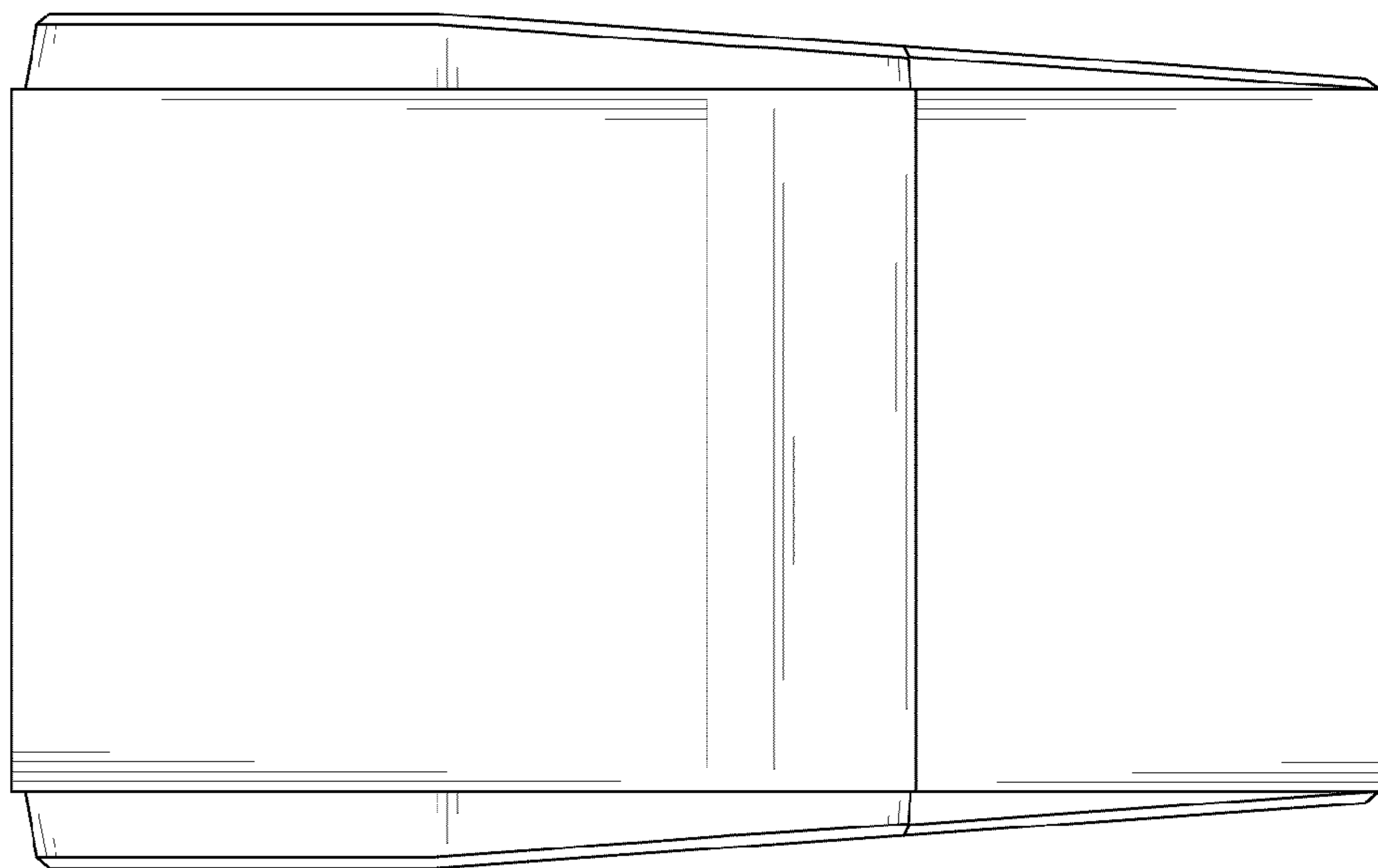


FIG. 6

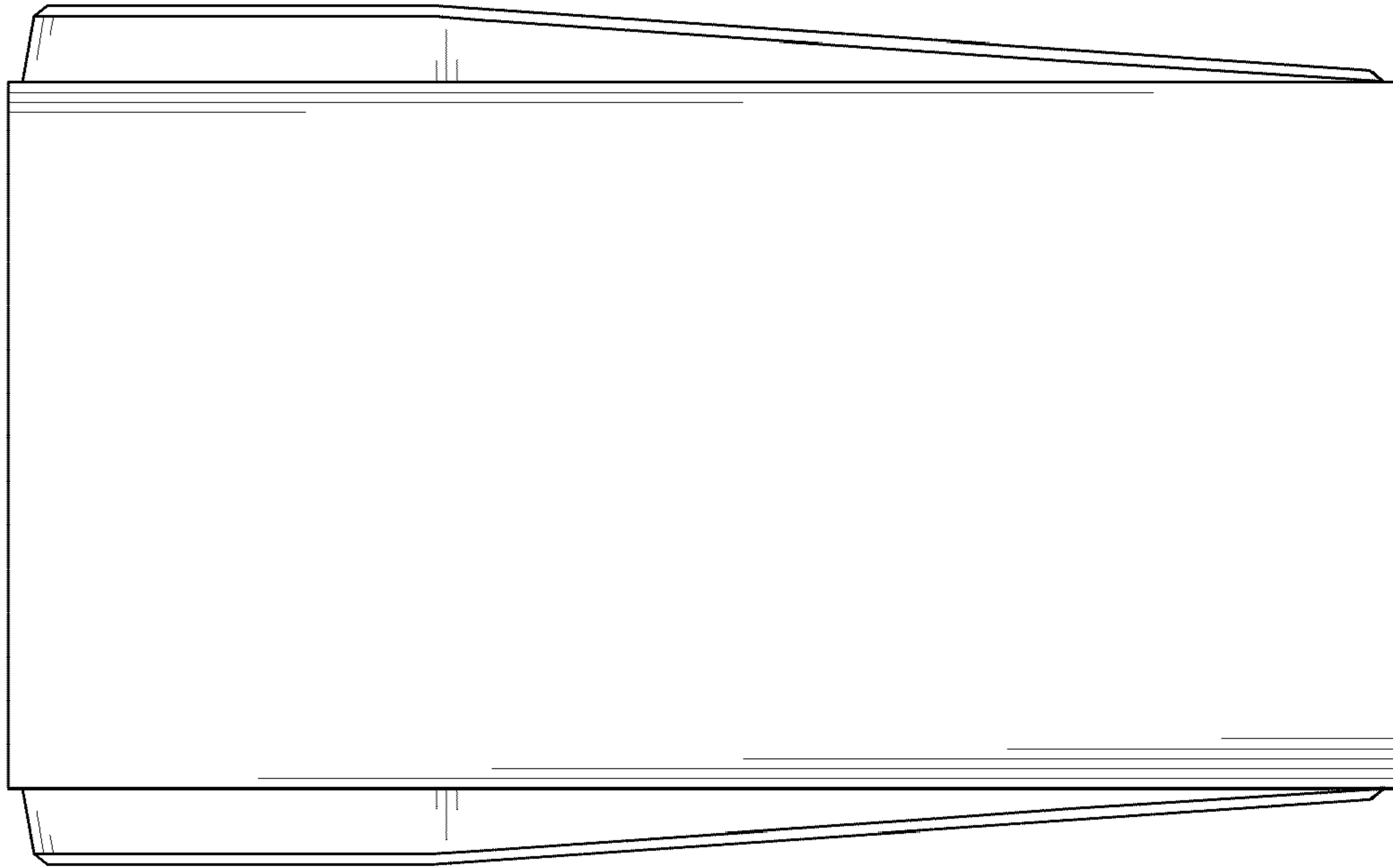


FIG. 7