



US00D652420S

(12) **United States Design Patent**
Chiu

(10) **Patent No.:** **US D652,420 S**

(45) **Date of Patent:** **** Jan. 17, 2012**

(54) **DISPLAY**

(75) **Inventor:** **Yi-Chung Chiu**, Taoyuan (TW)

(73) **Assignee:** **Hannspree, Inc.**, Taipei County (TW)

(**) **Term:** **14 Years**

(21) **Appl. No.:** **29/396,412**

(22) **Filed:** **Jun. 29, 2011**

(51) **LOC (9) Cl.** **14-02**

(52) **U.S. Cl.** **D14/371**

(58) **Field of Classification Search** D14/371-375,
D14/125-129, 336, 337; 341/12; 345/104,
345/156, 168, 173; 348/180, 184, 325, 739;
349/1, 2, 11, 62; 361/679.06, 679.21; D6/300,
D6/308

See application file for complete search history.

(56) **References Cited**

U.S. PATENT DOCUMENTS

D483,368 S * 12/2003 Olson et al. D14/375
D496,047 S * 9/2004 Hoehn D14/375

D537,079 S * 2/2007 Park D14/375
D541,278 S * 4/2007 Hsu et al. D14/375
D604,734 S * 11/2009 Leonard et al. D14/374
2003/0189155 A1 * 10/2003 Serbinski et al. 248/371
2006/0237599 A1 * 10/2006 Ternus et al. 248/176.1

* cited by examiner

Primary Examiner — Freda S Nunn

(74) *Attorney, Agent, or Firm* — Schmeiser Olsen & Watts
LLP

(57) **CLAIM**

The ornamental design for a display, as shown and described.

DESCRIPTION

FIG. 1 is a front perspective view of display showing my new design;

FIG. 2 is a front elevational view thereof;

FIG. 3 is a rear elevational view thereof;

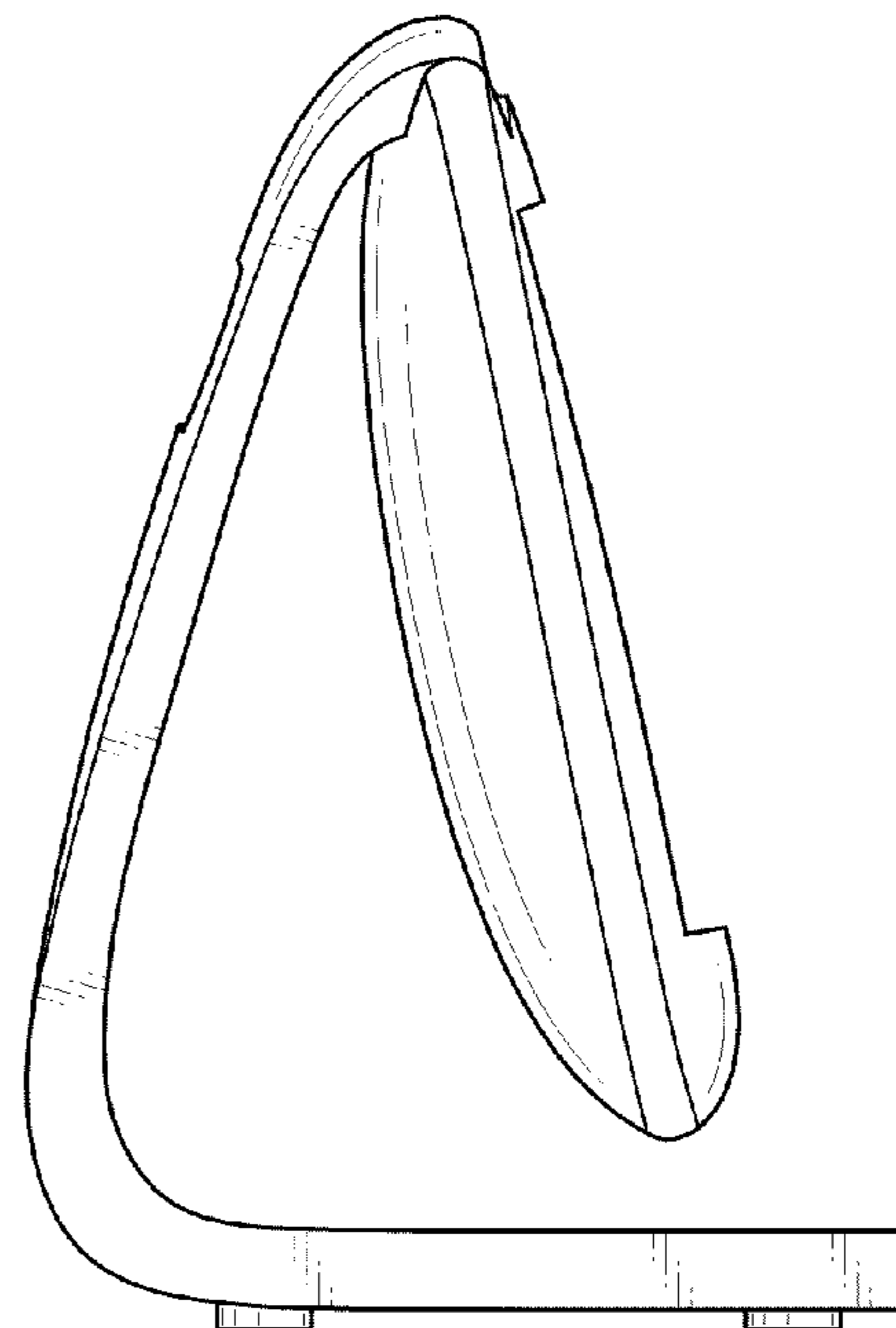
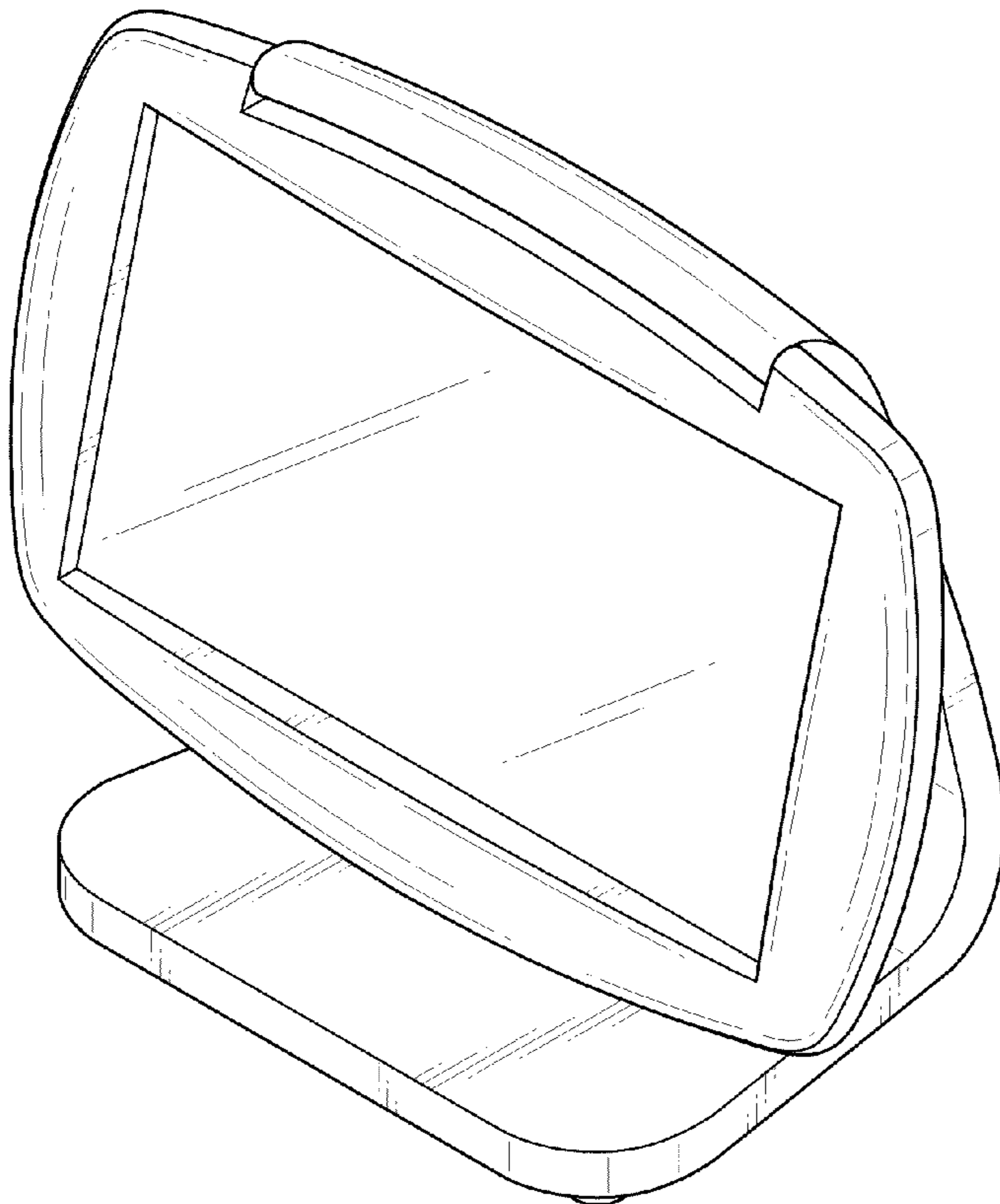
FIG. 4 is a left side elevational view thereof;

FIG. 5 is a right side elevational view thereof;

FIG. 6 is a top plan view thereof; and,

FIG. 7 is a bottom plan view thereof.

1 Claim, 4 Drawing Sheets



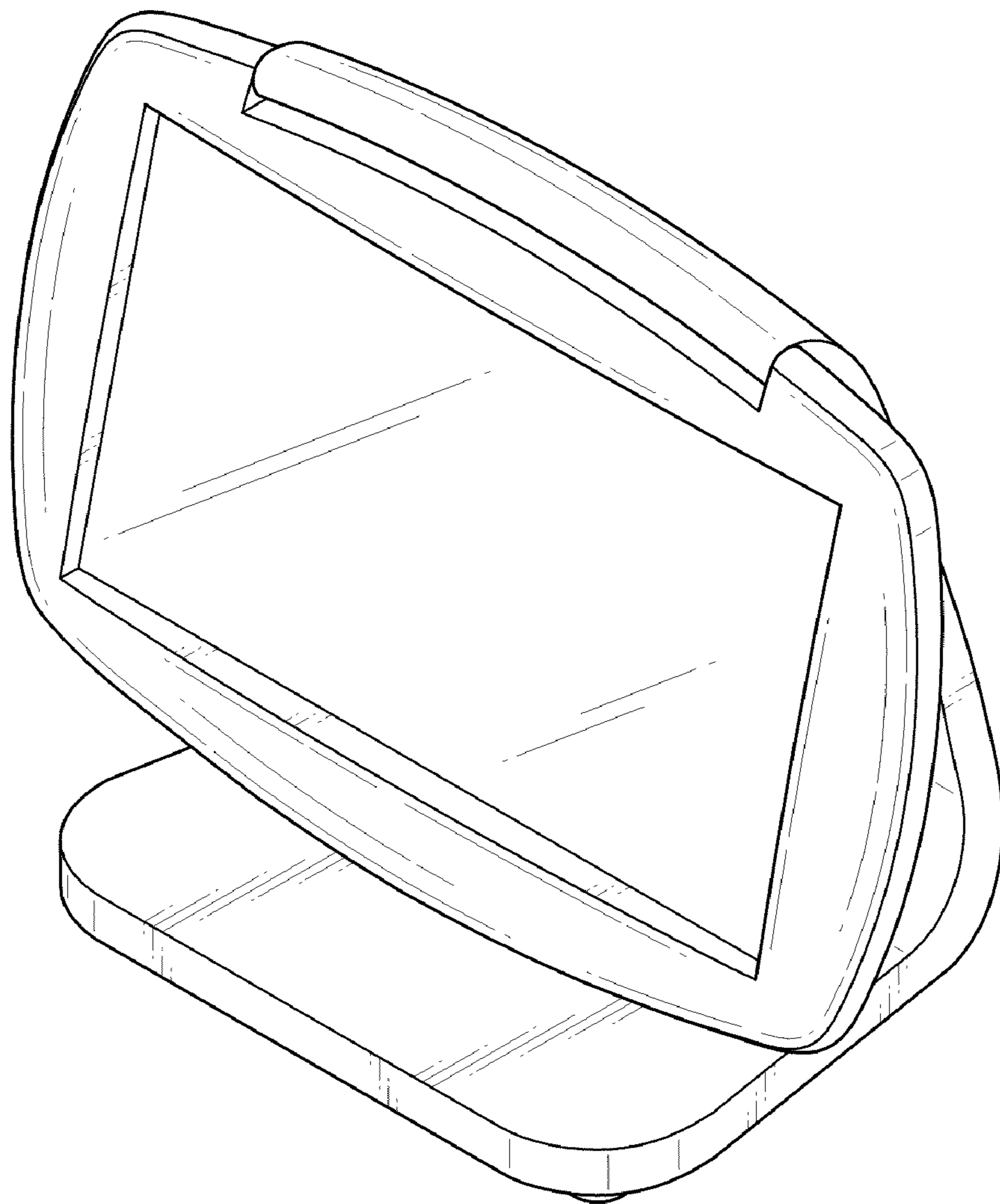


FIG.1

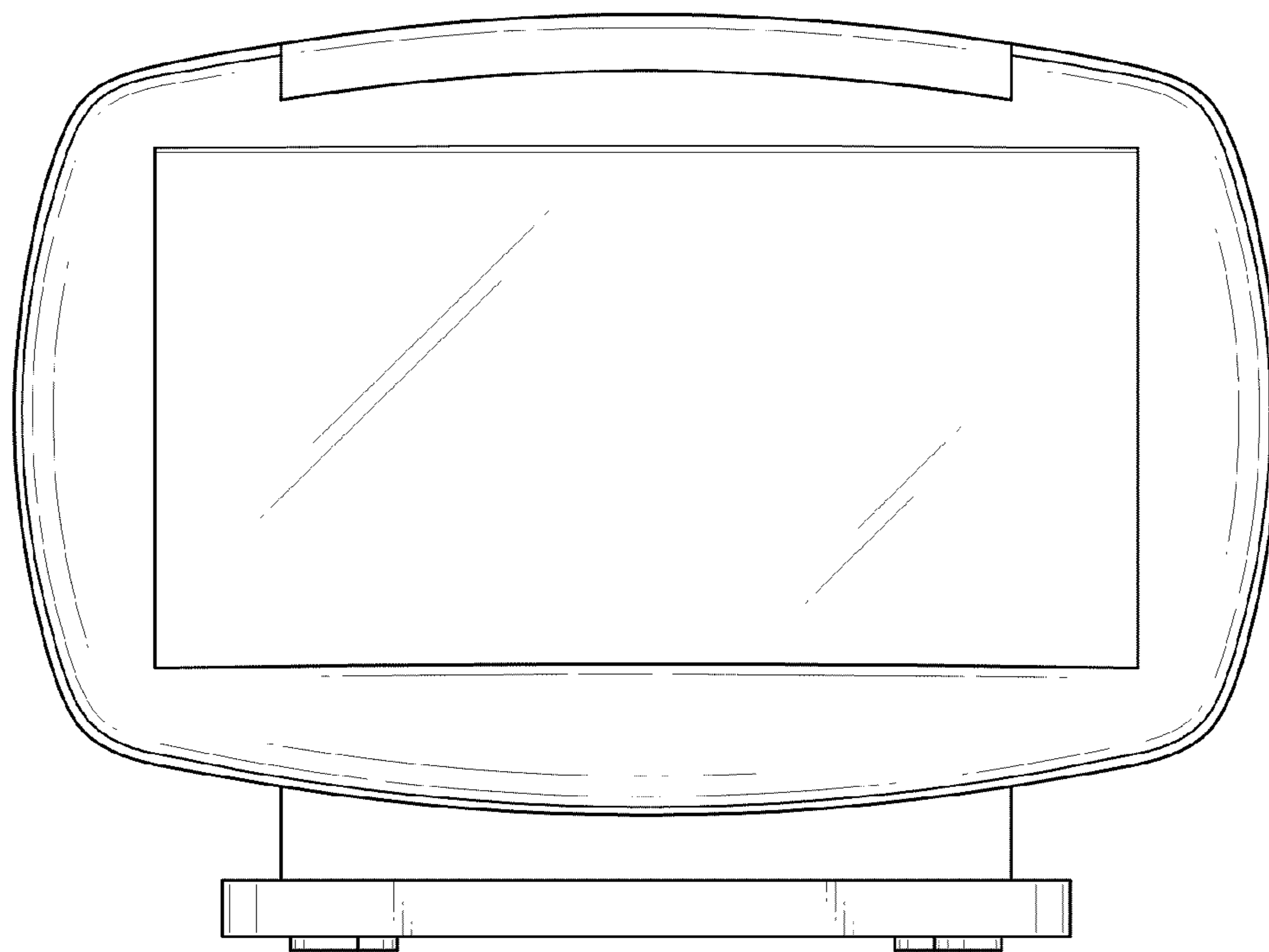


FIG. 2

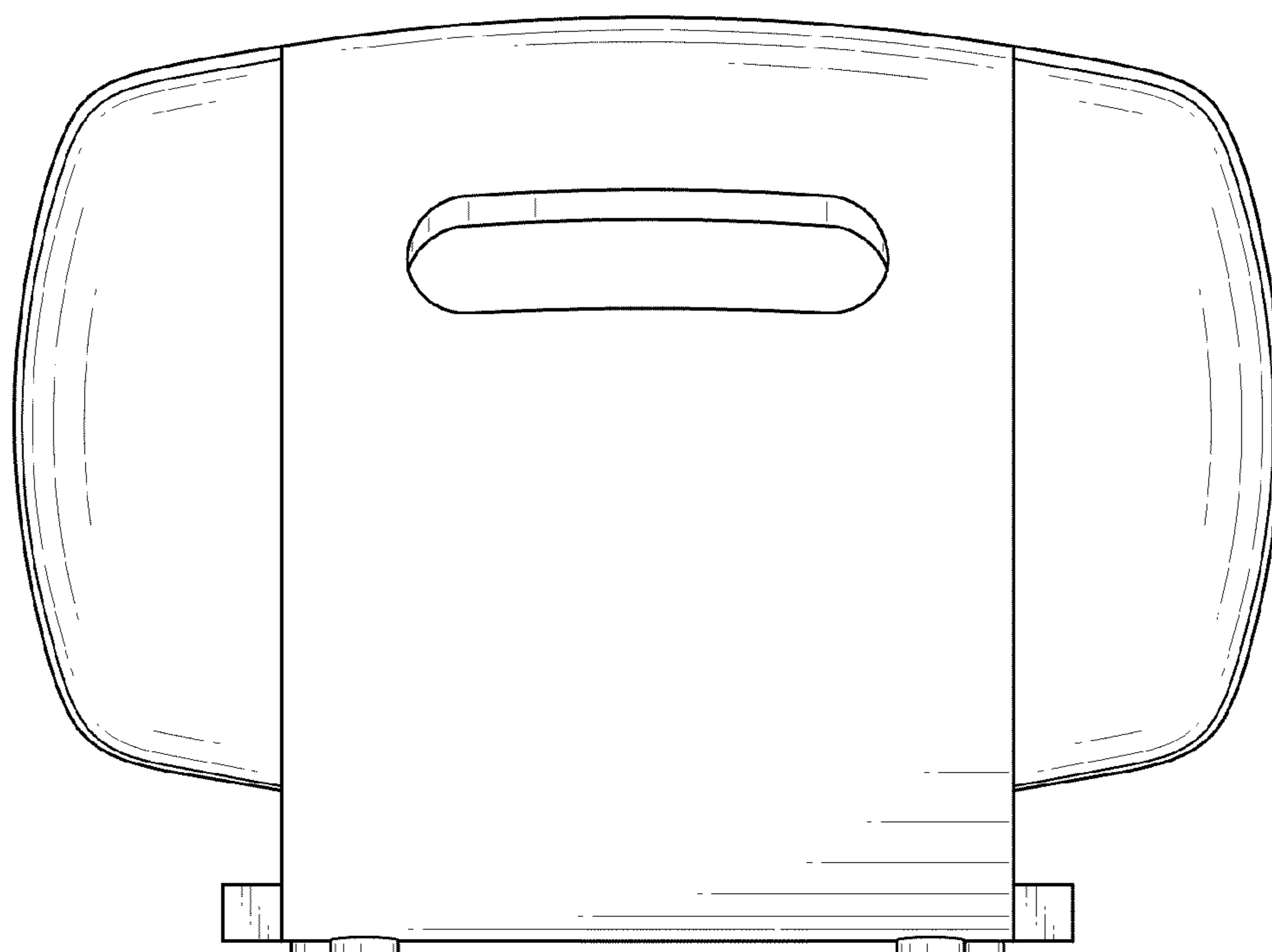


FIG. 3

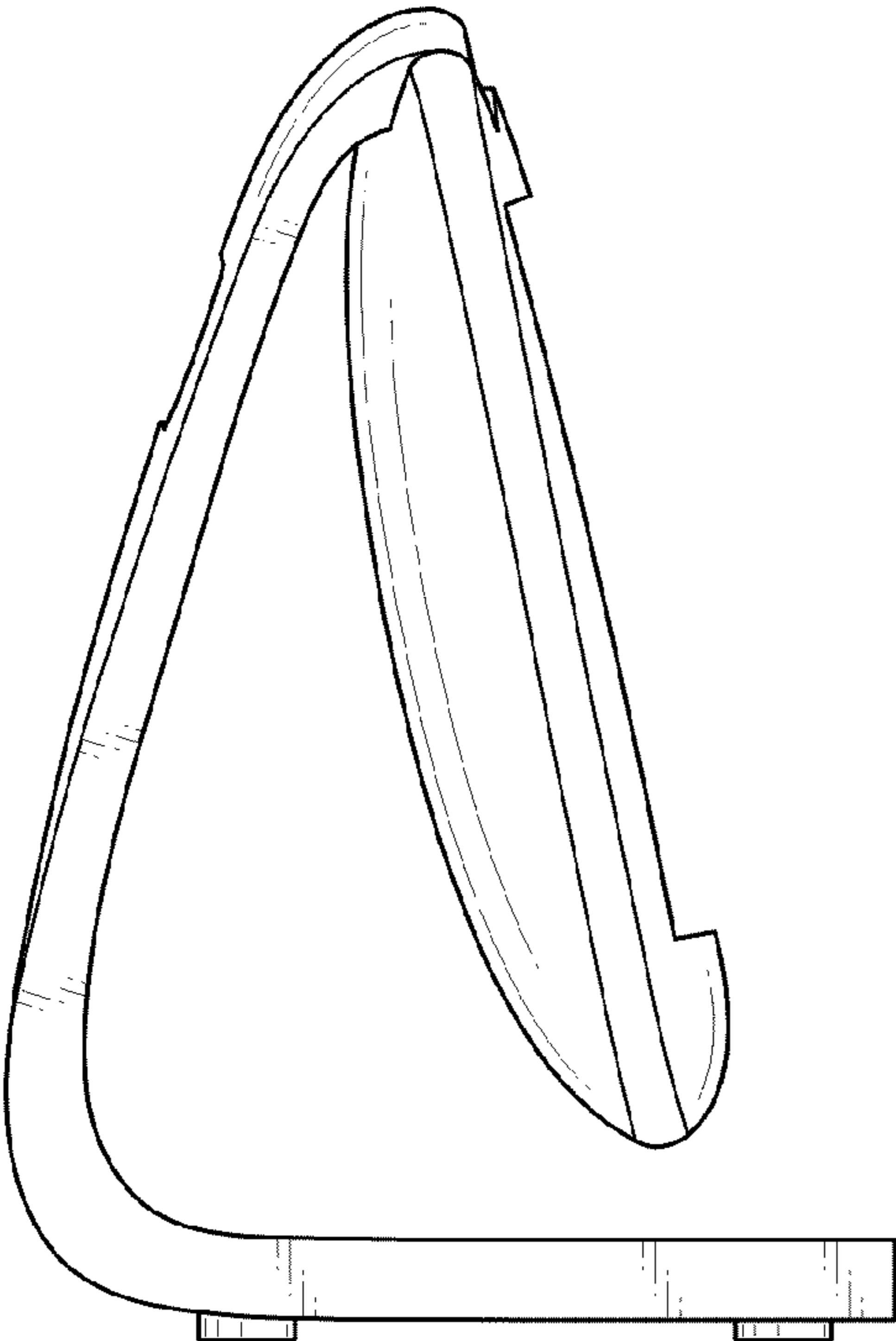


FIG.4

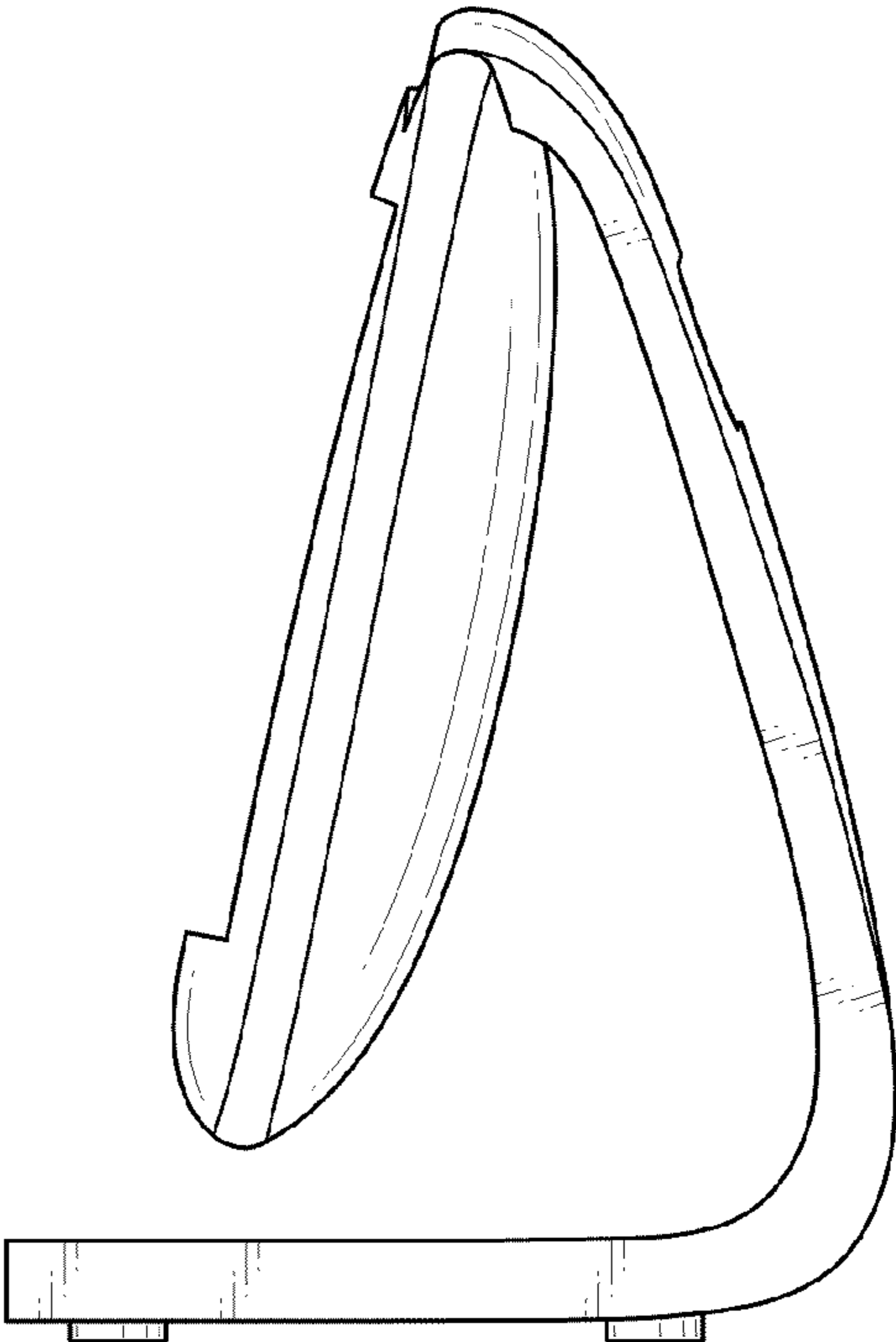


FIG.5

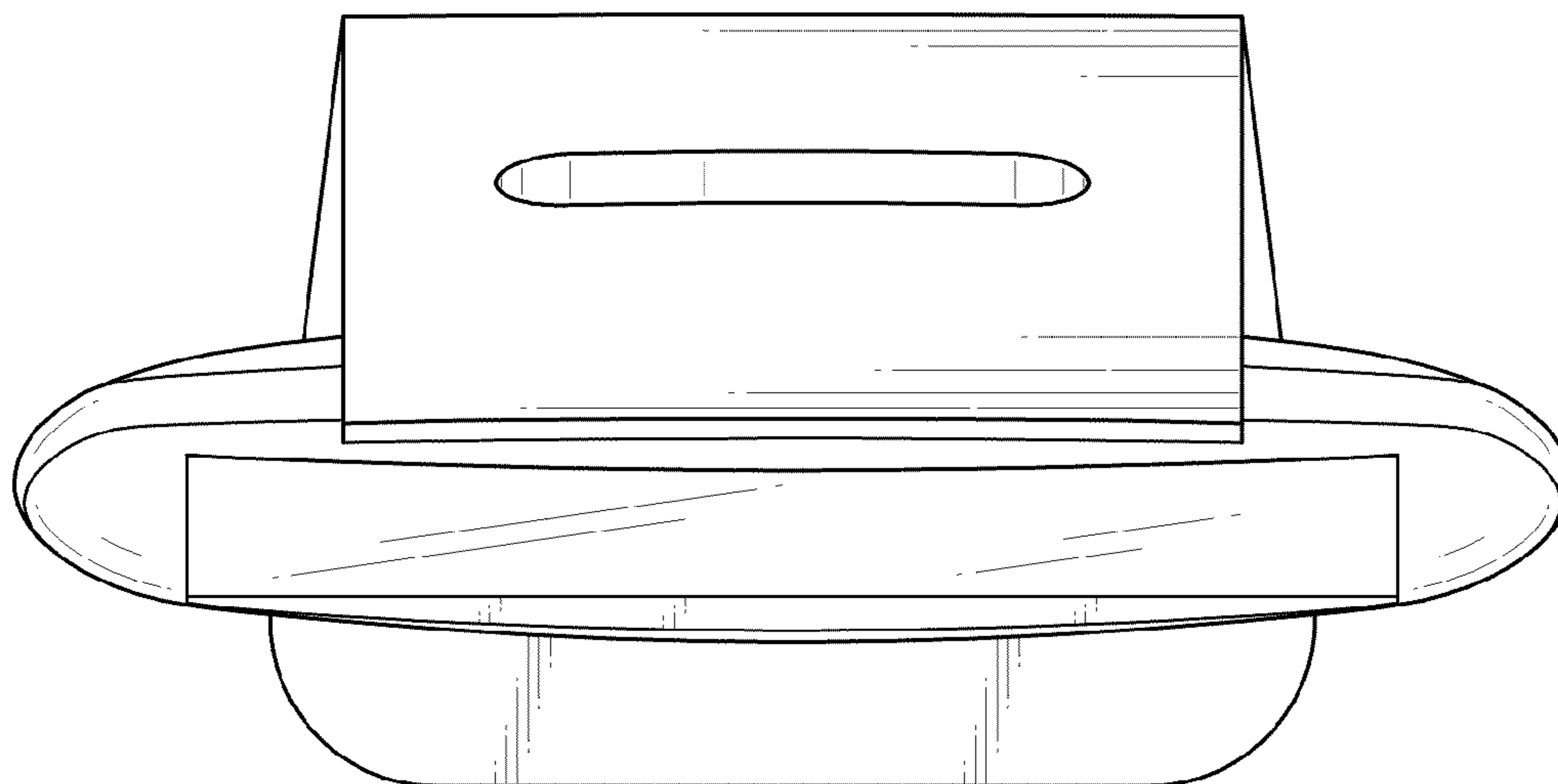


FIG. 6

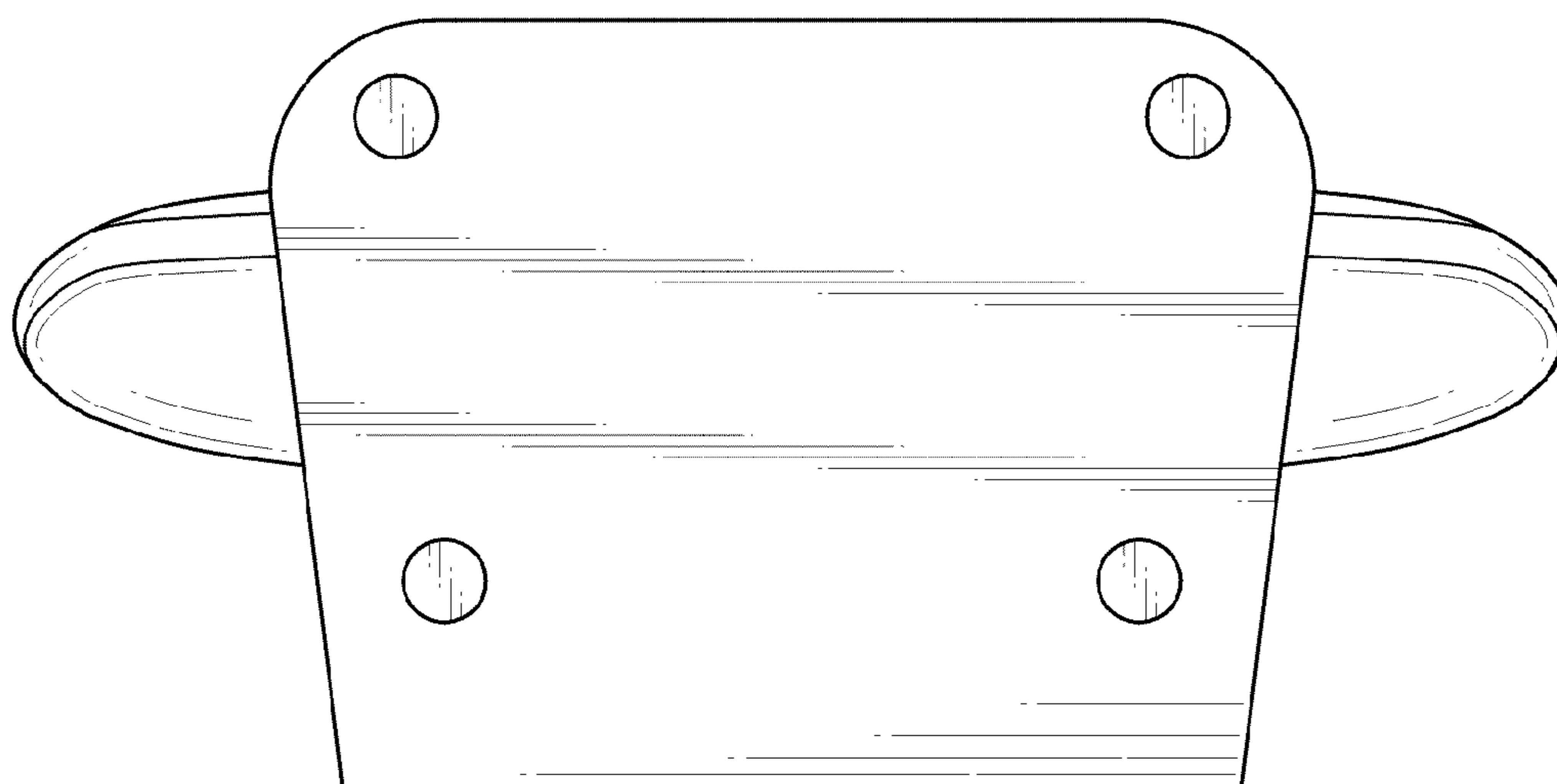


FIG. 7