



US00D652414S

(12) **United States Design Patent**  
**Morisawa**

(10) **Patent No.:** **US D652,414 S**  
(45) **Date of Patent:** **\*\* Jan. 17, 2012**

(54) **COMPUTER**

(75) Inventor: **Yujin Morisawa**, Tokyo (JP)

(73) Assignee: **Sony Corporation**, Tokyo (JP)

(\*\*) Term: **14 Years**

(21) Appl. No.: **29/347,500**

(22) Filed: **Feb. 12, 2010**

(30) **Foreign Application Priority Data**

Aug. 10, 2009 (CN) ..... 2009 3 0190315  
Aug. 21, 2009 (JP) ..... D2009-019200

(51) **LOC (9) Cl.** ..... **14-02**

(52) **U.S. Cl.** ..... **D14/315**

(58) **Field of Classification Search** ..... D14/315-327;  
D18/1, 2, 7, 11; 235/145 A, 145 R; 341/22,  
341/23; 345/156, 157, 168, 169, 173; 361/679.27,  
361/679.09; 348/373; 715/783

See application file for complete search history.

(56) **References Cited**

**U.S. PATENT DOCUMENTS**

6,067,224	A *	5/2000	Nobuchi	.....	361/679.27
D467,915	S	12/2002	Wada		
6,519,139	B2 *	2/2003	Kambayashi	.....	361/679.09
D478,332	S	8/2003	Wada		
D510,737	S	10/2005	Yokota		
D540,319	S	4/2007	Iseki		
D578,525	S *	10/2008	Yoon	.....	D14/319
D586,343	S *	2/2009	Lee et al.	.....	D14/315
D586,797	S *	2/2009	Kawase et al.	.....	D14/315
D587,701	S *	3/2009	Yoon	.....	D14/318
D594,860	S	6/2009	Iseki		
2005/0018396	A1 *	1/2005	Nakajima et al.	.....	361/683
2006/0038795	A1 *	2/2006	Lee	.....	345/173

**FOREIGN PATENT DOCUMENTS**

JP D1326207 S 4/2008

\* cited by examiner

*Primary Examiner* — Freda S Nunn

(74) *Attorney, Agent, or Firm* — Rader, Fishman & Grauer PLLC

(57) **CLAIM**

The ornamental design for a computer, as shown and described.

**DESCRIPTION**

FIG. 1 is a front, top, right perspective view of a computer showing my new design, wherein the display portion is in the closed position;

FIG. 2 is a front elevational view thereof;

FIG. 3 is a left side elevational view thereof;

FIG. 4 is a right side elevational view thereof; and

FIG. 5 is a perspective view thereof, wherein the display portion is in the open position.

FIG. 6 is a cross-sectional view of the embodiment of FIG. 1 taken along the line 6-6 of FIG. 2;

FIG. 7 is a cross-sectional view thereof taken along the line 7-7 of FIG. 2; and,

FIG. 8 is an enlarged partial left-side elevational view thereof, taken along the line 8-8 of FIG. 3.

The-broken lines immediately surrounding the solid lines in the figures represent boundaries of the claimed invention and are not part of the claimed design, while all other broken lines illustrate portions of the computer and form no part of the claimed design.

**1 Claim, 5 Drawing Sheets**

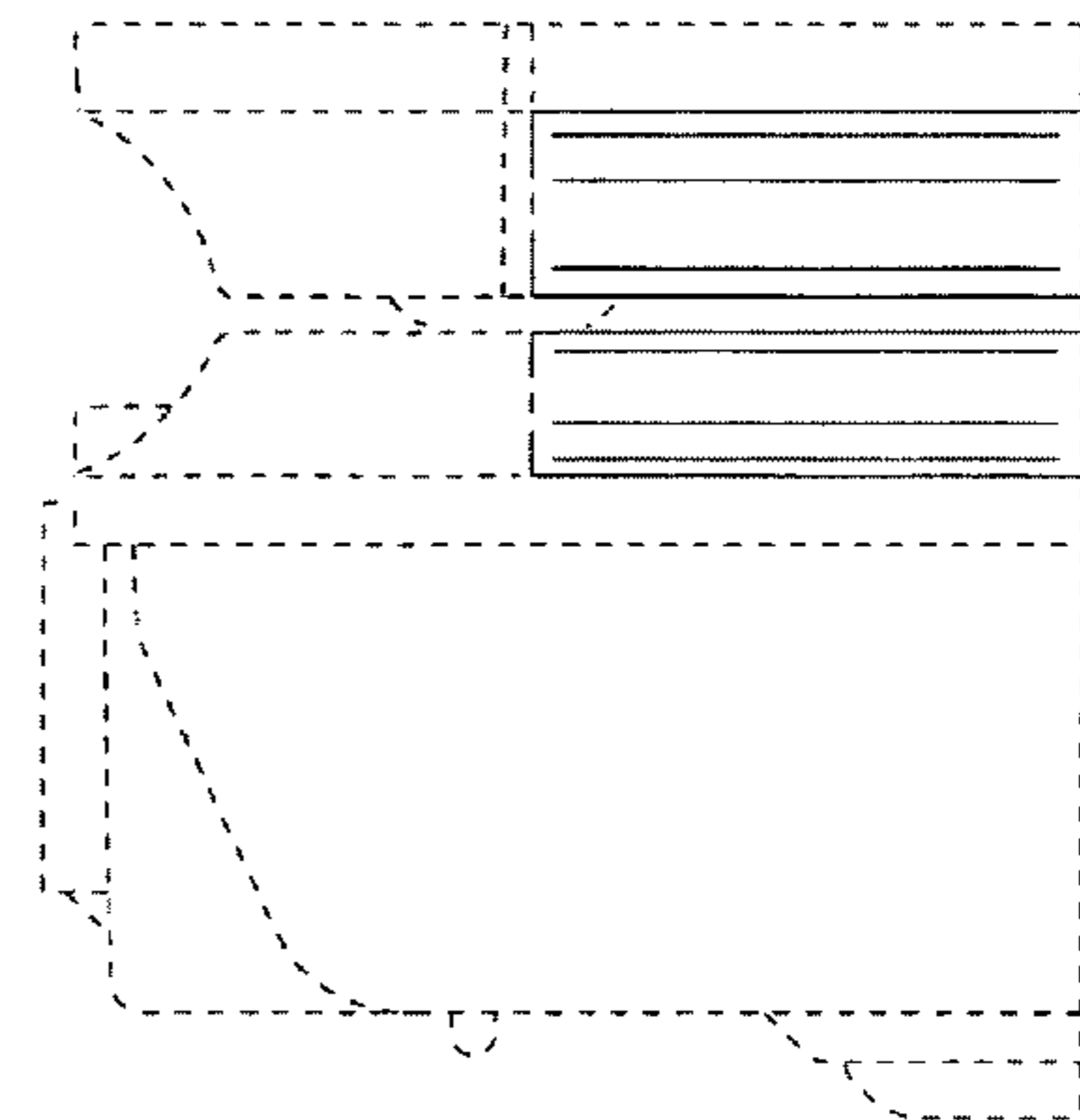
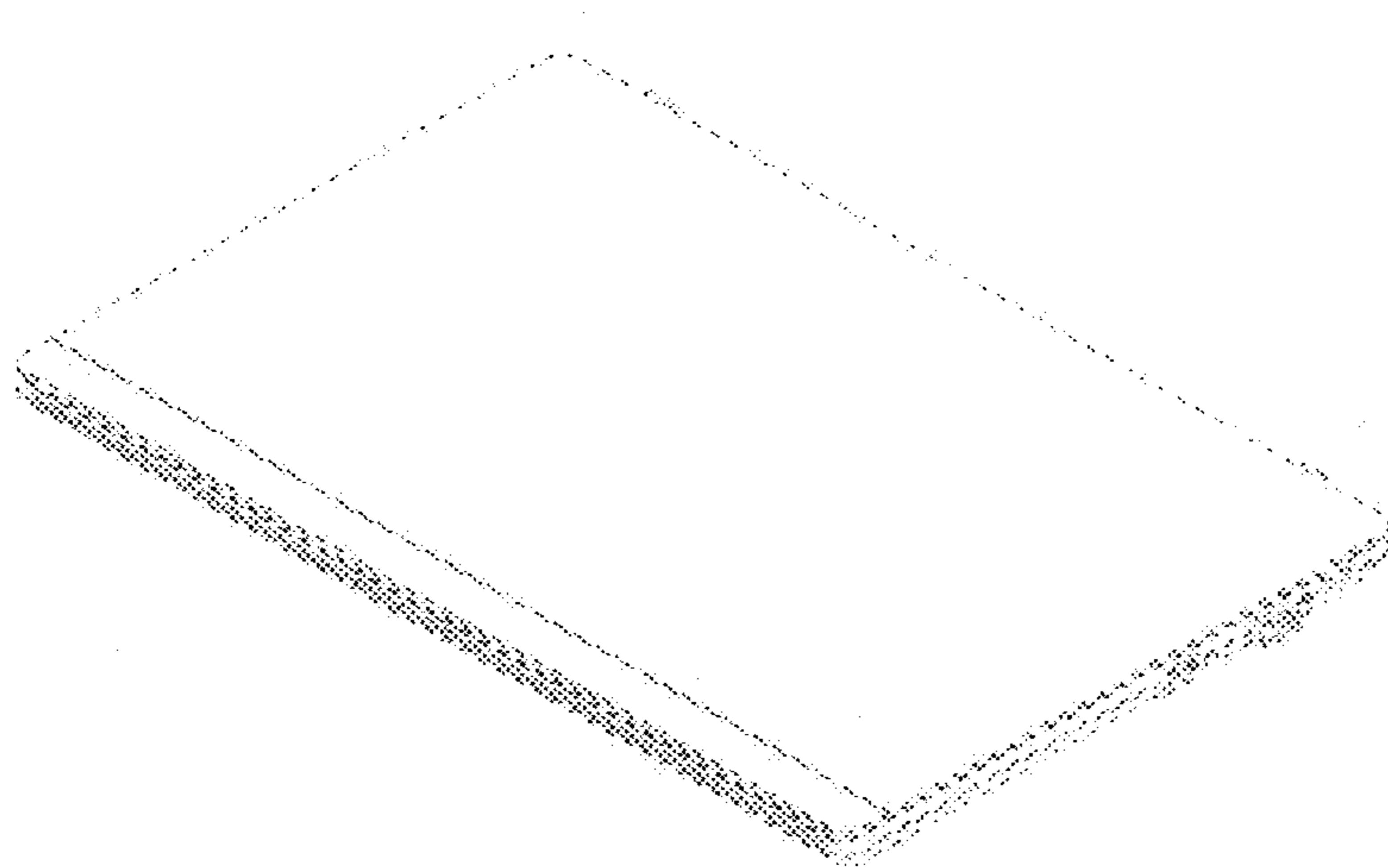


FIG. 1

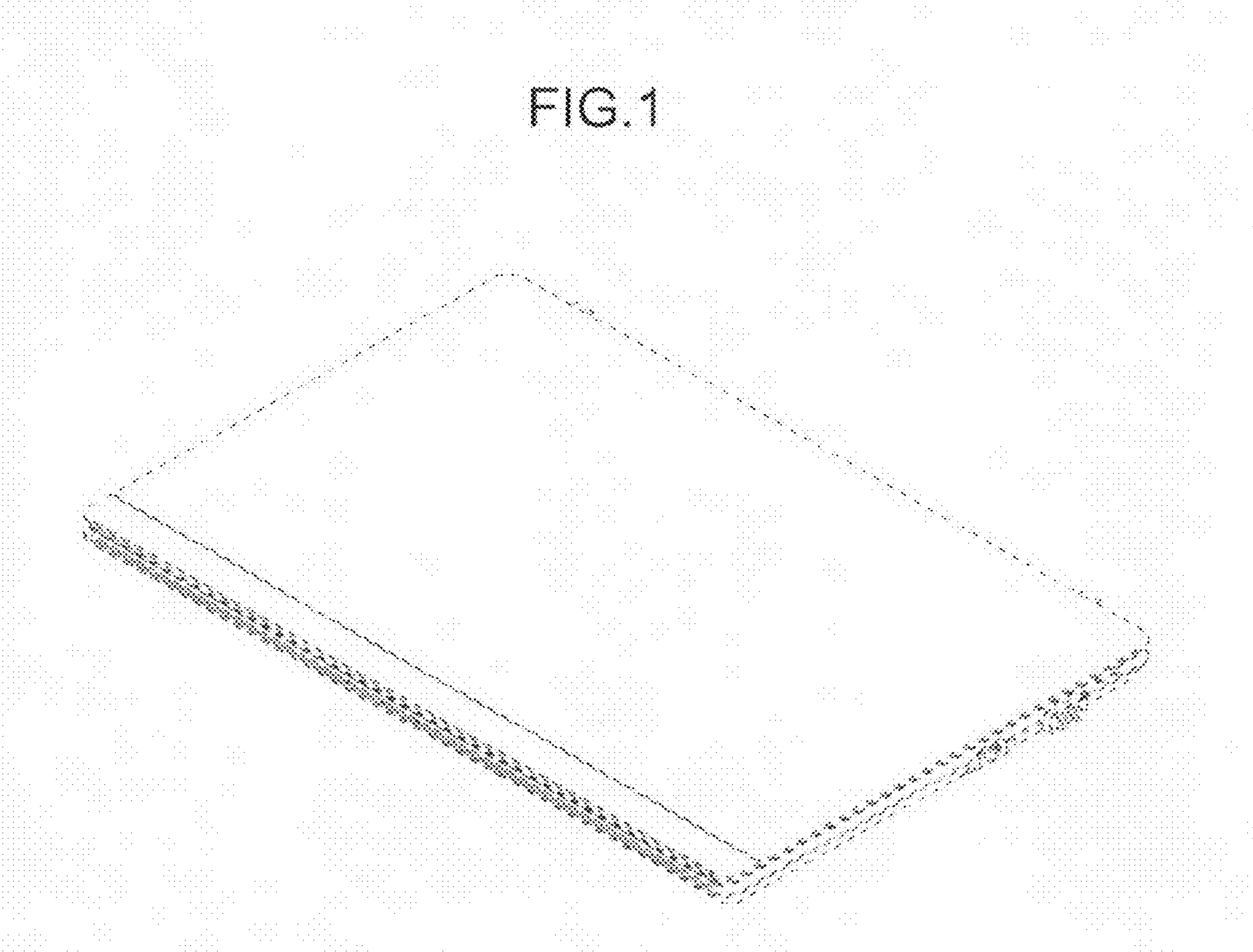


FIG.2

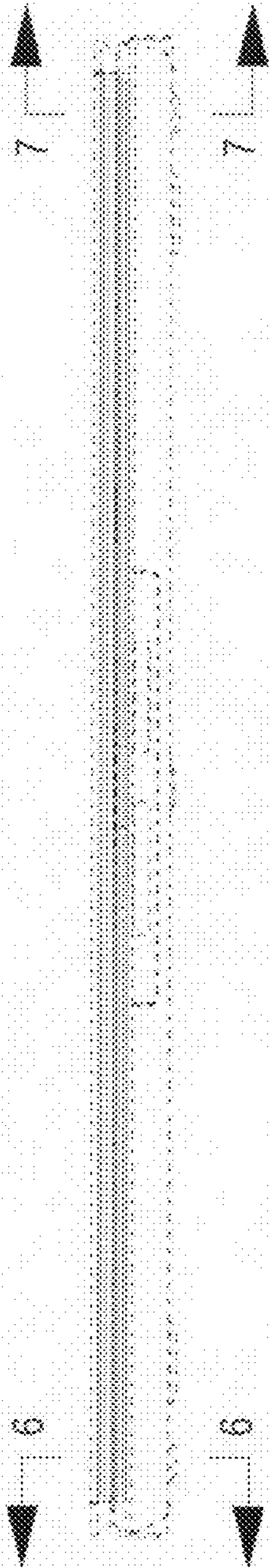


FIG.3

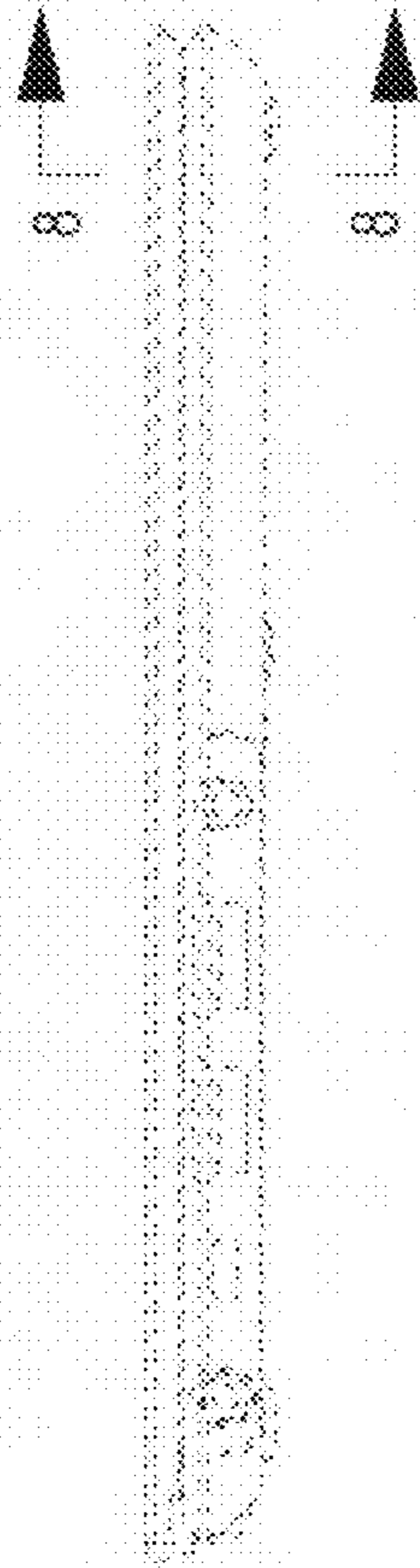


FIG.4

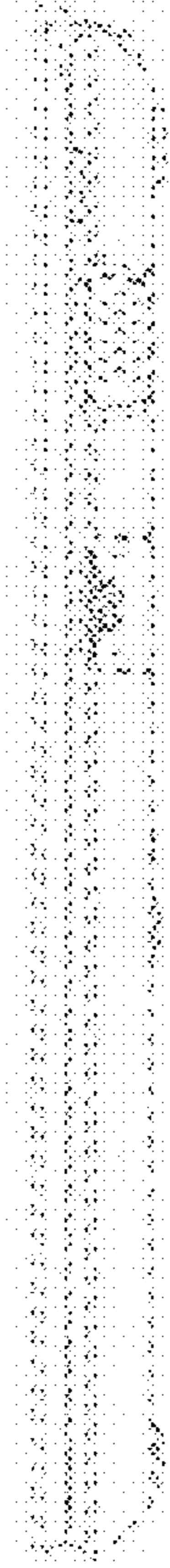


FIG. 5

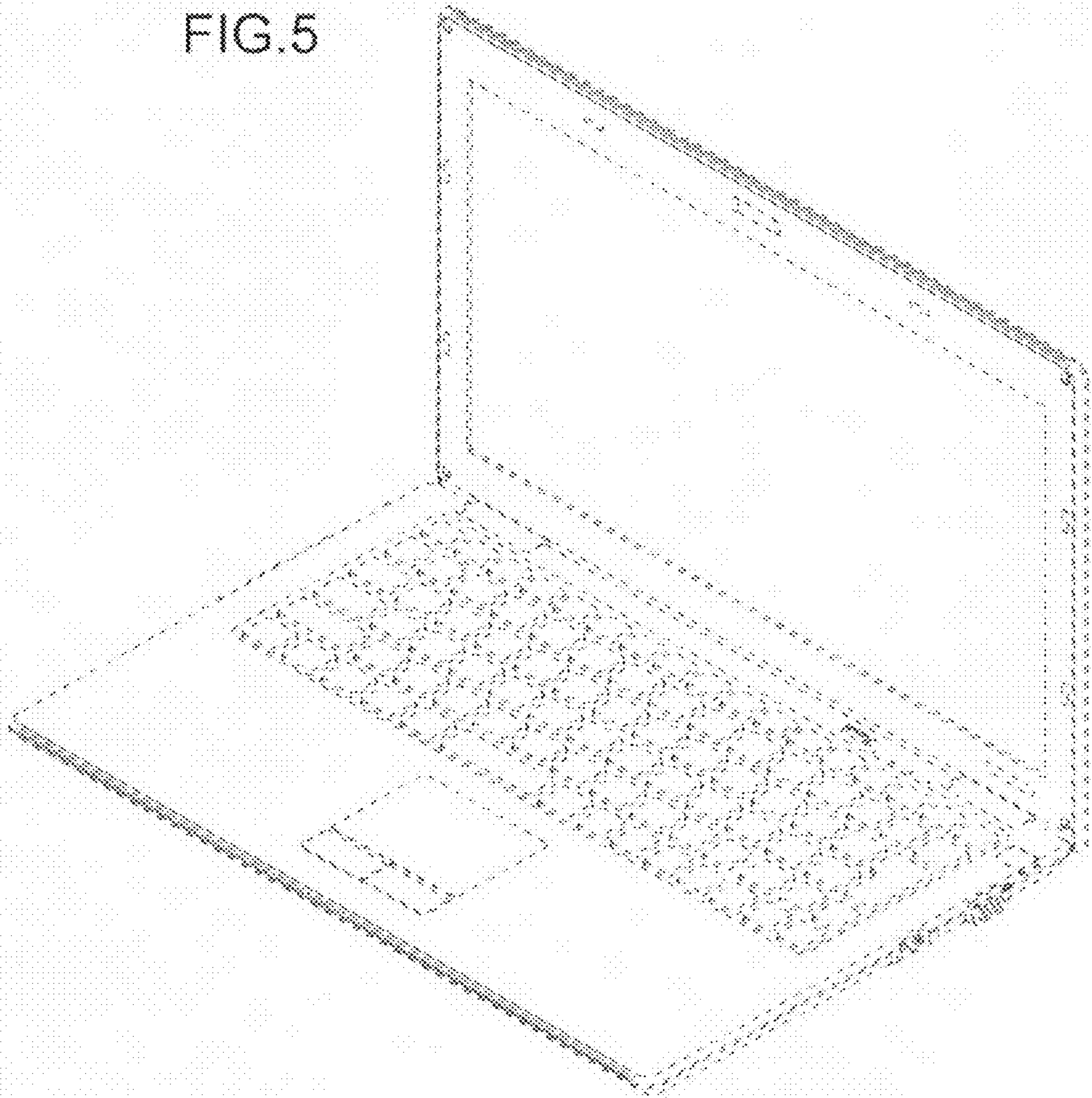


FIG.6

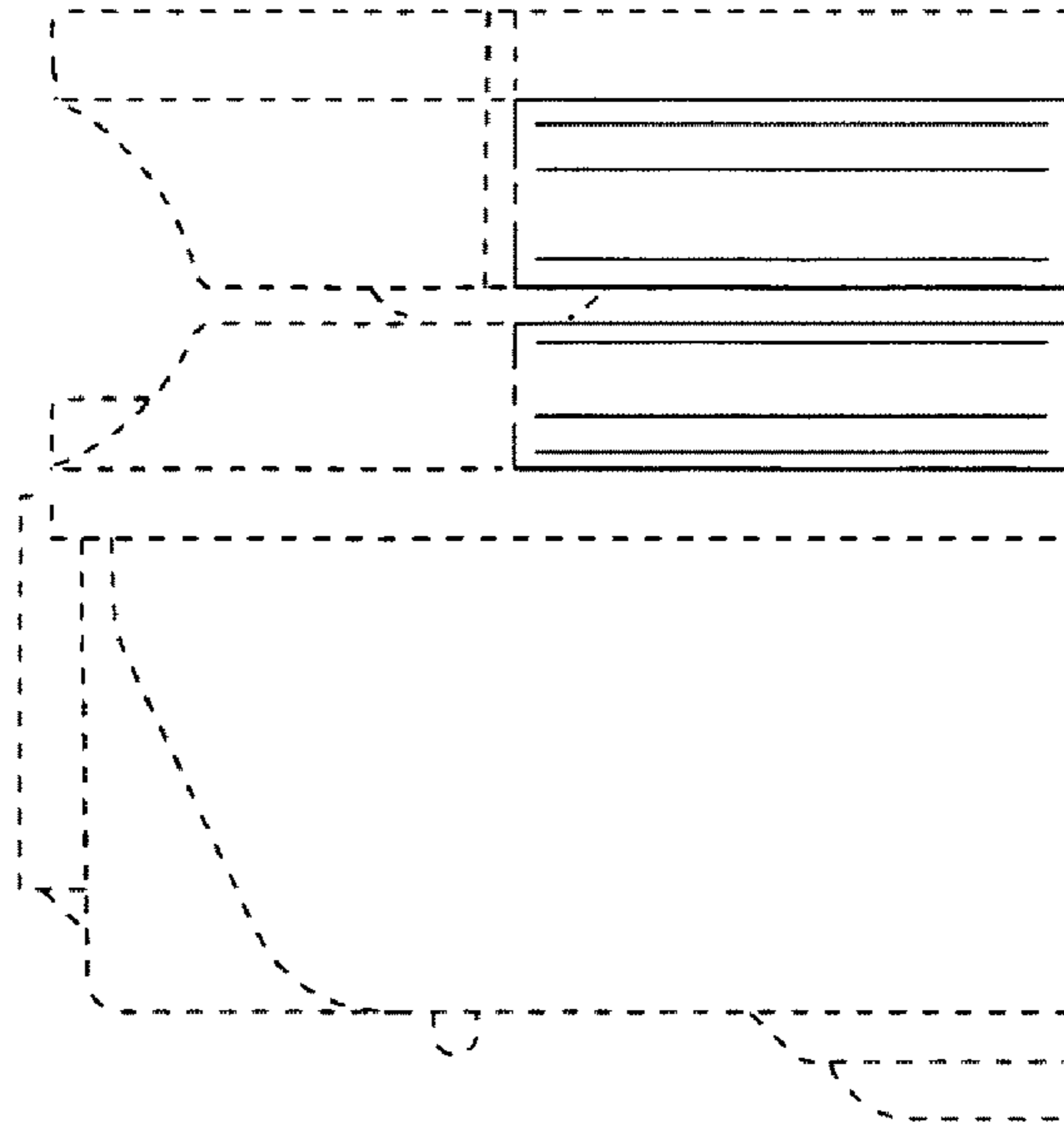


FIG.7

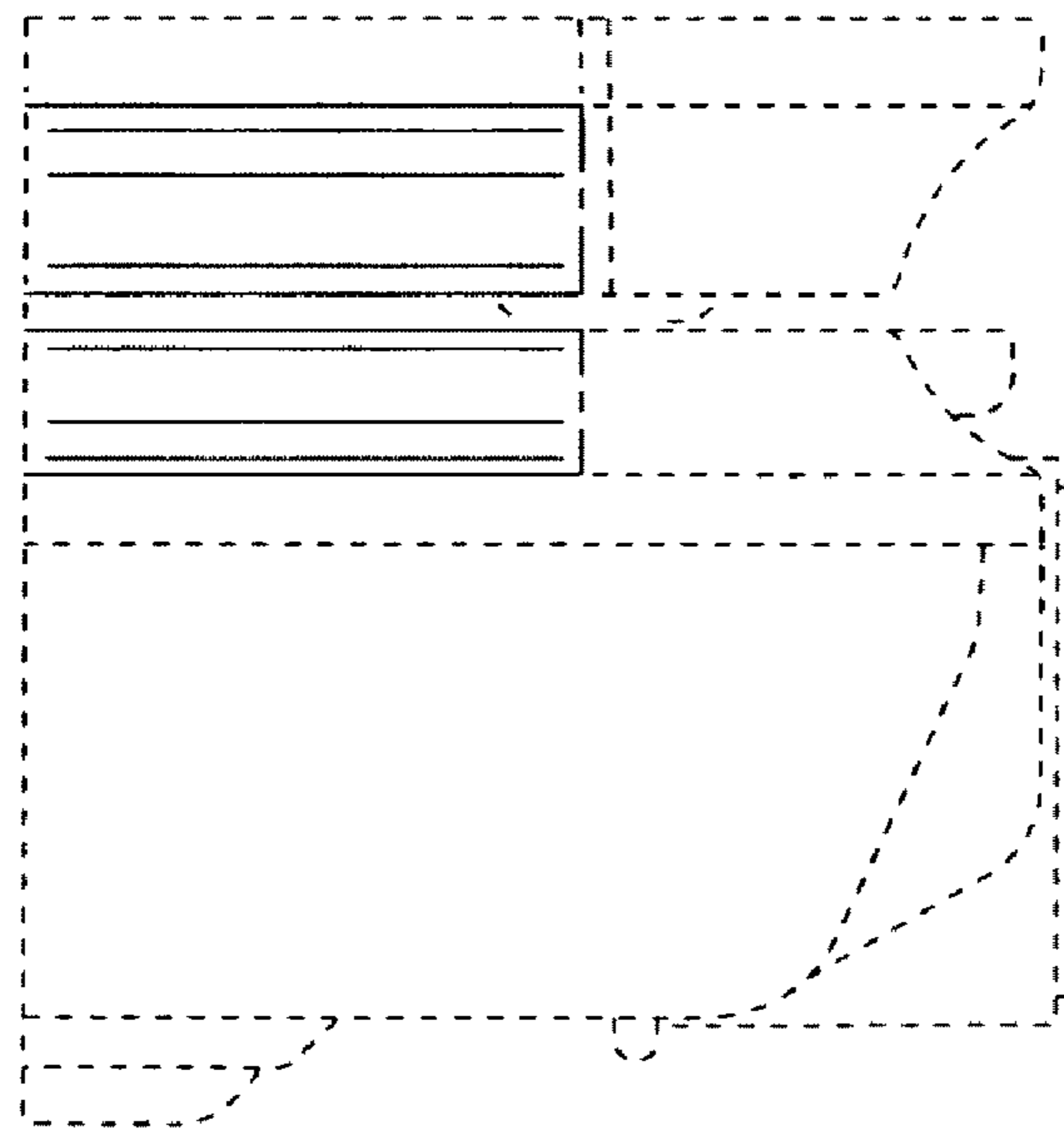


FIG.8

